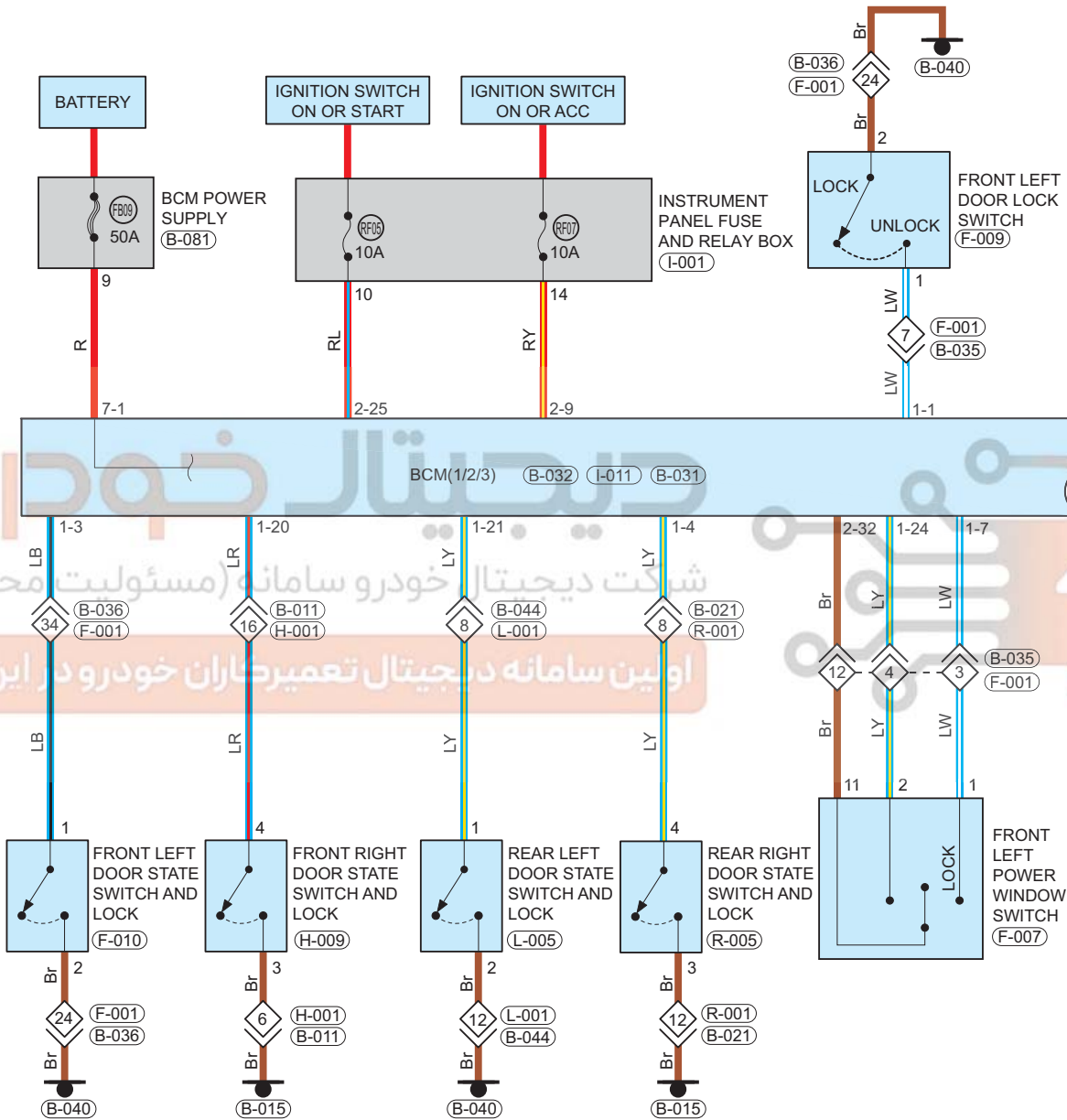


# Door Lock

Circuit Diagram (Page 1 of 2)



## 09 - SYSTEM CIRCUITS

## Parts Location

| Connector Code | See Page | Connector Code | See Page | Connector Code | See Page |
|----------------|----------|----------------|----------|----------------|----------|
| B-081          | 08-12    | I-001          | 08-8     | I-011          | 08-8     |
| B-040          | 08-12    | F-009          | 08-27    | L-005          | 08-29    |
| B-031          | 08-12    | F-010          | 08-27    | H-009          | 08-28    |
| B-032          | 08-12    | F-007          | 08-27    | R-005          | 08-30    |
| B-015          | 08-12    |                |          |                |          |

## Fuse and Relay

| Fuse/Relay | See Page | Fuse and Relay Box                    |
|------------|----------|---------------------------------------|
| FB09       | 06-2     | Engine Compartment Fuse And Relay Box |
| RF05       | 06-9     | Instrument Panel Fuse And Relay Box   |
| RF07       | 06-9     | Instrument Panel Fuse And Relay Box   |

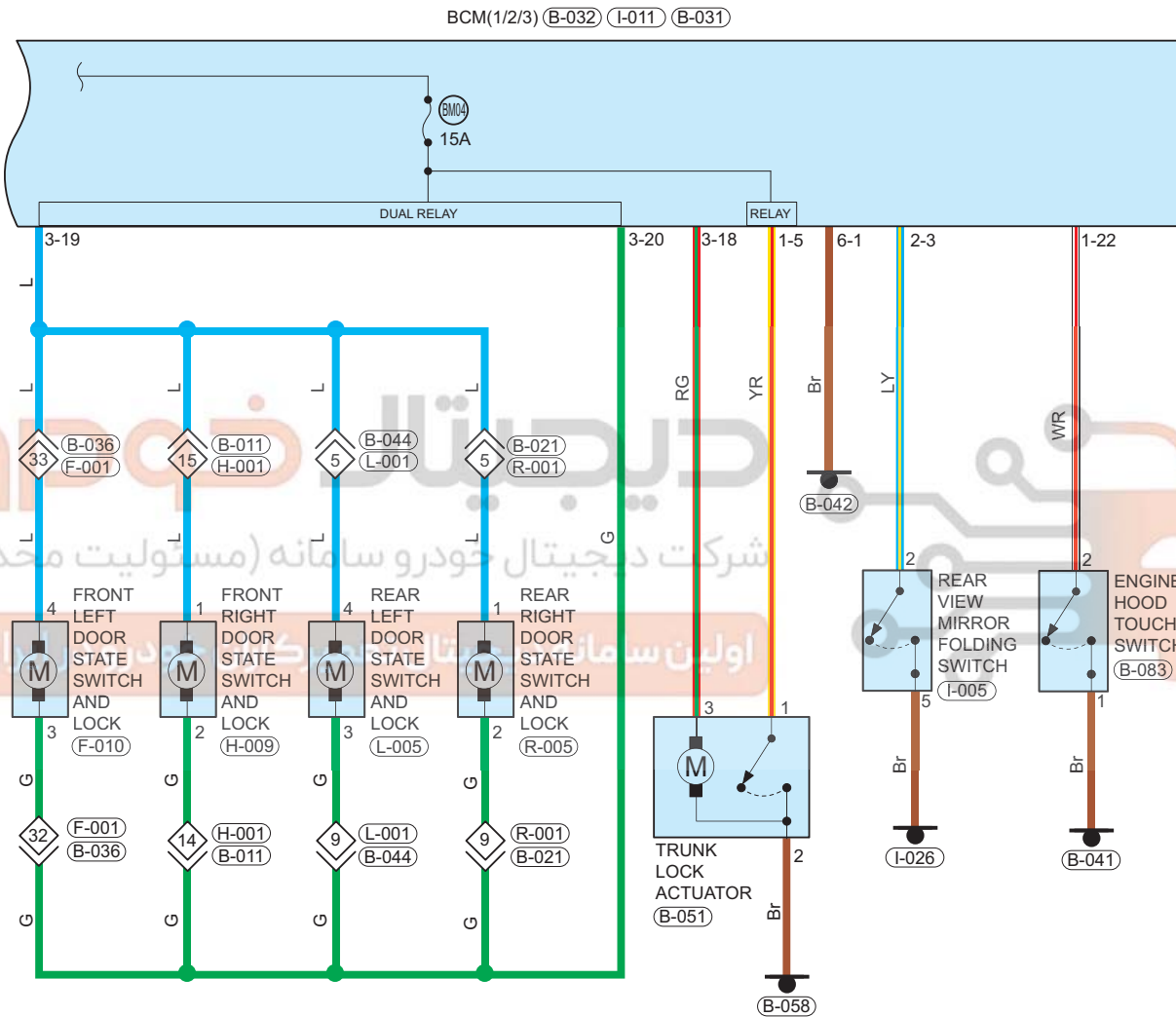
## Location of Junction Connector

| Connector Code | See Page | Connector Code | See Page | Connector Code | See Page |
|----------------|----------|----------------|----------|----------------|----------|
| B-035, F-001   | 08-12    | B-036, F-001   | 08-12    | B-011, H-001   | 08-12    |
| B-044, L-001   | 08-12    | B-021, R-001   | 08-12    |                |          |

## Form of Connector

| Connector Code | See Page | Connector Code | See Page | Connector Code | See Page |
|----------------|----------|----------------|----------|----------------|----------|
| B-081          | 12-7     | I-001          | 12-4     | I-011          | 12-4     |
| B-040          | 12-7     | F-009          | 12-14    | L-005          | 12-15    |
| B-031          | 12-7     | F-010          | 12-14    | H-009          | 12-14    |
| B-032          | 12-7     | F-007          | 12-14    | R-005          | 12-15    |
| B-015          | 12-7     | B-044, L-001   | 12-7     | B-021, R-001   | 12-7     |
| B-035, F-001   | 12-7     | B-036, F-001   | 12-7     | B-011, H-001   | 12-7     |

Circuit Diagram (Page 2 of 2)



09

DLE002001