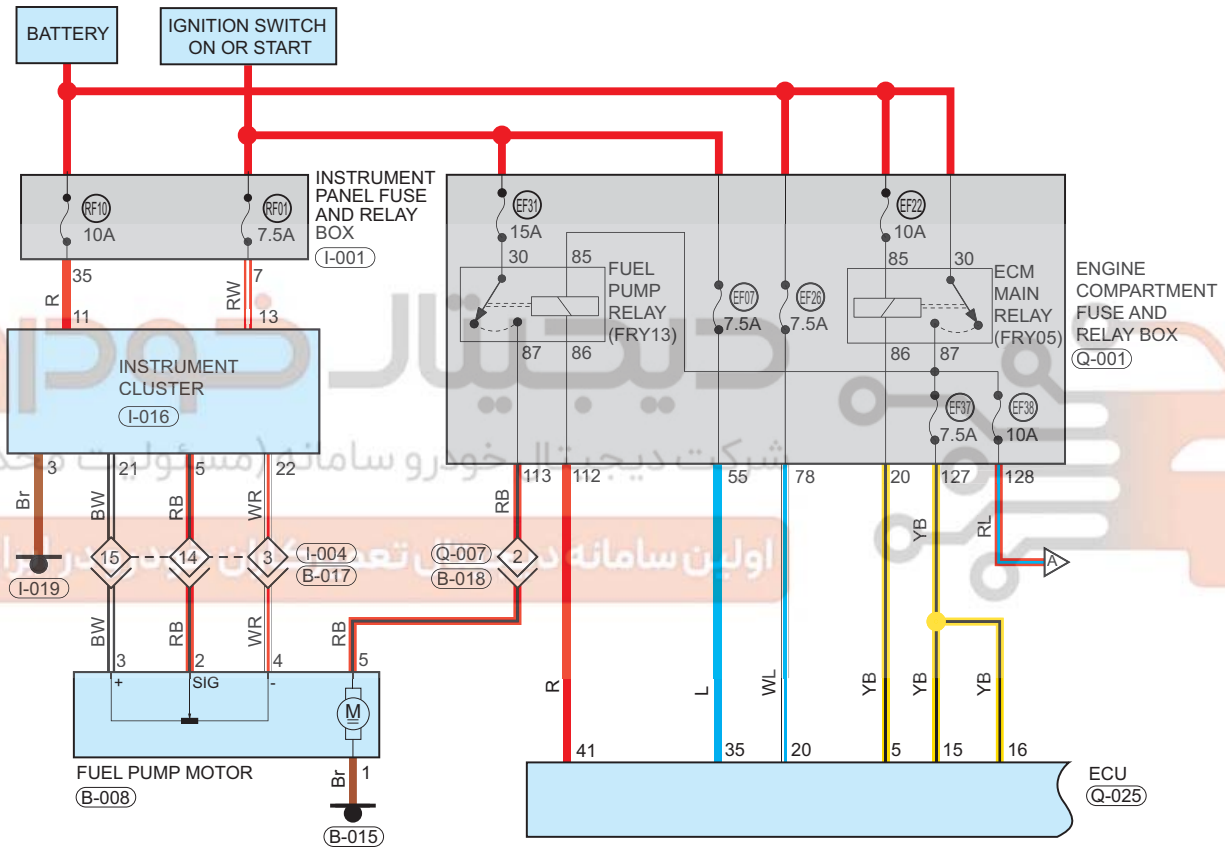


SQRE4T15B Fuel Supply System

Circuit Diagram (Page 1 of 2)



09

Parts Location

Connector Code	See Page	Connector Code	See Page	Connector Code	See Page
I-001	08-12	I-016	08-12	I-019	08-12
B-008	08-16	B-015	08-16	Q-001	08-6
Q-025	08-6				

Fuse and Relay

Fuse/Relay	See Page	Fuse and Relay Box
EF31	06-2	Engine Compartment Fuse and Relay Box
EF07	06-2	Engine Compartment Fuse and Relay Box
EF26	06-2	Engine Compartment Fuse and Relay Box
EF22	06-2	Engine Compartment Fuse and Relay Box
EF37	06-2	Engine Compartment Fuse and Relay Box
EF38	06-2	Engine Compartment Fuse and Relay Box
Fuel Pump Relay (FRY13)	06-2	Engine Compartment Fuse and Relay Box
ECM Main Relay (FRY05)	06-2	Engine Compartment Fuse and Relay Box
RF10	06-8	Instrument Panel Fuse and Relay Box
RF01	06-8	Instrument Panel Fuse and Relay Box

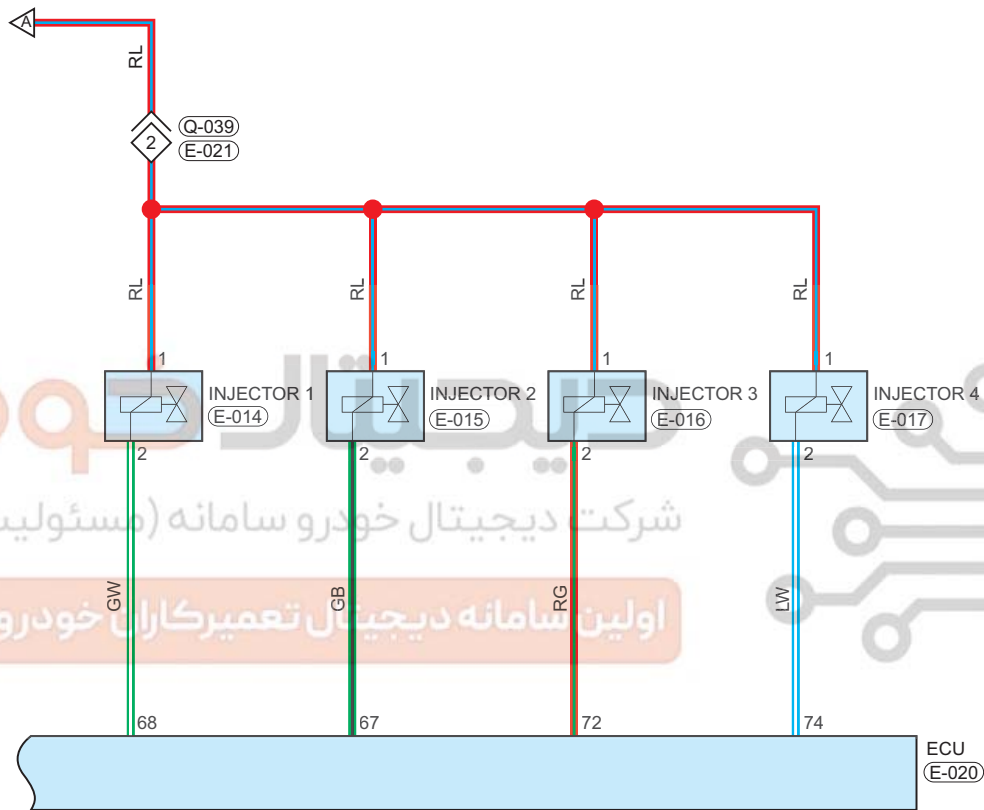
Location of Junction Connector

Connector Code	See Page	Connector Code	See Page	Connector Code	See Page
I-004, B-017	08-12	Q-007, B-018	08-6		

Form of Connector

Connector Code	See Page	Connector Code	See Page	Connector Code	See Page
I-001	12-4	I-016	12-4	I-019	12-4
B-008	12-8	B-015	12-8	Q-001	12-16
Q-025	12-16	I-004, B-017	12-4	Q-007, B-018	12-16

Circuit Diagram (Page 2 of 2)



شرکت دیجیتال خودرو سامانه (مسئولیت محدود)
اولین سامانه دیجیتال تعمیرکاران خودرو در ایران

