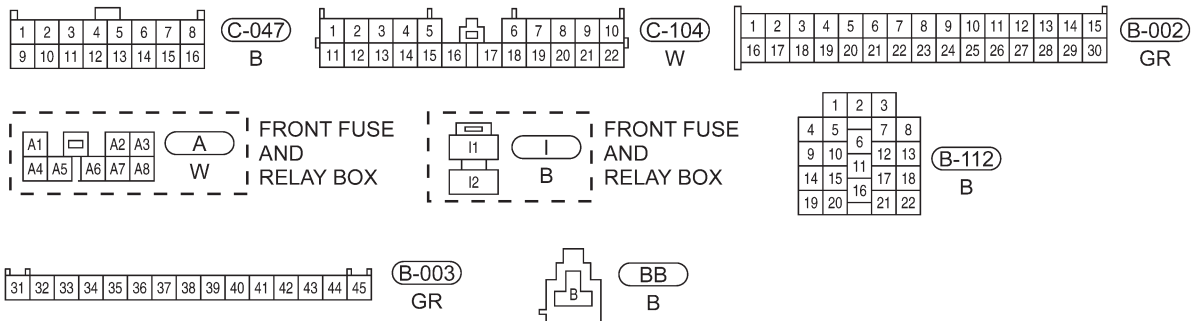
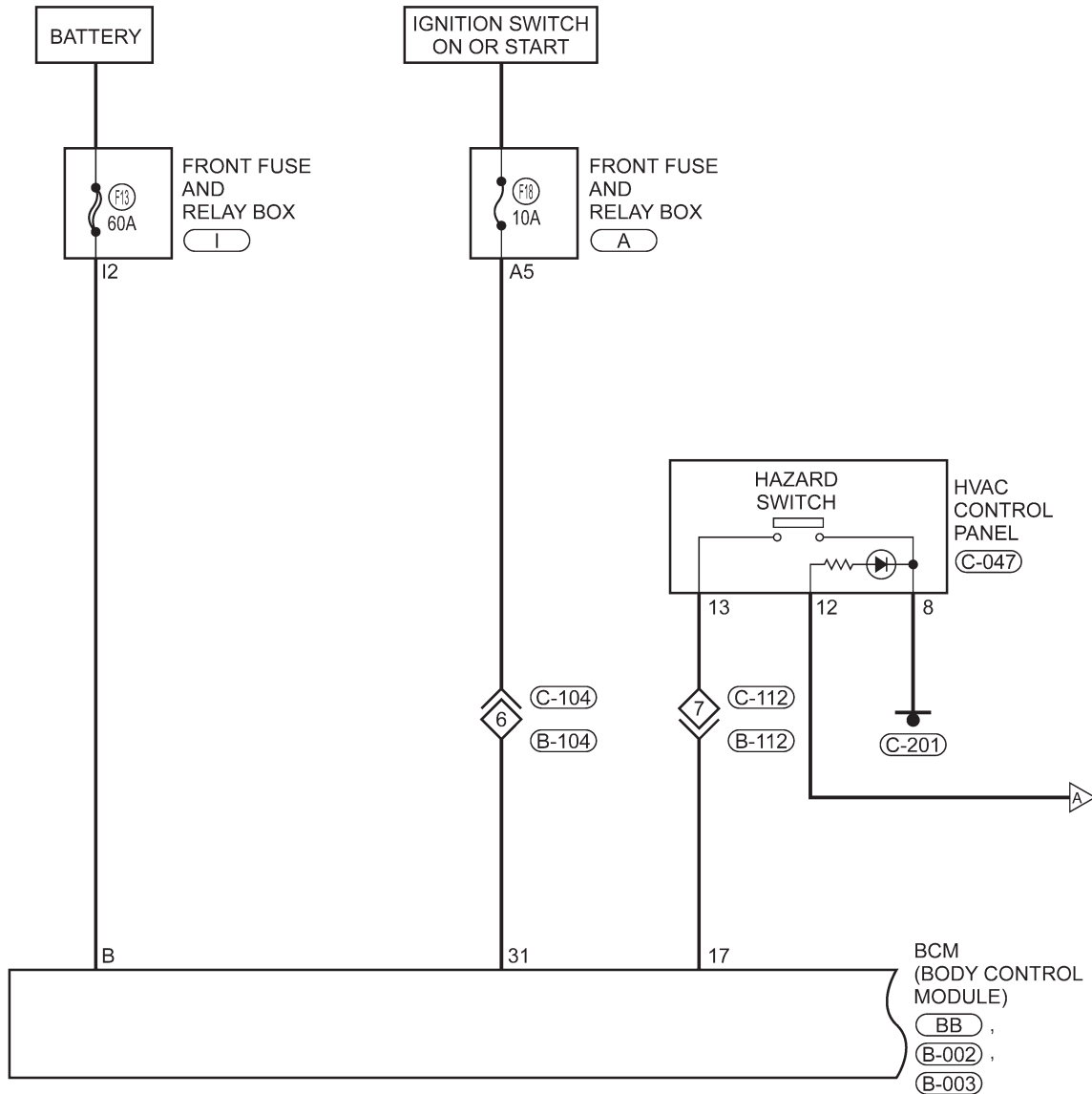


EXTERIOR LAMPS

Side Turn Signal and Hazard Warning Lamps (Page 1 of 2)

TURN SIGNAL AND HAZARD WARNING LAMPS

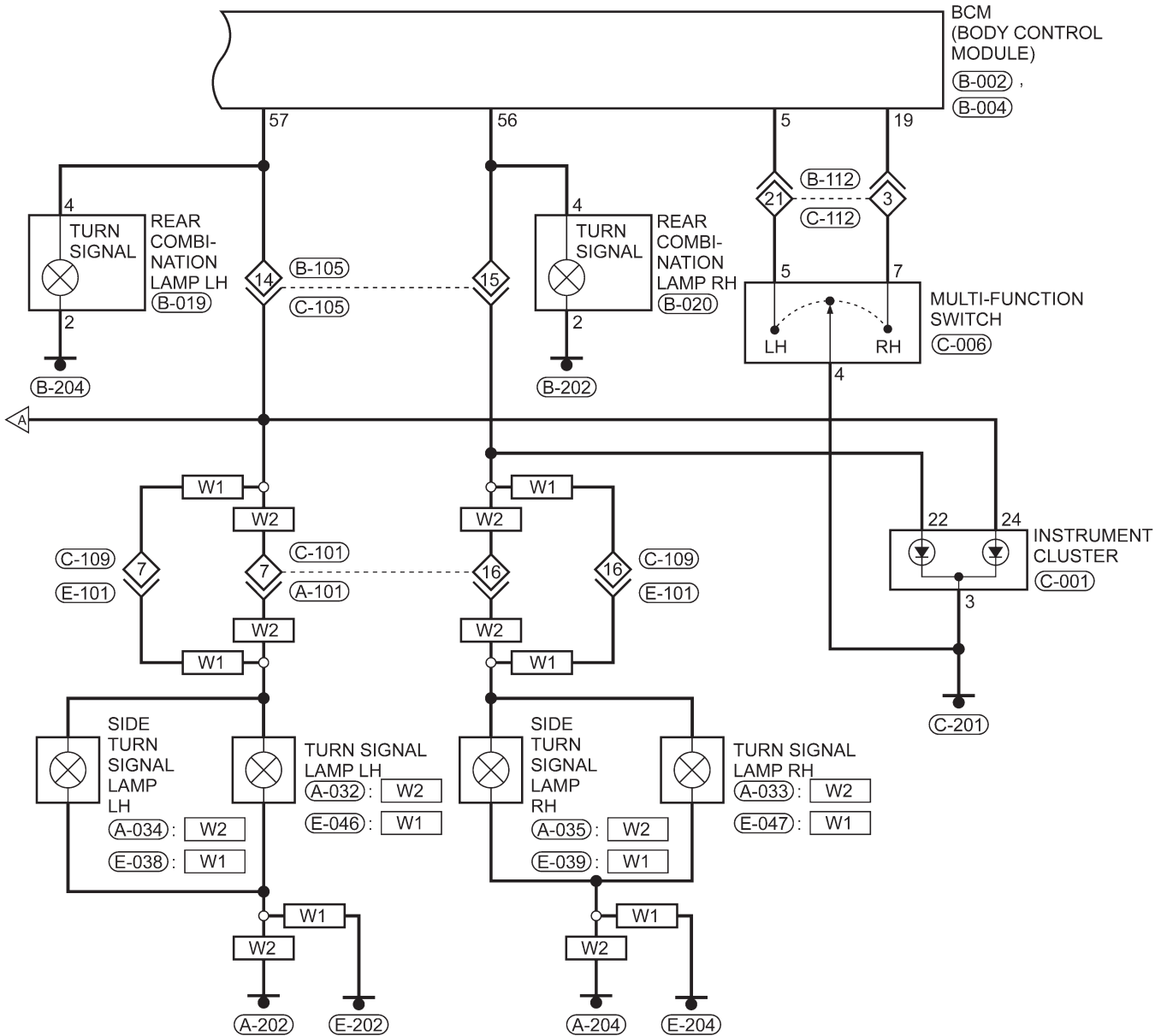


Itsmw150022t

EXTERIOR LAMPS

Turn Signal and Hazard Warning Lamps (Page 2 of 2)

W1 : WITH 1.6L - 1.8L ENGINE SYSTEM
W2 : WITH 2.0L - 2.4L ENGINE SYSTEM



| | | | | | | | | | | | | | | |
|----|----|----|----|----|----|----|----|----|----|----|----|----|----|----|
| 1 | 2 | 3 | 4 | 5 | 6 | 7 | 8 | 9 | 10 | 11 | 12 | 13 | 14 | 15 |
| 16 | 17 | 18 | 19 | 20 | 21 | 22 | 23 | 24 | 25 | 26 | 27 | 28 | 29 | 30 |

(B-002)
GR

| | | | | | | | | | | | |
|----|----|----|----|----|----|----|----|----|----|----|----|
| 46 | 47 | 48 | 49 | 50 | 51 | 52 | 53 | 54 | 55 | 56 | 57 |
|----|----|----|----|----|----|----|----|----|----|----|----|

(B-004)
B

| | |
|---|---|
| 1 | 2 |
| 3 | 4 |
| 5 | 6 |

(B-019), (B-020)
W W

| | | | | | | | | | |
|----|----|----|----|----|----|----|----|----|----|
| 1 | 2 | 3 | 4 | 5 | 6 | 7 | 8 | 9 | 10 |
| 11 | 12 | 13 | 14 | 15 | 16 | 17 | 18 | 19 | 20 |
| 21 | 22 | | | | | | | | |

(C-105)
W

| | |
|---|---|
| 1 | 2 |
|---|---|

(A-032), (A-033), (E-046), (E-047)
B B B B

| | | | | | | | | | | | | | | | |
|----|----|----|----|----|----|----|----|----|----|----|----|----|----|----|----|
| 17 | 18 | 19 | 20 | 21 | 22 | 23 | 24 | 25 | 26 | 27 | 28 | 29 | 30 | 31 | 32 |
| 1 | 2 | 3 | 4 | 5 | 6 | 7 | 8 | 9 | 10 | 11 | 12 | 13 | 14 | 15 | 16 |

(C-001)
L

| | |
|---|---|
| 1 | 2 |
|---|---|

(A-034), (A-035), (E-038), (E-039)
B B B B

| | | | |
|----|----|----|----|
| 1 | 2 | 3 | 4 |
| 5 | 6 | 7 | 8 |
| 9 | 10 | 11 | 12 |
| 13 | | | |

(C-006)
W

| | | |
|----|----|----|
| 1 | 2 | 3 |
| 4 | 5 | 6 |
| 7 | 8 | 9 |
| 10 | 11 | 12 |
| 13 | 14 | 15 |
| 16 | 17 | 18 |
| 19 | 20 | 21 |
| 22 | | |

(B-112)
W

| | | | | | | | |
|----|----|----|----|----|----|----|----|
| 1 | 2 | 3 | 4 | 5 | 6 | 7 | 8 |
| 9 | 10 | 11 | 12 | 13 | 14 | 15 | 16 |
| 17 | 18 | | | | | | |

(E-101), (A-101)
W W

Istmw150023t