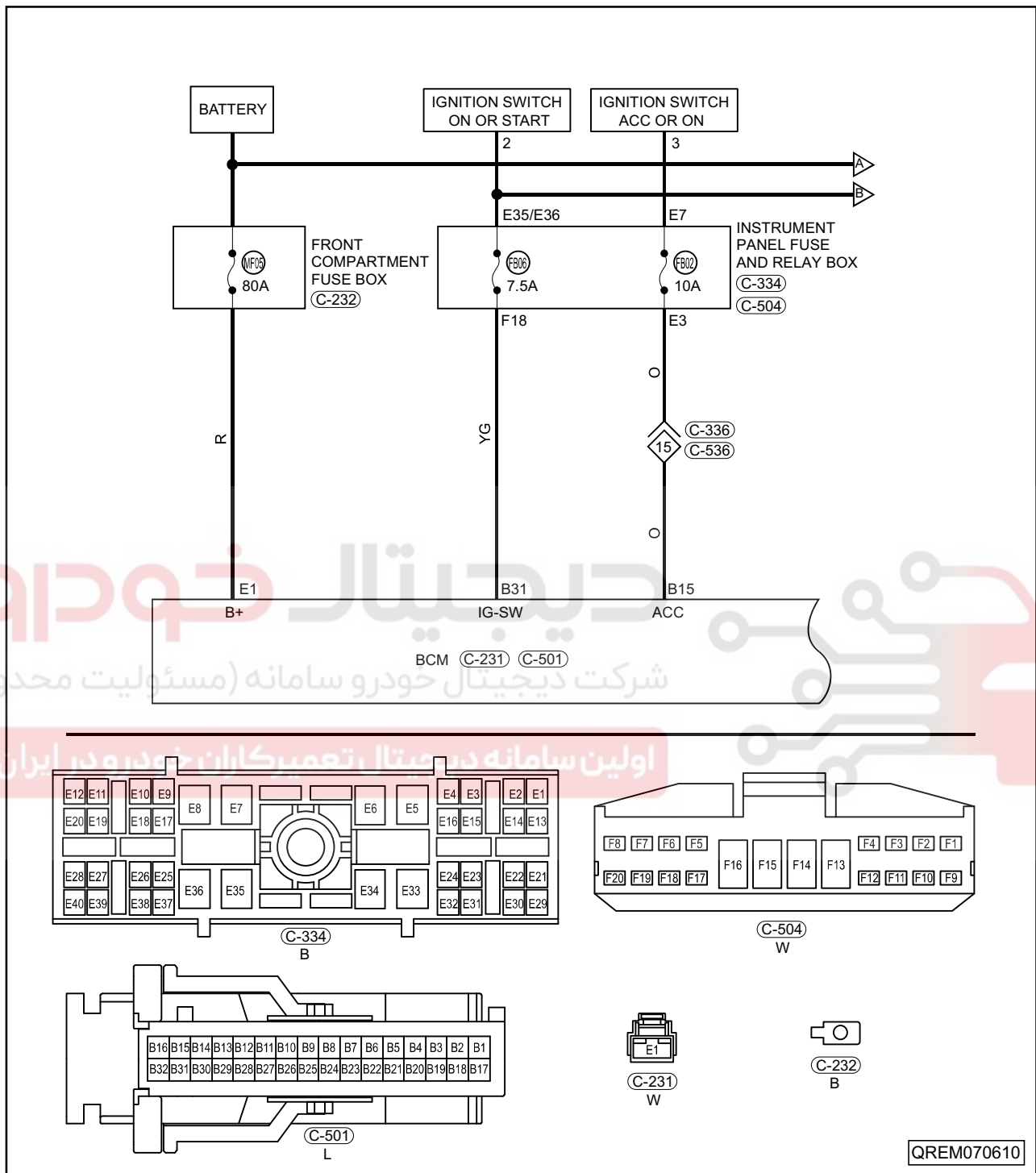


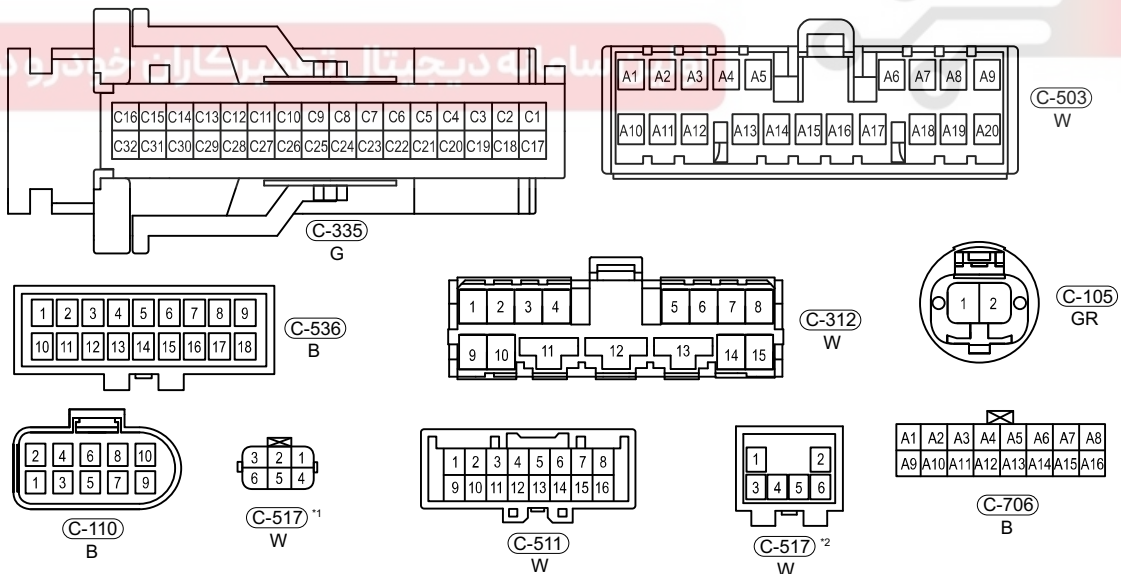
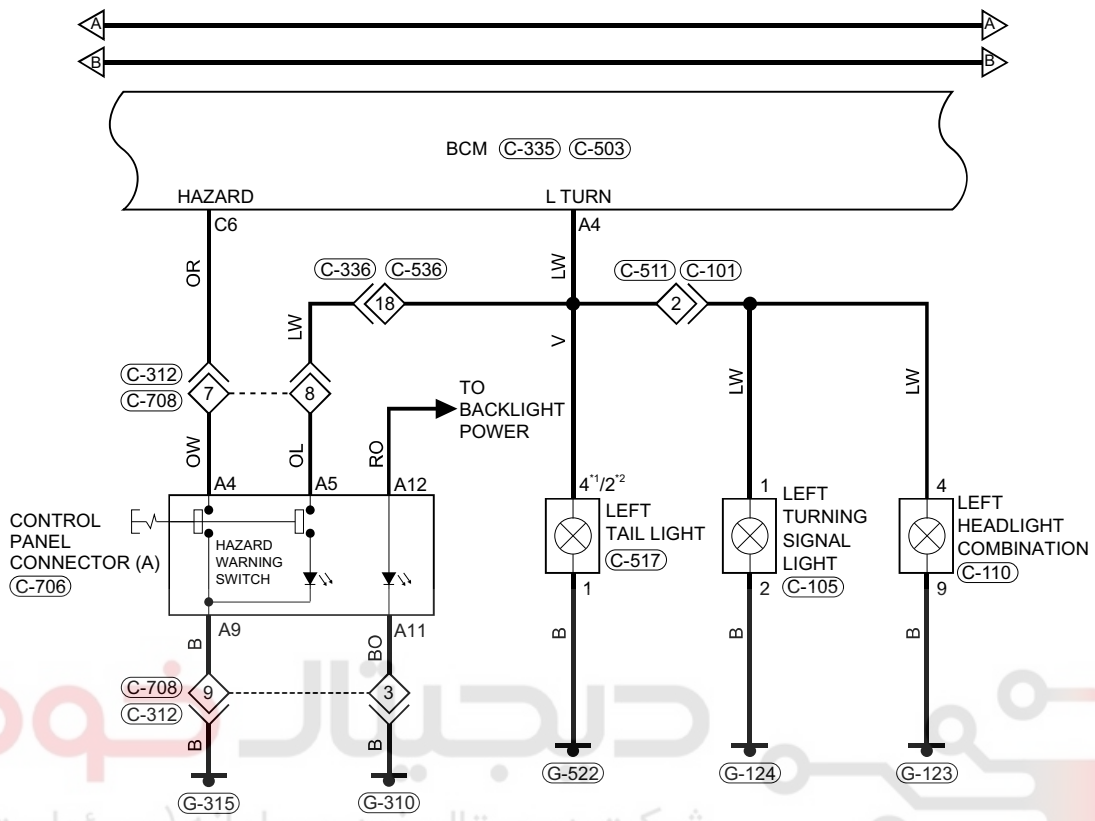
8.2 Circuit diagrams

Alarm system (page 1)



Alarm system (page 2)

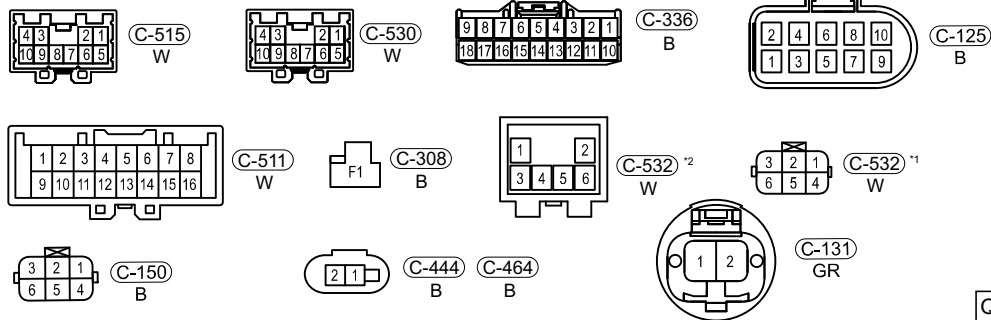
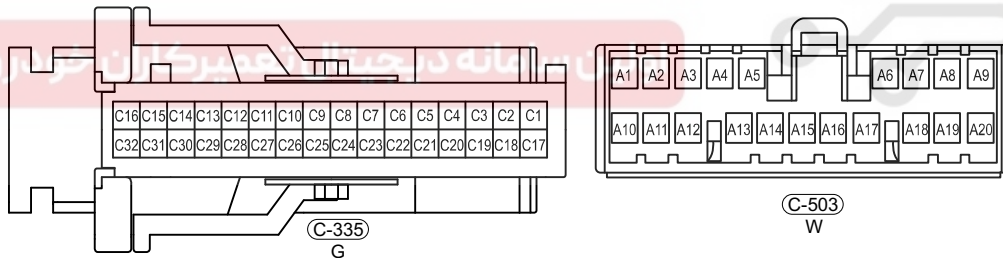
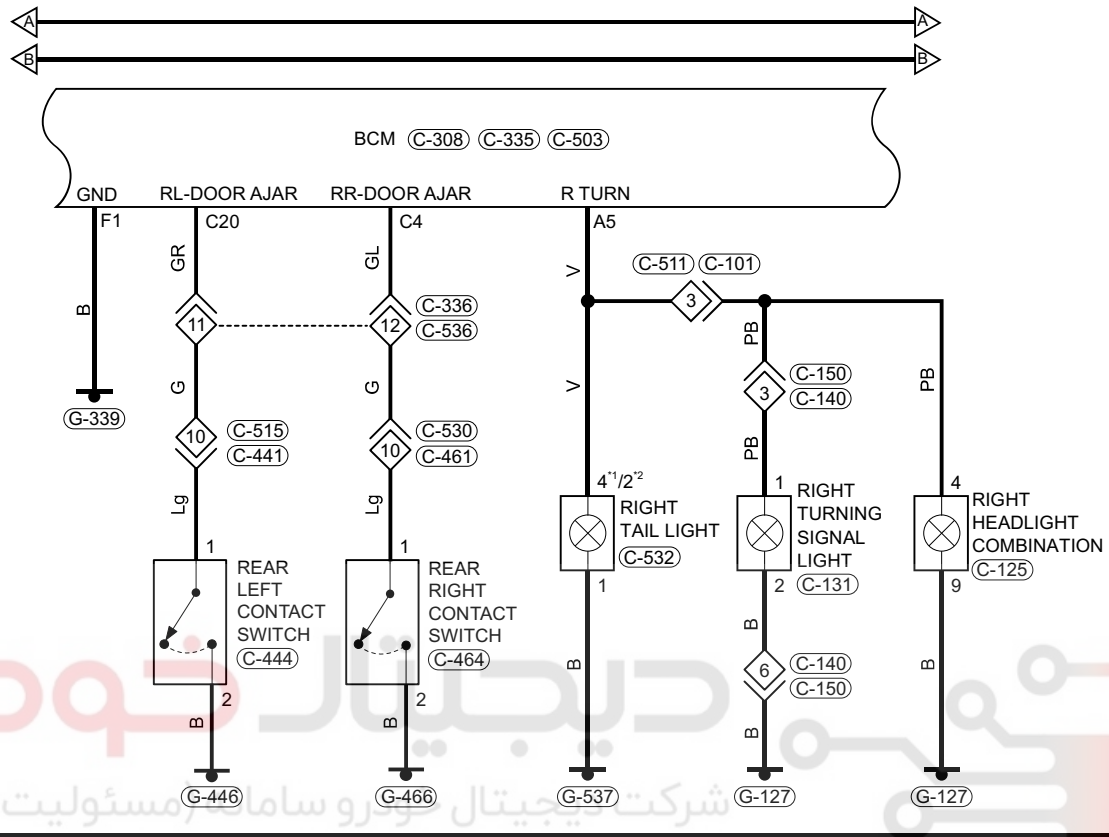
*1: For A13AFL model
*2: For A13FL model



QREM070620

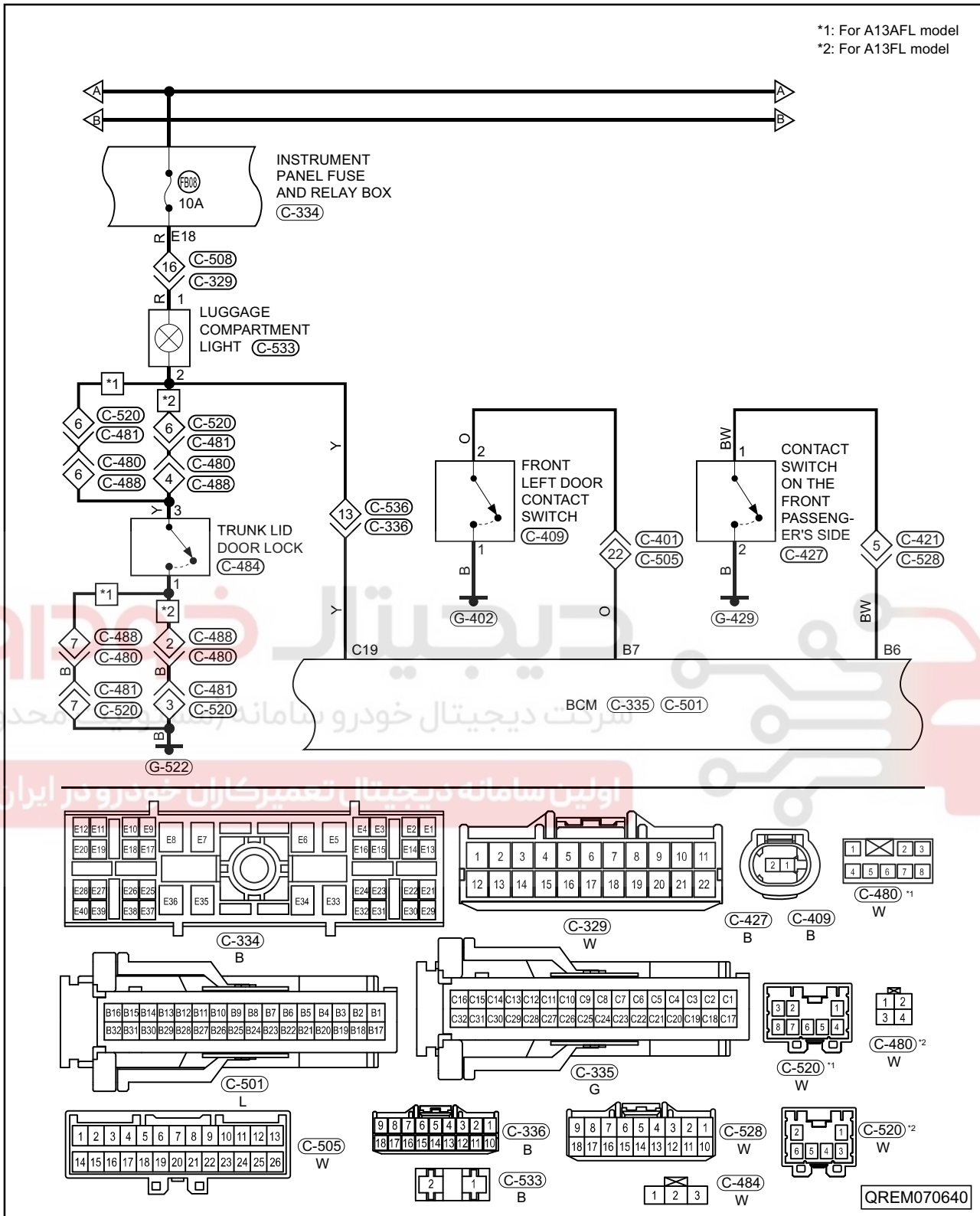
Alarm system (page 3)

*1: For A13AFL model
*2: For A13FL model



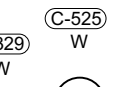
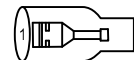
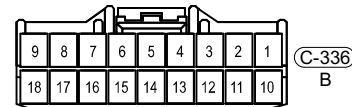
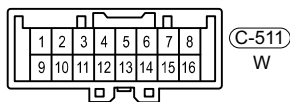
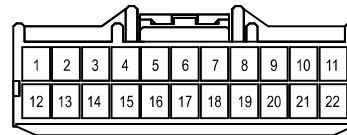
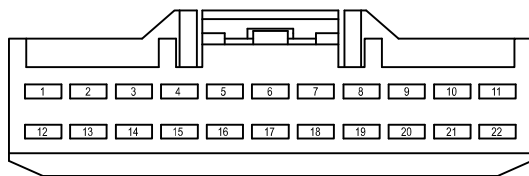
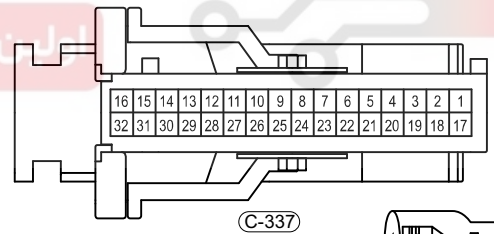
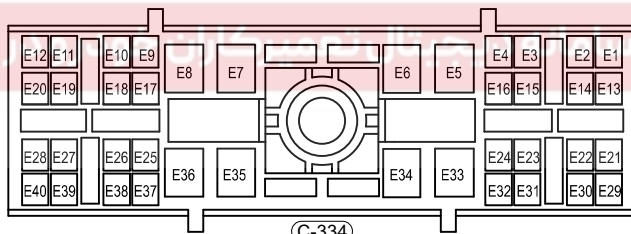
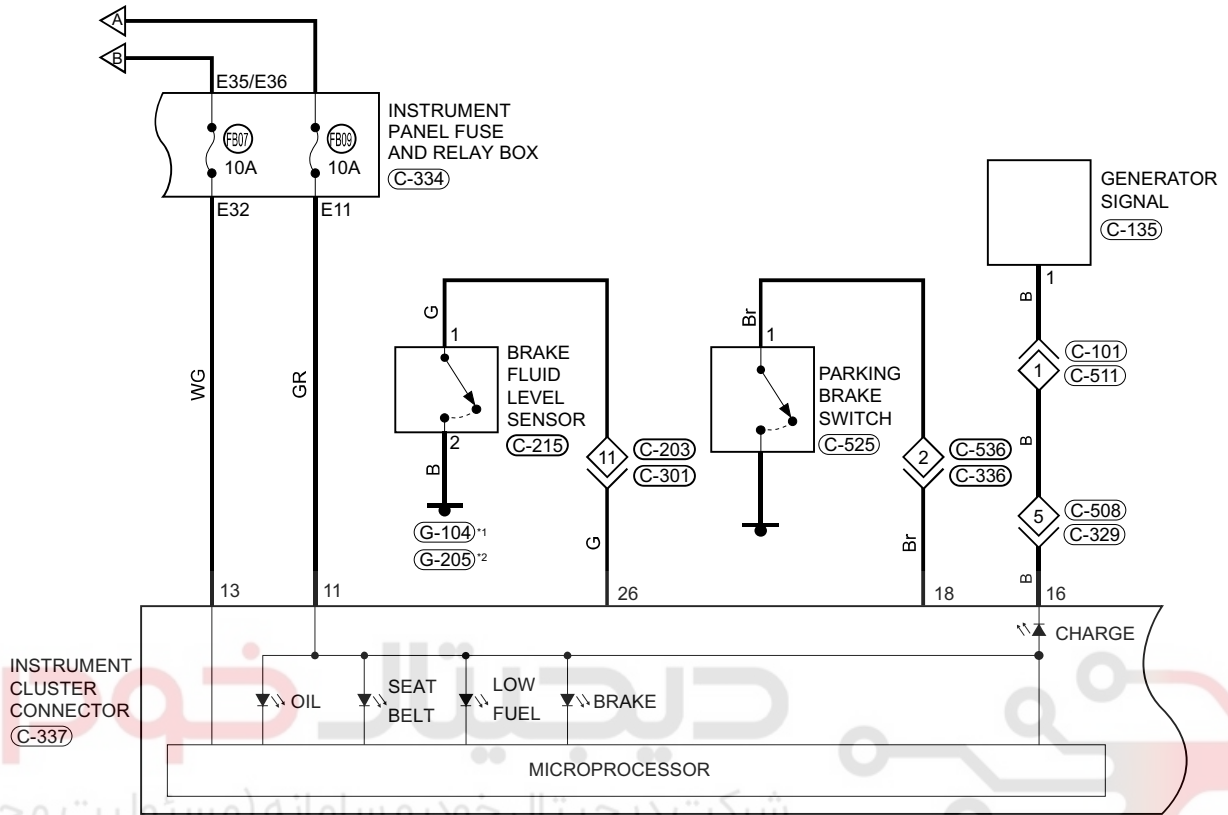
QREM070630

Alarm system (page 4)



Alarm system (page 5)

*1: For A13AFL model
*2: For A13FL model



QREM070650

Alarm system (page 6)

