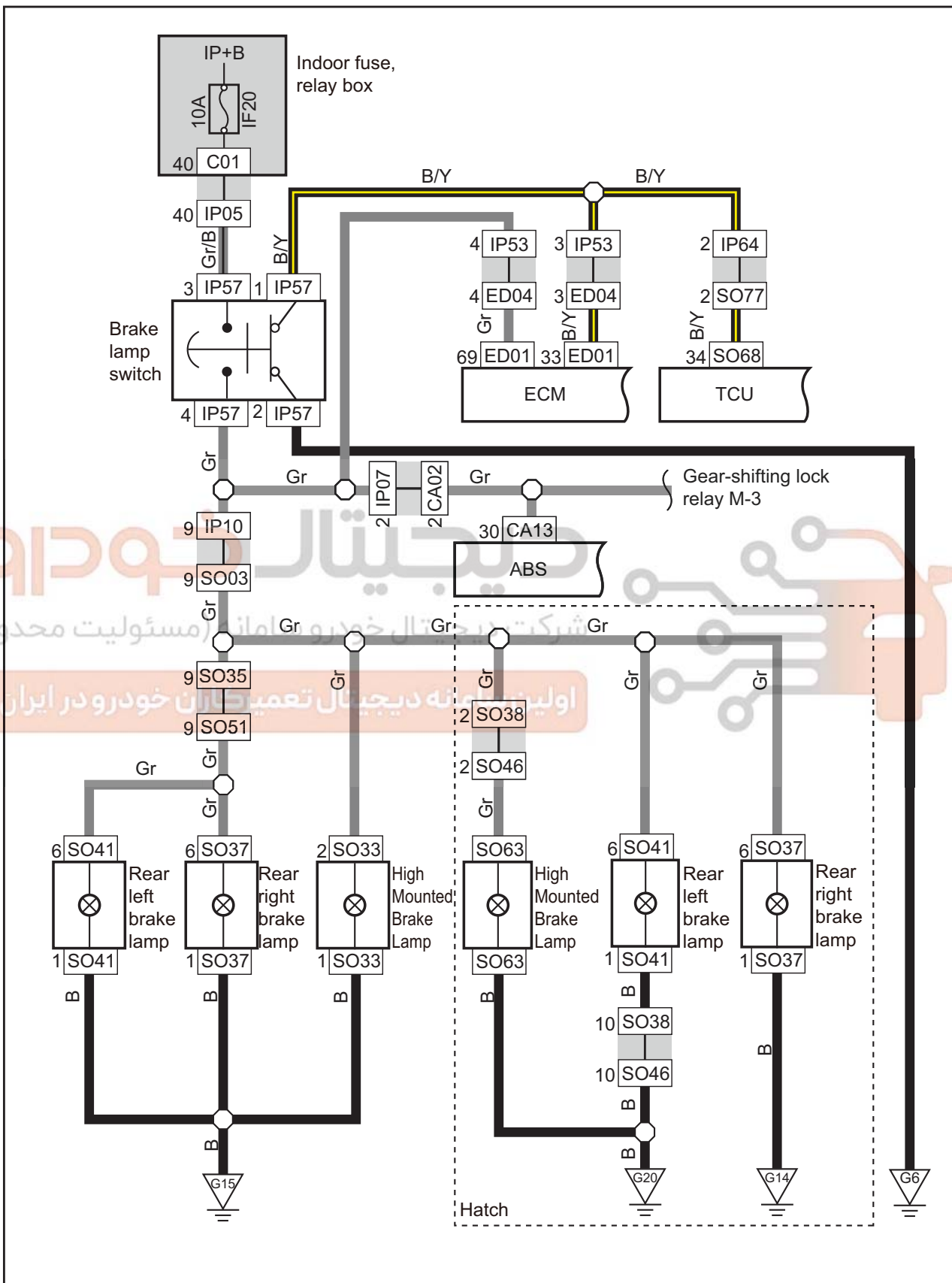


### Brake Lamp (JL4G18-G-CVT)



Harness connector	Name	Pages
C01	Rear Connector of Indoor Fuse Box	17
CA02	To harness connector of instrument harness 2	22
CA13	Harness connector of ABS module	22
ED01	Harness connector of engine control module	42
ED04	To harness connector of instrument harness (2)	42
IP05	To harness connector of indoor fuse box	67
IP07	To harness connector of engine compartment harness	80
IP10	To harness connector of body harness	80
IP53	To harness connector of engine harness (2)	89
IP57	Brake lamp switch harness connector	89
IP64	To harness connector of body (right) harness	89
SO77	To harness connector of instrument panel harness	98/108
SO65	To gear selector harness connector	98/108
SO03	To harness connector of instrument harness	97/106
SO35	To harness connector of luggage compartment harness	97/106
SO51	To harness connector of body harness	97/106
SO41	Harness connector of rear left combination tail lamp	97/106
SO37	Harness connector of rear right combination tail lamp	97/106
SO33	High mount brake lamp harness connector	97/106
SO38	To harness connector of tail door harness	97/106
SO46	To harness connector of body harness	97/107
SO68	Automatic transmission controller harness connector	98/108
SO41	Harness connector of rear left combination tail lamp	97/106
SO37	Harness connector of rear right combination tail lamp	97/106
G6	Instrument panel grounding	125
G14	Body harness grounding	126/127/128
G15	Body harness grounding	126/127/128
G20	Body harness grounding	129

Connection point	Descriptions	Pages
IP57-4	Gear-shifting lock relayM	350