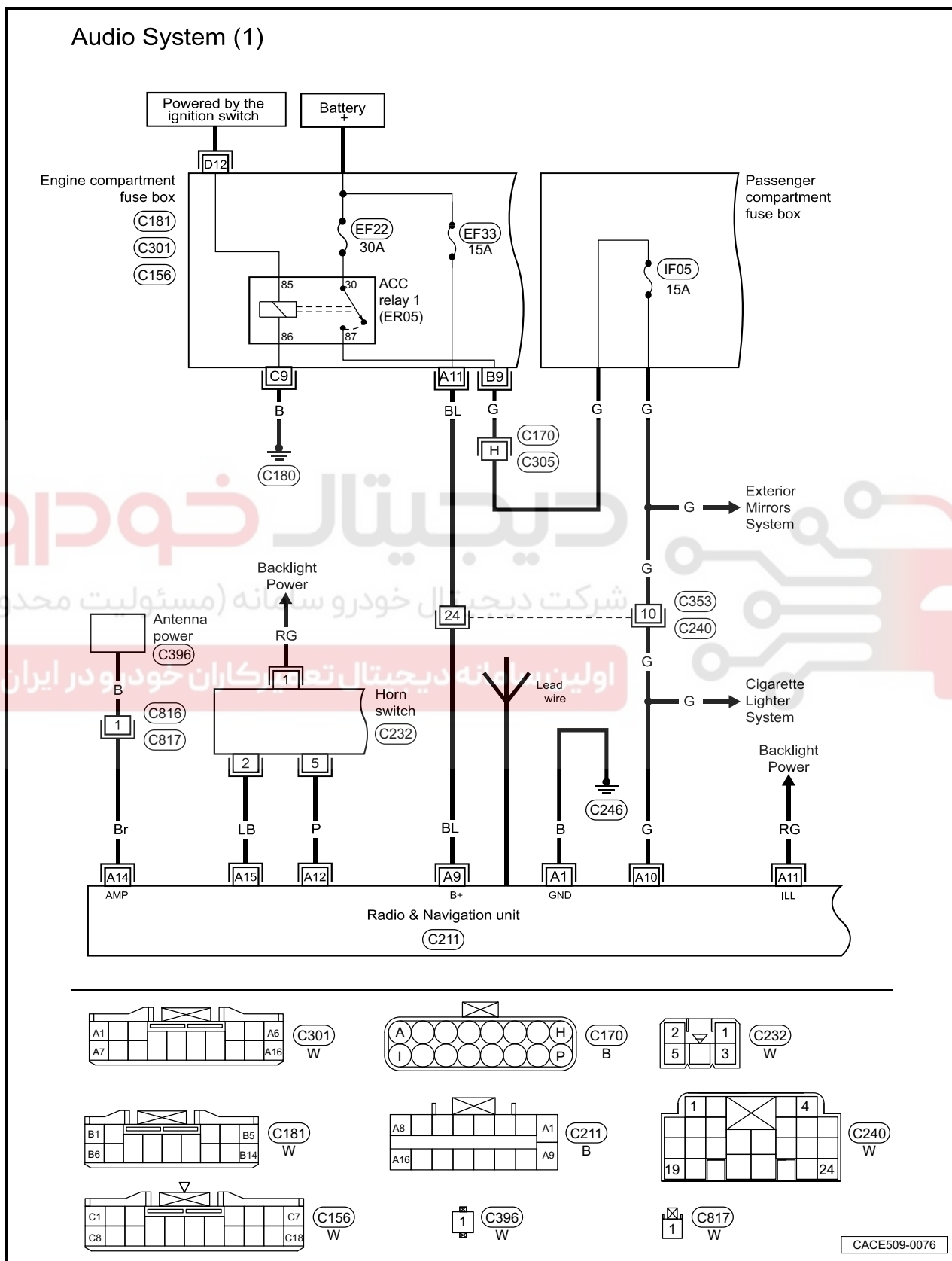


17.2 Diagnosis and Inspection

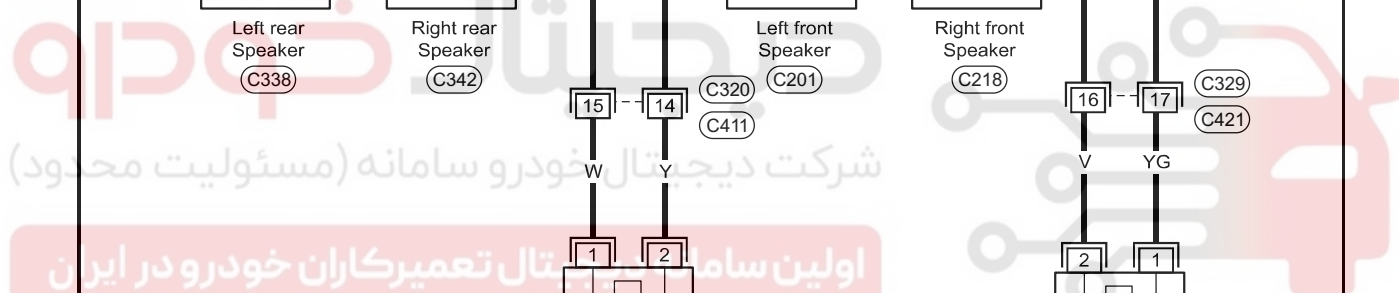
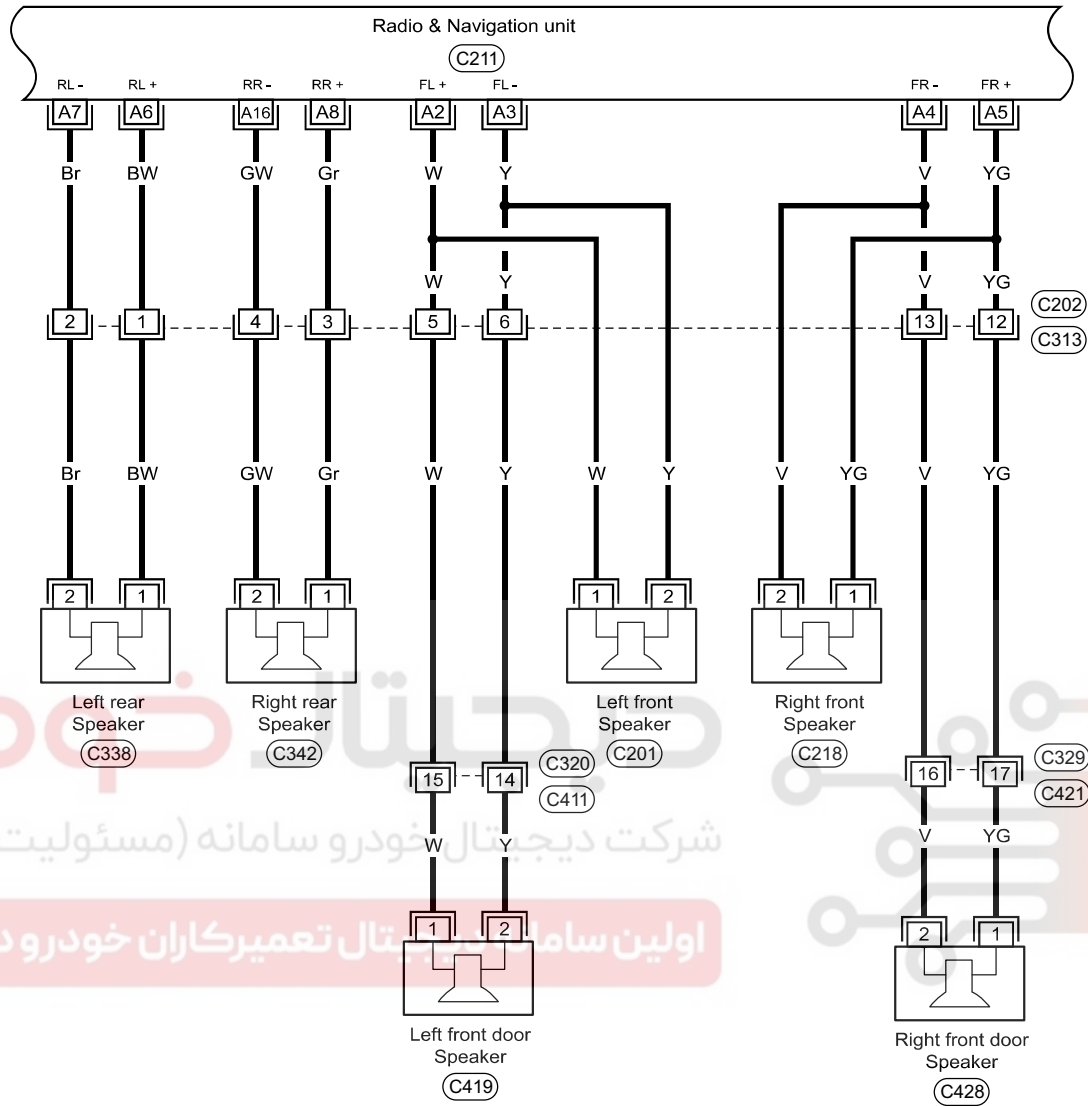
17.2.1 System Circuit Diagram



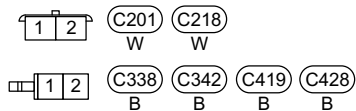
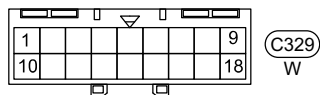
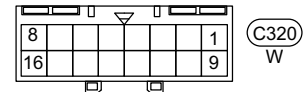
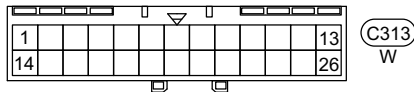
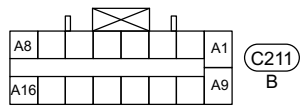
07

07 - Electrical Equipment

Audio System (2)

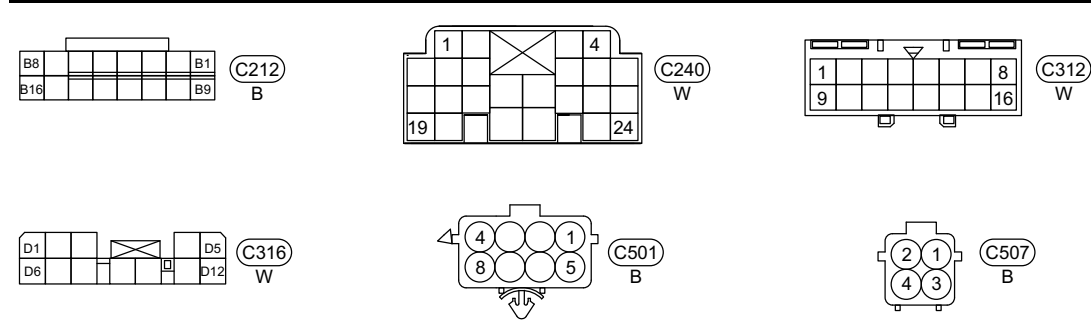
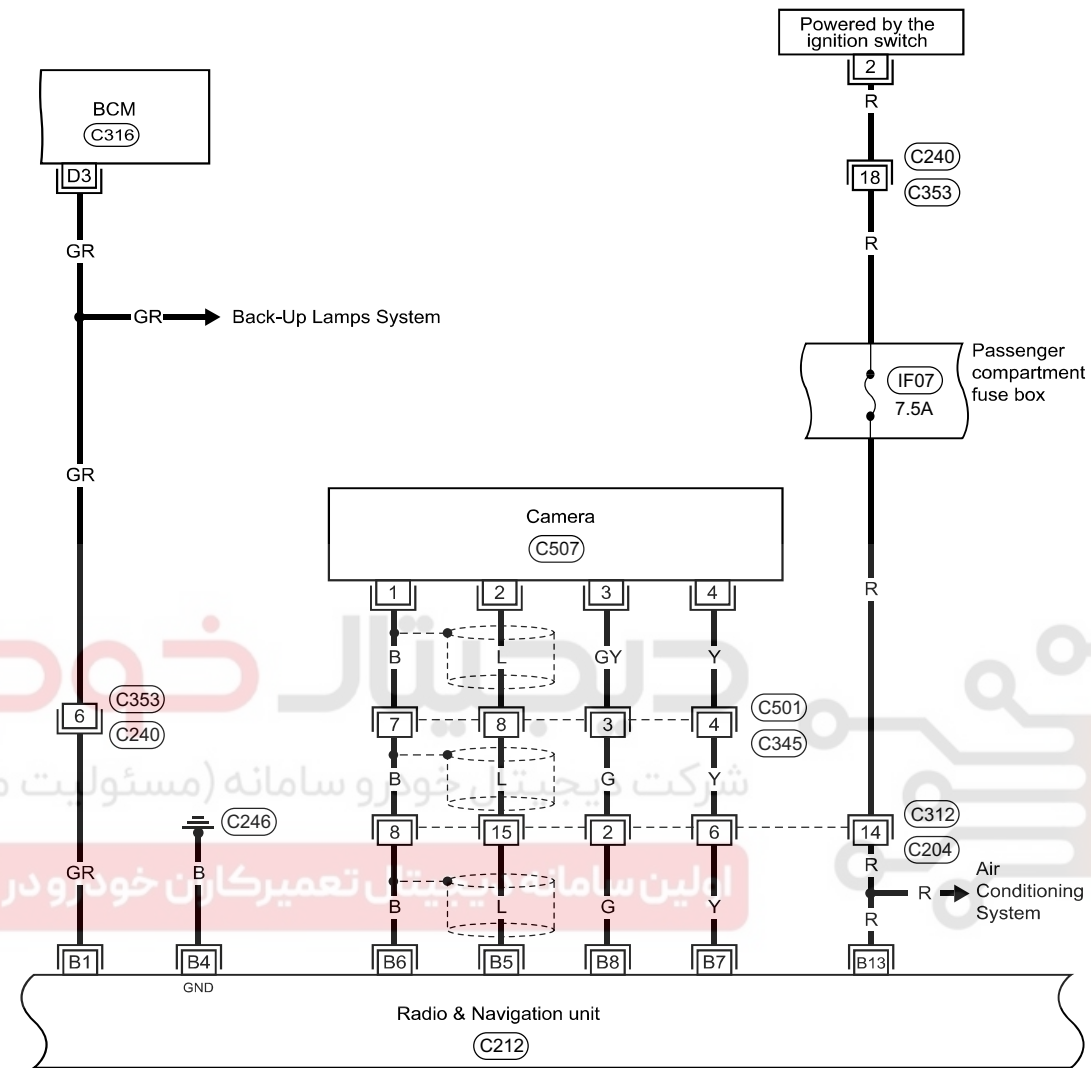


07



CACE509-0077

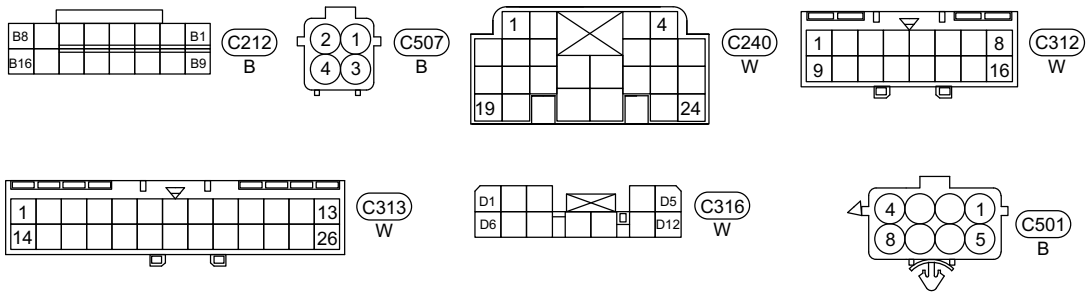
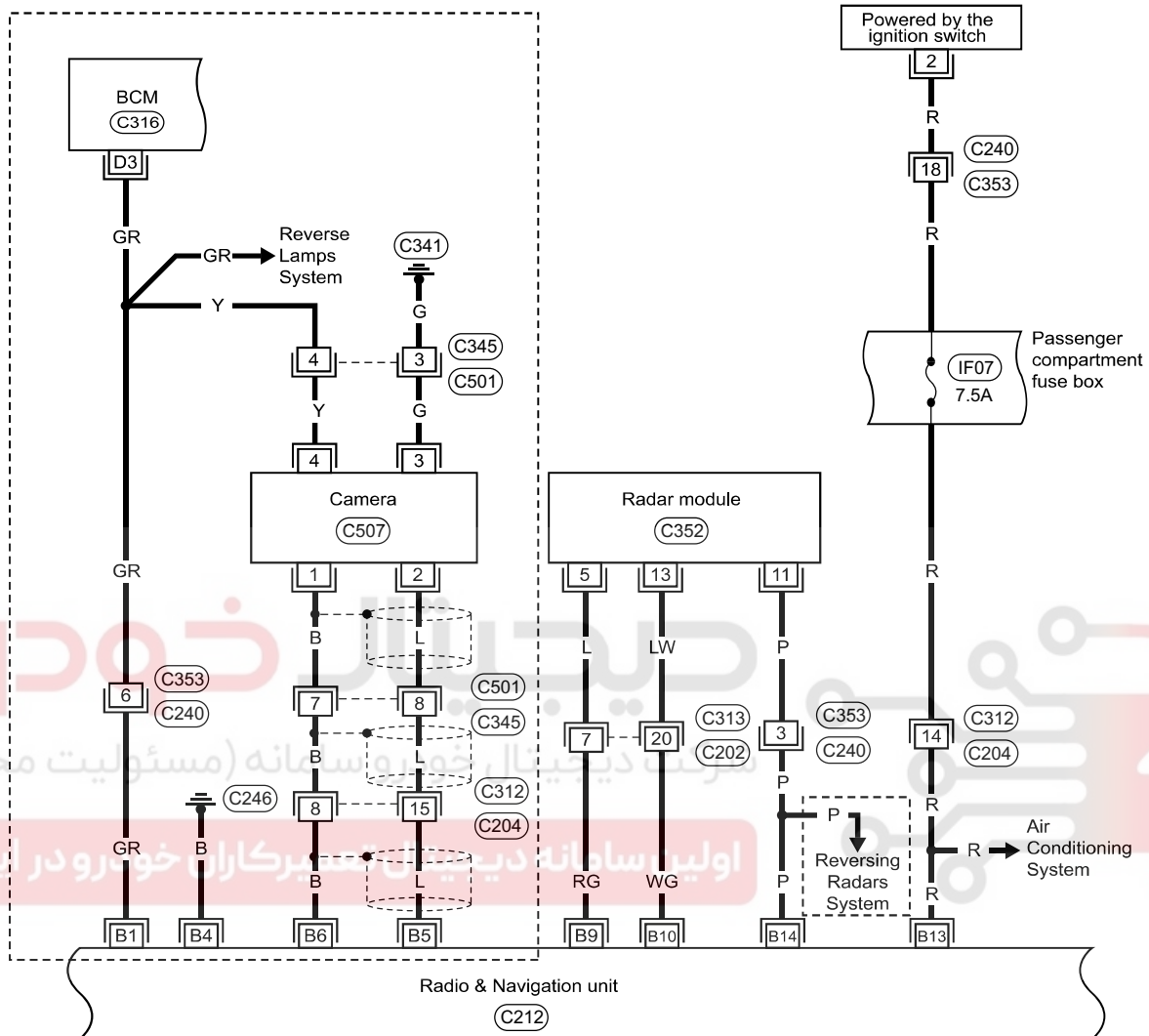
Audio System (3)



CACE509-0078

07 - Electrical Equipment

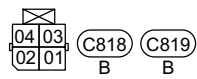
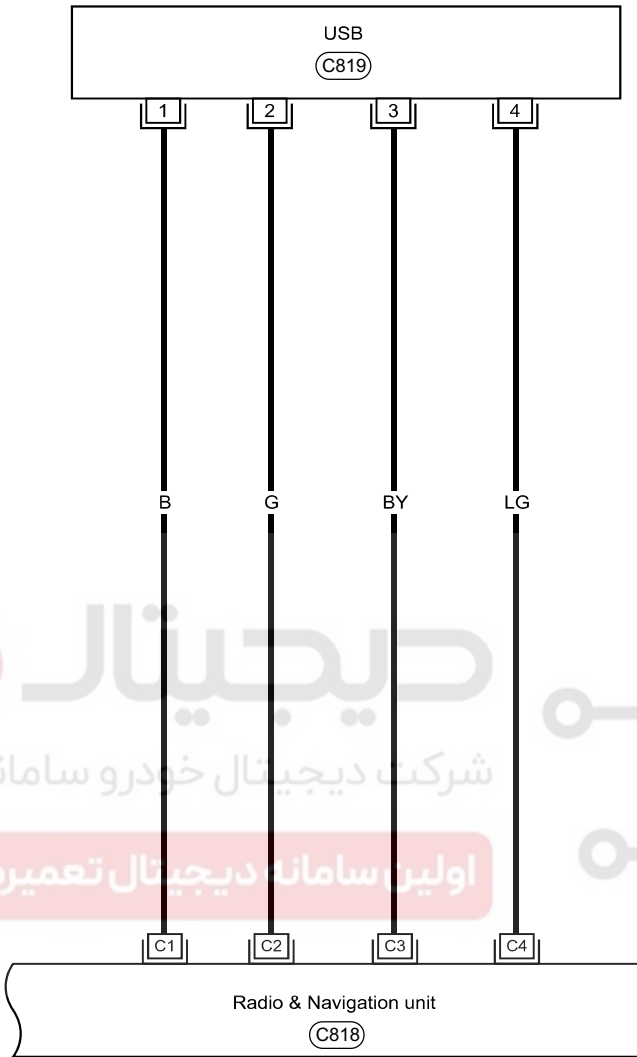
Audio System (4)



CACE509-0079

07

Audio System (5)



CACE509-0080