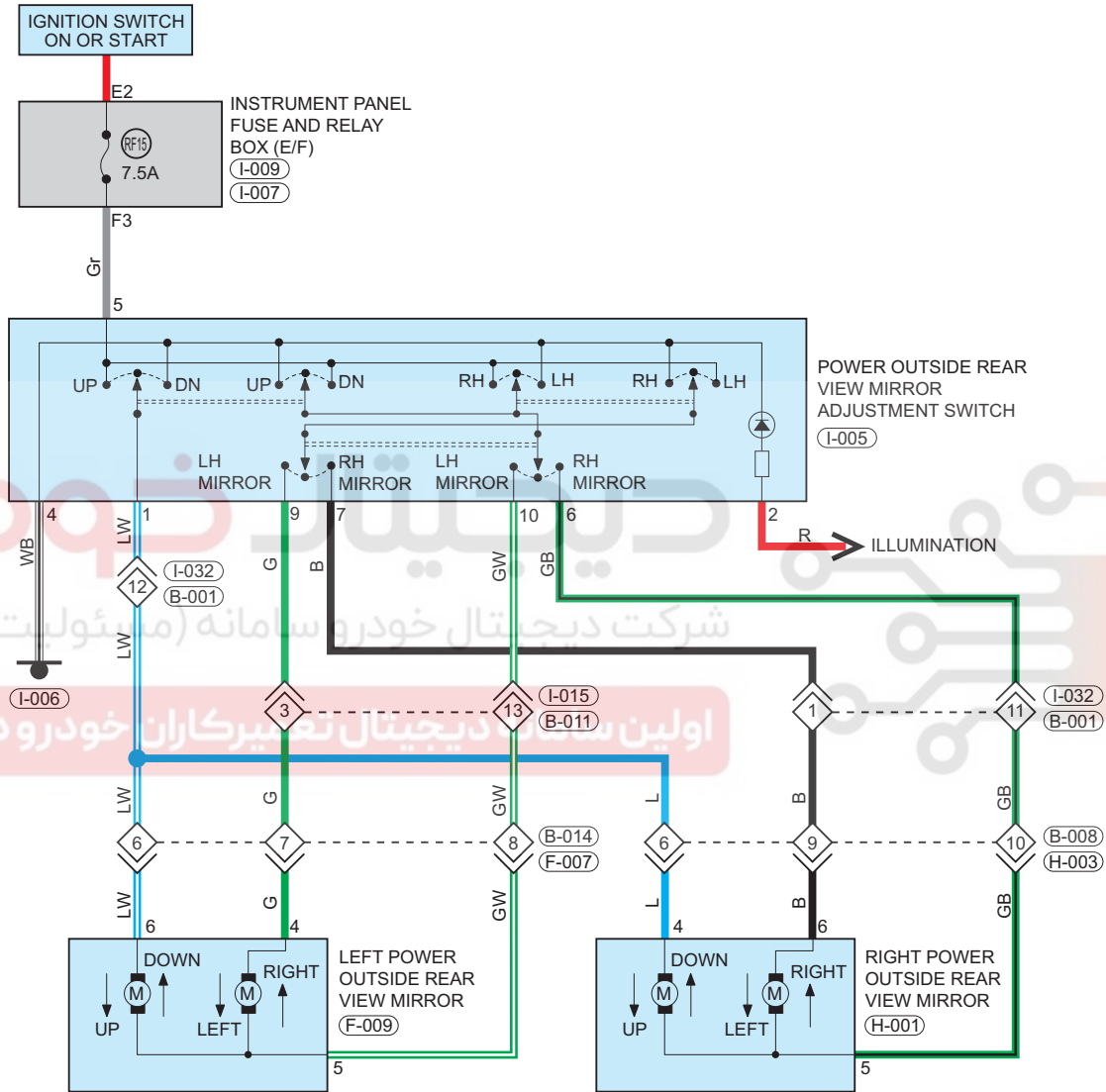


Rear View Mirror

Circuit Diagram (Page 1 of 2)



09

Parts Location

Connector Code	See Page	Connector Code	See Page	Connector Code	See Page
I-009	08-12	I-007	08-12	I-005	08-12
I-006	08-12	F-009	08-19	H-001	08-20

Fuse and Relay

Fuse/Relay	See Page	Fuse and Relay Box
RF15	06-12	Instrument Panel Fuse and Relay Box

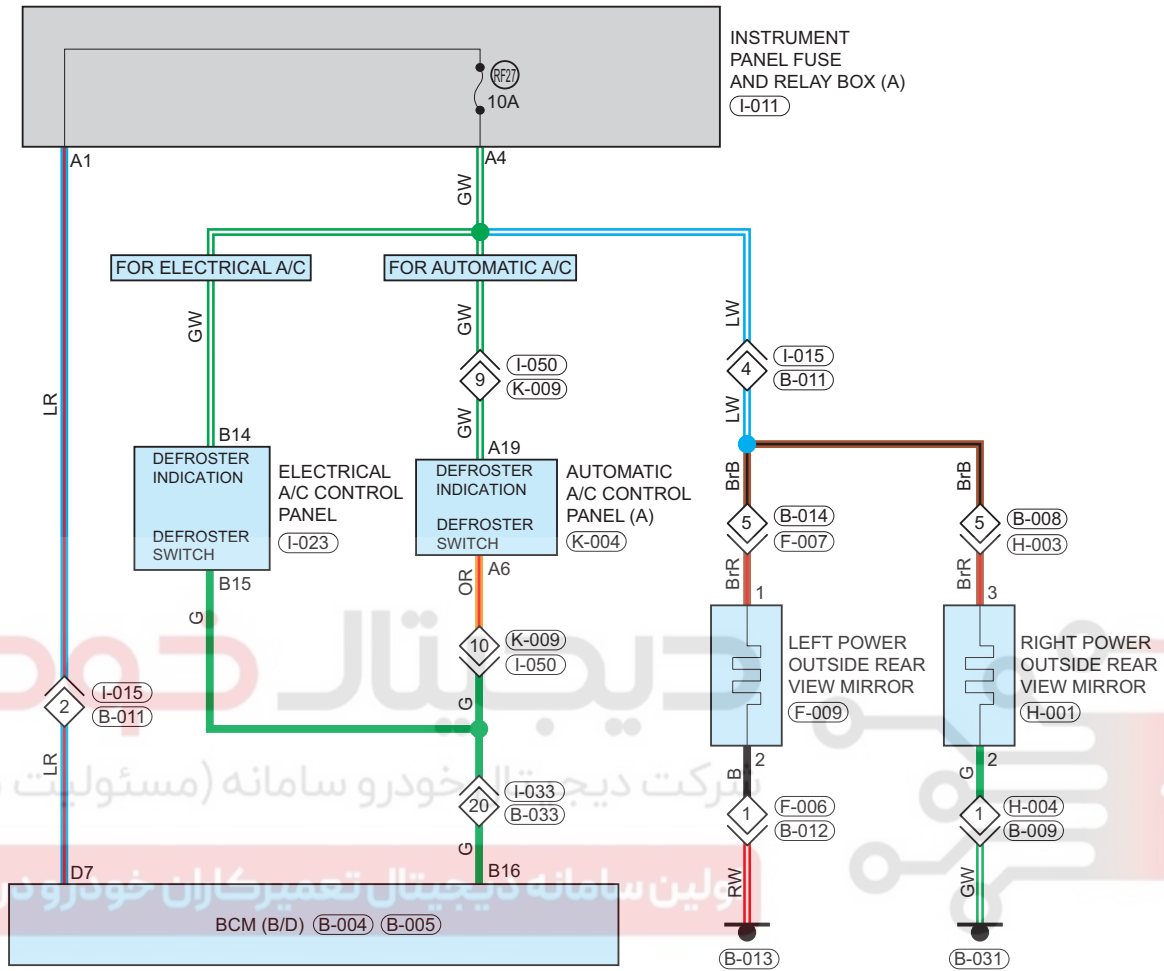
Location of Junction Connector

Connector Code	See Page	Connector Code	See Page	Connector Code	See Page
I-032, B-001	08-12, 08-17	I-015, B-011	08-12, 08-17	B-014, F-007	08-17, 08-19
B-008, H-003	08-17, 08-20				

Form of Connector

Connector Code	See Page	Connector Code	See Page	Connector Code	See Page
I-009	12-8	I-007	12-8	I-005	12-8
I-006	12-8	F-009	12-16	H-001	12-17
I-032, B-001	12-10	I-015, B-011	12-9	B-014, F-007	12-13
B-008, H-003	12-12				

Circuit Diagram (Page 2 of 2)



09

ET11090800