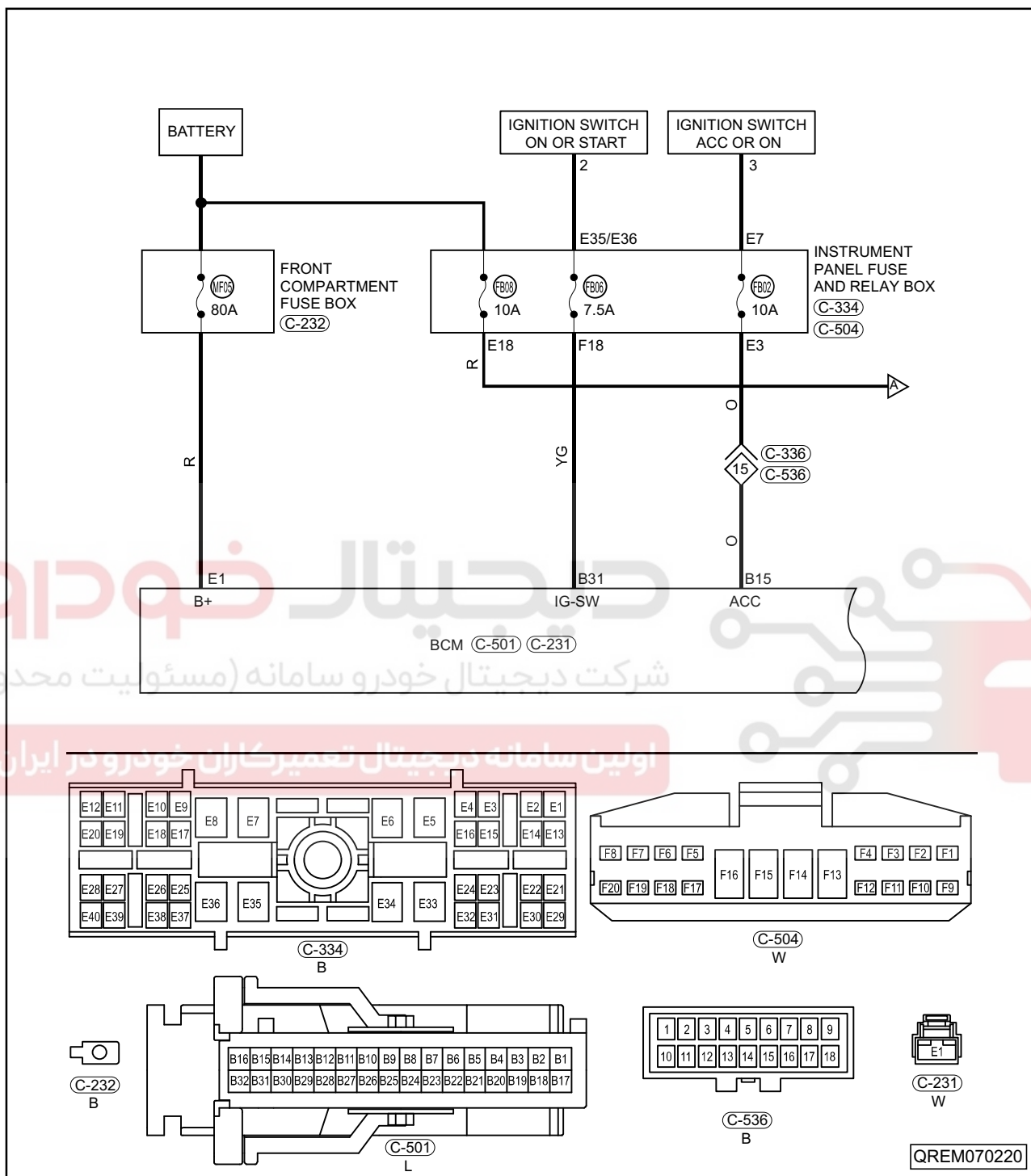


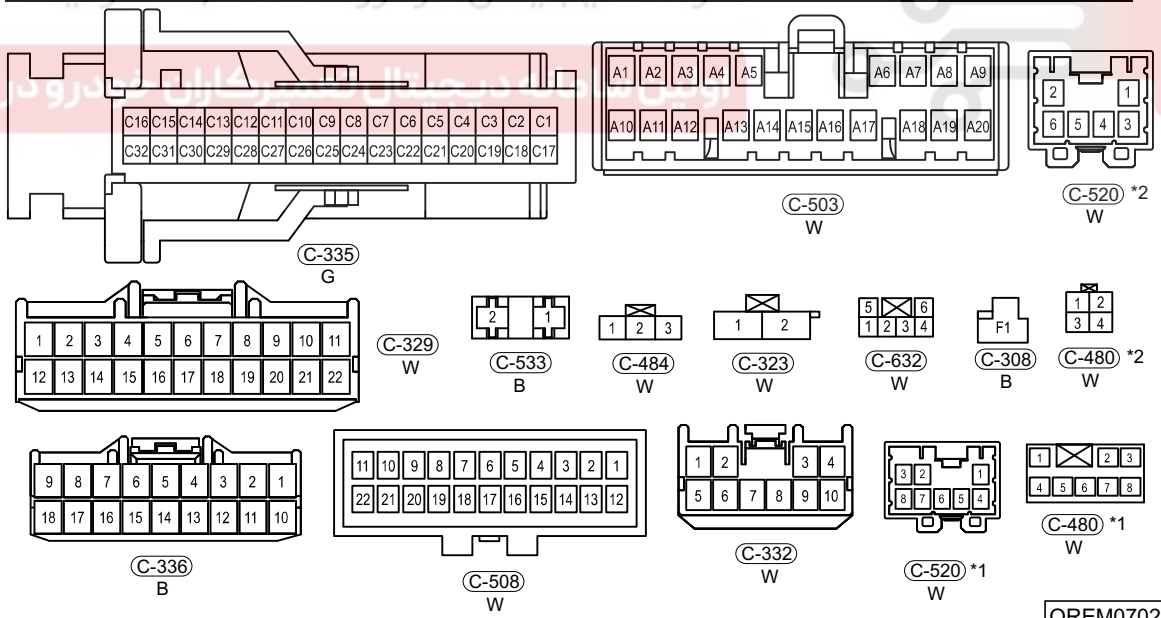
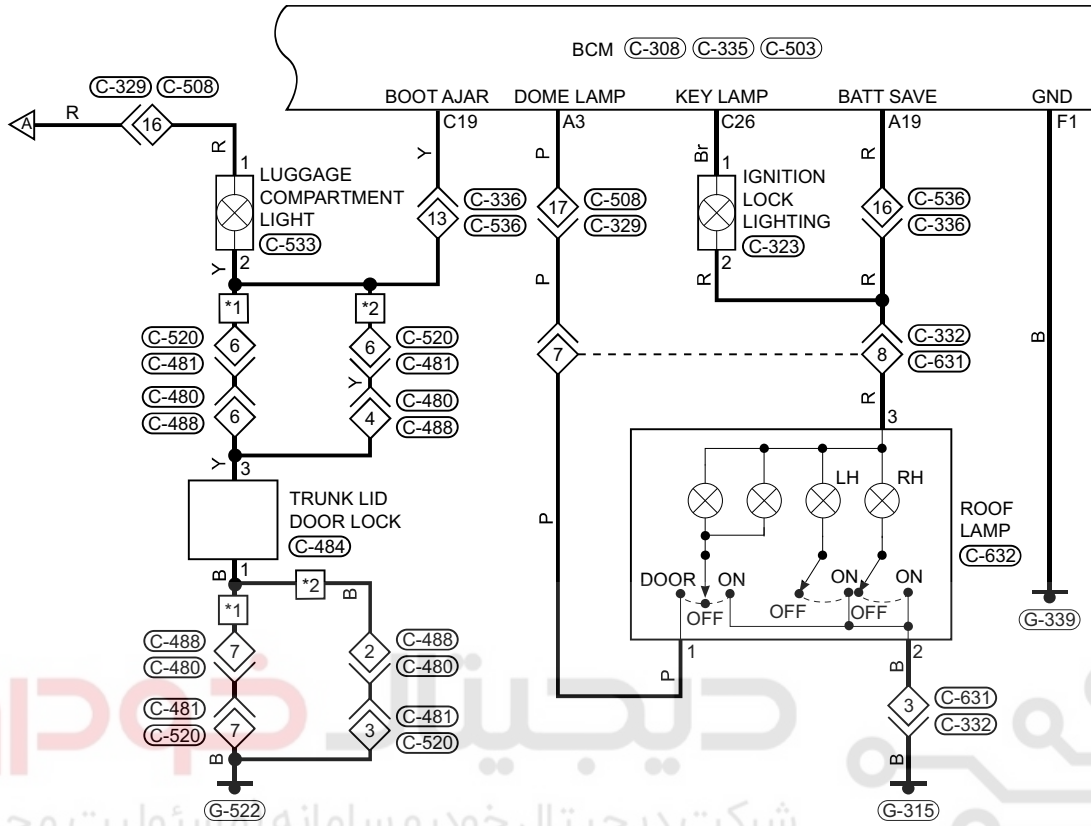
9.2 Circuit diagrams

Interior lights (page 1)



Interior lights (page 2)

*1: For A13AFL model
*2: For A13FL model



QREM070230