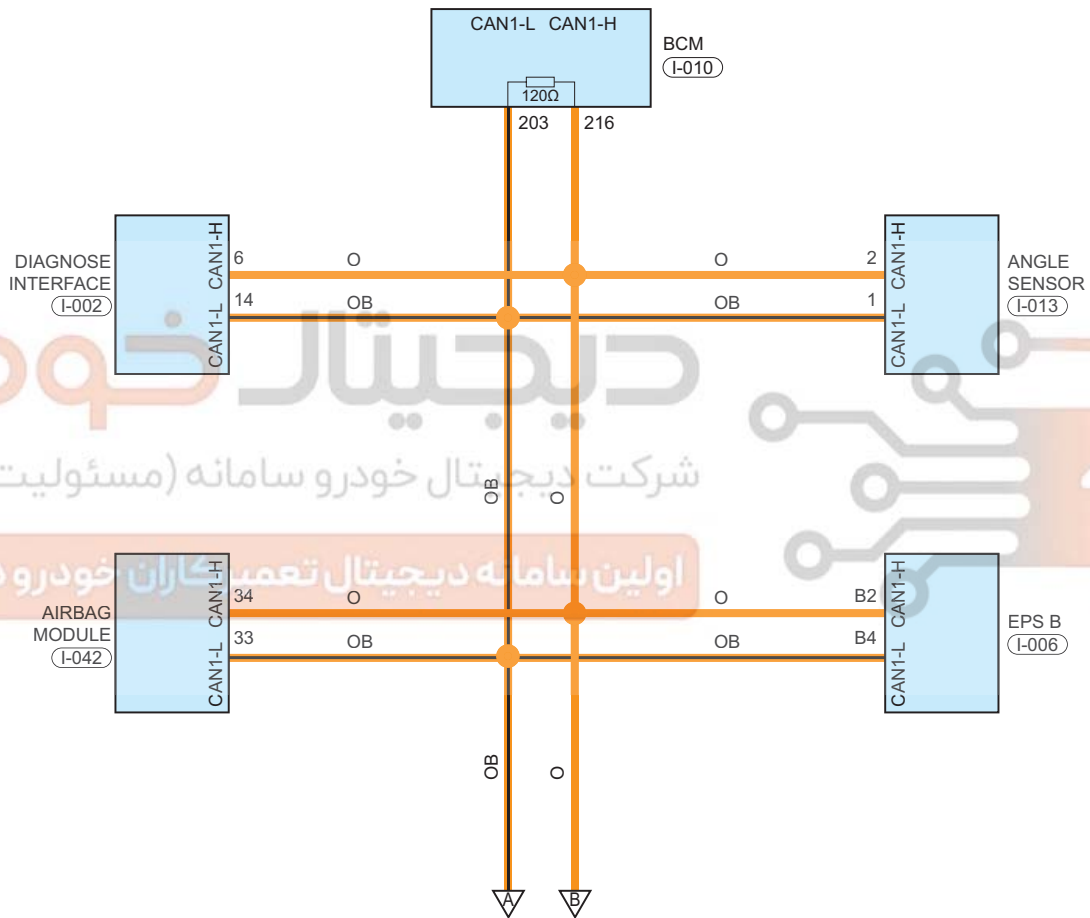


CAN System

Circuit Diagram (Page 1 of 4)



09

CAE001001

Parts Location

Connector Code	See Page	Connector Code	See Page	Connector Code	See Page
I-010	08-12	I-002	08-12	I-013	08-12
I-042	08-12	I-006	08-12		

Form of Connector

Connector Code	See Page	Connector Code	See Page	Connector Code	See Page
I-010	12-4	I-002	12-4	I-013	12-4
I-042	12-4	I-006	12-4		

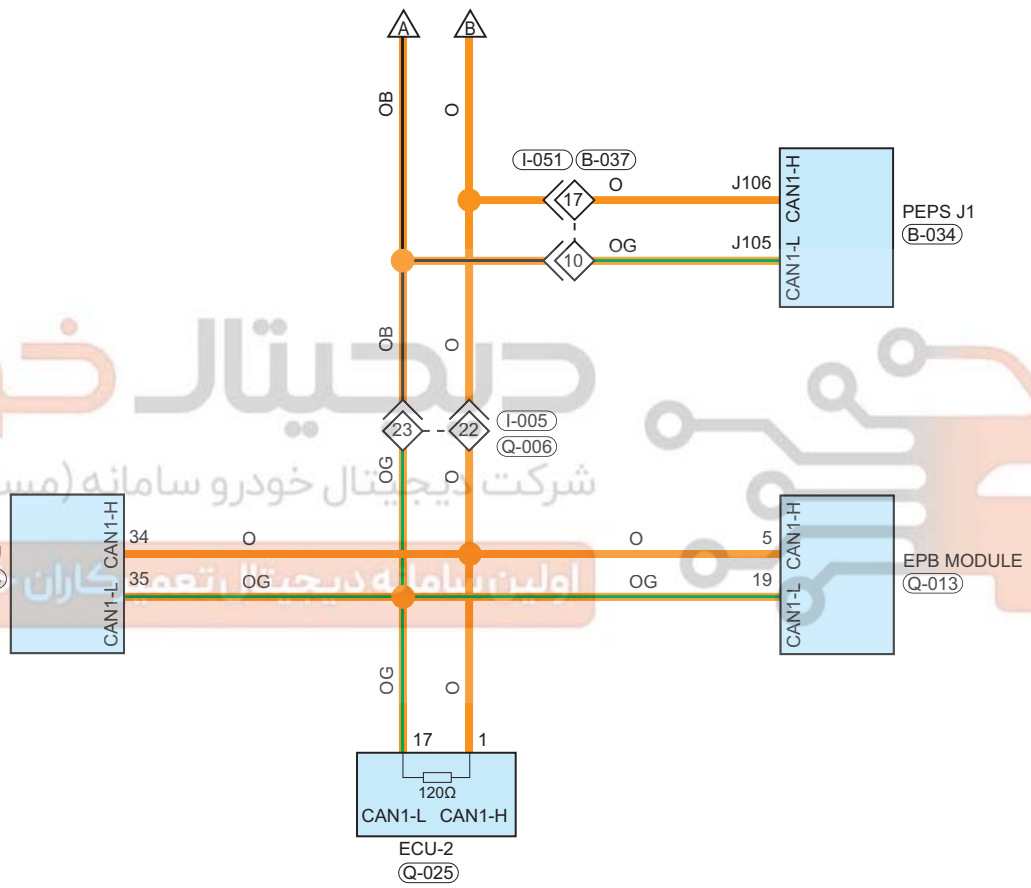
دیجیتال خودرو

شرکت دیجیتال خودرو سامانه (مسئولیت محدود)

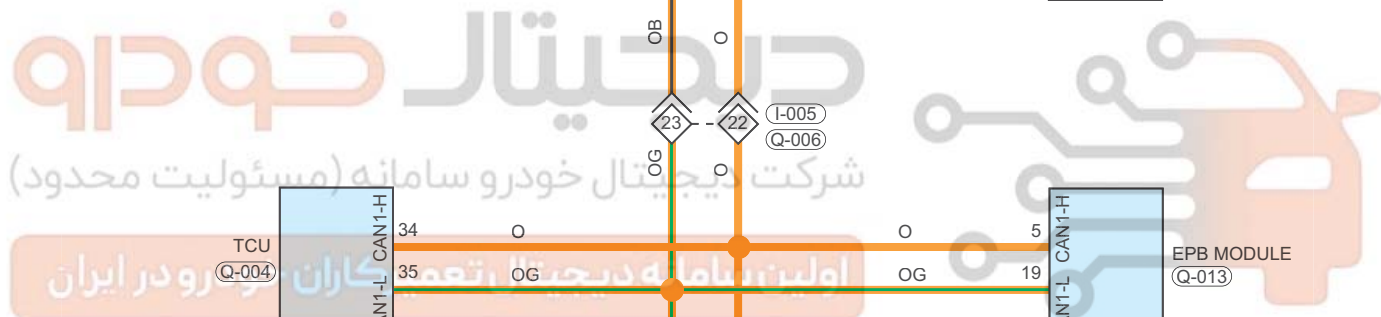
اولین سامانه دیجیتال تعمیرکاران خودرو در ایران



Circuit Diagram (Page 2 of 4)



09



CAE002001

Parts Location

Connector Code	See Page	Connector Code	See Page	Connector Code	See Page
B-034	08-16	Q-004	08-6	Q-013	08-6
Q-025	08-6				

Location of Junction Connector

Connector Code	See Page	Connector Code	See Page	Connector Code	See Page
I-051, B-037	08-12	I-005, Q-006	08-12		

Form of Connector

Connector Code	See Page	Connector Code	See Page	Connector Code	See Page
B-034	12-8	Q-004	12-16	Q-013	12-16
Q-025	12-16	I-051, B-037	12-4	I-005, Q-006	12-4

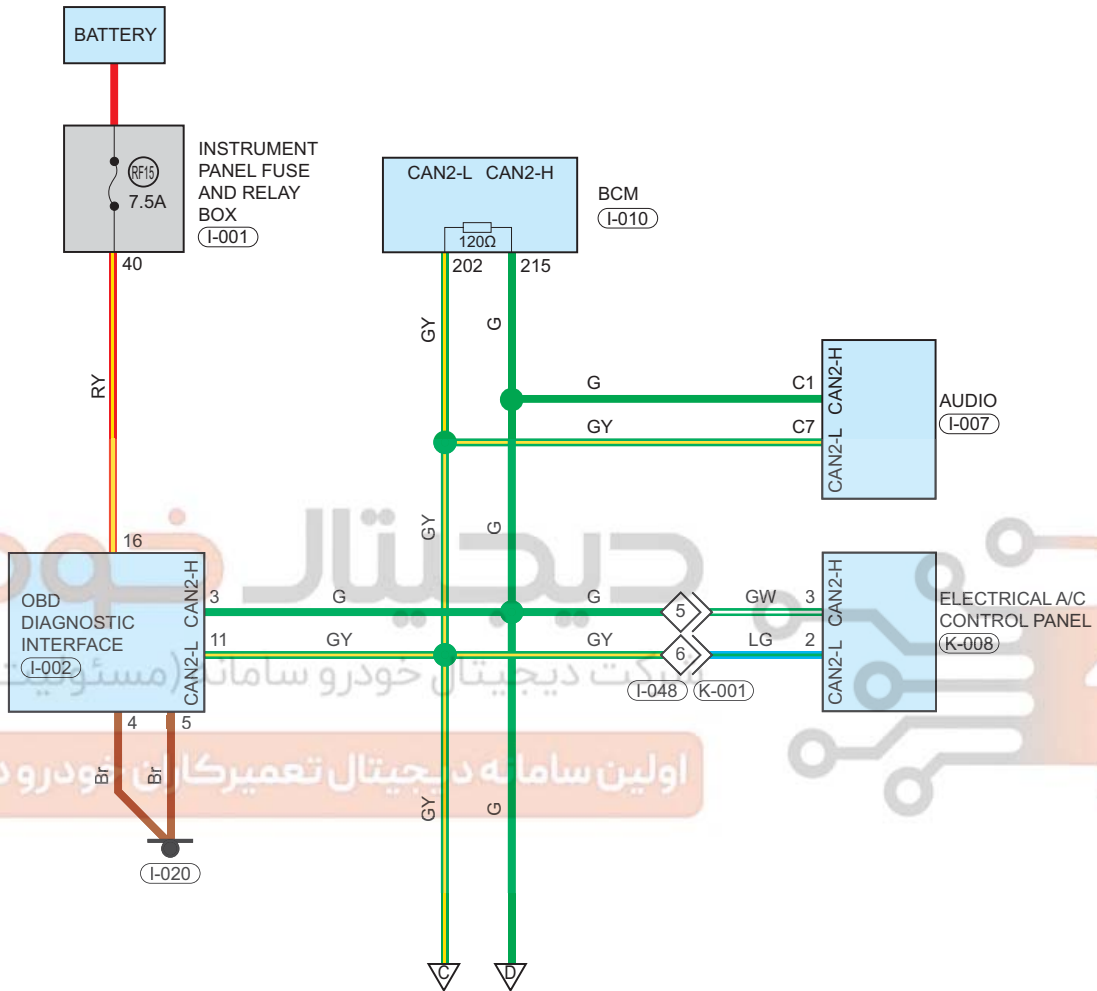
دیجیتال خودرو

شرکت دیجیتال خودرو سامانه (مسئولیت محدود)

اولین سامانه دیجیتال تعمیرکاران خودرو در ایران



Circuit Diagram (Page 3 of 4)



09

CAE003001

Parts Location

Connector Code	See Page	Connector Code	See Page	Connector Code	See Page
I-001	08-12	I-002	08-12	I-020	08-12
I-010	08-12	I-007	08-12	K-008	08-31

Fuse and Relay

Fuse/Relay	See Page	Fuse and Relay Box
RF15	06-8	Instrument Panel Fuse and Relay Box

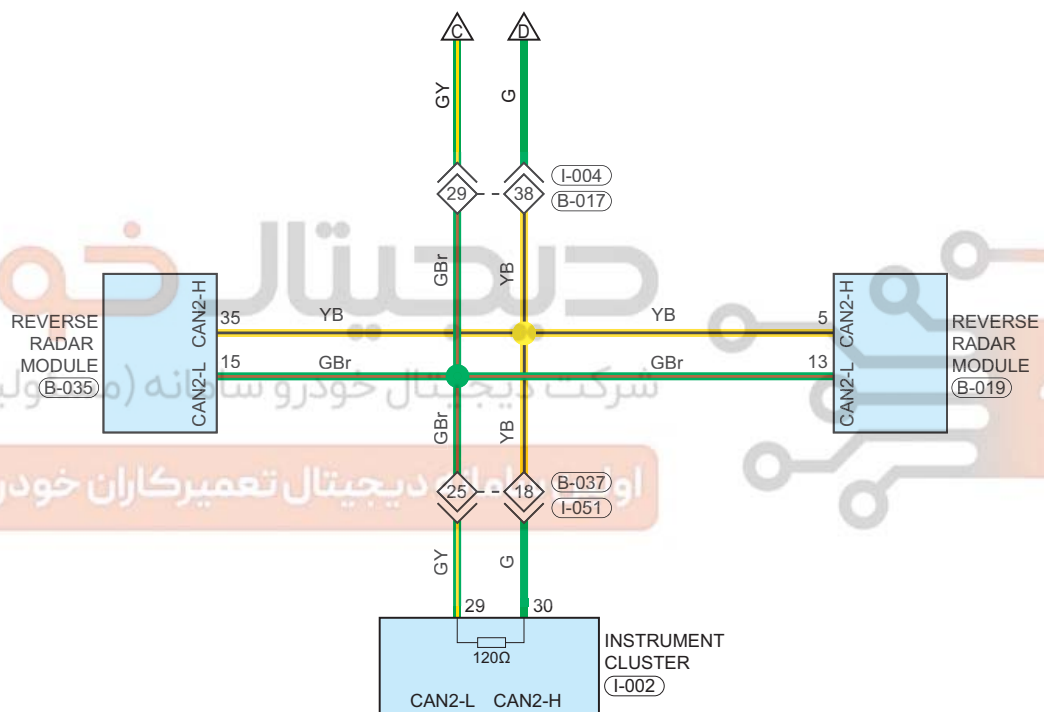
Location of Junction Connector

Connector Code	See Page	Connector Code	See Page	Connector Code	See Page
I-048, K-001	08-12				

Form of Connector

Connector Code	See Page	Connector Code	See Page	Connector Code	See Page
I-001	12-4	I-002	12-4	I-020	12-4
I-010	12-4	I-007	12-4	K-008	12-12
I-048, K-001	12-4				

Circuit Diagram (Page 4 of 4)



09

CAE004001