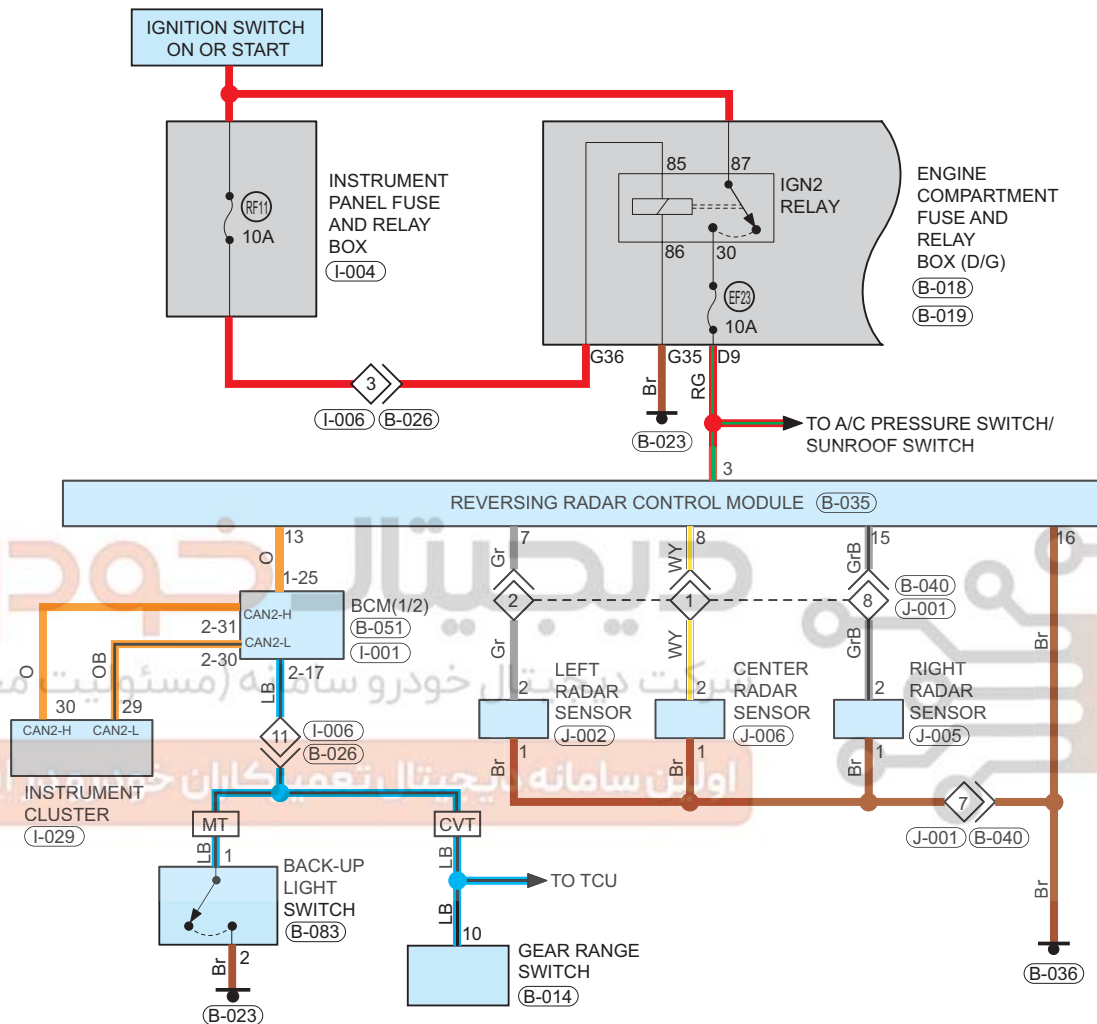


Reversing Radar System

Circuit Diagram (Page 1 of 1)



09

EM1A090590