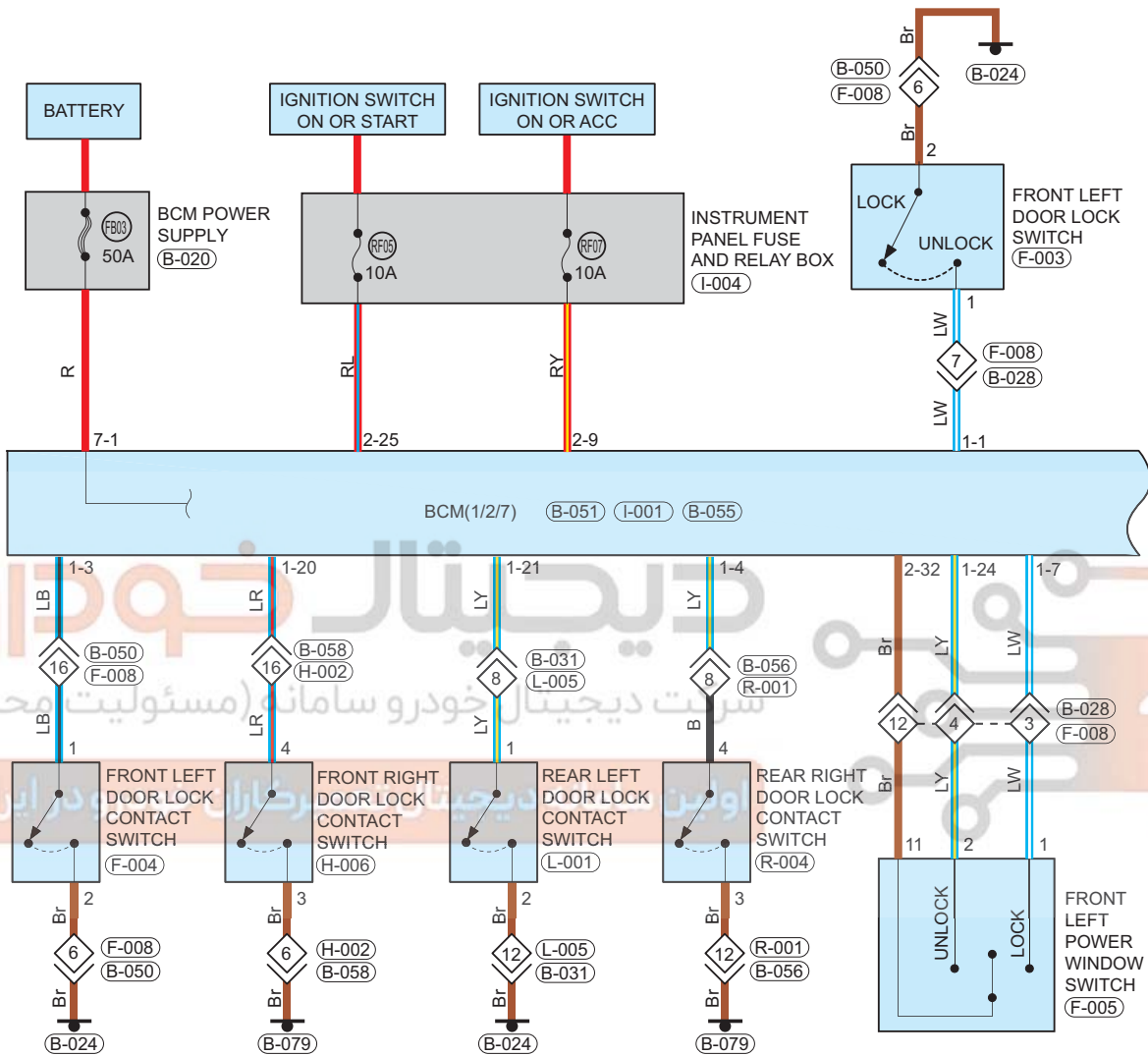


Door Lock

Circuit Diagram (Page 1 of 2)



EM1A090510

09 - SYSTEM CIRCUITS

Parts Location

Connector Code	See Page	Connector Code	See Page	Connector Code	See Page
I-004	08-8	F-003	08-17	I-001	08-8
B-020	08-11	B-055	08-11	B-051	08-11
F-004	08-17	F-005	08-17	H-006	08-18
L-001	08-19	R-004	08-20		

Fuse and Relay

Fuse/Relay	See Page	Fuse and Relay Box
RF05	06-13	Instrument Panel Fuse and Relay Box
RF07	06-13	Instrument Panel Fuse and Relay Box
FB03	06-2	Power Fuse Box

Location of Junction Connector

Connector Code	See Page	Connector Code	See Page	Connector Code	See Page
B-050, F-008	08-11, 08-17	B-028, F-008	08-11, 08-17	B-058, H-002	08-11, 08-18
B-031, L-005	08-11, 08-19	B-056, R-001	08-11, 08-20		

Form of Connector

Connector Code	See Page	Connector Code	See Page	Connector Code	See Page
I-001	12-4	I-004	12-4	F-003	12-10
B-020	12-6	B-051	12-8	B-055	12-8
F-004	12-10	F-005	12-10	H-006	12-10
L-001	12-11	R-004	12-11	B-050, F-008	12-8, 12-10
B-058, H-002	12-8, 12-10	B-031, L-005	12-7, 12-11	B-028, F-008	12-7, 12-10
B-056, R-001	12-8, 12-11				

Circuit Diagram (Page 2 of 2)

