

# Repair Manual for Brilliance V5

## Fuel Supply System

دیجیتال خودرو

شرکت دیجیتال خودرو سامانه (مسئولیت محدود)

اولین سامانه دیجیتال تعمیرکاران خودرو در ایران



## Table of Contents

Section I	Overview .....	1
Section II	Composition of Fuel Supply System.....	2
Section III	Preliminary Operation before Dismantlement.....	5
Section IV	Dismantlement and Installation .....	6

# دیجیتال خودرو

شرکت دیجیتال خودرو سامانه (مسئولیت محدود)

اولین سامانه دیجیتال تعمیرکاران خودرو در ایران



## Section I Overview

The fuel supply system is mainly composed of: fuel tank body, fuel inlet pipe, fuel return pipe, fuel pump, fuel filter, breather pipe, fuel filling pipe assembly, fuel tank hanging strip, carbon canister, carbon canister bracket, evaporation hose, and fuel pipe.

For the purpose of improving the safety, the fuel tank is mounted under the floor at rear seat.

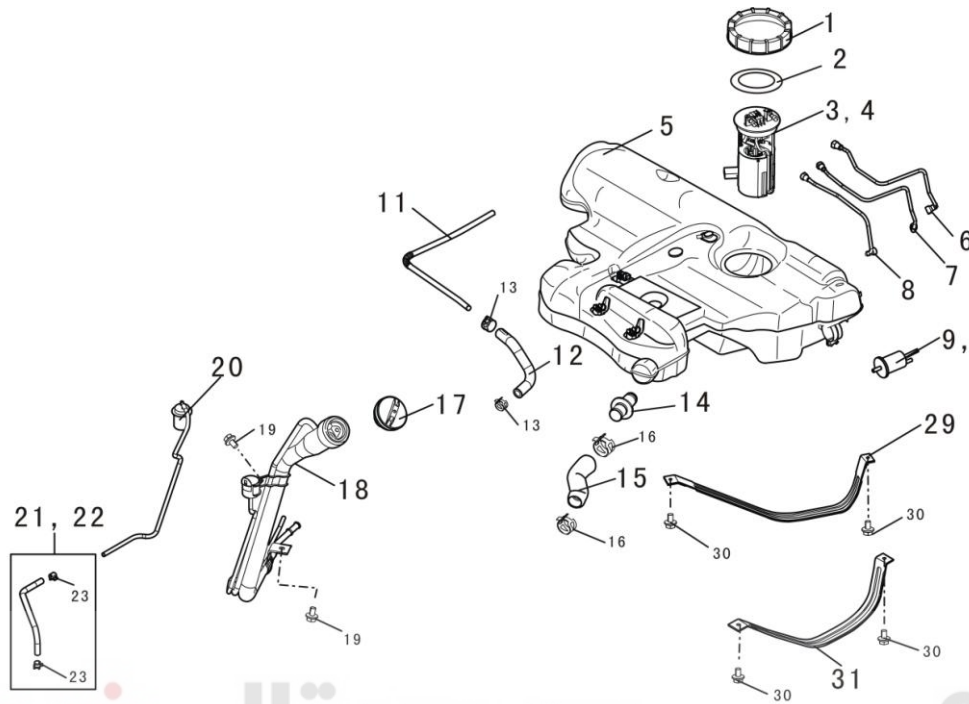
دیجیتال خودرو

شرکت دیجیتال خودرو سامانه (مسئولیت محدود)

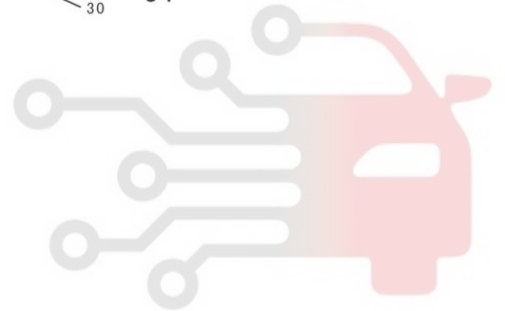
اولین سامانه دیجیتال تعمیرکاران خودرو در ایران

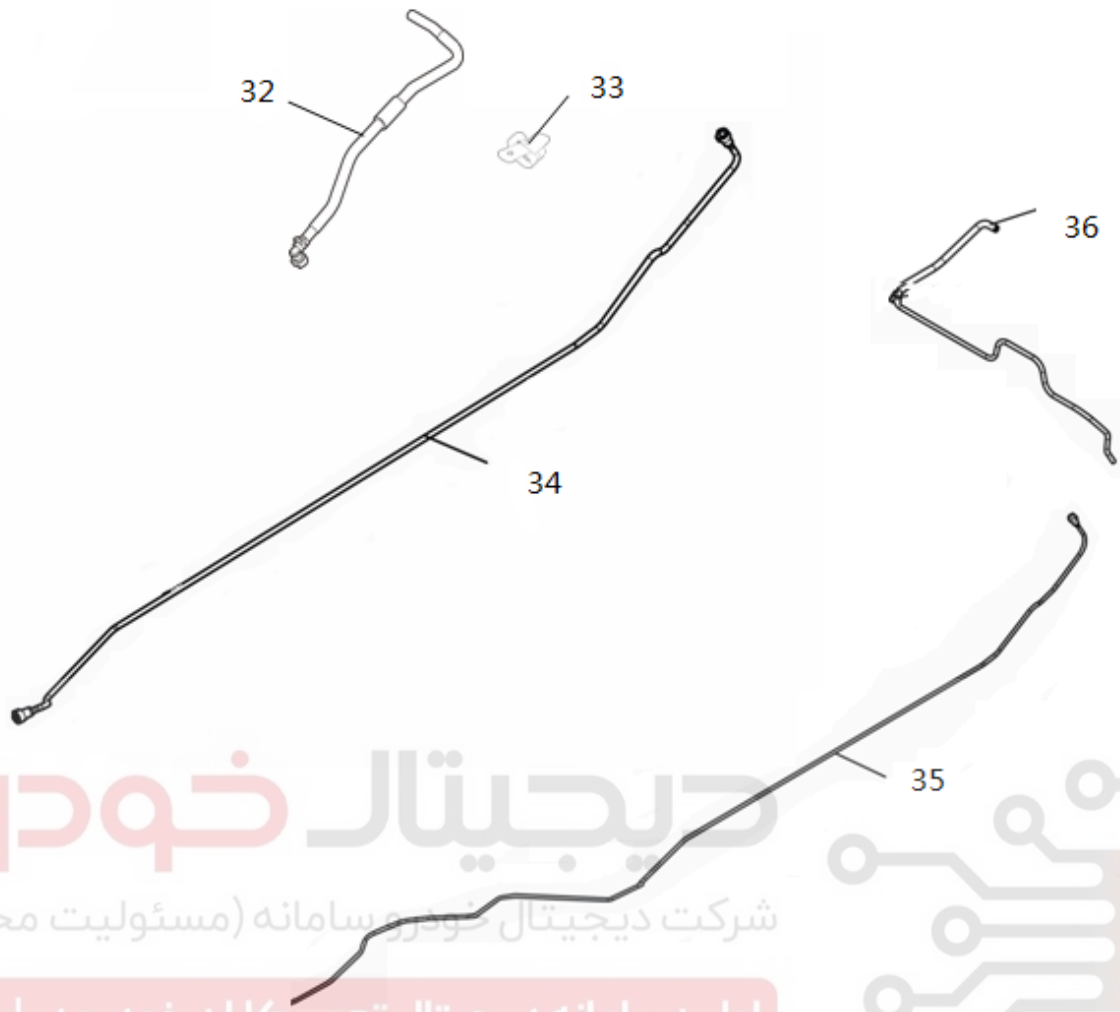


## Section II Composition of Fuel Supply System



**دیجیتال خودرو**  
شرکت دیجیتال خودرو سامانه (مسئولیت محدود)  
اولین سامانه دیجیتال تعمیرکاران خودرو در ایران





دیجیتال خودرو  
شرکت دیجیتال خودروسامانه (مسئولیت محدود)

اولین سامانه دیجیتال تعمیرکاران خودرو در ایران



**List of Components**

1	Fuel pump fixing ring	1	11	Breather pipe for fuel filling port	1
2	Fuel pump sealing ring	1	12	Breather hose for fuel filling port	1
3	Fuel pump & buoy assembly -1.6	1	13	Steel belt type elastic hoop 17 (Fix the part No. 3483010 and the part No. 3483030\fuel fuel filling pipe)	2
4	Fuel pump & buoy assembly -1.5T	1	14	Fuel filling port neck	1
5	Fuel tank body	1	15	Lower hose of fuel filling pipe	1
6	Lower fuel return pipe assembly	1	16	Clamp of worm gear and worm 32-50 (to connect the part No. 3483011 and the part No. 3483001\fuel fuel filling pipe )	2
		1	17	Fuel filling port cover assembly	1
8	Fuel inlet pipe – from fuel pump to filter	1	18	Fuel filling pipe assembly	1
9	Fuel filter	1	19	Combined bolt M8*20 (Fix the fuel filling pipe and vehicle body)	2
10		1	20	Rollover safety valve assembly	1

21	Evaporation hose	1		31	Fuel tank hanging strip (right )	1
22	Vacuum hose	1		32	Fuel inlet pipe - from engine compartment to engine	1
23	Steel belt type elastic hoop 12 (to connect the vacuum hose\evaporation hose and carbon canister; to connect the vacuum hose \evaporation hose and rollover safety valve \evaporation hose assembly)	4		33	Fuel pipe bracket	1
24	Carbon canister assembly	1		34	Evaporation hose assembly	1
25	Breather pipe for carbon canister	1		35	Fuel inlet pipe – from filter to engine compartment	1
26	Carbon canister bracket assembly	1		36	Evaporation pipe 2	1
27	Flange plate locking nut M8 (Fix the carbon canister bracket and vehicle body)	1				
28	Combined bolt M6*20 (Fix the carbon canister bracket)	1				
29	Fuel tank hanging strip (left)	1				
30	Combined bolt M8*30 (Fix the fuel tank hanging strip and vehicle body)	5				1
						1

# دیجیتال خودرو

شرکت دیجیتال خودرو سامانه (مسئولیت محدود)

اولین سامانه دیجیتال تعمیرکاران خودرو در ایران



### Section III Preliminary Operation before Dismantlement

- (1) There is pressure in fuel pipeline, and before the dismantlement, be sure to wrap the hose joint with cloth, and carefully screw off the joint while releasing the pressure.
- (2) Sort out various pipelines, and only in this way can they be reinstalled to the original position.
- (3) Ensure that there is sufficient clearance e between moving parts and heated parts.
- (4) Be sure to wear the oil-proof gloves, so as to prevent the contact between skin and fuel.

دیجیتال خودرو

شرکت دیجیتال خودرو سامانه (مسئولیت محدود)

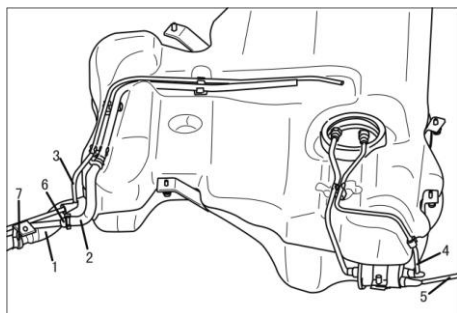
اولین سامانه دیجیتال تعمیرکاران خودرو در ایران



## Section IV Dismantlement and Installation

### I. Dismantlement Steps

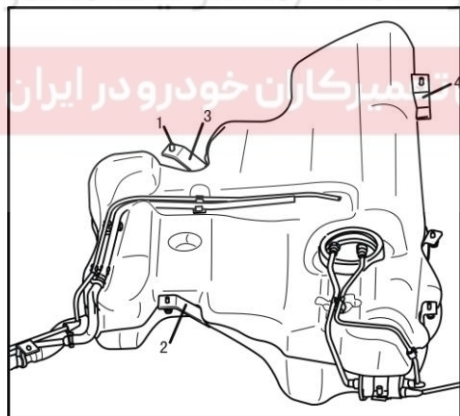
- 1) Dismantle the rear axle
- 2) Dismantle the fuel pipe and breather pipe



- (1) Lower hose of fuel filling pipe
- (2) Breather pipe of fuel filling port
- (3) Evaporation hose – from fuel tank to evaporation pipe
- (4) Lower fuel return pipe assembly
- (5) Fuel inlet pipe - from filter to engine compartment
- (6) Elastic hoop [1]
- (7) Clamp of worm gear and worm 32-50 (to connect the lower hose of fuel filling pipe and fuel tank\fuel filling pipe) [1] Torque: 3-5Nm.

Before dismantling the fuel tank, firstly disconnect all pipes which are connected to fuel tank, and then dismantle the parts (2), (3), (4) and (5).

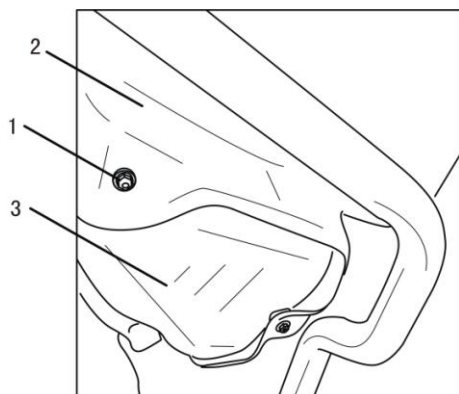
- 3) Dismantle the fuel tank & accessory assembly



- (1) Combined bolt M8\*30 (Install the left/right hanging strip and vehicle body [2+2]; torque: 30-40Nm)
- (2) Right fuel tank hanging strip
- (3) Left fuel tank hanging strip
- (4) Combined bolt M8\*30 (Install the fuel tank and vehicle body [1]; torque: 30-40Nm)

When dismantling the fuel tank & accessory assembly, remove the combined bolt and dismantle the fuel tank hanging strips firstly.

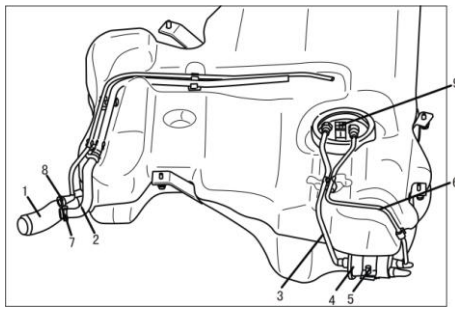
- 4) Thermal insulating board for fuel tank



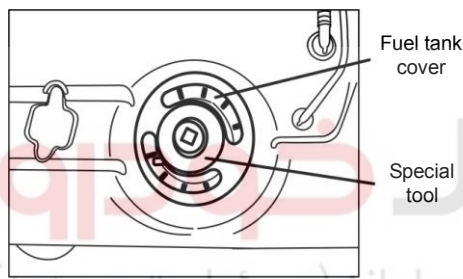
- (1) Combined nut M6 (Install the thermal insulating board) [4]
- (2) Thermal insulating board for fuel tank
- (3) Fuel tank



5) Fuel inlet pipe, fuel return pipe, filter, breather pipe for fuel filling port, lower hose of fuel filling pipe, fuel pump



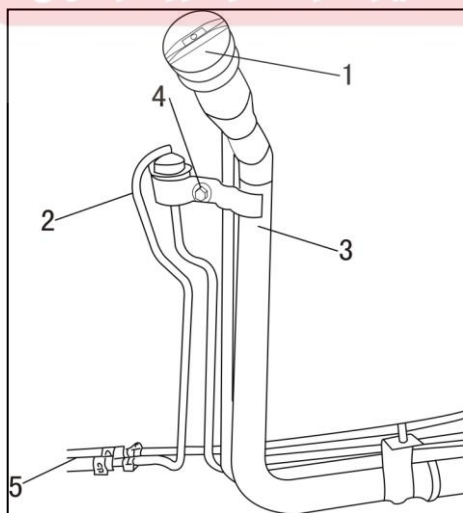
1. Lower hose of fuel filling pipe
2. Breather pipe for fuel filling port
3. Fuel inlet pipe
4. Fuel filter
5. Screw
6. Lower fuel return pipe assembly
7. Elastic hoop [1+1]
8. Elastic hoop [1+1]
9. Fuel pump



Use the special tool to tighten up the fuel tank cover, so as to avoid the damage to fuel tank. The tightening torque is 65N.m-75N.m.

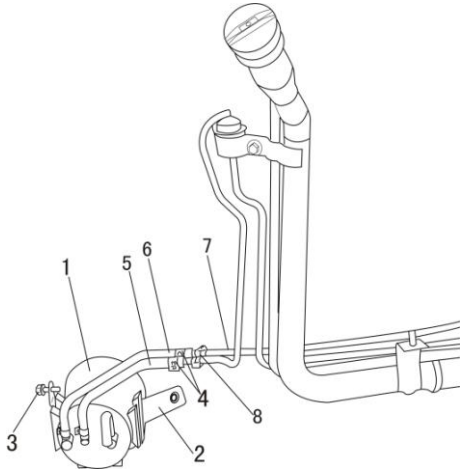


6) Fuel filling pipe assembly



1. Fuel filling port cover
2. Rollover safety valve assembly
3. Fuel filling pipe assembly
4. Combined bolt M8\*20 (Install the part No. 3483008 and vehicle body) [1+1]; torque: 30-40Nm.
5. Vacuum hose

7) Carbon canister



1. Carbon canister [1]
2. Carbon canister bracket assembly [1]
3. Combined bolt [1+1]
4. Hoop [1+1]
5. Vacuum hose
6. Breather hose [1]
7. Evaporation pipe assembly [1]
8. Rollover safety valve [1]

Before dismantling the carbon canister, loose the hoop 4 firstly, and then remove the combined bolt.

دیجیتال خودرو

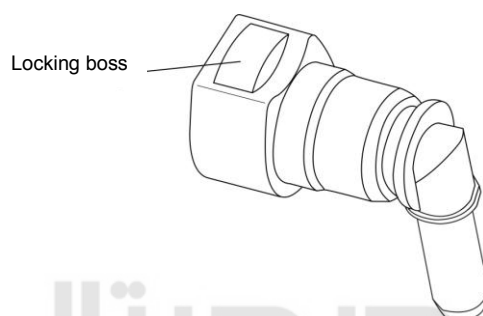
شرکت دیجیتال خودرو سامانه (مسئولیت محدود)

اولین سامانه دیجیتال تعمیرکاران خودرو در ایران



## II. Notices for Dismantlement and Installation

- (1) Insert the rubber hose until it reaches the boss of rubber hose joint.
- (2) Mount the combined bolt for hanging strip (torque: 30-40Nm).
- (3) Please use the special tool to tighten up the fuel tank cover, so as to avoid the damage to fuel tank. The tightening torque is 65N.m-75N.m.
- (4) When installing the fuel pump, get the matching marks on fuel pump and fuel tank aligned with each other.
- (5) When installing the filter, make the mark "OUT" parallel to and under the fuel tank, and the mark "OUT" indicates the fuel outlet.
- (6) The tightening torque for clamp of worm gear and worm is 3N.m-4N.m.



- (7) When dismantling the plug-in joint, be sure to operate as indicated in the figure below, and then remove the pipeline, so as to avoid the damage to plug-in joint.

- (8) Requirement on cleanliness:

- a. After disconnecting the joint, be sure to thoroughly clean up the joint and surrounding areas.
- b. The parts removed shall be placed in a clean place and be properly covered.
- c. If the parts removed are not repaired immediately, be sure to get them properly covered.
- d. The parts installed shall be clean.

### III. Remarks

When replacing the fuel pump and buoy, the operation may be carried out through the inspection hole under the rear seat cushion, and it is unnecessary to remove the fuel tank.

دیجیتال خودرو

شرکت دیجیتال خودرو سامانه (مسئولیت محدود)

اولین سامانه دیجیتال تعمیرکاران خودرو در ایران

