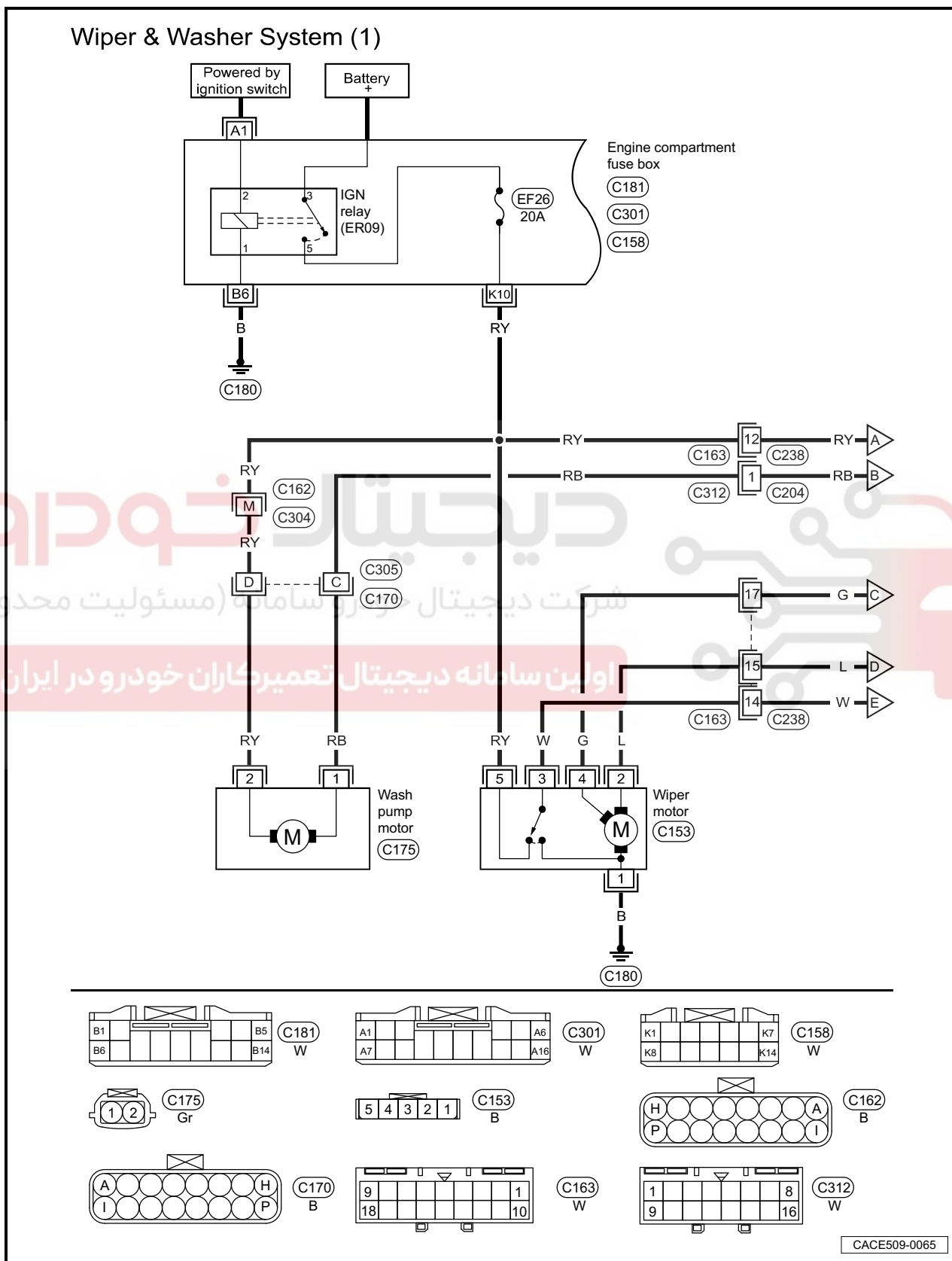


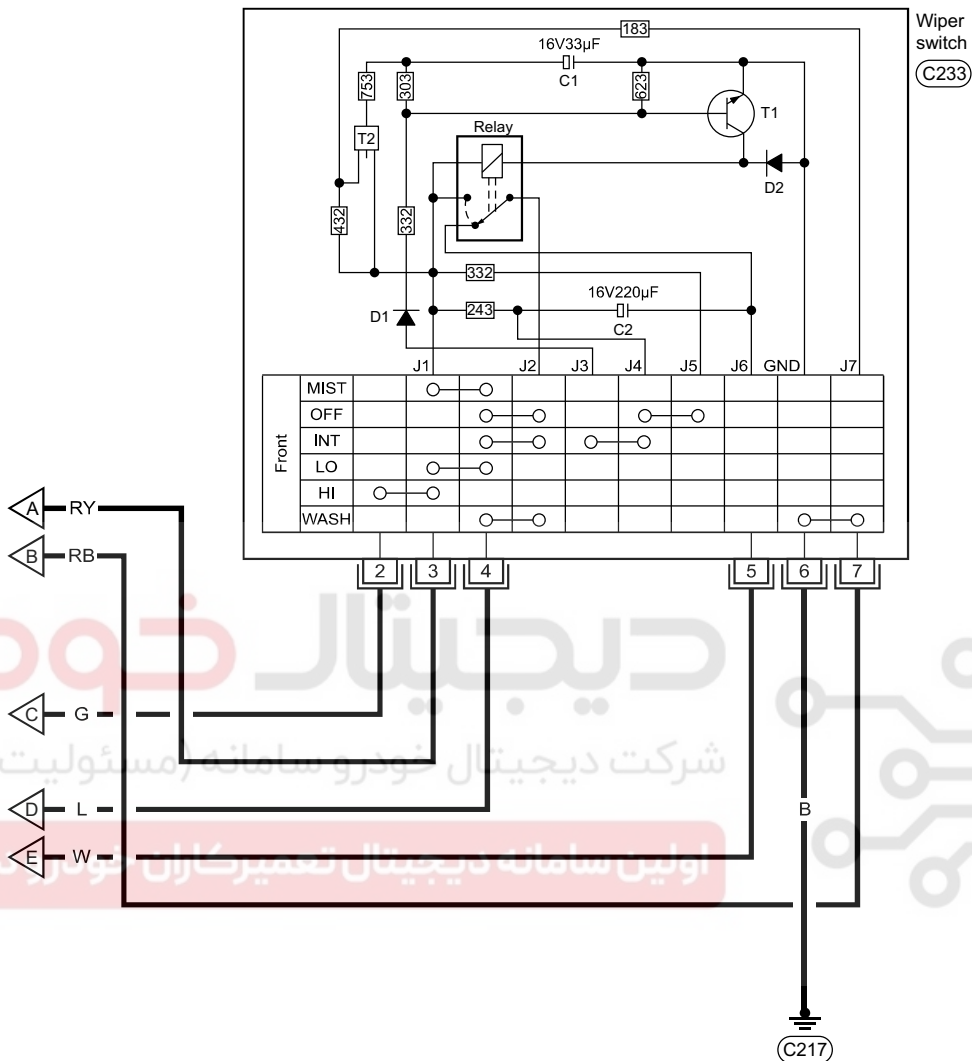
12.2 Diagnosis and Inspection

12.2.1 System Circuit Diagram

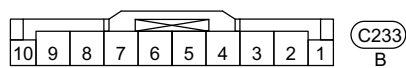


07 - Electrical Equipment

Wiper & Washer System (2)



07



CACE509-0066