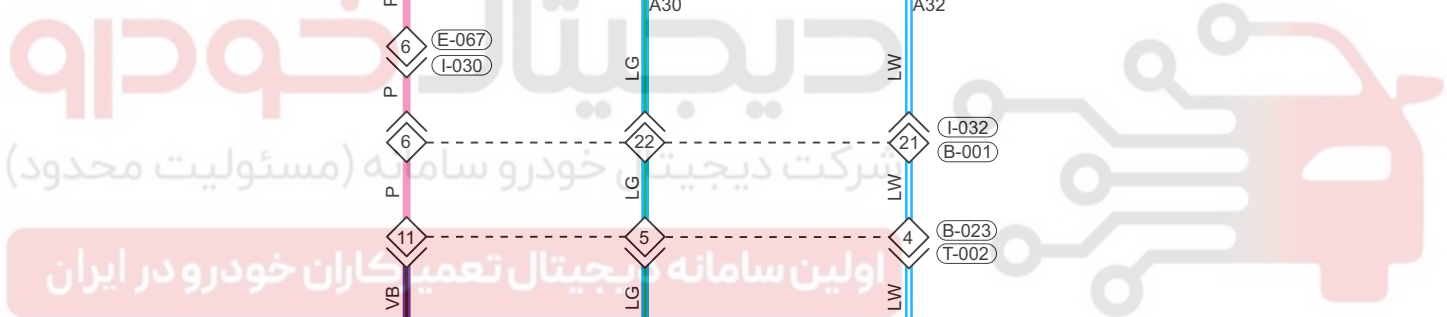
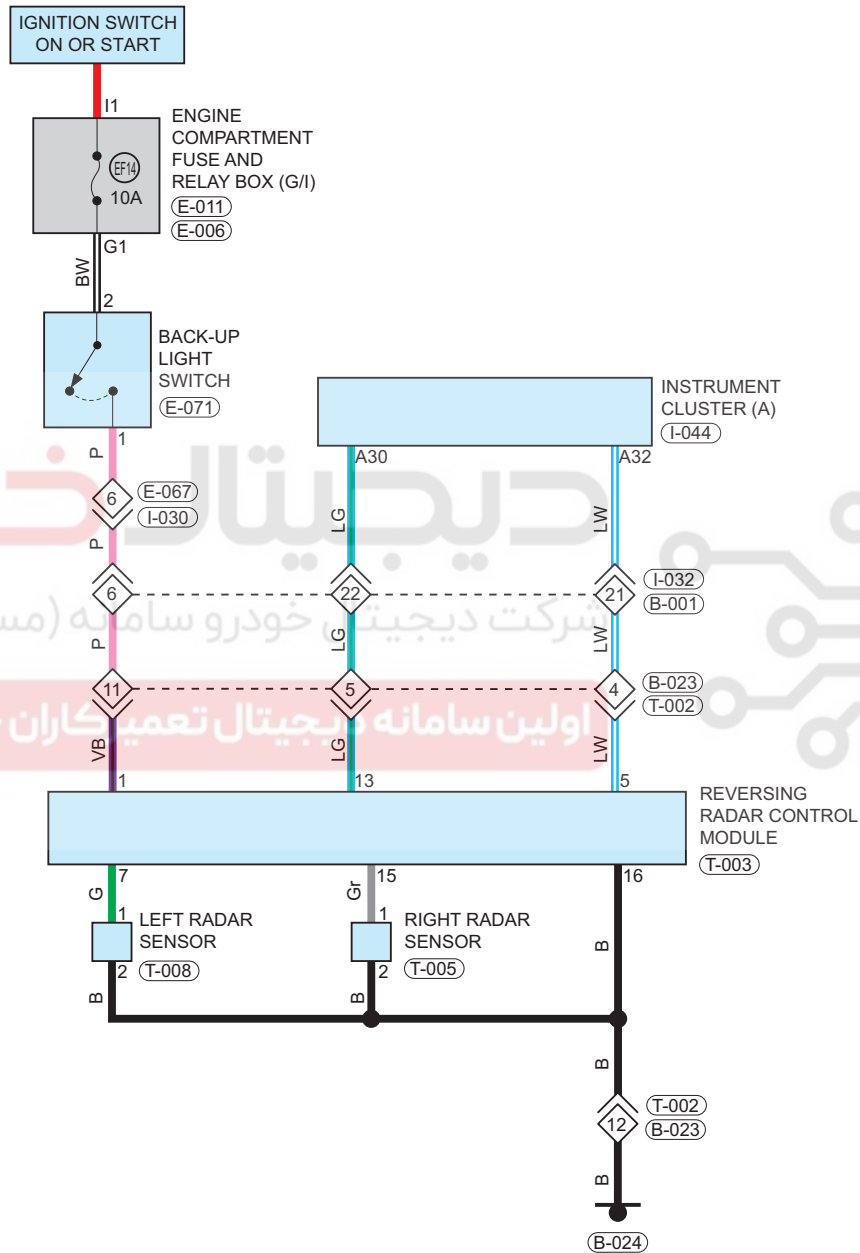


Reversing Radar System

Circuit Diagram (Page 1 of 2)

For MT



09

Parts Location

Connector Code	See Page	Connector Code	See Page	Connector Code	See Page
E-011	08-4	E-006	08-4	E-071	08-4
I-044	08-12	T-003	08-23	T-008	08-23
T-005	08-23	B-024	08-17		

Fuse and Relay

Fuse/Relay	See Page	Fuse and Relay Box
EF14	06-5	Engine Compartment Fuse and Relay Box

Location of Junction Connector

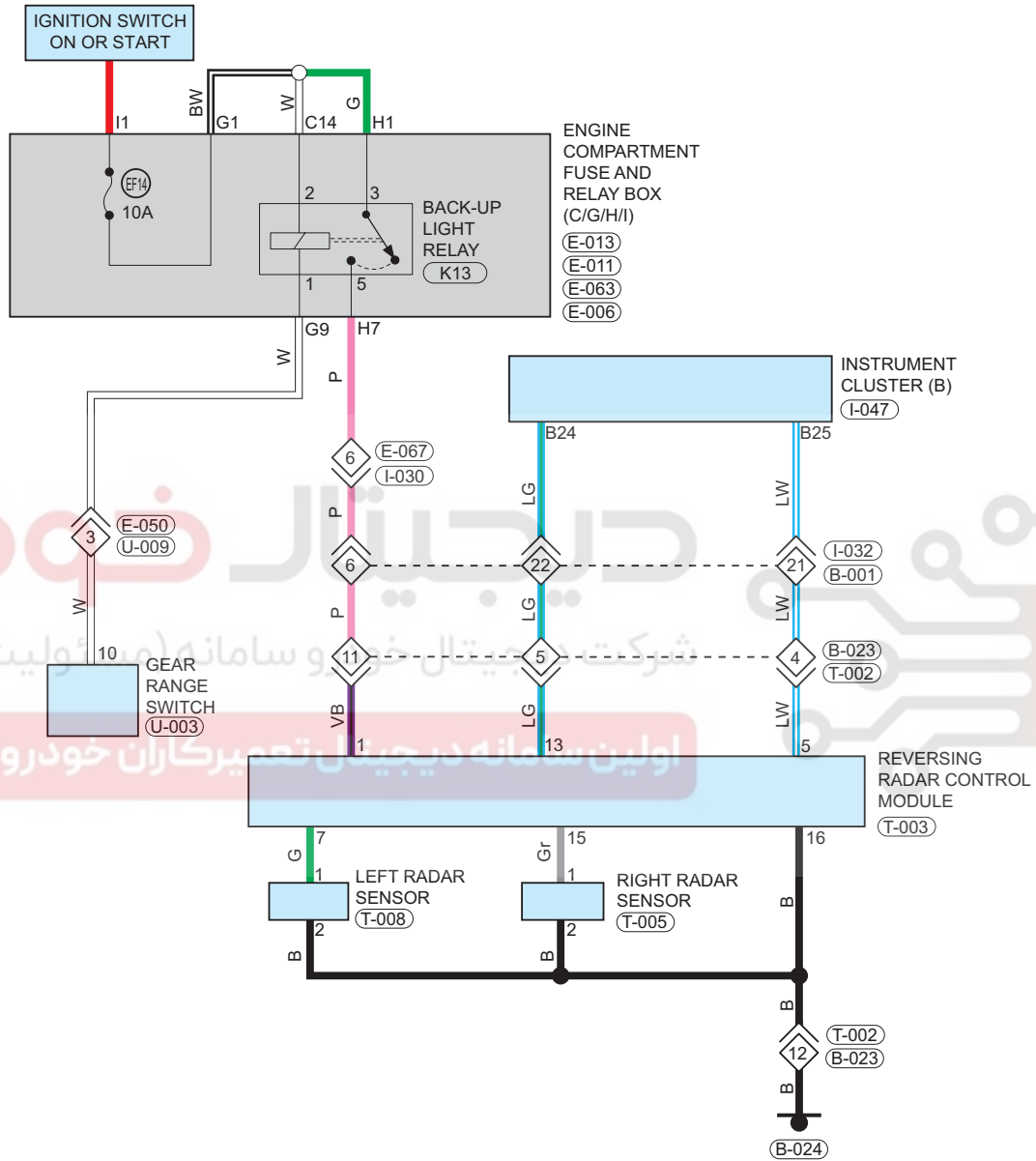
Connector Code	See Page	Connector Code	See Page	Connector Code	See Page
E-067, I-030	08-4, 08-12	I-032, B-001	08-12, 08-17	B-023, T-002	08-17, 08-23

Form of Connector

Connector Code	See Page	Connector Code	See Page	Connector Code	See Page
E-011	12-2	E-006	12-2	E-071	12-5
I-044	12-10	T-003	12-19	T-008	12-19
T-005	12-19	B-024	12-14	E-067, I-030	12-5
I-032, B-001	12-10	B-023, T-002	12-14		

Circuit Diagram (Page 2 of 2)

For CVT



09

ET11090710