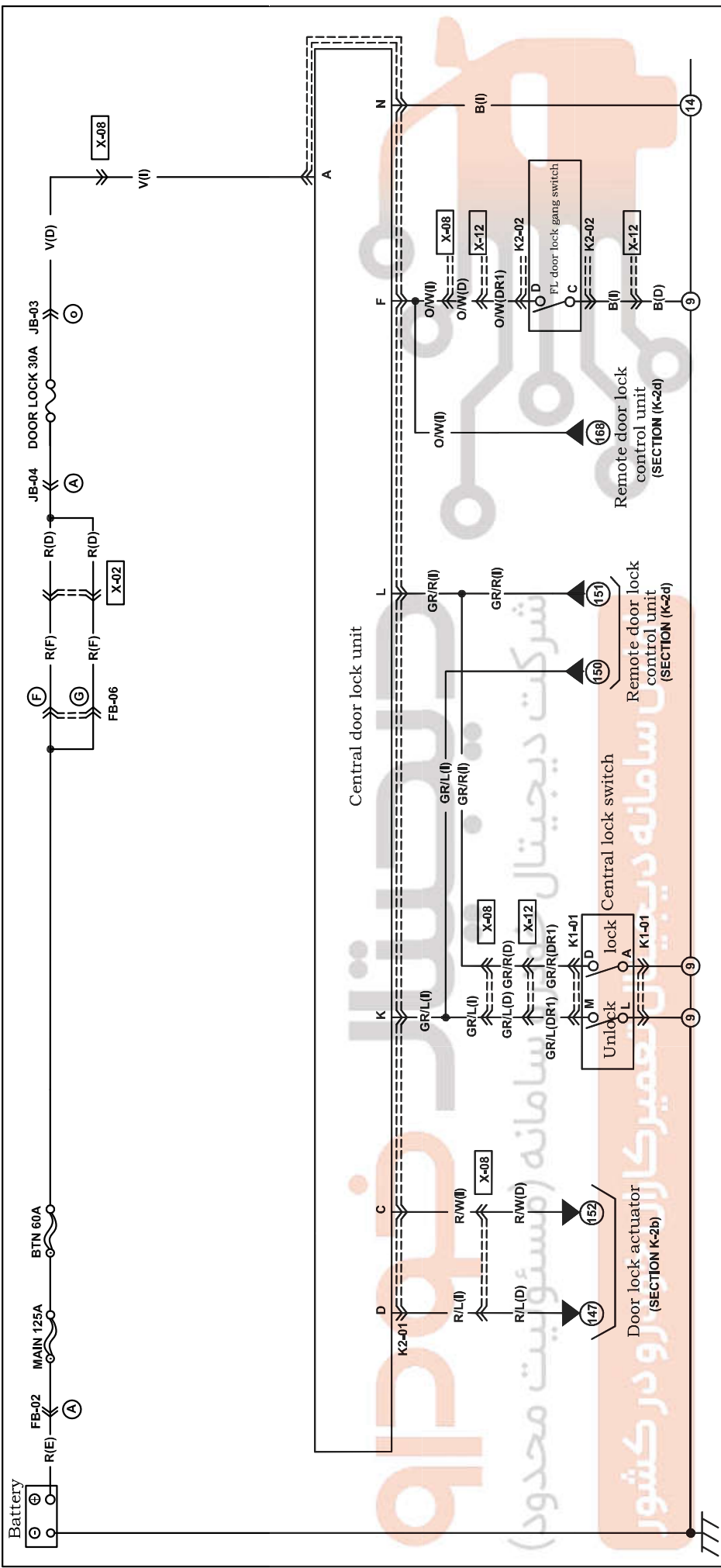
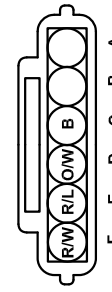


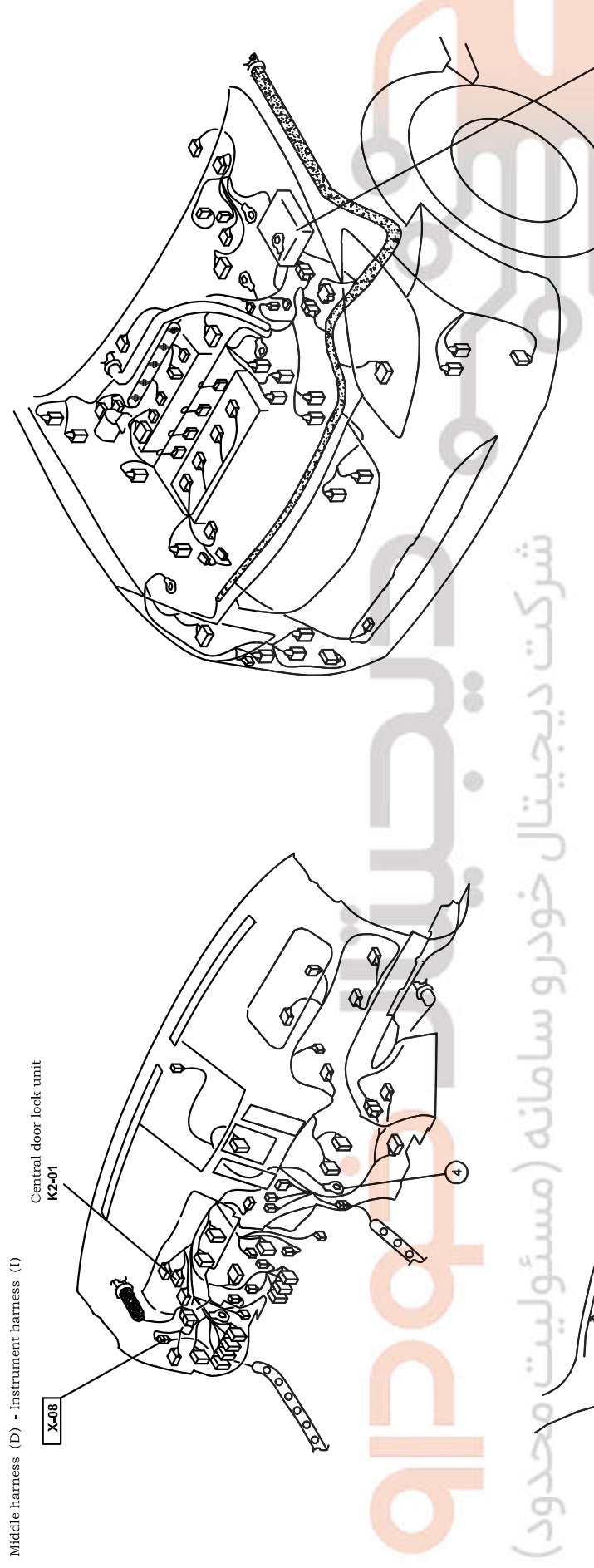
Remote and central door lock system

K-2a



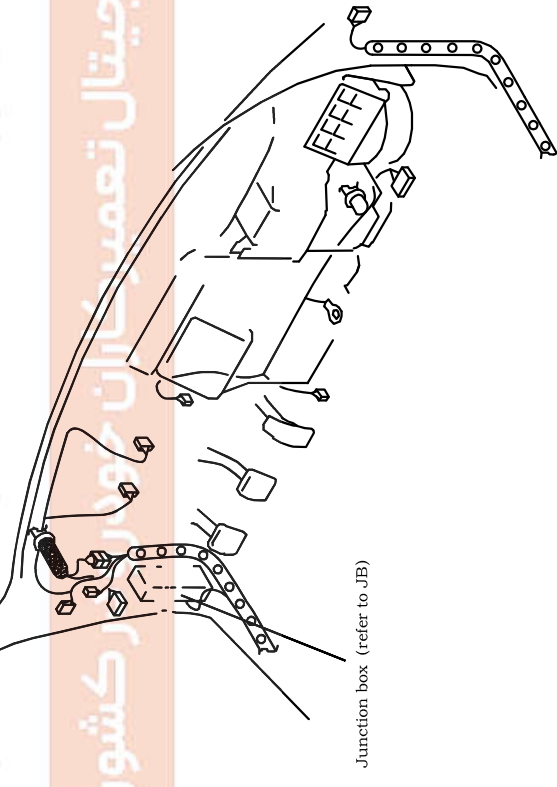
<p>K2-01 Central door lock unit (D)</p> <table border="1" data-bbox="1149 1657 1276 1993"> <tr> <td>M</td> <td>*</td> <td>GR/L</td> <td>*</td> <td>R/W</td> <td>V</td> </tr> <tr> <td>B</td> <td>GR/R</td> <td>*</td> <td>O/W</td> <td>R/L</td> <td>*</td> </tr> <tr> <td>N</td> <td></td> <td></td> <td></td> <td></td> <td></td> </tr> <tr> <td>A</td> <td></td> <td></td> <td></td> <td></td> <td></td> </tr> </table>	M	*	GR/L	*	R/W	V	B	GR/R	*	O/W	R/L	*	N						A						<p>K1-01 Power window main switch (DR1)</p> <table border="1" data-bbox="1133 985 1276 1568"> <tr> <td>A1</td> <td>*</td> <td>R/L</td> <td>R/B</td> <td>BR</td> <td>*</td> </tr> <tr> <td>A8</td> <td>*</td> <td>BR/W</td> <td>B</td> <td>R/W</td> <td>R</td> </tr> <tr> <td>A7</td> <td>*</td> <td>V/B</td> <td>V/W</td> <td>V/R</td> <td>GR/L</td> </tr> <tr> <td>B1</td> <td>*</td> <td>V/Y</td> <td>V/G</td> <td>GR/R</td> <td>Y/W</td> </tr> <tr> <td>B7</td> <td>*</td> <td>V/Y</td> <td>V/G</td> <td>GR/R</td> <td>Y/W</td> </tr> <tr> <td>B6</td> <td></td> <td></td> <td></td> <td></td> <td></td> </tr> <tr> <td>B12</td> <td></td> <td></td> <td></td> <td></td> <td></td> </tr> </table>	A1	*	R/L	R/B	BR	*	A8	*	BR/W	B	R/W	R	A7	*	V/B	V/W	V/R	GR/L	B1	*	V/Y	V/G	GR/R	Y/W	B7	*	V/Y	V/G	GR/R	Y/W	B6						B12						<p>K2-02 FL door lock actuator (DR1)</p> 
M	*	GR/L	*	R/W	V																																																															
B	GR/R	*	O/W	R/L	*																																																															
N																																																																				
A																																																																				
A1	*	R/L	R/B	BR	*																																																															
A8	*	BR/W	B	R/W	R																																																															
A7	*	V/B	V/W	V/R	GR/L																																																															
B1	*	V/Y	V/G	GR/R	Y/W																																																															
B7	*	V/Y	V/G	GR/R	Y/W																																																															
B6																																																																				
B12																																																																				

Harness mark: (F) (E) (D) (R)



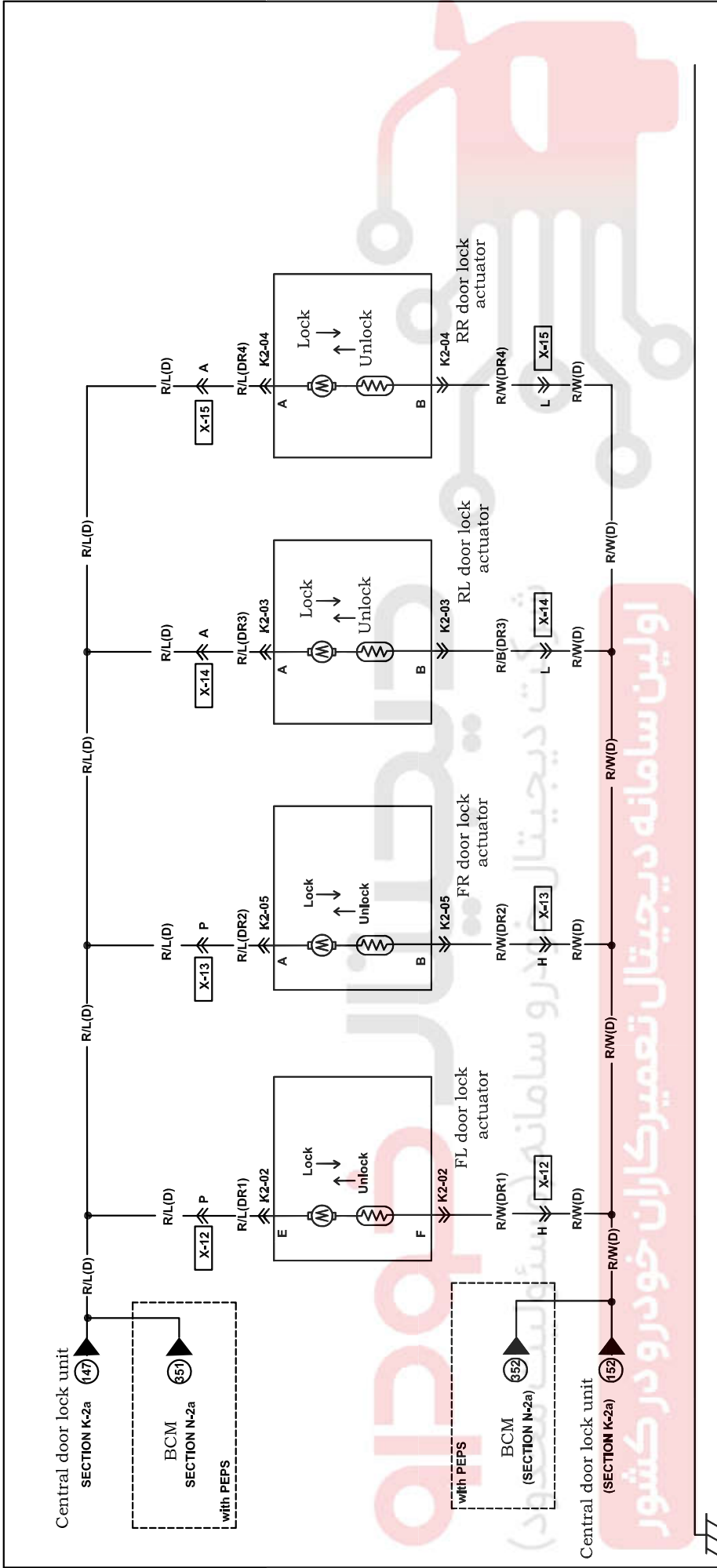
اولین سامانه دیجیتال تعمیرکاران خودرو کشور

شرکت دیجیتال خودرو سامانه (مسئولیت محدود)



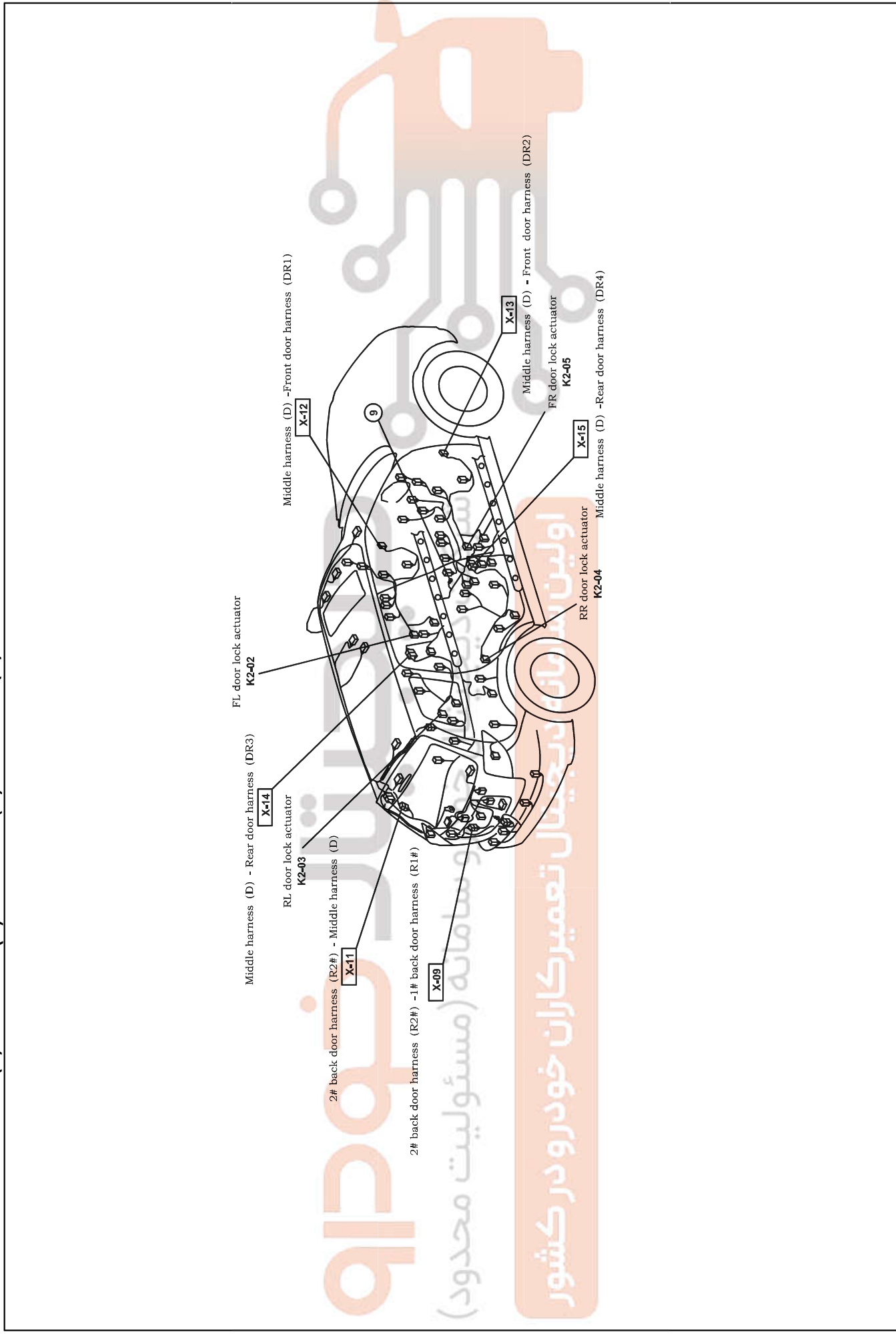
K-2b

Remote and central door lock system



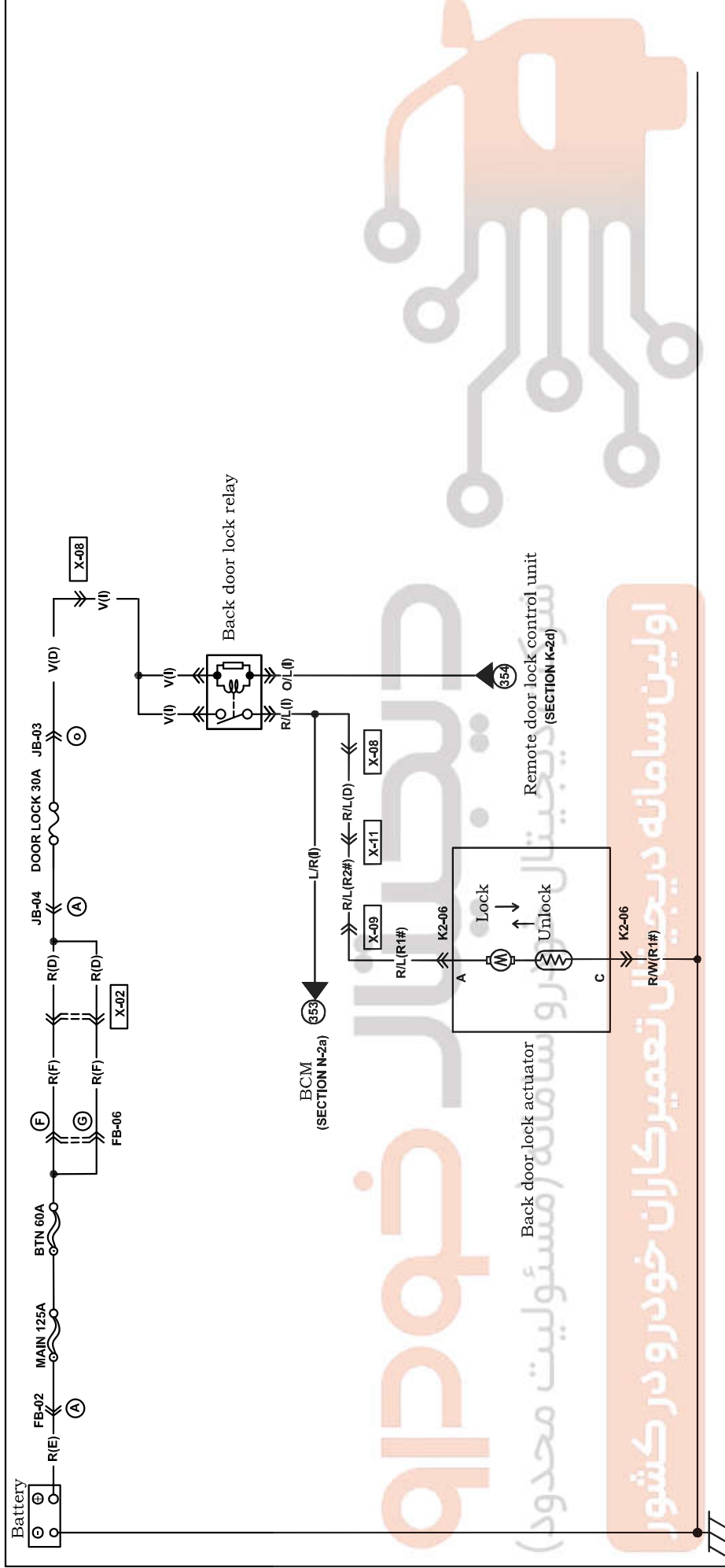
<p>K2-02 FL door lock actuator (DR1)</p>	<p>K2-04 RR door lock actuator (DR4)</p>		
<p>K2-03 RL door lock actuator (DR3)</p>	<p>K2-05 FR door lock actuator (DR2) \$ with PEPS</p>		

Harness mark: [F] [E] [D] [R]



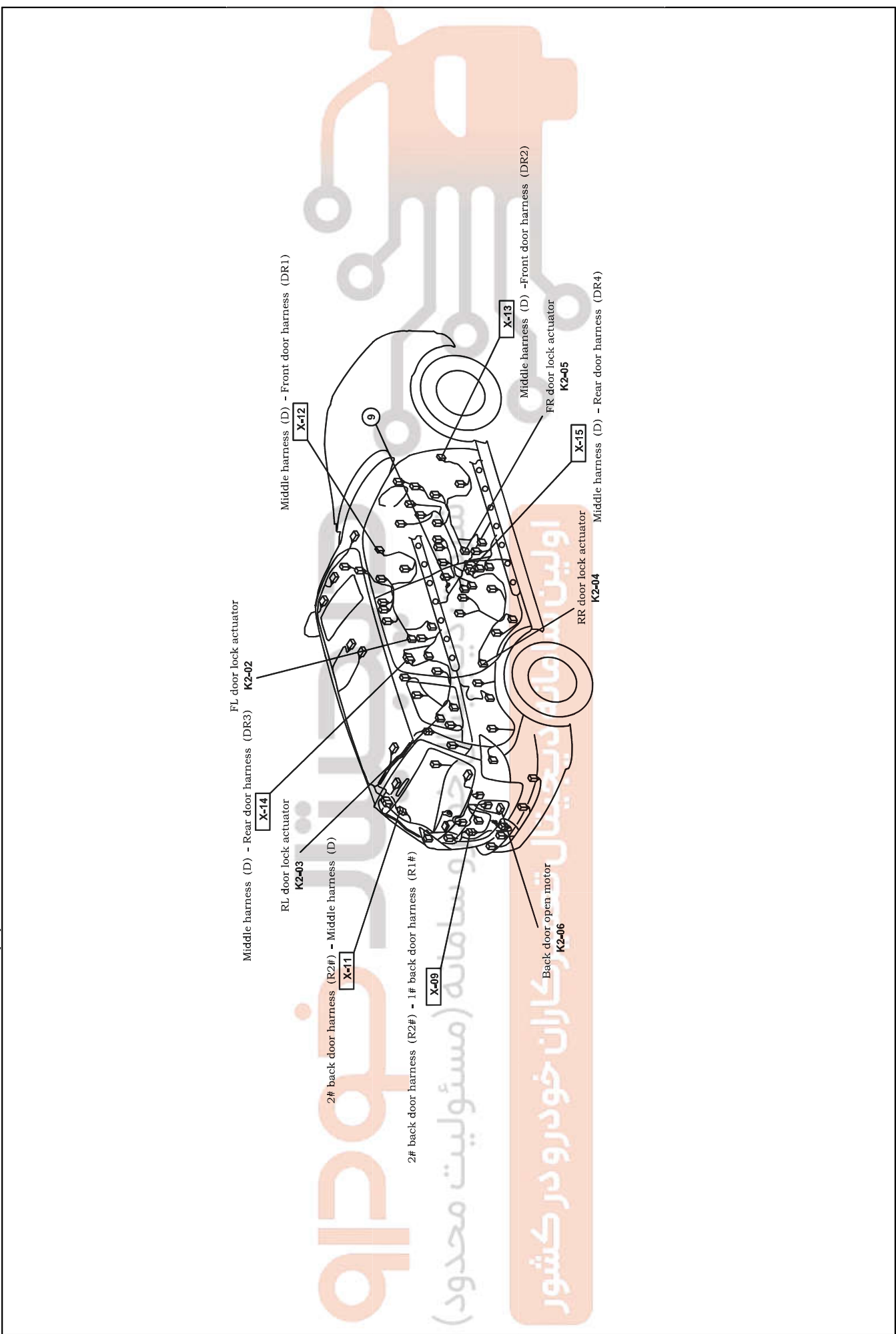
K-2c

Remote and central door lock system



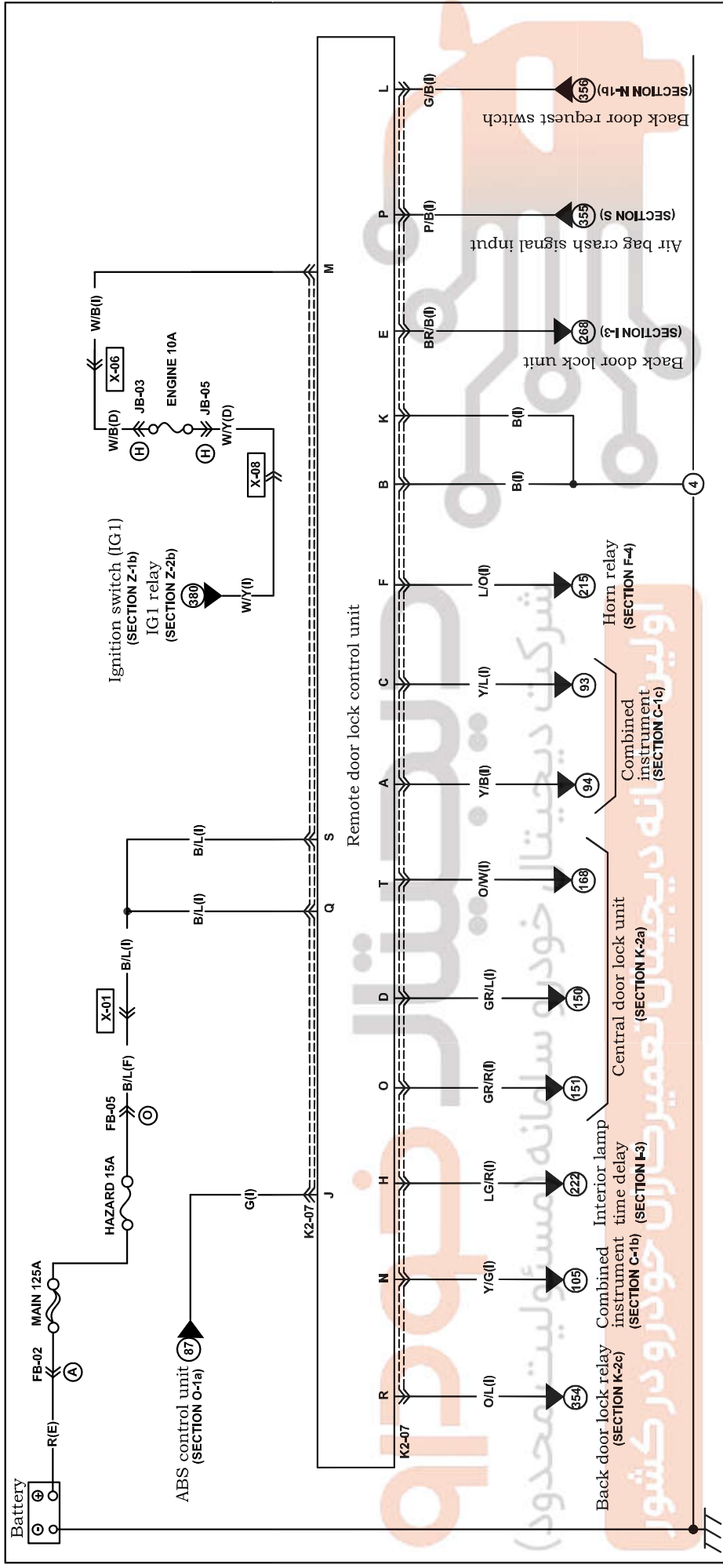
<p>K2-06 Back door open motor (R/F)</p> <table border="1"> <tr><td>E</td><td>D</td><td>C</td><td>B</td><td>A</td></tr> <tr><td>*</td><td>*</td><td>L/R</td><td>*</td><td>B</td></tr> </table>	E	D	C	B	A	*	*	L/R	*	B			
E	D	C	B	A									
*	*	L/R	*	B									

Harness mark: (F) (E) (D) (R)



K-2d

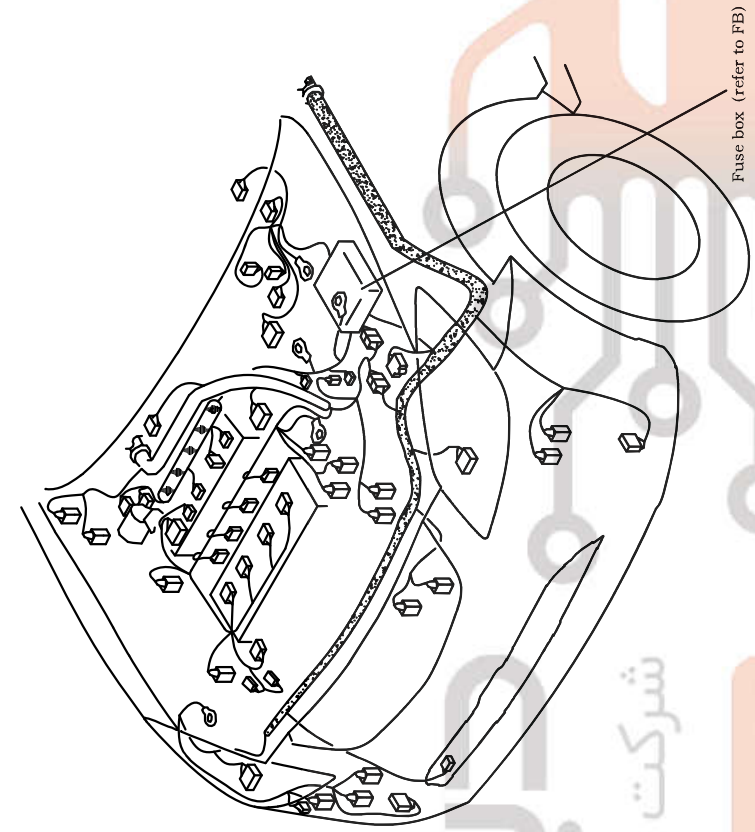
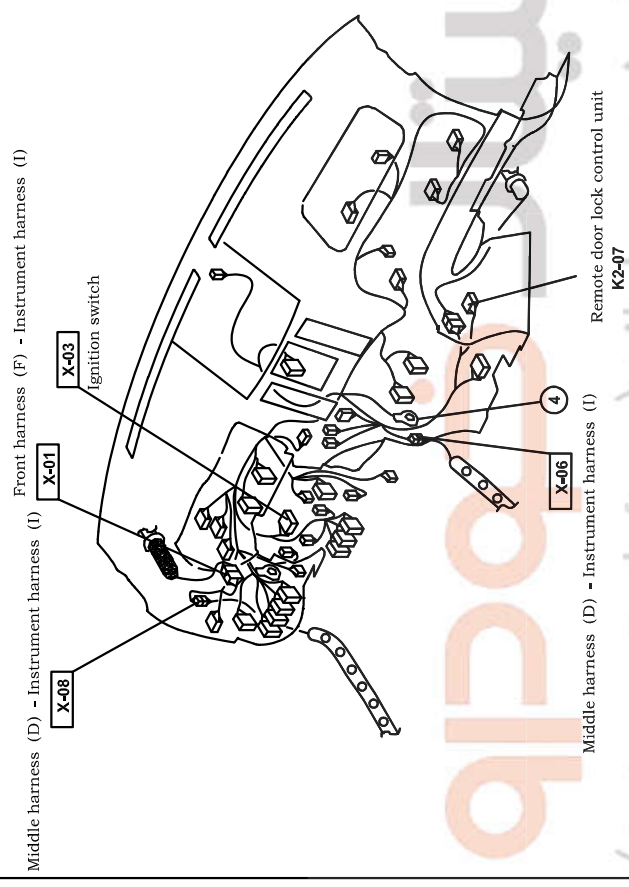
Remote and central door lock system



K2-07 Remote door lock control unit (I)

S	Q	O	M	K	I	G	E	C	A
B/L	B/L	GR/R	W/B	B	*	BR/B	Y/L	Y/B	
O/W	O/L	P/B	Y/G	G/B	G	LG/R	L/O	GR/L	B
T	R	P	N	L	J	H	F	D	B

Harness mark:  (F)  (E)  (D)  (R)



اولیب: سامانه دیجیتال تعمیرکاران خودرو و سامانه دیجیتال دیجیتال خودرو

شرکت دیجیتال خودرو و سامانه دیجیتال دیجیتال

