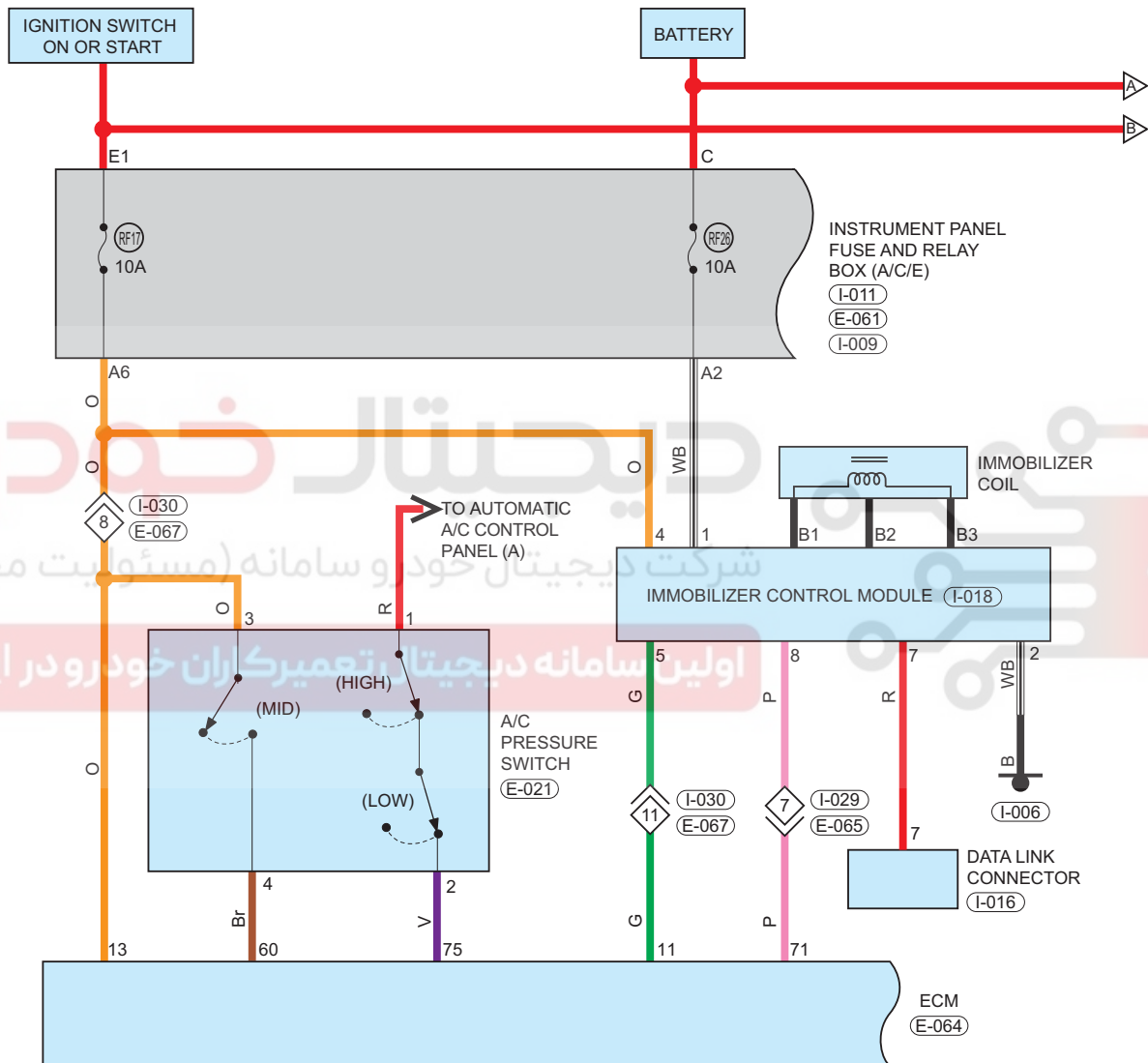


SQRE4G16 Engine Management System

Circuit Diagram (Page 1 of 9)



09

Parts Location

Connector Code	See Page	Connector Code	See Page	Connector Code	See Page
E-061	08-4 (MT)	E-021	08-4 (MT)	E-064	08-4 (MT)
	08-7 (CVT)		08-7 (CVT)		08-7 (CVT)
I-011	08-12	I-016	08-12	I-009	08-12
I-018	08-12	I-006	08-12		

Fuse and Relay

Fuse/Relay	See Page	Fuse and Relay Box
RF17	06-12	Instrument Panel Fuse and Relay Box
RF26	06-12	Instrument Panel Fuse and Relay Box

Location of Junction Connector

Connector Code	See Page	Connector Code	See Page	Connector Code	See Page
I-030, E-067	08-12, 08-4 (MT)	I-029, E-065	08-12, 08-4 (MT)		
	08-12, 08-7 (CVT)		08-12, 08-7 (CVT)		

Form of Connector

Connector Code	See Page	Connector Code	See Page	Connector Code	See Page
I-011	12-8	E-061	12-4	I-009	12-8
E-021	12-3	I-018	12-9	I-006	12-8
I-016	12-9	E-064	12-5	I-030, E-067	12-9
I-029, E-065	12-9				

Parts Location

Connector Code	See Page	Connector Code	See Page	Connector Code	See Page
I-008	08-12	I-044	08-12	I-009	08-12
B-010	08-17	I-017	08-12	E-062	08-4 (MT) 08-7 (CVT)
E-011	08-4 (MT) 08-7 (CVT)	E-061	08-4 (MT) 08-7 (CVT)	E-024	08-4 (MT) 08-7 (CVT)
E-068	08-4 (MT) 08-7 (CVT)	E-058	08-4 (MT) 08-7 (CVT)	E-064	08-4 (MT) 08-7 (CVT)

Fuse and Relay

Fuse/Relay	See Page	Fuse and Relay Box
EF23	06-5	Engine Compartment Fuse and Relay Box
RF02	06-12	Instrument Panel Fuse and Relay Box
RF06	06-12	Instrument Panel Fuse and Relay Box
RF09	06-12	Instrument Panel Fuse and Relay Box
RF12	06-12	Instrument Panel Fuse and Relay Box
RF19	06-12	Instrument Panel Fuse and Relay Box
A/C Compressor Relay	06-12	Instrument Panel Fuse and Relay Box

Location of Junction Connector

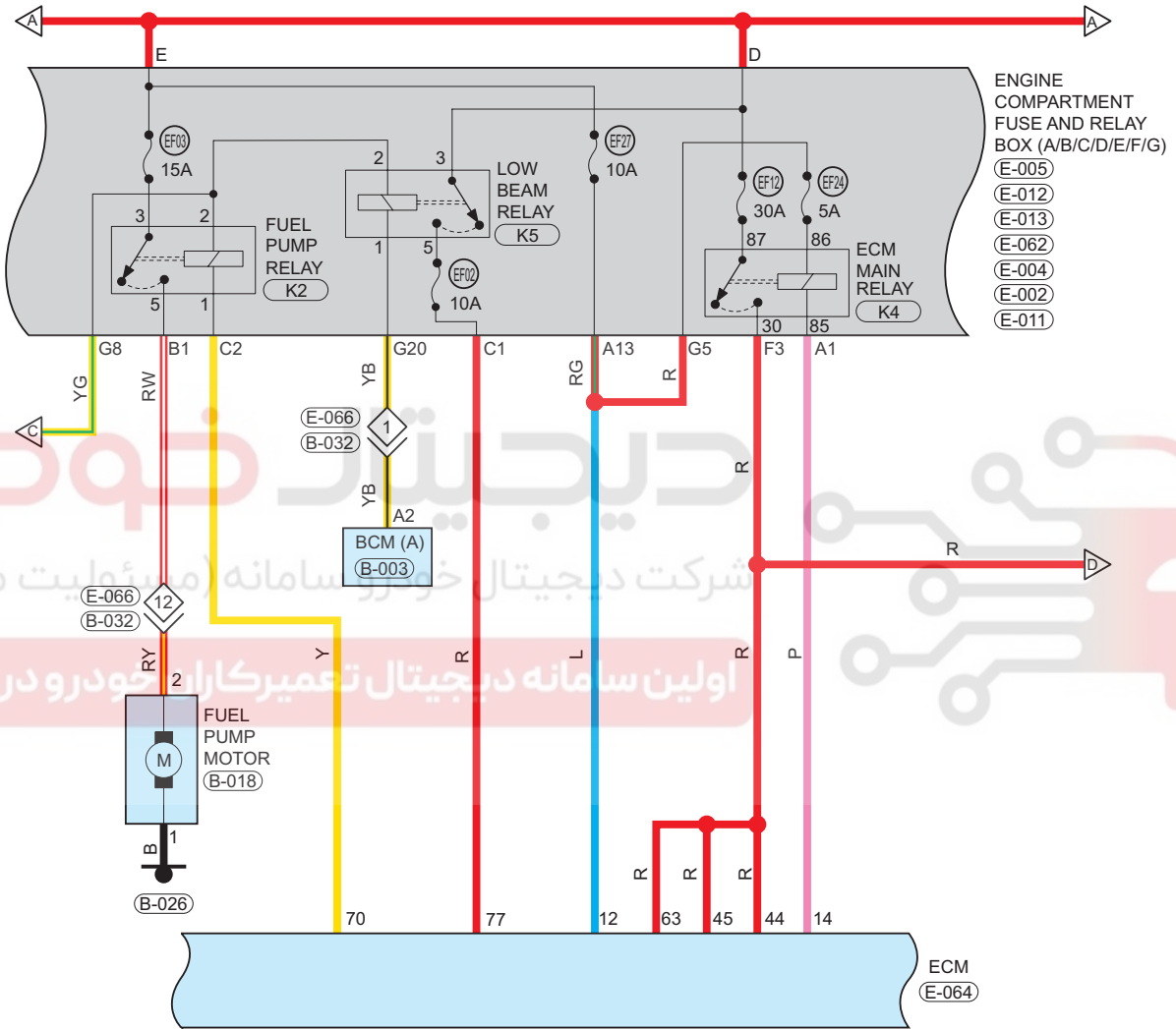
Connector Code	See Page	Connector Code	See Page	Connector Code	See Page
I-013, E-059	08-12, 08-4 (MT) 08-12, 08-7 (CVT)	B-032, E-066	08-17, 08-4 (MT) 08-17, 08-7 (CVT)	I-030, E-067	08-12, 08-4 (MT) 08-12, 08-7 (CVT)
E-060, I-014	08-4, 08-12 (MT) 08-7, 08-12 (CVT)	I-029, E-065	08-12, 08-4 (MT) 08-12, 08-7 (CVT)	B-011, I-015	08-17, 08-12

09

Form of Connector

Connector Code	See Page	Connector Code	See Page	Connector Code	See Page
I-008	12-8	E-061	12-4	I-009	12-8
B-010	12-13	E-058	12-4	E-062	12-4
E-011	12-2	I-044	12-10	E-024	12-3
E-068	12-5	I-017	12-9	E-064	12-5
I-013, E-059	12-8	B-032, E-066	12-14	B-011, I-015	12-13
I-030, E-067	12-9	E-060, I-014	12-4	I-029, E-065	12-9

Circuit Diagram (Page 3 of 9)



دیجیتال خودرو
 شرکت دیجیتال خودروسامانه (مسئولیت محدود)
 اولین سامانه دیجیتال تعمیرکاران خودرو در ایران

09

ET11090030

Parts Location

Connector Code	See Page	Connector Code	See Page	Connector Code	See Page
E-005	08-4 (MT)	E-012	08-4 (MT)	E-013	08-4 (MT)
	08-7 (CVT)		08-7 (CVT)		08-7 (CVT)
E-062	08-4 (MT)	E-004	08-4 (MT)	E-002	08-4 (MT)
	08-7 (CVT)		08-7 (CVT)		08-7 (CVT)
E-011	08-4 (MT)	E-064	08-4 (MT)	B-026	08-17
	08-7 (CVT)		08-7 (CVT)		
B-003	08-17	B-018	08-17		

Fuse and Relay

Fuse/Relay	See Page	Fuse and Relay Box
EF02	06-5	Engine Compartment Fuse and Relay Box
EF03	06-5	Engine Compartment Fuse and Relay Box
EF12	06-5	Engine Compartment Fuse and Relay Box
EF24	06-5	Engine Compartment Fuse and Relay Box
EF27	06-5	Engine Compartment Fuse and Relay Box
Fuel Pump Relay	06-5	Engine Compartment Fuse and Relay Box
Low Beam Relay	06-5	Engine Compartment Fuse and Relay Box
ECM Main Relay	06-5	Engine Compartment Fuse and Relay Box

Location of Junction Connector

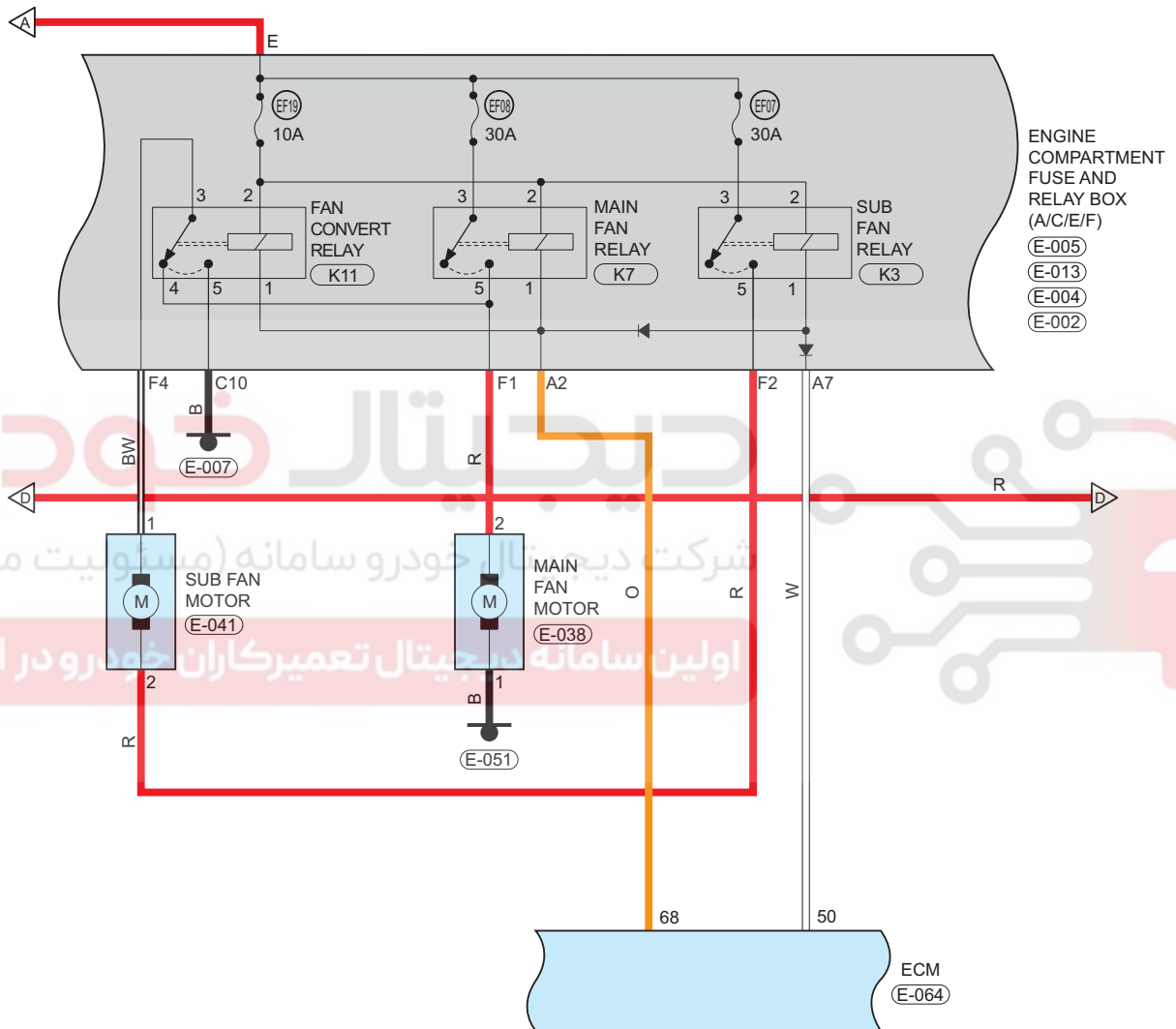
Connector Code	See Page	Connector Code	See Page	Connector Code	See Page
E-066, B-032	08-4, 08-17 (MT)				
	08-7, 08-17 (CVT)				

09

Form of Connector

Connector Code	See Page	Connector Code	See Page	Connector Code	See Page
E-005	12-2	E-012	12-2	E-013	12-2
E-062	12-4	E-004	12-2	E-002	12-2
E-011	12-2	B-018	12-13	B-026	12-14
B-003	12-12	E-064	12-5	E-066, B-032	12-5

Circuit Diagram (Page 4 of 9)



09

ET11090040

Parts Location

Connector Code	See Page	Connector Code	See Page	Connector Code	See Page
E-005	08-4 (MT)	E-013	08-4 (MT)	E-004	08-4 (MT)
	08-7 (CVT)		08-7 (CVT)		08-7 (CVT)
E-002	08-4 (MT)	E-041	08-4 (MT)	E-007	08-4 (MT)
	08-7 (CVT)		08-7 (CVT)		08-7 (CVT)
E-038	08-4 (MT)	E-051	08-4 (MT)	E-064	08-4 (MT)
	08-7 (CVT)		08-7 (CVT)		08-7 (CVT)

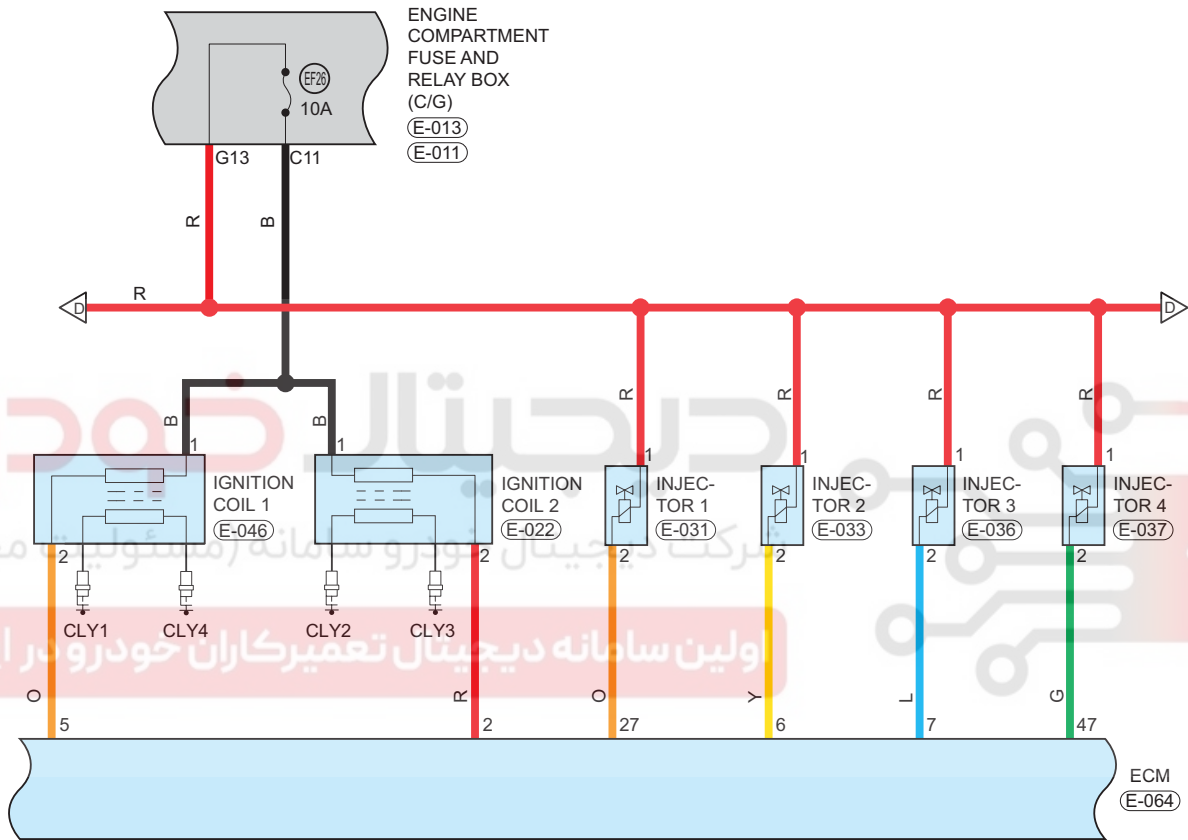
Fuse and Relay

Fuse/Relay	See Page	Fuse and Relay Box
EF07	06-5	Engine Compartment Fuse and Relay Box
EF08	06-5	Engine Compartment Fuse and Relay Box
EF19	06-5	Engine Compartment Fuse and Relay Box
Fan Convert Relay	06-5	Engine Compartment Fuse and Relay Box
Main Fan Relay	06-5	Engine Compartment Fuse and Relay Box
Sub Fan Relay	06-5	Engine Compartment Fuse and Relay Box

Form of Connector

Connector Code	See Page	Connector Code	See Page	Connector Code	See Page
E-005	12-2	E-013	12-2	E-004	12-2
E-002	12-2	E-041	12-3	E-007	12-2
E-038	12-3	E-051	12-4	E-064	12-5

Circuit Diagram (Page 5 of 9)



ET11090050

Parts Location

Connector Code	See Page	Connector Code	See Page	Connector Code	See Page
E-013	08-4 (MT)	E-011	08-4 (MT)	E-046	08-4 (MT)
	08-7 (CVT)		08-7 (CVT)		08-7 (CVT)
E-022	08-4 (MT)	E-031	08-4 (MT)	E-033	08-4 (MT)
	08-7 (CVT)		08-7 (CVT)		08-7 (CVT)
E-036	08-4 (MT)	E-037	08-4 (MT)	E-064	08-4 (MT)
	08-7 (CVT)		08-7 (CVT)		08-7 (CVT)

Fuse and Relay

Fuse/Relay	See Page	Fuse and Relay Box
EF26	06-5	Engine Compartment Fuse and Relay Box

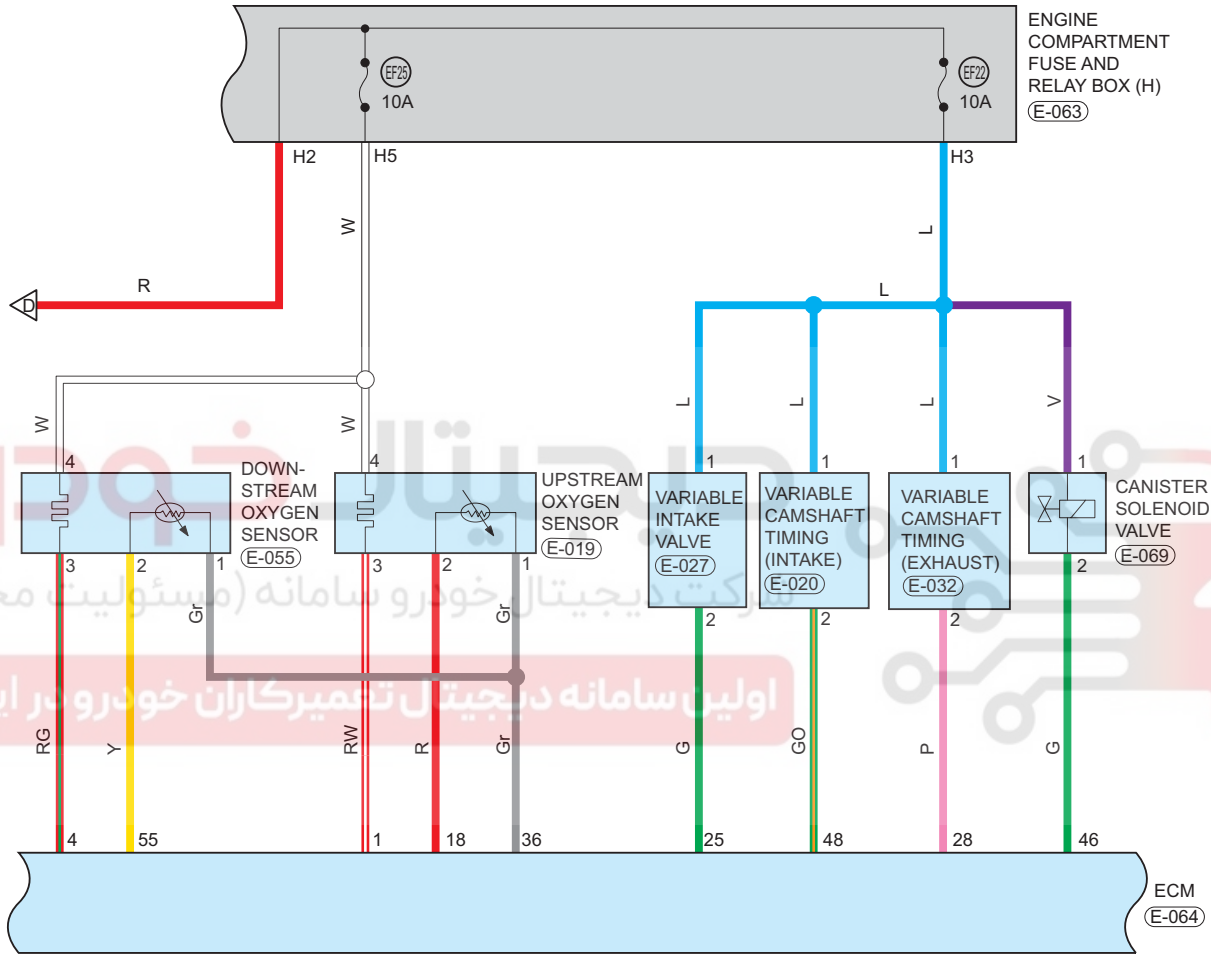
Form of Connector

Connector Code	See Page	Connector Code	See Page	Connector Code	See Page
E-013	12-2	E-011	12-2	E-046	12-4
E-022	12-3	E-031	12-3	E-033	12-3
E-036	12-3	E-037	12-3	E-064	12-5

شرکت دیجیتال خودرو (مسئولیت محدود)

اولین سامانه دیجیتال تعمیرکاران خودرو در ایران

Circuit Diagram (Page 6 of 9)



اولین سامانه دیجیتال خودرو سامانه (مسئولیت محدود)
 کت دیجیتال خودرو سامانه (مسئولیت محدود)
 اولین سامانه دیجیتال تأمین‌کاران خودرو در ایران

09

ET11090060

Parts Location

Connector Code	See Page	Connector Code	See Page	Connector Code	See Page
E-063	08-4 (MT)	E-055	08-4 (MT)	E-019	08-4 (MT)
	08-7 (CVT)		08-7 (CVT)		08-7 (CVT)
E-027	08-4 (MT)	E-020	08-4 (MT)	E-032	08-4 (MT)
	08-7 (CVT)		08-7 (CVT)		08-7 (CVT)
E-069	08-4 (MT)	E-064	08-4 (MT)		
	08-7 (CVT)		08-7 (CVT)		

Fuse and Relay

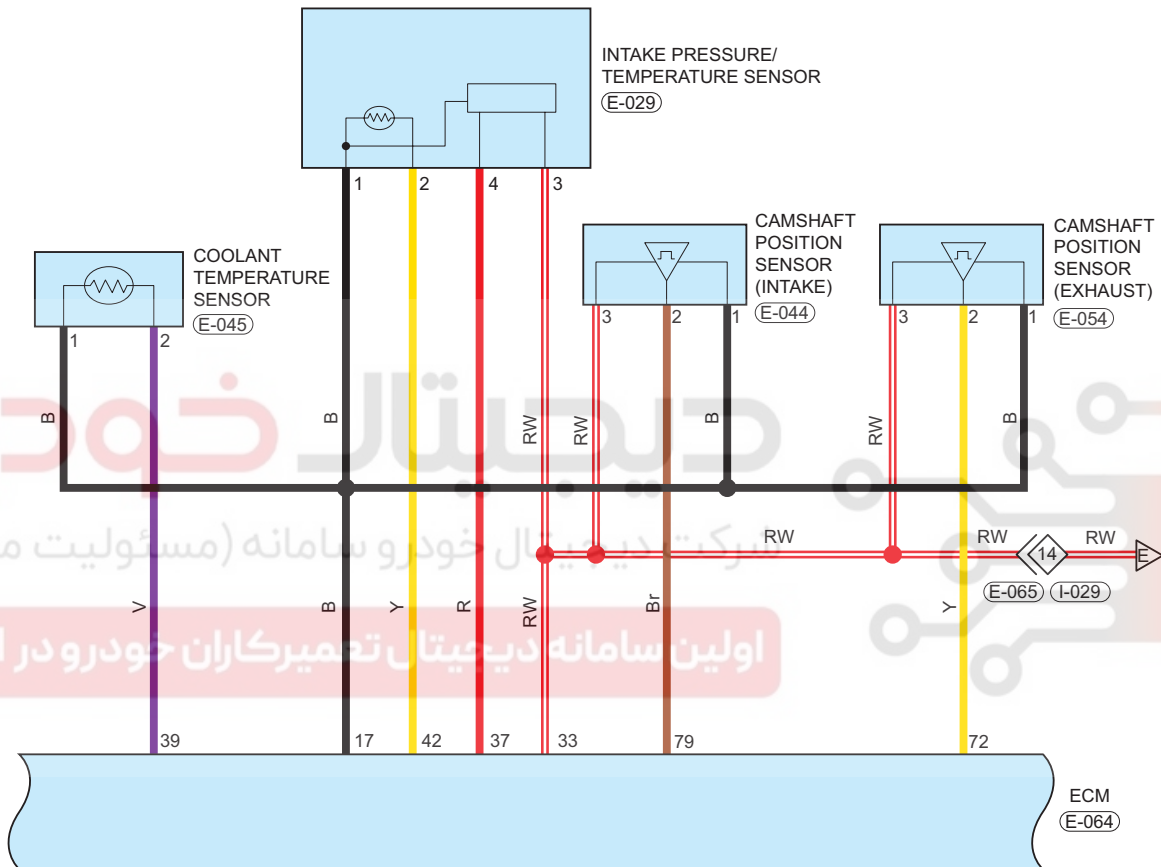
Fuse/Relay	See Page	Fuse and Relay Box
EF22	06-5	Engine Compartment Fuse and Relay Box
EF25	06-5	Engine Compartment Fuse and Relay Box

Form of Connector

Connector Code	See Page	Connector Code	See Page	Connector Code	See Page
E-063	12-4	E-055	12-4	E-019	12-2
E-027	12-3	E-020	12-3	E-032	12-3
E-069	12-5	E-064	12-5		

اولین سامانه دیجیتال تعمیرکاران خودرو در ایران

Circuit Diagram (Page 7 of 9)



09

ET11090070

Parts Location

Connector Code	See Page	Connector Code	See Page	Connector Code	See Page
E-045	08-4 (MT)	E-029	08-4 (MT)	E-044	08-4 (MT)
	08-7 (CVT)		08-7 (CVT)		08-7 (CVT)
E-054	08-4 (MT)	E-064	08-4 (MT)		
	08-7 (CVT)		08-7 (CVT)		

Location of Junction Connector

Connector Code	See Page	Connector Code	See Page	Connector Code	See Page
E-065, I-029	08-4, 08-12 (MT)				
	08-7, 08-12 (CVT)				

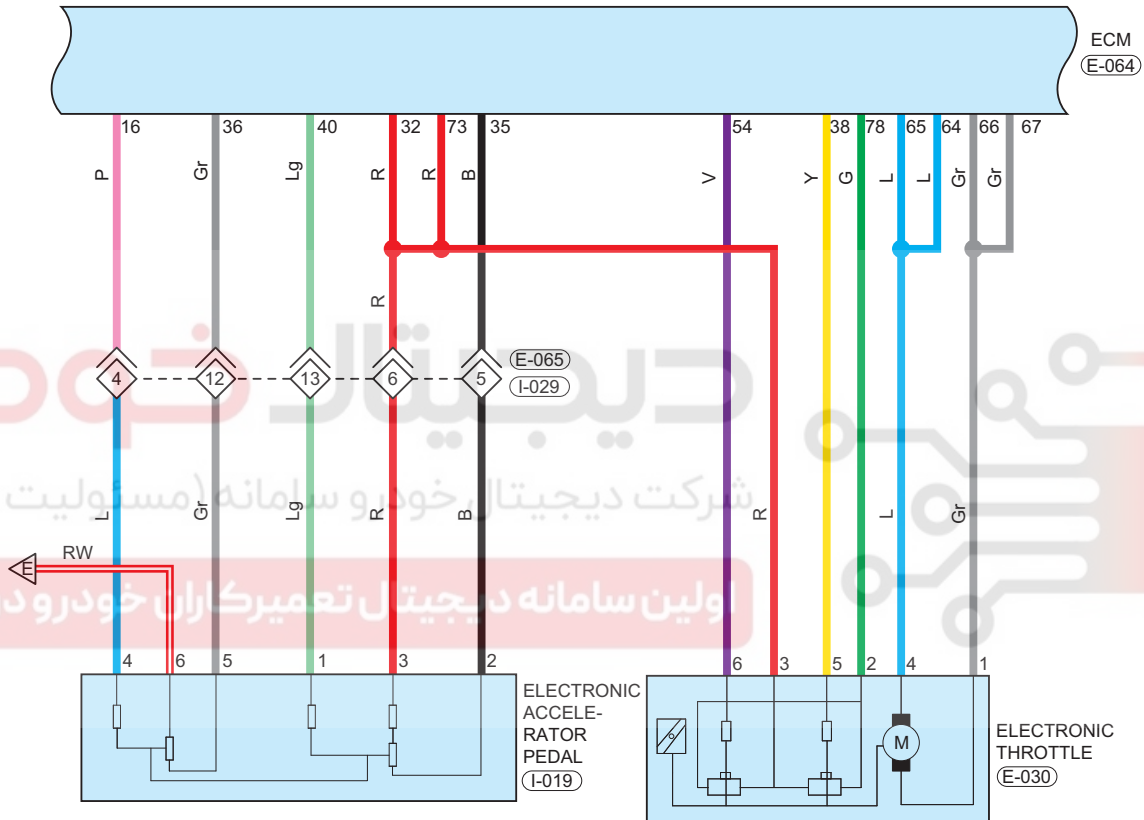
Form of Connector

Connector Code	See Page	Connector Code	See Page	Connector Code	See Page
E-045	12-4	E-029	12-3	E-044	12-3
E-054	12-4	E-064	12-5	E-065, I-029	12-5

شرکت دیجیتال خودرو سامانه (مسئولیت محدود)

اولین سامانه دیجیتال تعمیرکاران خودرو در ایران

Circuit Diagram (Page 8 of 9)



09

ET11090080

Parts Location

Connector Code	See Page	Connector Code	See Page	Connector Code	See Page
E-064	08-4 (MT)	E-030	08-4 (MT)	I-019	08-12
	08-7 (CVT)		08-7 (CVT)		

Location of Junction Connector

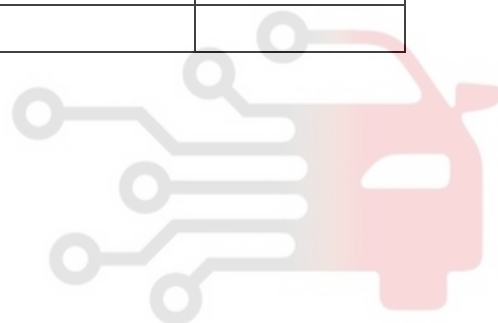
Connector Code	See Page	Connector Code	See Page	Connector Code	See Page
E-065, I-029	08-4, 08-12 (MT)				
	08-7, 08-12 (CVT)				

Form of Connector

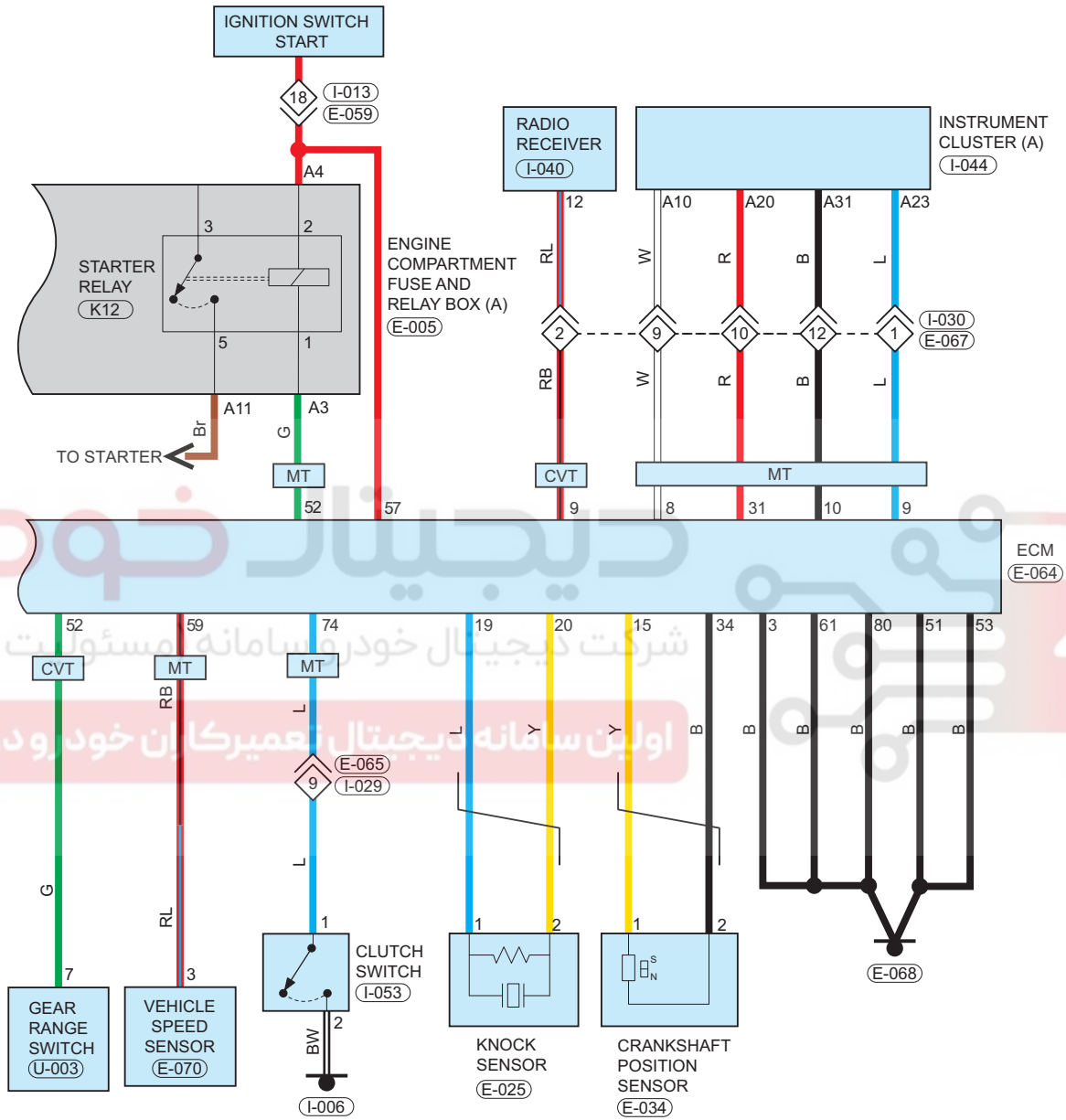
Connector Code	See Page	Connector Code	See Page	Connector Code	See Page
E-064	12-5	I-019	12-9	E-030	12-3
E-065, I-029	12-5				

دیجیتال خودرو
شرکت دیجیتال خودرو سامانه (مسئولیت محدود)

اولین سامانه دیجیتال تعمیرکاران خودرو در ایران



Circuit Diagram (Page 9 of 9)



دیجی تار خودرو
 شرکت دیجیتال خودرو سامانه مسئولیت محدود
 اولین سامانه دیجیتال تعمیرکاران خودرو در ایران

09

ET11090090

Parts Location

Connector Code	See Page	Connector Code	See Page	Connector Code	See Page
E-005	08-4 (MT)	E-064	08-4 (MT)	E-025	08-4 (MT)
	08-7 (CVT)		08-7 (CVT)		08-7 (CVT)
E-034	08-4 (MT)	E-068	08-4 (MT)	E-070	08-4
	08-7 (CVT)		08-7 (CVT)		
I-053	08-12	I-006	08-12	U-003	08-10
I-040	08-12	I-044	08-12		

Fuse and Relay

Fuse/Relay	See Page	Fuse and Relay Box
Starter Relay	06-5	Engine Compartment Fuse and Relay Box

Location of Junction Connector

Connector Code	See Page	Connector Code	See Page	Connector Code	See Page
I-013, E-059	08-12, 08-4 (MT)	I-030, E-067	08-12, 08-4 (MT)	E-065, I-029	08-4, 08-12 (MT)
	08-12, 08-7 (CVT)		08-12, 08-7 (CVT)		08-7, 08-12 (CVT)

Form of Connector

Connector Code	See Page	Connector Code	See Page	Connector Code	See Page
E-005	12-2	I-040	12-10	I-044	12-10
E-064	12-5	U-003	12-6	E-070	12-5
I-053	12-11	I-006	12-8	E-025	12-3
E-034	12-3	E-068	12-5	I-013, E-059	12-8
I-030, E-067	12-9	E-065, I-029	12-5		