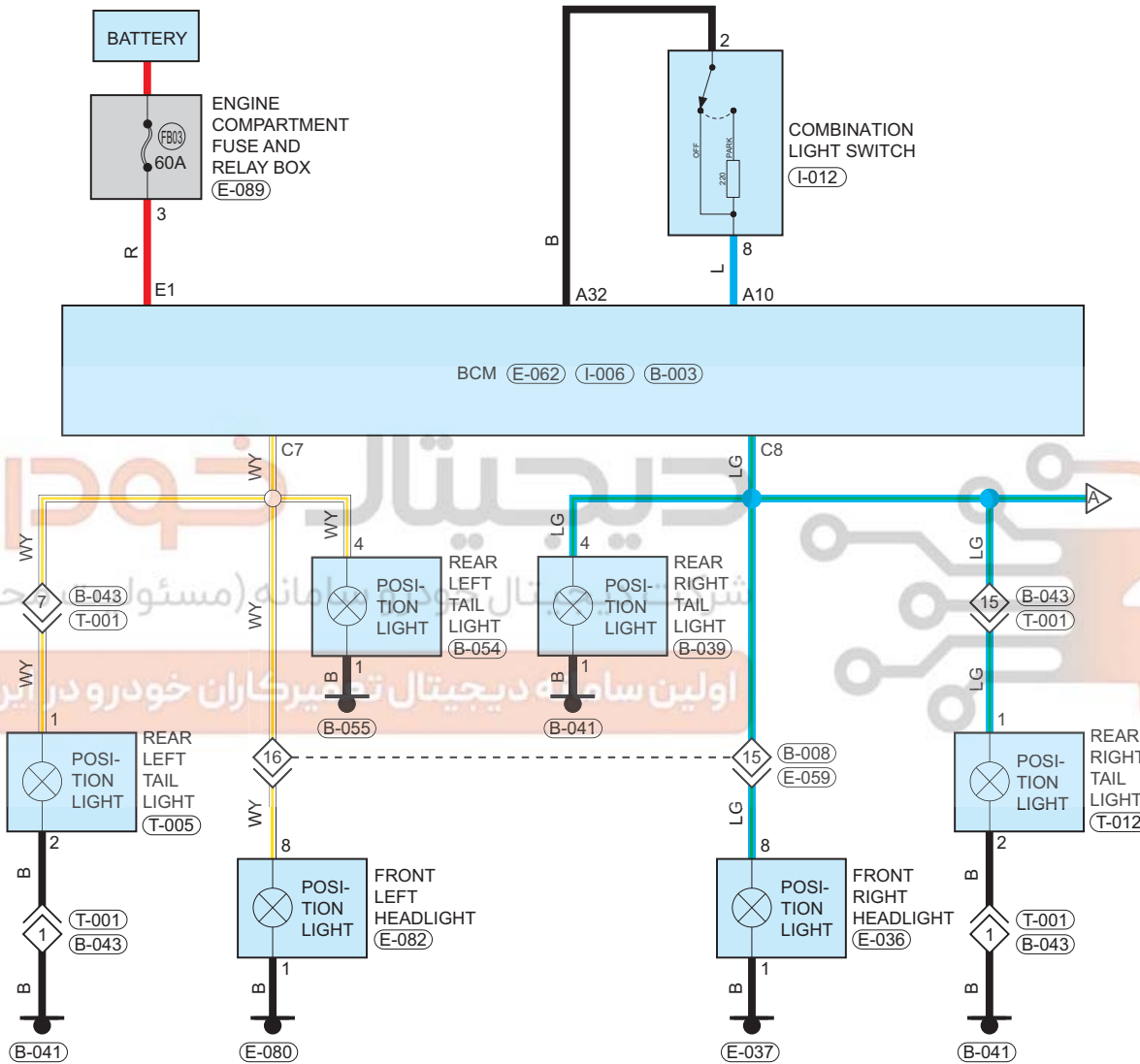


# Position Light

## Circuit Diagram (Page 1 of 2)



## 09 - SYSTEM CIRCUITS

## Parts Location

Connector Code	See Page	Connector Code	See Page	Connector Code	See Page
E-089	08-7	I-012	08-13	I-006	08-13
E-062	08-7	B-003	08-16	T-005	08-24
B-041	08-16	B-054	08-16	B-055	08-16
E-082	08-7	E-080	08-7	B-039	08-16
T-012	08-24	E-036	08-7	E-037	08-7

## Fuse and Relay

Fuse/Relay	See Page	Fuse and Relay Box
FB03	06-2	Power Fuse Box

## Location of Junction Connector

Connector Code	See Page	Connector Code	See Page	Connector Code	See Page
B-043, T-001	08-16, 08-24	B-008, E-059	08-16, 08-7		

## Form of Connector

Connector Code	See Page	Connector Code	See Page	Connector Code	See Page
E-089	12-5	I-012	12-9	I-006	12-9
E-062	12-5	B-003	12-11	T-005	12-19
B-041	12-13	B-054	12-14	B-055	12-14
E-082	12-5	E-080	12-5	B-039	12-13
T-012	12-19	E-036	12-3	E-037	12-3
B-043, T-001	12-13	B-008, E-059	12-11		

Circuit Diagram (Page 2 of 2)

