

EXTERIOR

GENERAL INFORMATION	49-3	Disassembly	49-22
Description	49-3	Installation	49-23
Specifications	49-5	Rear Bumper Mounting Bracket	49-24
Tool	49-6	Removal	49-24
ON-VEHICLE SERVICE	49-7	Installation	49-24
Front Bumper Assembly	49-7	Rear Bumper Crossmember Assembly	49-25
Removal	49-7	Removal	49-25
Disassembly	49-9	Installation	49-25
Assembly	49-11	Rear Left Wheel Trims	49-26
Installation	49-11	Removal	49-26
Front Bumper Mounting Bracket	49-12	Installation	49-26
Removal	49-12	Rear Wheel House Protector	49-27
Installation	49-12	Removal	49-27
Front Bumper Crossmember Assembly	49-13	Installation	49-27
Removal	49-13	Rear Trim Strip Assembly	49-28
Installation	49-13	Removal	49-28
Front Wheel House Protector	49-14	Installation	49-28
Removal	49-14	Front Windshield Lower Support Assembly	49-29
Installation	49-14	Removal	49-29
Wing Assembly	49-15	Installation	49-29
Removal	49-15	Fuel Filler Cap Assembly	49-30
Installation	49-16	Removal	49-30
Side Skirt Protector Assembly	49-17	Installation	49-30
Removal	49-17	Roof Rack Assembly	49-31
Installation	49-18	Removal	49-31
Front Left Door Trim Board	49-19	Installation	49-31
Removal	49-19	Rear Spoiler Assembly	49-32
Installation	49-19	Removal	49-32
Rear Left Door Trim Board	49-20	Installation	49-33
Removal	49-20	Name Plate	49-34
Installation	49-20	Removal	49-34
Rear Bumper Assembly	49-21	Installation	49-34
Removal	49-21		

دیجیتال خودرو

شرکت دیجیتال خودرو سامانه (مسئولیت محدود)

اولین سامانه دیجیتال تعمیرکاران خودرو در ایران

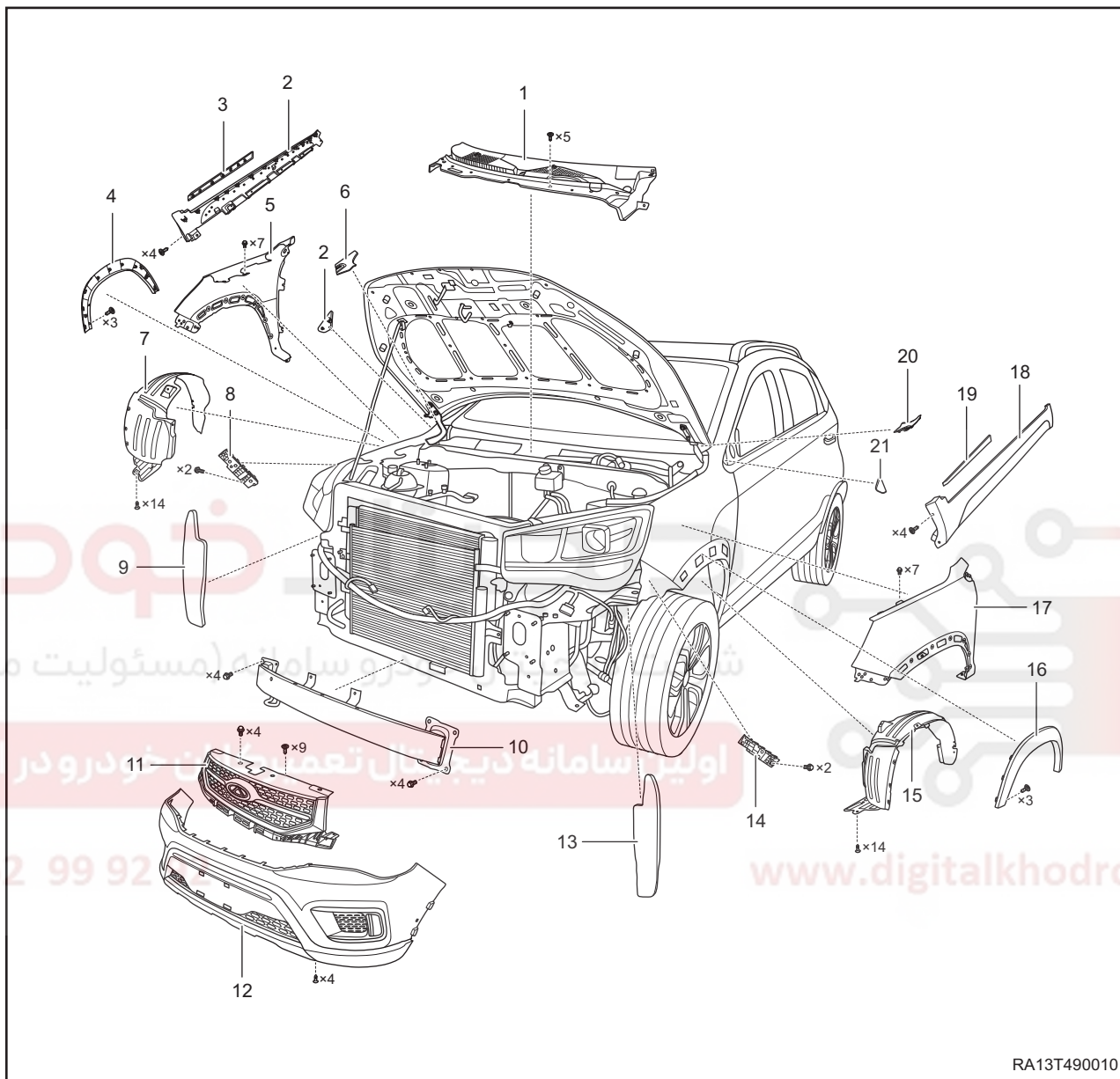


021 62 99 92 92

www.digitalkhodro.com

GENERAL INFORMATION

Description

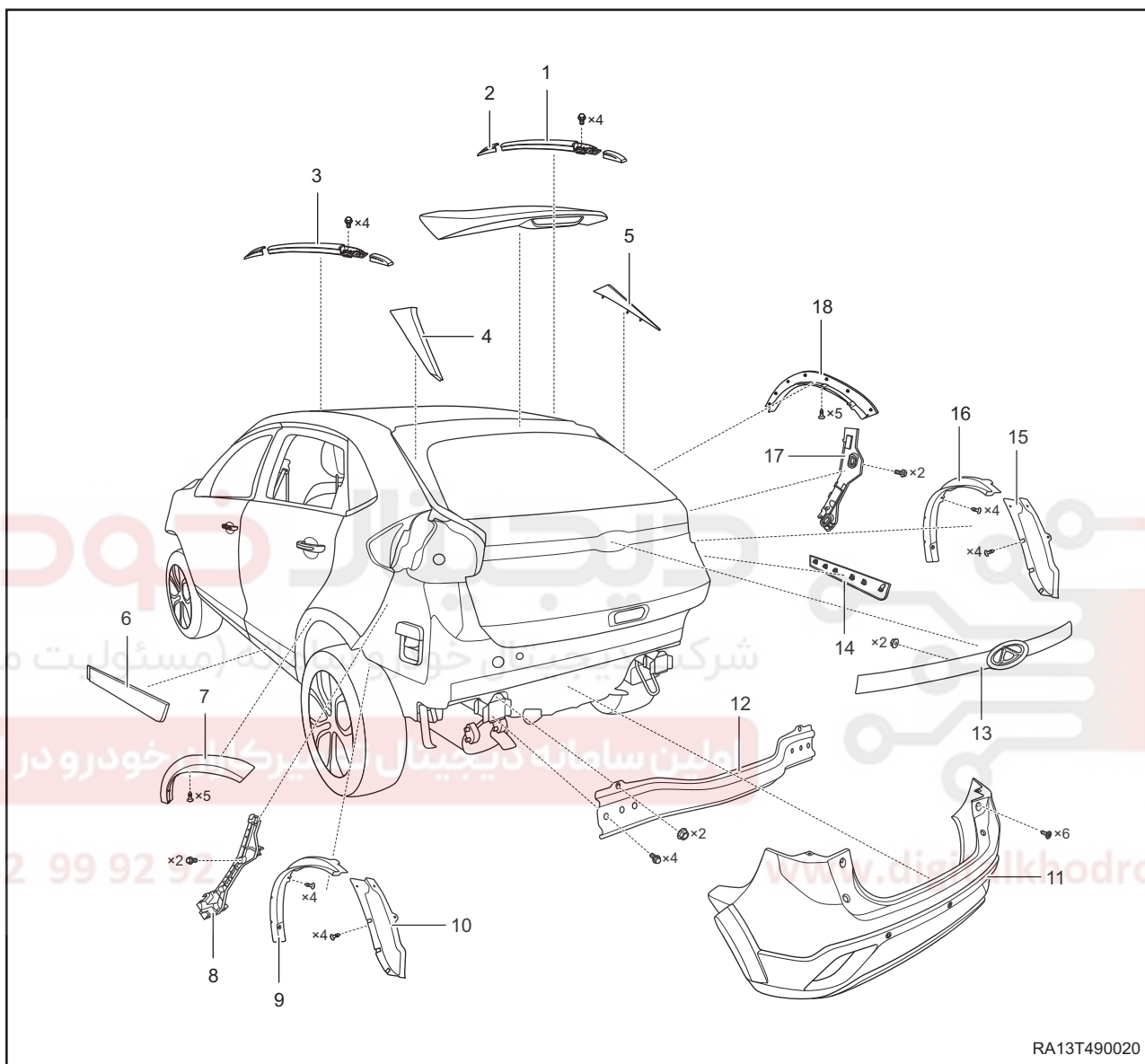


RA13T490010

1 - Front Windshield Lower Support Assembly	2 - Right Skirt Protector Assembly
3 - Front Right Door Trim Board	4 - Front Right Wheel Trims
5 - Right Wing Assembly	6 - Front Windshield Lower Support Right Sealing Plate
7 - Front Right Wheel House Protector	8 - Front Bumper Right Mounting Bracket
9 - Front Right Wing Spacer	10 - Front Bumper Crossmember Assembly
11 - Front Bumper Grille Assembly	12 - Front Bumper Assembly
13 - Front Left Wing Spacer	14 - Front Bumper Left Mounting Bracket
15 - Front Left Wheel House Protector	16 - Front Left Wheel Trims

49 - EXTERIOR

17 - Left Wing Assembly	18 - Left Skirt Protector Assembly
19 - Front Left Door Trim Board	20 - Front Windshield Lower Support Left Sealing Plate
21 - Front Left Triangular Plate Assembly	22 - Front Right Triangular Plate Assembly



RA13T490020

1 - Right Roof Rack Assembly	2 - Front Right Side Outer Trim Board
3 - Left Roof Rack Assembly	4 - Left C-pillar Trim Board Assembly
5 - Right C-pillar Trim Board Assembly	6 - Rear Left Door Trim Board
7 - Rear Left Wheel Trims	8 - Rear Bumper Left Mounting Bracket
9 - Rear Left Wheel Trims Mounting Bracket	10 - Rear Left Wheel House
11 - Rear Bumper Assembly	12 - Rear Bumper Crossmember Assembly
13 - Rear Trim Strip Assembly	14 - Rear Right Door Trim Board
15 - Rear Right Wheel House	16 - Rear Right Wheel Trims Mounting Bracket
17 - Rear Bumper Right Mounting Bracket	18 - Rear Right Wheel Trims

Bumper assembly and bumper crossmember assembly are the safety devices of body protection, to mainly absorb and reduce shock from the outside. The exterior mainly consists of front bumper assembly, front bumper mounting bracket, front bumper crossmember assembly, front bumper center bracket, front wheel house wind deflector, front wheel house protector, front wheel trims, wing assembly, side skirt protector assembly, door protector assembly, front bumper lower protector, rear bumper assembly, rear bumper mounting bracket, rear bumper bracket, rear bumper crossmember assembly, rear wheel house protector, front windshield lower support assembly, fuel filler cap assembly, roof rack assembly and spoiler, etc.

Specifications

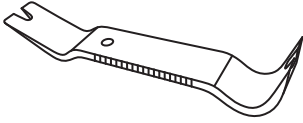
Torque Specifications

Description	Torque (N·m)
Front Bumper Assembly Fixing Screw	1.5 ± 0.5
Front Bumper Assembly Fixing Bolt	5 ± 1
Name Plate "CAC" Bracket Fixing Screw	1.5 ± 0.5
Front Daytime Running Light Assembly Fixing Screw	1.5 ± 0.5
Front Bumper Mounting Bracket Fixing Bolt	4.5 ± 1
Front Bumper Center Bracket Fixing Bolt	4.5 ± 1
Front Bumper Crossmember Assembly Fixing Bolt	47 ± 3
Front Wheel House Wind Deflector Fixing Screw	3 ± 1
Front Wheel House Protector Fixing Screw	3 ± 1
Wing Cover Plate Fixing Screw	3 ± 1
Wing Assembly Fixing Bolt	10 ± 1
Front Bumper Lower Protector Fixing Screw	1.5 ± 0.5
Rear Bumper Assembly Fixing Screw	1.5 ± 0.5
Rear Bumper Assembly Fixing Bolt	5 ± 1
Fixing Screw Between Rear Bumper Assembly and Rear Wheel House	3 ± 1
Rear Bumper Mounting Bracket Fixing Screw	1.5 ± 0.5
Rear Bumper Crossmember Assembly Fixing Nut	25 ± 2
Rear Wheel House Protector Fixing Screw	3 ± 1
Front Windshield Lower Support Assembly Fixing Screw	3.0 ± 0.5
Fuel Filler Cap Assembly Fixing Bolt	10 ± 1

49 - EXTERIOR

Tool

General Tool

<p>Interior Crow Plate</p>	 <p>RCH0000025</p>
----------------------------	--

دیجیتال خودرو

شرکت دیجیتال خودرو سامانه (مسئولیت محدود)

اولین سامانه دیجیتال تعمیرکاران خودرو در ایران



www.digitalkhodro.com

ON-VEHICLE SERVICE

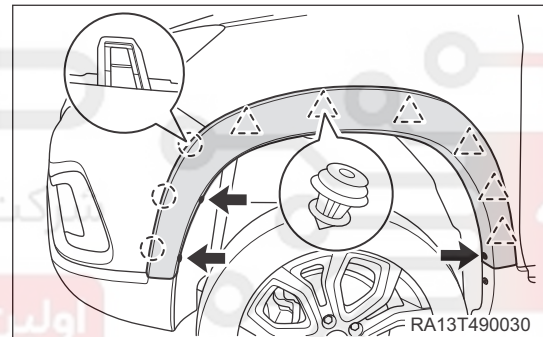
Front Bumper Assembly

Removal

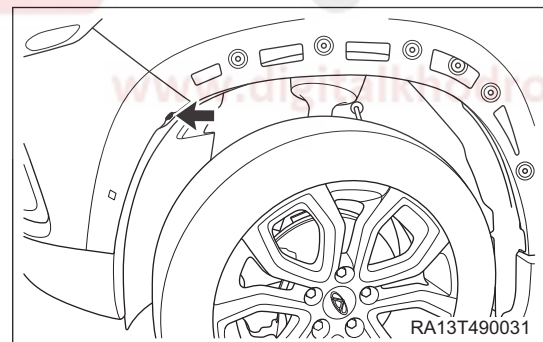
CAUTION

- Be sure to wear necessary safety equipment to prevent accidents, when removing front bumper assembly.
- Appropriate force should be applied, when removing front bumper assembly. Be careful not to operate roughly.
- Try to prevent body paint surface from being scratched, when removing front bumper assembly.

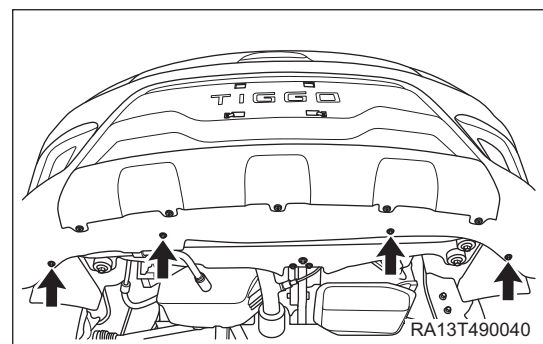
1. Turn off all electrical equipment and the ignition switch.
2. Disconnect the negative battery cable.
3. Remove the front bumper assembly.
 - a. Remove 3 fixing screws (arrow) and clips from front left wheel trims, and then remove front wheel trims. (Tightening torque: $1.5 \pm 0.5 \text{ N}\cdot\text{m}$)



- b. Remove 1 screw (arrow) from the side of front bumper assembly. (Tightening torque: $1.5 \pm 0.5 \text{ N}\cdot\text{m}$)



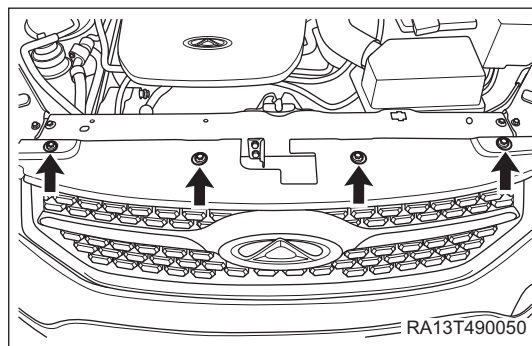
- c. Raise vehicle to a proper position, and remove 4 fixing screws (arrow) from lower part of front bumper assembly. (Tightening torque: $1.5 \pm 0.5 \text{ N}\cdot\text{m}$)



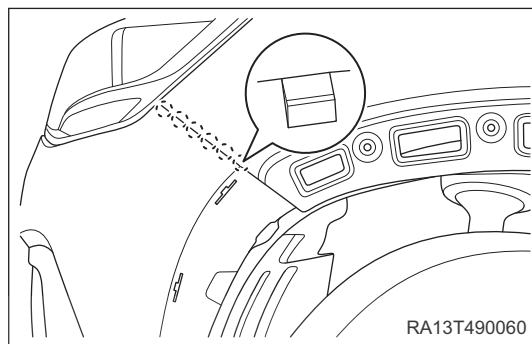
49 - EXTERIOR

- d. Lower vehicle to a proper position, and remove 4 fixing bolts (arrow) from upper part of front bumper assembly.

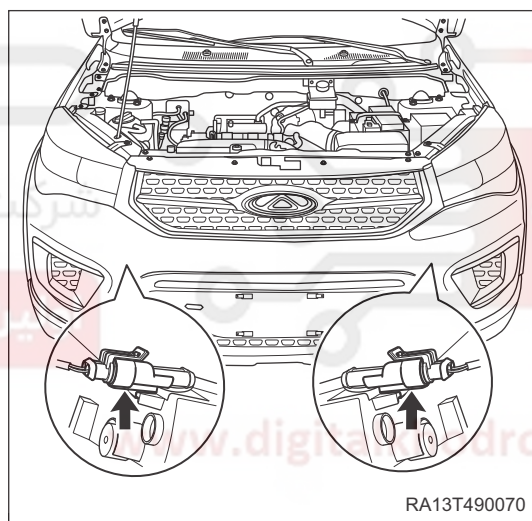
(Tightening torque: 5 ± 1 N·m)



- e. Disengage claws from front bumper assembly (take left side as an example).



- f. Disconnect front daytime running light connectors (arrow), and remove front bumper assembly (1).

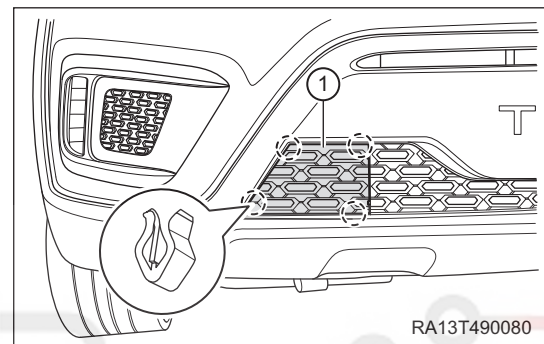


Disassembly

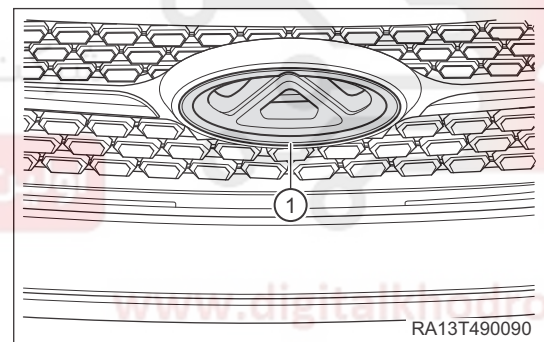
CAUTION

- Be sure to wear necessary safety equipment to prevent accidents, when disassembling front bumper assembly.
- Appropriate force should be applied, when disassembling front bumper assembly. Be careful not to operate roughly.
- Avoid breaking claws, when disassembling front bumper assembly.

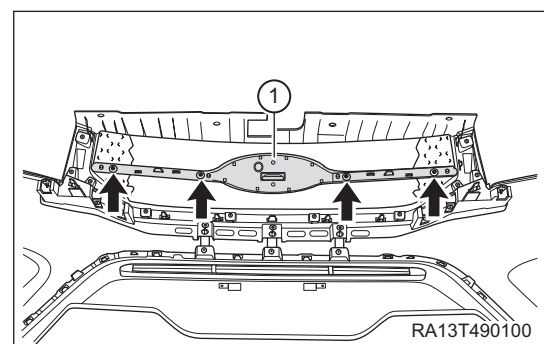
1. Remove the front bumper towing hook cover.
 - a. Using a screwdriver wrapped with protective tape, pry off front bumper towing hook cover.
 - b. Remove front bumper towing hook cover (1) from front bumper assembly.



2. Remove the name plate "CAC".
 - a. Using a screwdriver wrapped with protective tape, pry off dowel pins of name plate "CAC".
 - b. Remove name plate "CAC" (1) from front bumper assembly.

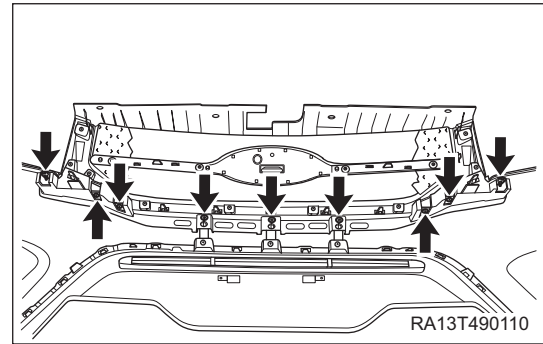


3. Remove the name plate "CAC" bracket.
 - a. Remove 4 fixing screws (arrow) from name plate "CAC" bracket, and remove name plate "CAC" bracket (1).
(Tightening torque: 5 ± 1 N·m)

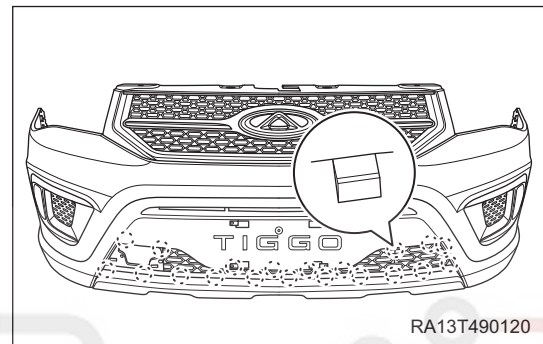


49 - EXTERIOR

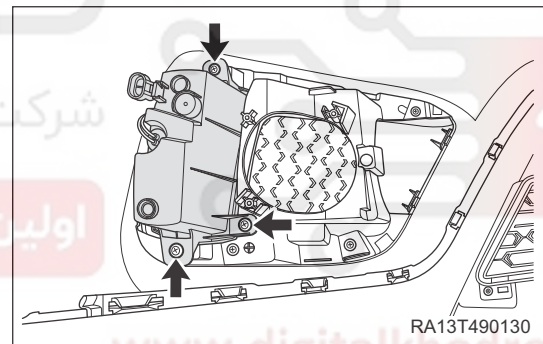
4. Remove the front grille assembly.
 - a. Remove 9 fixing screws (arrow) from inner side of grille.
(Tightening torque: 5 ± 1 N·m)
 - b. Remove the intake grille.



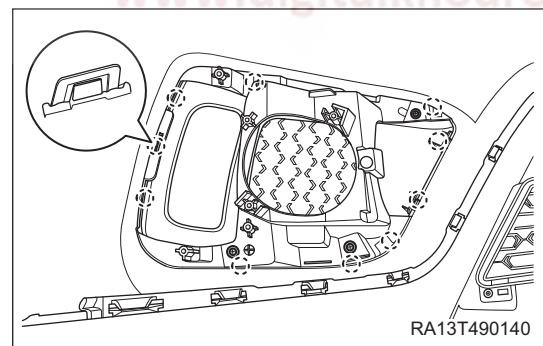
5. Remove the center intake grille.
 - a. Using a screwdriver wrapped with protective tape, pry off claws from center intake grille.
 - b. Remove center intake grille (1) from front bumper assembly.



6. Remove the front daytime running light assembly (take left side as an example).
 - a. Remove 3 fixing screws (arrow) from front daytime running light assembly.
(Tightening torque: 1.5 ± 0.5 N·m)
 - b. Remove daytime running light assembly from front bumper assembly.



7. Remove the front bumper daytime running light grille (take left side as an example).
 - a. Using a screwdriver wrapped with protective tape, pry off claws from front bumper daytime running light grille.
Remove 4 fixing screws (arrow) and clips from daytime running light grille.
 - b. Remove front bumper daytime running light grille from front bumper assembly.



Assembly

Assembly is in the reverse order of disassembly.

CAUTION

- Be sure to wear necessary safety equipment to prevent accidents, when assembling front bumper assembly.
- Try to prevent paint surface of front bumper assembly from being scratched, when assembling front bumper assembly.

Installation

Installation is in the reverse order of removal.

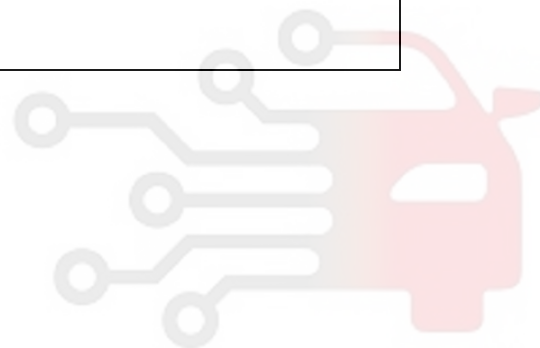
CAUTION

- Be sure to wear necessary safety equipment to prevent accidents, when installing front bumper assembly.
- Try to prevent body paint surface from being scratched, when installing front bumper assembly.
- Make sure that front bumper is installed correctly and fitting clearance between front bumper and body is appropriate, when installing front bumper assembly.

دیجیتال خودرو

شرکت دیجیتال خودرو سامانه (مسئولیت محدود)

اولین سامانه دیجیتال تعمیرکاران خودرو در ایران



021 62 99 92 92

www.digitalkhodro.com

Front Bumper Mounting Bracket

Removal

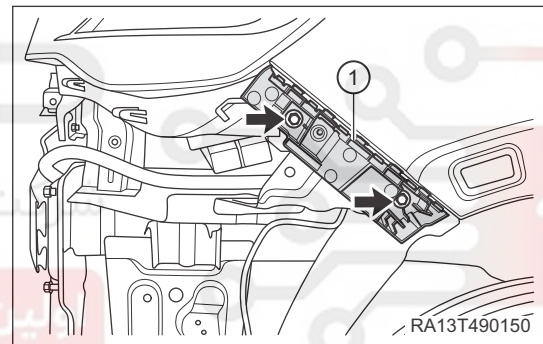
HINT:

- Use same procedures for right and left sides.
- Procedures listed below are for left side.

CAUTION

- Be sure to wear necessary safety equipment to prevent accidents, when removing front bumper mounting bracket.
- Try to prevent body paint surface from being scratched, when removing front bumper mounting bracket.

1. Turn off all electrical equipment and the ignition switch.
2. Disconnect the negative battery cable.
3. Remove the front bumper assembly (See page 49-7).
4. Remove the front bumper left mounting bracket.
 - a. Remove 2 fixing bolts (arrow) from front bumper left mounting bracket, and remove front bumper left mounting bracket (1).
(Tightening torque: $4.5 \pm 1 \text{ N}\cdot\text{m}$)



Installation

Installation is in the reverse order of removal.

CAUTION

- Be sure to wear necessary safety equipment to prevent accidents, when installing front bumper mounting bracket.
- Try to prevent body paint surface from being scratched, when installing front bumper mounting bracket.

Front Bumper Crossmember Assembly

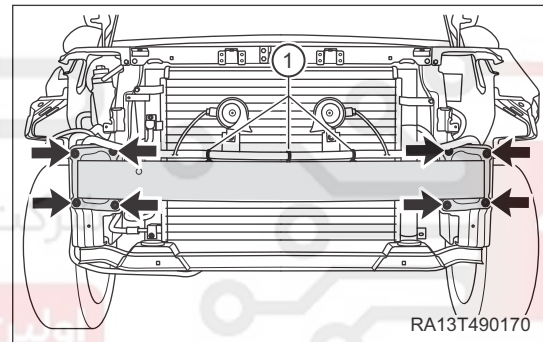
Removal

CAUTION

- Be sure to wear necessary safety equipment to prevent accidents, when removing front bumper crossmember assembly.
- Try to prevent body paint surface from being scratched, when removing front bumper crossmember assembly.

Procedures listed below are for left side.

1. Turn off all electrical equipment and the ignition switch.
2. Disconnect the negative battery cable.
3. Remove the front bumper assembly (See page 49-7).
4. Remove the horn (See page 42-8).
5. Remove the front bumper crossmember assembly.
 - a. Pry off the horn wire harness fixing clips (1).
 - b. Remove 8 fixing bolts (arrow) from front bumper crossmember assembly, and remove front bumper crossmember assembly.
(Tightening torque: 47 ± 3 N·m)



Installation

Installation is in the reverse order of removal.

CAUTION

- Be sure to wear necessary safety equipment to prevent accidents, when installing front bumper crossmember assembly.
- Try to prevent body paint surface from being scratched, when installing front bumper crossmember assembly.
- There should be no looseness, shaking and deformation, after installing front bumper crossmember assembly.

Front Wheel House Protector

Removal

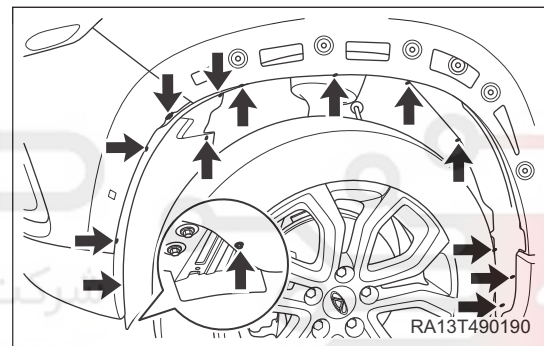
HINT:

- Use same procedures for right and left sides.
- Procedures listed below are for left side.

CAUTION

- Be sure to wear necessary safety equipment to prevent accidents, when removing front wheel house protector.
- Try to prevent body paint surface from being scratched, when removing front wheel house protector.

1. Remove the front wheel trims (See page 49-7).
2. Remove the front left wheel house protector.
 - a. Remove 14 fixing screws (arrow) from front left wheel house protector, and remove front left wheel house protector assembly.
(Tightening torque: 3 ± 1 N·m)



Installation

Installation is in the reverse order of removal.

CAUTION

- Be sure to wear necessary safety equipment to prevent accidents, when installing front wheel house protector assembly.
- Try to prevent body paint surface from being scratched, when installing front wheel house protector assembly.

Wing Assembly

Removal

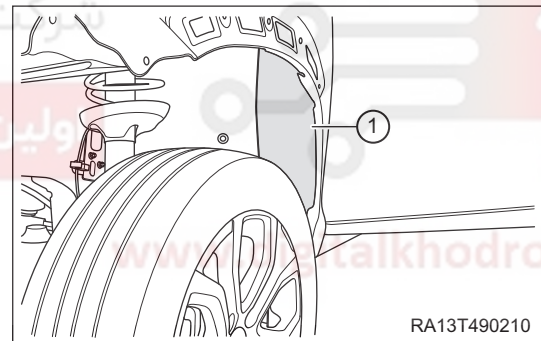
HINT:

- Use same procedures for right and left sides.
- Procedures listed below are for left side.

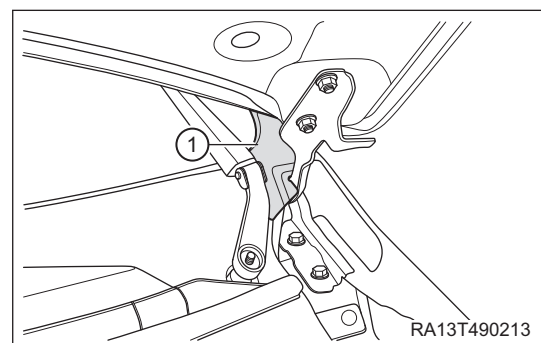
CAUTION

- Be sure to wear safety equipment to prevent accidents, when removing wing assembly.
- Try to prevent body paint surface from being scratched, when removing wing assembly.

1. Turn off all electrical equipment and the ignition switch.
2. Disconnect the negative battery cable.
3. Remove the front left wheel trims (See page 49-7).
4. Remove the front wheel house protector (See page 49-14).
5. Remove the left skirt protector assembly (See page 49-17).
6. Remove the front bumper assembly (See page 49-7).
7. Remove the front bumper left mounting bracket (See page 49-12).
8. Remove the left headlight assembly (See page 35-89).
9. Remove the left wing assembly.
 - a. Remove the front left wing spacer (1).



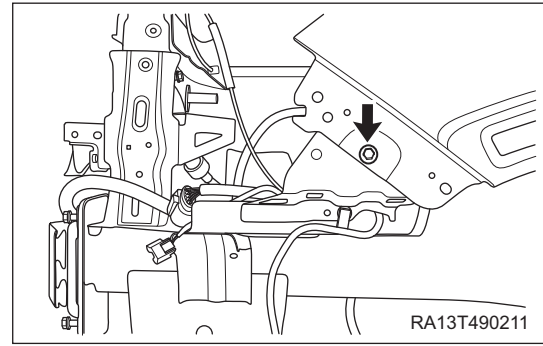
- b. Using a screwdriver wrapped with protective tape, pry off claw on front windshield lower support left sealing plate, and remove front windshield lower support left sealing plate (1).



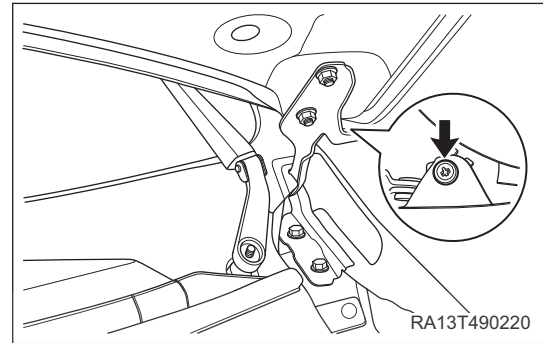
49 - EXTERIOR

- c. Remove fixing bolt (arrow) between front part of wing assembly and body.

(Tightening torque: 10 ± 1 N·m)

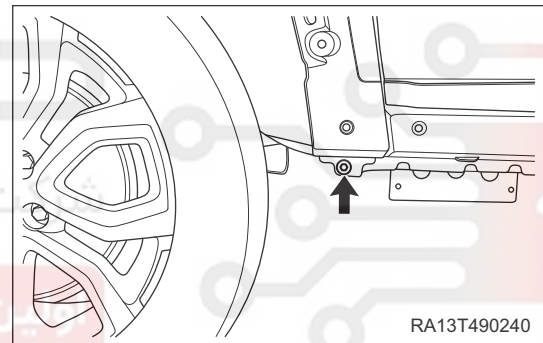


- d. Remove 4 fixing screws (arrow) from upper part of wing assembly.



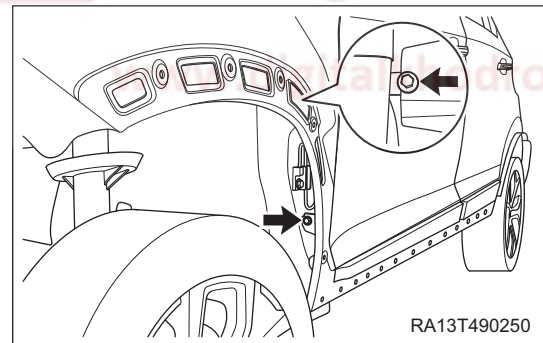
- e. Remove fixing bolt (arrow) between lower part of wing assembly and body.

(Tightening torque: 10 ± 1 N·m)



- f. Remove 2 fixing bolts (arrow) between inner part of wing assembly and body, and remove wing assembly.

(Tightening torque: 10 ± 1 N·m)



49 Installation

Installation is in the reverse order of removal.

CAUTION

- Be sure to wear safety equipment to prevent accidents, when installing front wing.
- Try to prevent body paint surface from being scratched, when removing front wing.
- Make sure that front wing is installed correctly and fitting clearance between front wing and body is appropriate, when installing front wing.

Side Skirt Protector Assembly

Removal

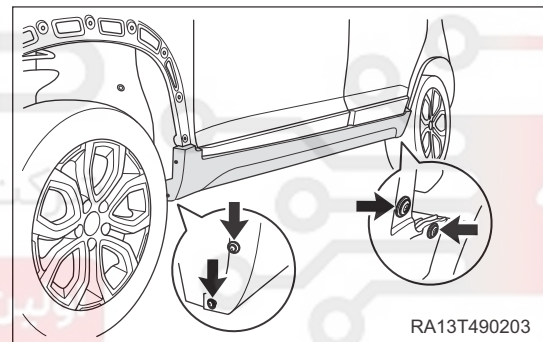
HINT:

- Use same procedures for right and left sides.
- Procedures listed below are for left side.

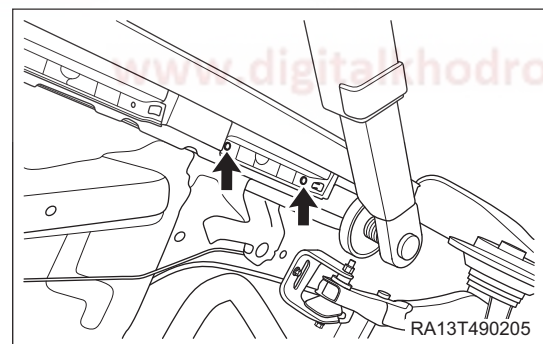
CAUTION

- Be sure to wear safety equipment to prevent accidents, when removing side skirt protector assembly.
- Try to prevent body paint surface from being scratched, when removing side skirt protector assembly.

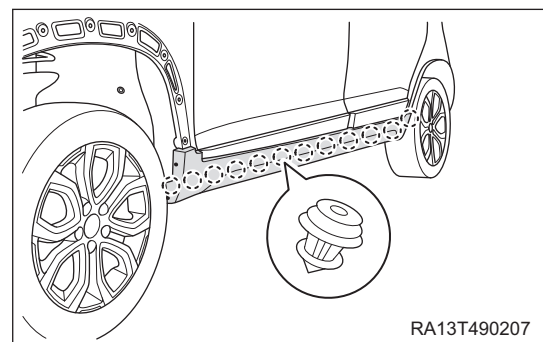
1. Turn off all electrical equipment and the ignition switch.
2. Disconnect the negative battery cable.
3. Remove the front wheel house protector (See page 49-14).
4. Remove the rear left wheel trims mounting bracket (See page 49-27).
5. Remove the side skirt protector assembly.
 - a. Remove 4 fixing screws (arrow) on both ends of left skirt protector.



- b. Raise vehicle to a proper position, and remove fixing screws (arrow) from left skirt protector.



- c. Using an interior crow plate, pry up left skirt protector.



49 - EXTERIOR

Installation

Installation is in the reverse order of removal.

CAUTION

- Be sure to wear safety equipment to prevent accidents, when installing left skirt protector.
- Try to prevent body paint surface from being scratched, when installing left skirt protector.

دیجیتال خودرو

شرکت دیجیتال خودرو سامانه (مسئولیت محدود)

اولین سامانه دیجیتال تعمیرکاران خودرو در ایران



www.digitalkhodro.com

Front Left Door Trim Board

Removal

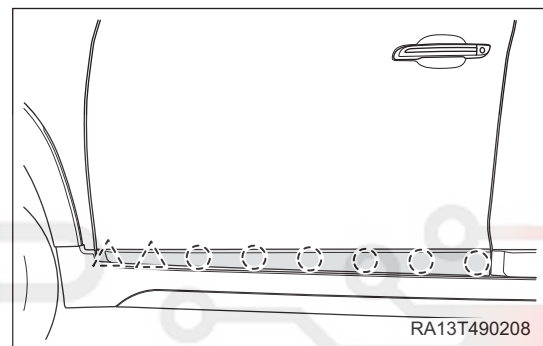
HINT:

- Use same procedures for right and left sides.
- Procedures listed below are for left side.

CAUTION

- Be sure to wear necessary safety equipment to prevent accidents, when removing front left door trim board.
- Try to prevent body paint surface from being scratched, when removing front left door trim board.

1. Using an interior crow plate, pry off fixing clips from front left door trim board.



2. Remove the front left door trim board.

Installation

Installation is in the reverse order of removal.

CAUTION

- Be sure to wear safety equipment to prevent accidents, when installing front left door trim board.
- Try to prevent body paint surface from being scratched, when installing front left door trim board.

Rear Left Door Trim Board

Removal

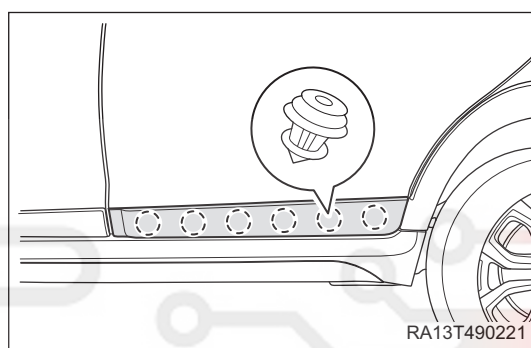
HINT:

- Use same procedures for right and left sides.
- Procedures listed below are for left side.

CAUTION

- Be sure to wear necessary safety equipment to prevent accidents, when removing rear left door trim board.
- Try to prevent body paint surface from being scratched, when removing rear left door trim board.

1. Using an interior crow plate, pry off fixing clips from rear left door trim board.



2. Remove the rear left door trim board.

Installation

Installation is in the reverse order of removal.

CAUTION

- Be sure to wear safety equipment to prevent accidents, when installing rear left door trim board.
- Try to prevent body paint surface from being scratched, when installing rear left door trim board.

Rear Bumper Assembly

Removal

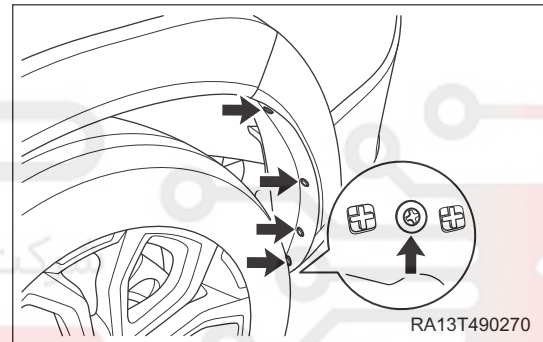
CAUTION

- Be sure to wear necessary safety equipment to prevent accidents, when removing rear bumper assembly.
- Appropriate force should be applied, when removing rear bumper assembly. Be careful not to operate roughly.
- Try to prevent body paint surface from being scratched, when removing rear bumper assembly.

1. Turn off all electrical equipment and the ignition switch.
2. Disconnect the negative battery cable.
3. Remove the rear left and right combination lights (See page 35-93).
4. Remove the rear bumper assembly.

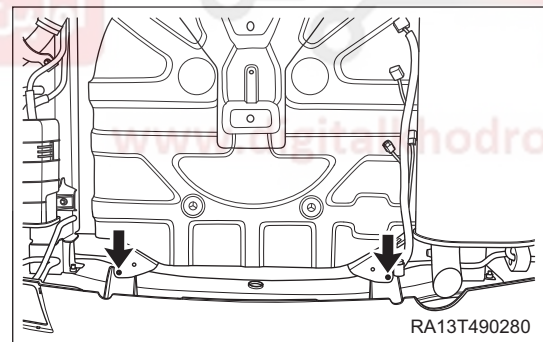
- a. Remove 5 fixing screws (arrow) between rear bumper assembly and rear wheel house protector (take left side as an example).

(Tightening torque: 3 ± 1 N·m)



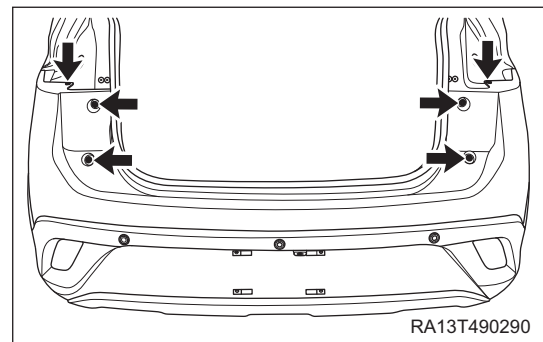
- b. Raise vehicle to a proper height, and remove 2 fixing screws (arrow) from lower part of rear bumper assembly.

(Tightening torque: 5 ± 1 N·m)



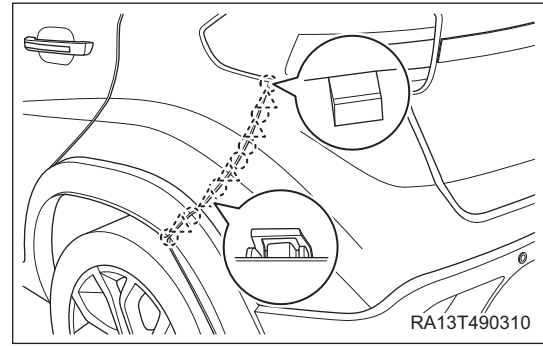
- c. Lower vehicle and remove 6 fixing screws (arrow) from upper part of rear bumper assembly.

(Tightening torque: 1.5 ± 0.5 N·m)

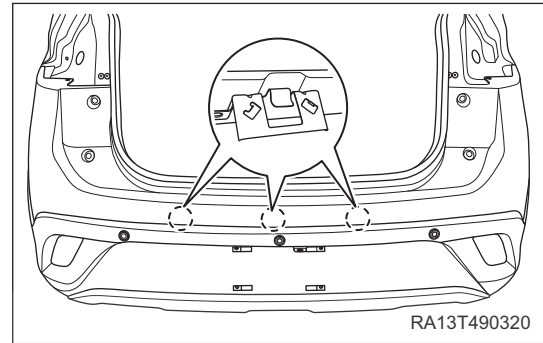


49 - EXTERIOR

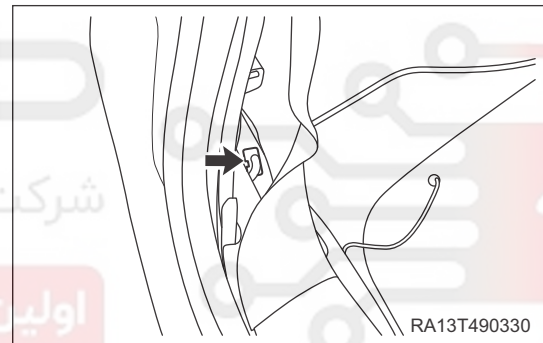
- d. Disengage claws from the side of rear bumper assembly (take left side as an example).



- e. Disengage claws from front part of rear bumper assembly.



- f. Disconnect connector (arrow) from rear bumper assembly, and remove rear bumper assembly.



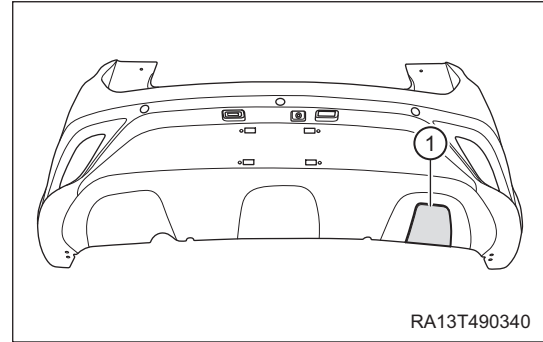
Disassembly

CAUTION

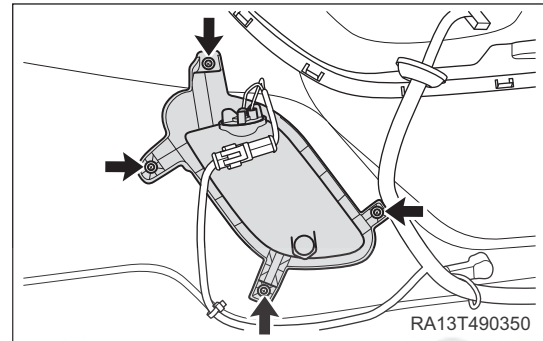
- Be sure to wear necessary safety equipment to prevent accidents, when disassembling rear bumper assembly.
- Appropriate force should be applied, when disassembling rear bumper assembly. Be careful not to operate roughly.
- Avoid breaking claws, when disassembling rear bumper assembly.

1. Remove the reversing radar sensor ([See page 40-8](#)).

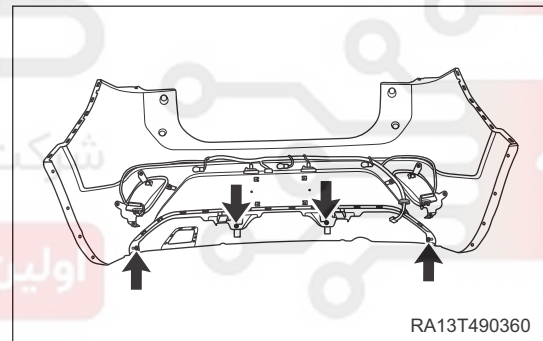
2. Remove the rear bumper towing hook cover.
 - a. Using a screwdriver wrapped with protective tape, pry off claw on rear bumper towing hook cover.
 - b. Remove rear bumper towing hook cover (1) from rear bumper assembly.



3. Remove the rear fog light assembly (take left side as an example).
 - a. Remove 4 screws (arrow) from rear bumper inner fog light, and remove rear fog light assembly.



4. Remove the rear bumper spoiler.
 - a. Remove 4 fixing screws (arrow) and clips from rear bumper spoiler, and remove rear bumper spoiler.



021 62 99 92 Installation

Installation is in the reverse order of removal.

CAUTION

- Be sure to wear necessary safety equipment to prevent accidents, when installing rear bumper assembly.
- Try to prevent body paint surface from being scratched, when installing rear bumper assembly.
- Make sure that rear bumper is installed correctly and fitting clearance between rear bumper and body is appropriate, when installing rear bumper assembly.

Rear Bumper Mounting Bracket

Removal

HINT:

- Use same procedures for right and left sides.
- Procedures listed below are for left side.

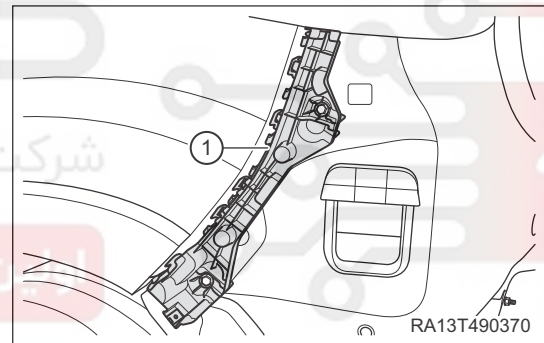
CAUTION

- Be sure to wear necessary safety equipment to prevent accidents, when removing rear bumper mounting bracket.
- Try to prevent body paint surface from being scratched, when removing rear bumper mounting bracket.

1. Turn off all electrical equipment and the ignition switch.
2. Disconnect the negative battery cable.
3. Remove the rear left and right combination light assemblies (See page 35-93).
4. Remove the rear bumper assembly (See page 49-21).
5. Remove the rear bumper left mounting bracket

- a. Remove 2 fixing bolts (arrow) from rear bumper left mounting bracket, and remove rear bumper left mounting bracket (1).

(Tightening torque: 1.5 ± 0.5 N·m)



Installation

Installation is in the reverse order of removal.

CAUTION

- Be sure to wear necessary safety equipment to prevent accidents, when installing rear bumper mounting bracket.
- Try to prevent body paint surface from being scratched, when installing rear bumper mounting bracket.

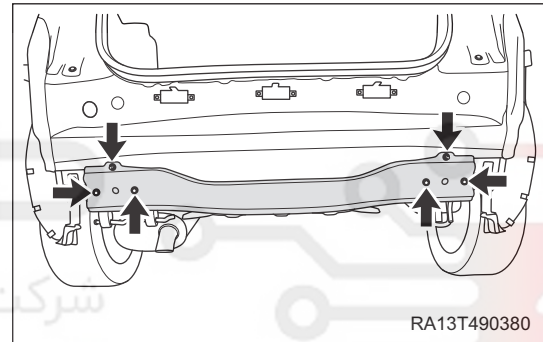
Rear Bumper Crossmember Assembly

Removal

CAUTION

- Be sure to wear necessary safety equipment to prevent accidents, when removing rear bumper crossmember assembly.
- Try to prevent body paint surface from being scratched, when removing rear bumper crossmember assembly.

1. Turn off all electrical equipment and the ignition switch.
2. Disconnect the negative battery cable.
3. Remove the rear bumper assembly (See page 49-21).
4. Remove the rear bumper crossmember assembly.
 - a. Remove 6 fixing nuts (arrow) from rear bumper crossmember assembly, and remove rear bumper crossmember assembly.
(Tightening torque: 25 ± 2 N·m)



Installation

Installation is in the reverse order of removal.

CAUTION

- Be sure to wear necessary safety equipment to prevent accidents, when installing rear bumper crossmember assembly.
- Try to prevent body paint surface from being scratched, when installing rear bumper crossmember assembly.
- There should be no looseness, shaking and deformation after installing rear bumper crossmember assembly.

Rear Left Wheel Trims

Removal

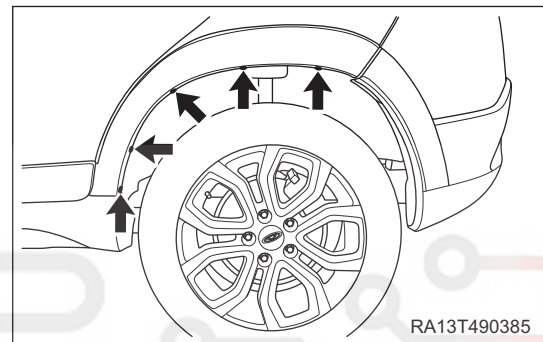
HINT:

- Use same procedures for right and left sides.
- Procedures listed below are for left side.

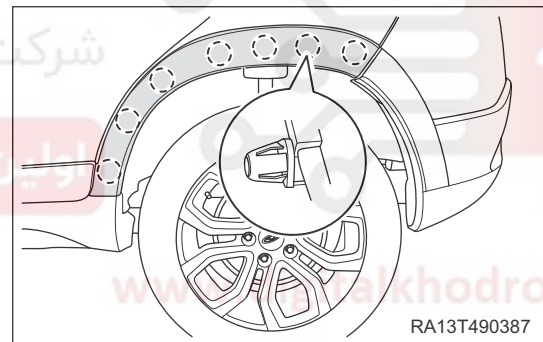
CAUTION

- Be sure to wear necessary safety equipment to prevent accidents, when removing rear left wheel trims.
- Try to prevent body paint surface from being scratched, when removing rear left wheel trims.

1. Remove 5 fixing screws (arrow) from rear left wheel trims.



2. Using a screwdriver wrapped with protective tape, pry off clips from rear left wheel trims.



3. Remove the rear left wheel trims.

Installation

Installation is in the reverse order of removal.

CAUTION

- Be sure to wear safety equipment to prevent accidents, when installing rear left wheel trims.
- Try to prevent body paint surface from being scratched, when installing rear left wheel trims.

Rear Wheel House Protector

Removal

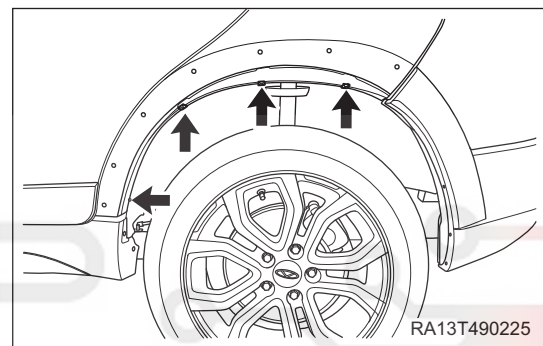
HINT:

- Use same procedures for right and left sides.
- Procedures listed below are for left side.

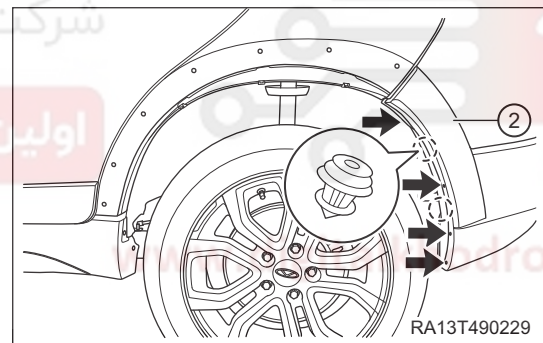
CAUTION

- Be sure to wear necessary safety equipment to prevent accidents, when removing rear wheel house protector.
- Try to prevent body paint surface from being scratched, when removing rear wheel house protector.

1. Remove the rear left wheel trims (See page 49-26).
2. Remove 4 fixing screws (arrow) from rear left wheel trims mounting bracket.



3. Remove the rear left wheel trims mounting bracket.
4. Remove 4 fixing screws (arrow) and 2 fixing plastic clips from rear left wheel house protector.



5. Remove the rear left wheel house protector (2).

Installation

Installation is in the reverse order of removal.

CAUTION

- Be sure to wear necessary safety equipment to prevent accidents, when removing rear left wheel house protector.
- Try to prevent body paint surface from being scratched, when removing rear left wheel house protector.

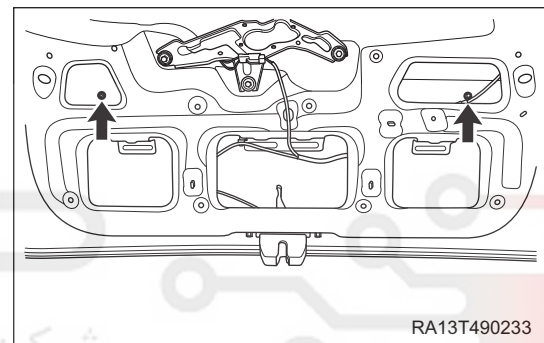
Rear Trim Strip Assembly

Removal

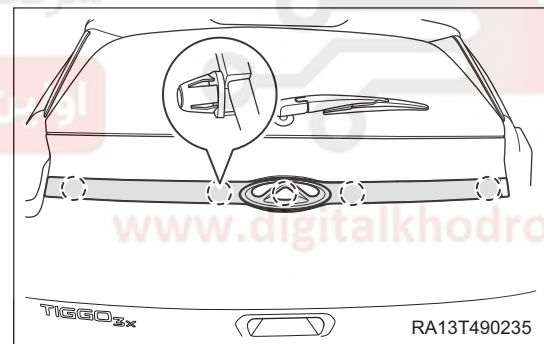
CAUTION

- Be sure to wear necessary safety equipment to prevent accidents, when removing rear trim strip assembly.
- Appropriate force should be applied when removing rear trim strip assembly. Be careful not to operate roughly.
- Try to prevent body paint surface from being scratched, when removing rear trim strip assembly.

1. Remove the back door panel (See page 48-36).
2. Remove the rear trim strip assembly.
 - a. Remove 2 fixing bolts (arrow) from rear trim strip.



- b. Using an interior crow plate, pry up clips from rear trim strip assembly.



- c. Remove the rear trim strip assembly.

Installation

Installation is in the reverse order of removal.

CAUTION

- Be sure to wear safety equipment to prevent accidents, when installing rear trim strip assembly.
- Try to prevent body paint surface from being scratched, when installing rear trim strip assembly.

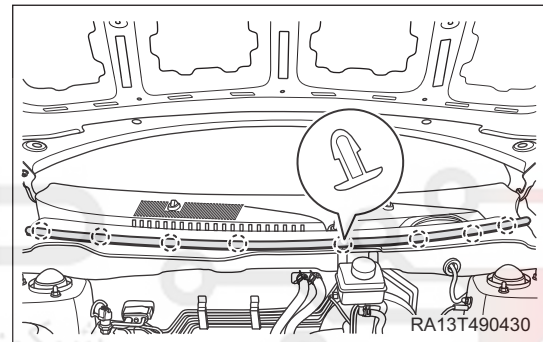
Front Windshield Lower Support Assembly

Removal

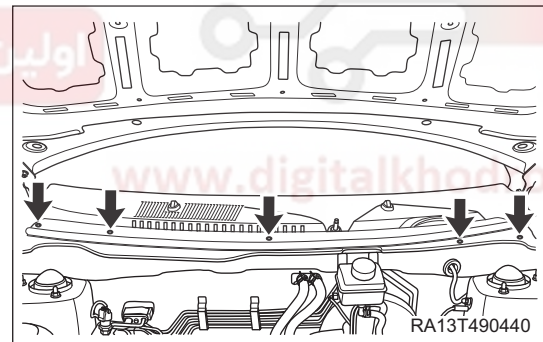
CAUTION

- Be sure to wear necessary safety equipment to prevent accidents, when removing front windshield lower support assembly.
- Try to prevent body paint surface from being scratched, when removing front windshield lower support assembly.

1. Remove the wiper arm assembly (See page 36-29).
2. Remove the front windshield lower support sealing plate (See page 49-15).
3. Remove the front windshield lower support weatherstrip.
 - a. Remove clips from front windshield lower support weatherstrip, and remove front windshield lower support weatherstrip (1).



4. Remove the front windshield lower support assembly.
 - a. Remove 5 fixing screws (arrow) from front windshield lower support assembly, and remove front windshield lower support assembly.
(Tightening torque: $3.0 \pm 0.5 \text{ N}\cdot\text{m}$)



Installation

Installation is in the reverse order of removal.

CAUTION

- Be sure to wear necessary safety equipment to prevent accidents, when installing front windshield lower support assembly.
- Try to prevent body paint surface from being scratched, when installing front windshield lower support assembly.

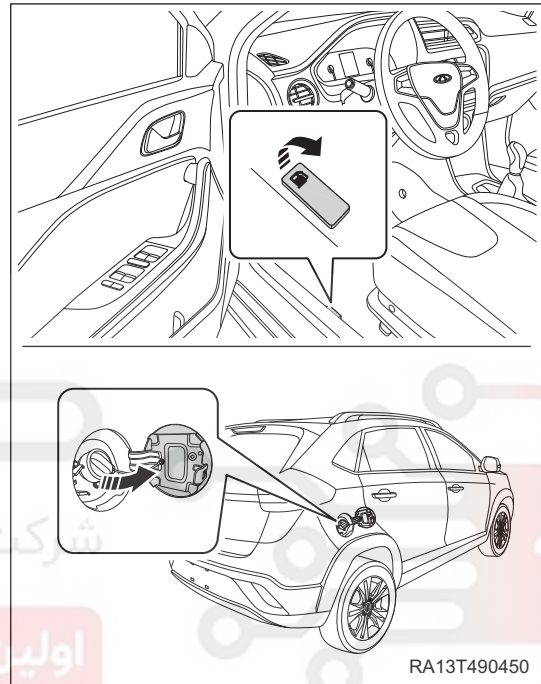
Fuel Filler Cap Assembly

Removal

CAUTION

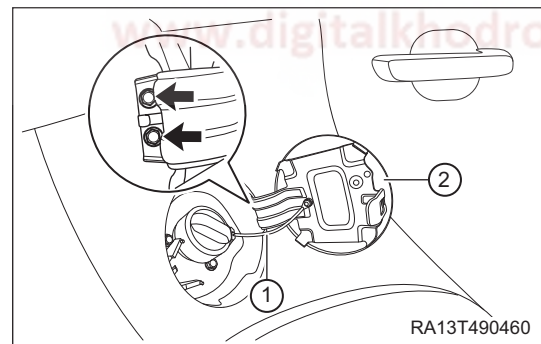
- Be sure to wear safety equipment to prevent accidents, when removing fuel filler cap assembly.
- Try to prevent body paint surface from being scratched, when removing fuel filler cap assembly.

1. Open fuel filler cap assembly as shown in illustration.



2. Remove the fuel filler cap assembly.

- Disconnect connecting wire (1) from fuel filler cap assembly.
- Remove 2 fixing bolts (arrow) from fuel filler cap assembly, and remove fuel filler cap assembly (2).
(Tightening torque: 10 ± 1 N·m)



Installation

Installation is in the reverse order of removal.

CAUTION

- Be sure to wear safety equipment to prevent accidents, when installing fuel filler cap assembly.
- Try to prevent body paint surface from being scratched, when installing fuel filler cap assembly.

Roof Rack Assembly

Removal

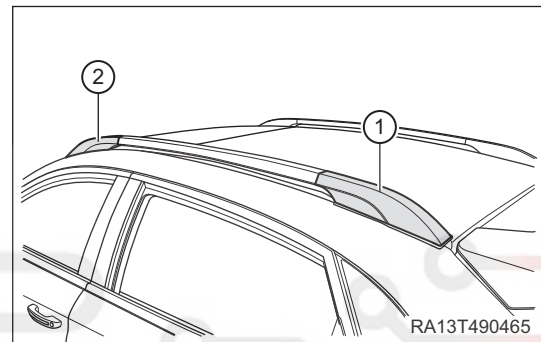
HINT:

- Use same procedures for right and left sides.
- Procedures listed below are for left side.

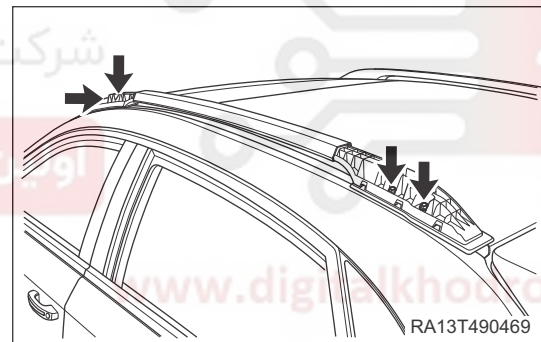
CAUTION

- Be sure to wear necessary safety equipment to prevent accidents, when removing roof rack.
- Try to prevent body paint surface from being scratched, when removing roof rack.

1. Using a screwdriver wrapped with protective tape, pry off roof rack outer trim board on front left end (2) and roof rack outer trim board on rear left end (1).



2. Remove 4 fixing bolts (arrow) from front and rear ends of roof rack outer trim board.



3. Remove the roof rack assembly.

Installation

Installation is in the reverse order of removal.

CAUTION

- Be sure to wear safety equipment to prevent accidents, when installing roof rack assembly.
- Try to prevent body paint surface from being scratched, when installing roof rack assembly.

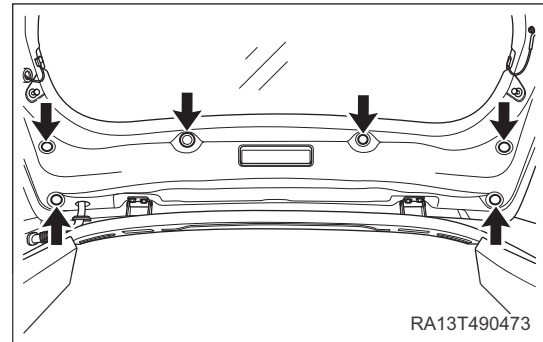
Rear Spoiler Assembly

Removal

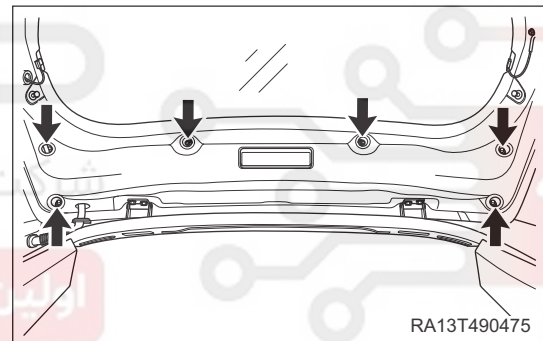
CAUTION

- Be sure to wear necessary safety equipment to prevent accidents, when removing rear spoiler assembly.
- Try to prevent body paint surface from being scratched, when removing rear spoiler assembly.

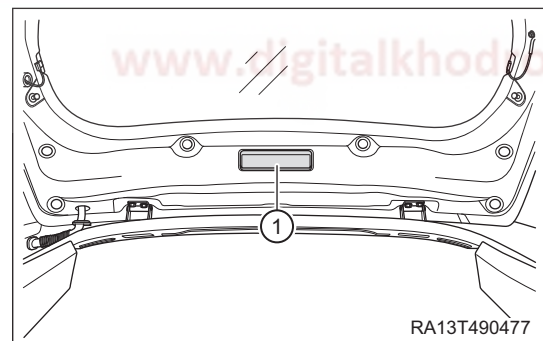
1. Using a screwdriver wrapped with protective tape, pry off caps (arrow) from rear spoiler assembly fixing nut.



2. Remove 6 fixing nuts (arrow) from rear spoiler.

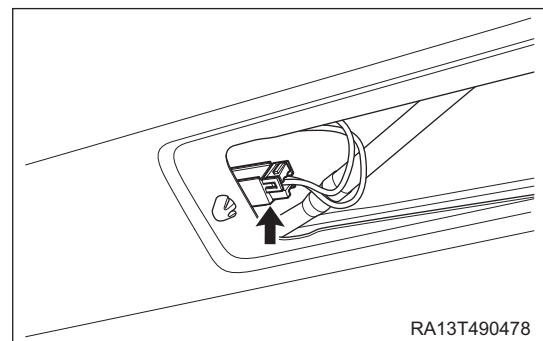


3. Remove the high mounted stop light wire harness cover plate (1).

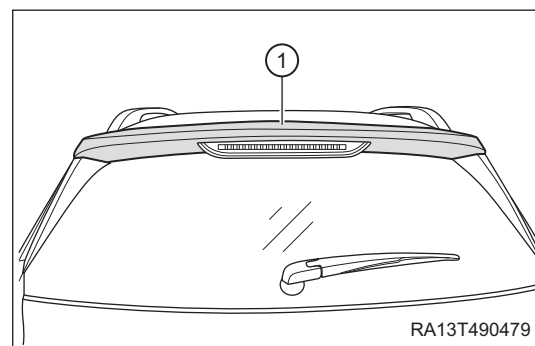


49

4. Disconnect the high mounted stop light wire harness connector (arrow).



5. Remove the spoiler assembly (1).



Installation

Installation is in the reverse order of removal.

CAUTION

- Be sure to wear safety equipment to prevent accidents, when installing rear spoiler assembly.
- Try to prevent body paint surface from being scratched, when installing rear spoiler assembly.

دیجیتال خودرو

شرکت دیجیتال خودرو سامانه (مسئولیت محدود)

اولین سامانه دیجیتال تعمیرکاران خودرو در ایران



www.digitalkhodro.com

021 62 99 92 92

Name Plate

Removal

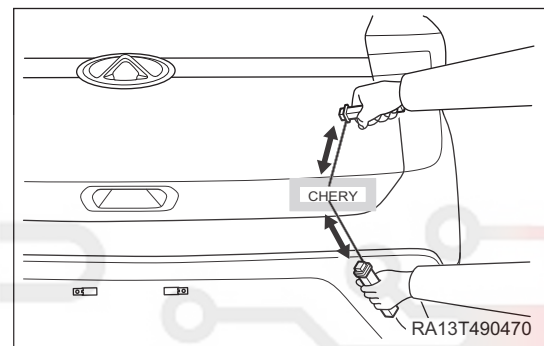
HINT:

- Use same procedures for front name plate "CAC", rear name plate "CAC", name plate "TIGGO3x" and name plate "CHERY".
- Procedures listed below are for name plate "CHERY".

CAUTION

- If planning to reuse name plate "CHERY", be careful not to damage it.
- Try to prevent body paint surface from being scratched, when removing name plate "CHERY".

1. Remove the name plate "CHERY".
 - a. Attach protective tape around the name plate "CHERY".
 - b. Insert a piano wire between body and name plate "CHERY".
 - c. Tie both ends of piano wire with objects (such as wooden blocks) that can serve as handles.
 - d. Pull piano wire to remove double-sided tape that holds name plate on body.
 - e. Remove the name plate "CHERY".



Installation

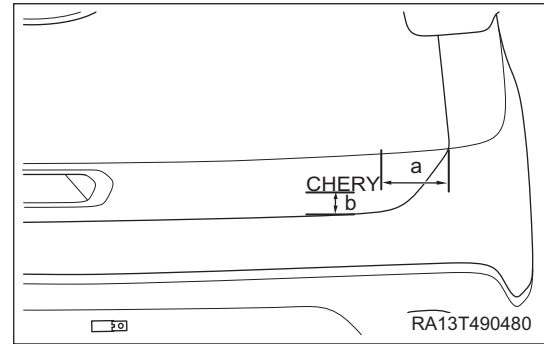
1. Clean the body surface.
 - a. Using a heat light, heat body surface, and remove double-sided tape from body.
 - b. Wipe off all tape adhesive residues with cleaner.
2. Clean the name plate "CHERY" (if planning to reuse name plate "CHERY").
 - a. Using a heat light, heat name plate, and remove double-sided tape from name plate "CHERY".
 - b. Wipe off all tape adhesive residues with cleaner.
 - c. Apply new double-sided tape to name plate "CHERY".
3. Install the name plate "CHERY".
 - a. Using a heat light, heat body and name plate "CHERY".
 - b. Remove release paper from name plate "CHERY", and install name plate "CHERY" in place.

CAUTION

- DO NOT overheat body and name plate.
- DO NOT remove release paper from name plate in advance.
- DO NOT touch name plate adhesive surface with hands.
- After removing release paper, prevent foreign matter from attaching to the outside adhesive.

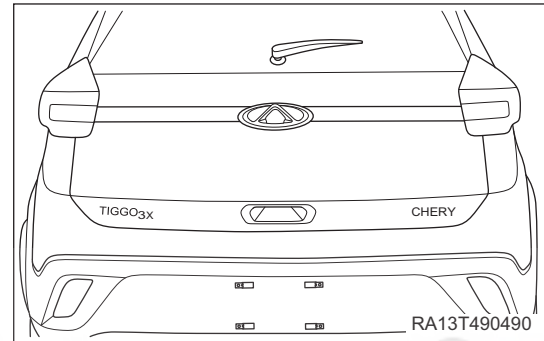
4. Installation distance ranges for name plate "CHERY" are as follows:

- When attaching name plate "CHERY", keep it horizontal and centered.
- Vertical distance "a" between right side of name plate "CHERY" and right side of back door is 80 ± 2 mm.
- Vertical distance "b" between lower side of name plate "CHERY" and the lower side of back door is 46 ± 2 mm.



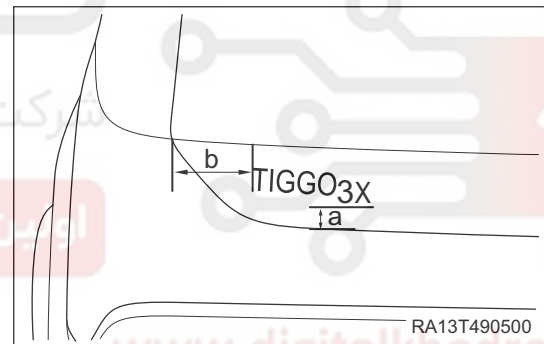
5. Install the rear name plate "CAC".

- Position rear name plate "CAC" directly into the fixed box of rear trim strip.



6. Installation distance ranges for name plate "TIGGO3x" are as follows:

- When attaching name plate "TIGGO3x", keep it horizontal and centered.
- Vertical distance "a" between lower side of name plate "TIGGO3x" and lower side of back door is 48 ± 2 mm.
- Vertical distance "b" between left side of name plate "TIGGO3x" and left side of back door is 78 ± 2 mm.



- MEMO -

دیجیتال خودرو

شرکت دیجیتال خودرو سامانه (مسئولیت محدود)

اولین سامانه دیجیتال تعمیرکاران خودرو در ایران



021 62 99 92 92

www.digitalkhodro.com