

Driveline System

2.2 Driveline System

CS35

2.2.3 Differential

Specifications	2.2.3-1
General Specifications	2.2.3-1
Torque Specifications	2.2.3-1
Description and Operation.....	2.2.3-2
Exploded View	2.2.3-2
Symptom Diagnosis and Testing.....	2.2.3-3
Disassembly and Assembly	2.2.3-4
Differential.....	2.2.3-4

دیجیتال خودرو

شرکت دیجیتال خودرو سامانه (مسئولیت محدود)

اولین سامانه دیجیتال تعمیرکاران خودرو در ایران



Specifications

General Specifications

Item	Model
Transmission oil type	MTF94
Manual transmission oil capacity	1.9 ~ 2.1 L
Final drive ratio	4.25

Torque Specifications

Item	Nm	lb-ft	lb-in
Final drive driven gear fixing bolt	90	66	-

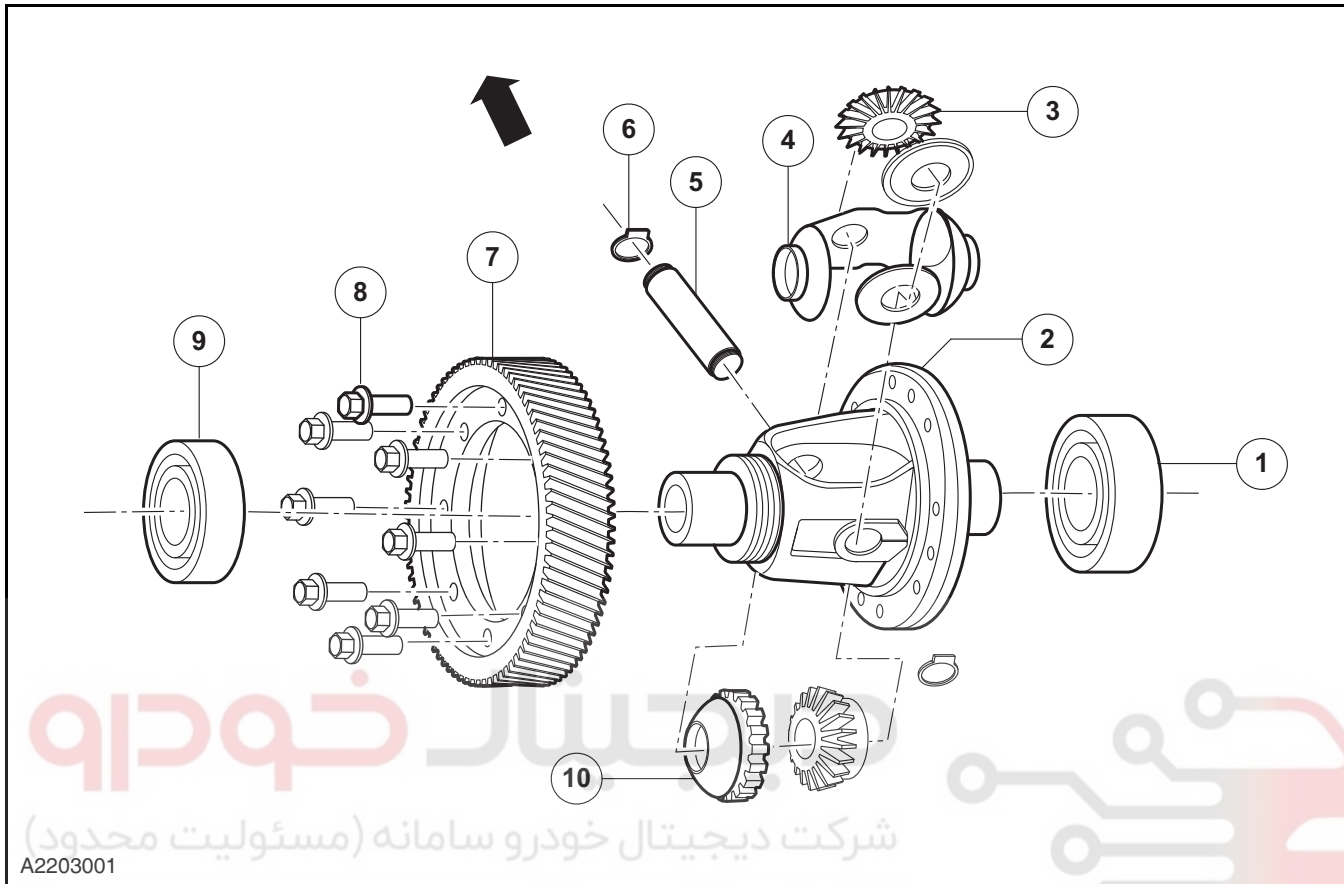
دیجیتال خودرو

شرکت دیجیتال خودرو سامانه (مسئولیت محدود)

اولین سامانه دیجیتال تعمیرکاران خودرو در ایران



Description and Operation
Exploded View



Item	Description	Item	Description
1	Differential left bearing	6	Planetary gear retainer ring
2	Differential casing	7	Final drive gear
3	Planetary gear	8	Differential bolt
4	Differential pad	9	Differential right bearing
5	Planetary gear shaft	10	Differential half shaft gear

Symptom Diagnosis and Testing

Refer to: Symptom Chart (2.2.1 Driveline System - General Information, Symptom Diagnosis and Testing).

دیجیتال خودرو

شرکت دیجیتال خودرو سامانه (مسئولیت محدود)

اولین سامانه دیجیتال تعمیرکاران خودرو در ایران



Disassembly and Assembly

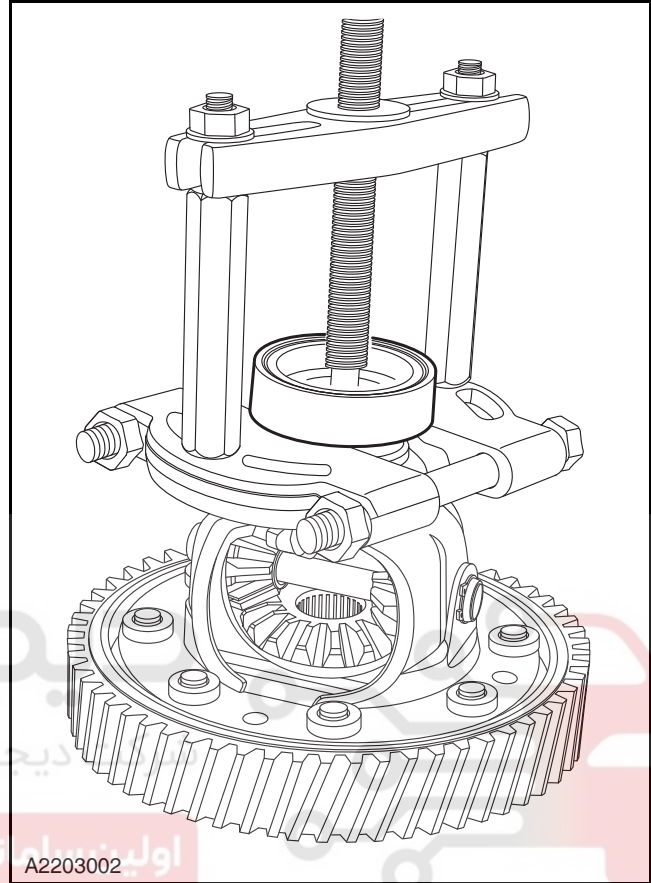
Differential

Disassembly

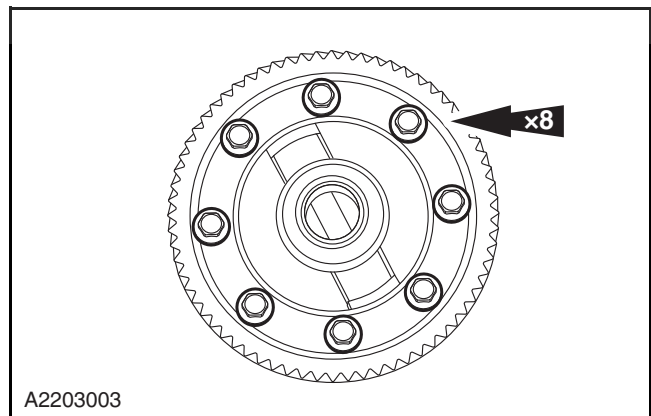
1. Remove the differential right bearing cone with universal bearing extractor.

⚠ CAUTION: Remove the gear or bearing with suitable tools. Prevent parts damage.

⚠ CAUTION: Use the vise holder protector all the time when using the vise.



2. Remove the final drive gear bolts to the differential.



2.2.3-5

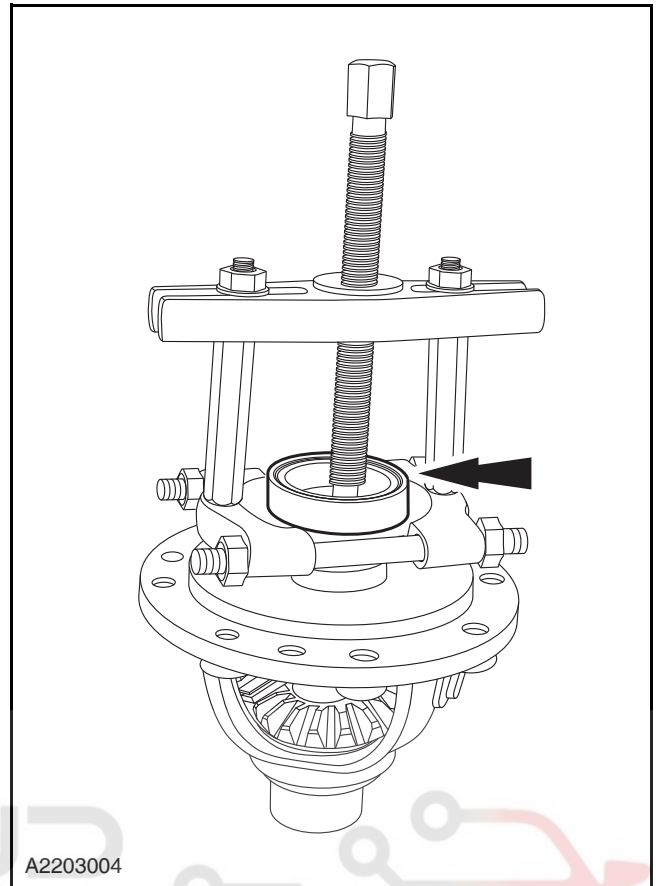
Differential

2.2.3-5

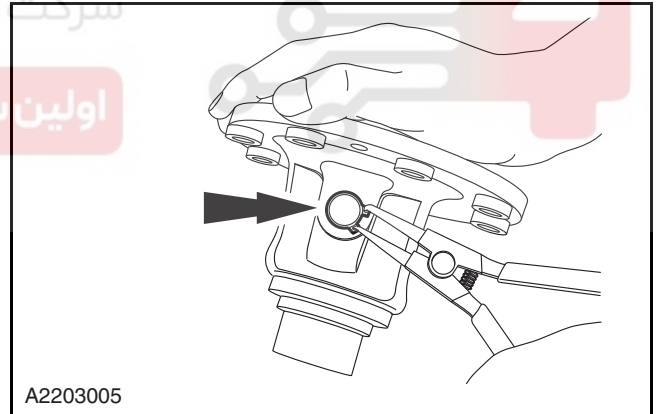
3. Remove the differential left bearing.

CAUTION: Remove the gear or bearing with suitable tools.

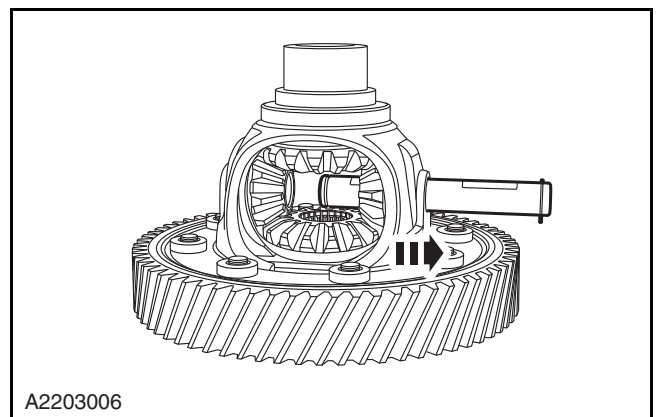
CAUTION: Use the vise holder protector all the time when using the vise.



4. Remove the planetary gear shaft snap ring with a snap ring plier.



5. Remove the planetary gear shaft.

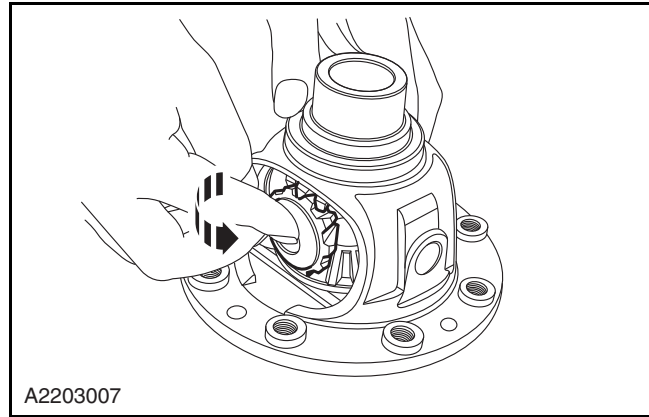


2.2.3-6

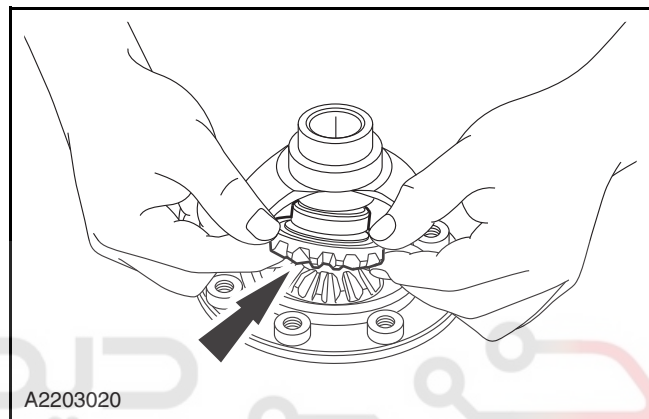
Differential

2.2.3-6

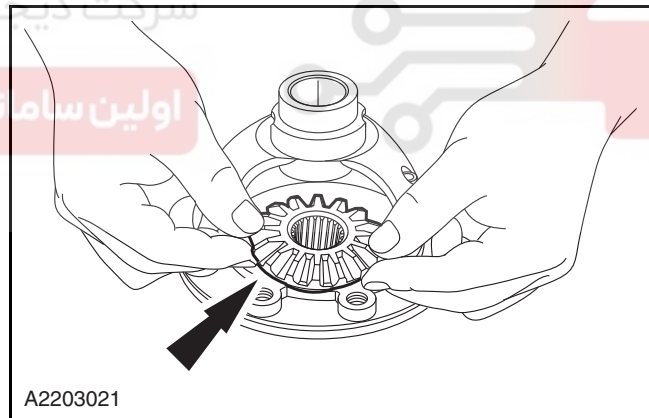
6. Rotate the drive shaft gear and remove the planetary gear and the planetary gear washer.



7. Remove the differential right half shaft gear and the differential half shaft washer.



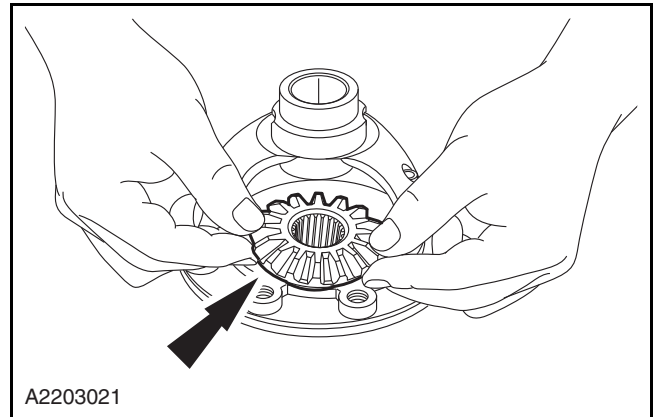
8. Remove the differential left half shaft gear and the differential half shaft washer.



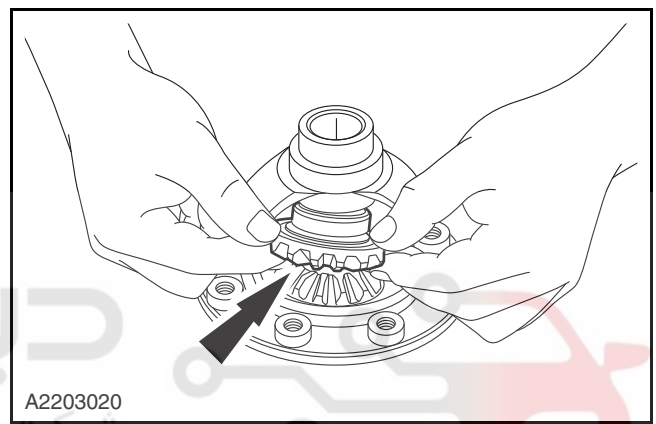
Assembly

⚠ CAUTION: Clean carefully and inspect all the components before assembling and lubricating them with manual transmission oil.

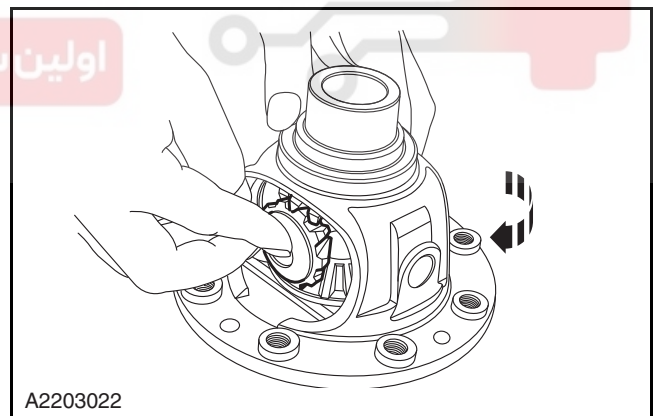
1. Install the differential left half shaft washer and the differential left half shaft gear.



2. Install the differential right half shaft washer and the differential right half shaft gear.



3. Install the planetary gear.

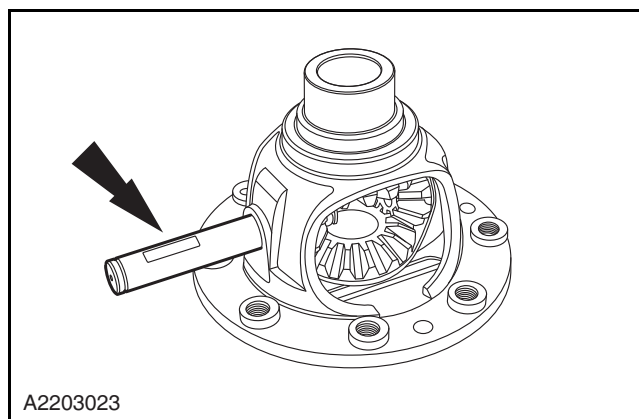


2.2.3-8

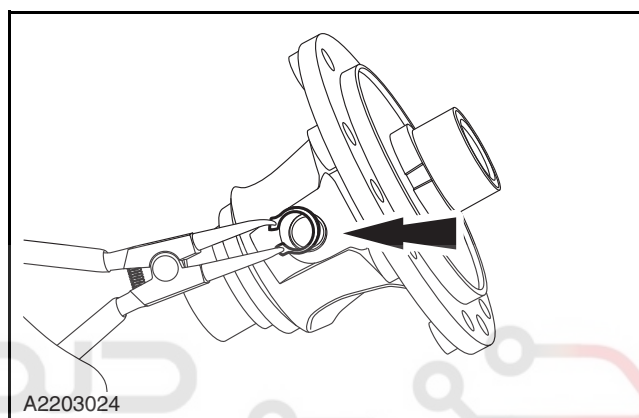
Differential

2.2.3-8

4. Install the planetary gear shaft.



5. Install the planetary gear shaft circlip.

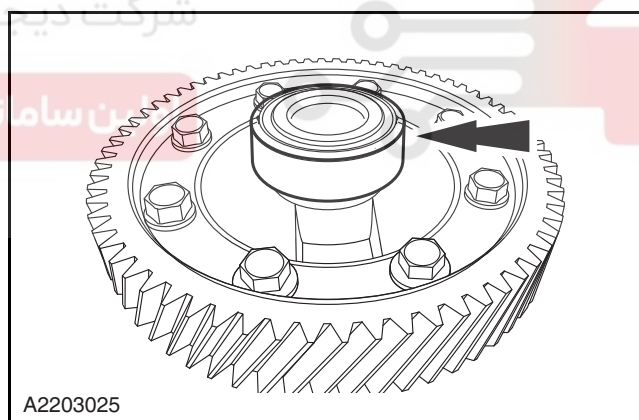


6. Install the differential left bearing with suitable tools.

- CAUTION:**
1. Inspect the bottom of the tapered roller bearing to see if the color changed.
 2. Inspect whether the bottom of the tapered roller bearing is worn due to improper installation, exaggerated preload or bearing damage.

- CAUTION:** Install new bearing and differential oil seal if above situation exists.

- WARNING:** All the gears and bearings have directions. Do not confuse them wrongly.



2.2.3-9

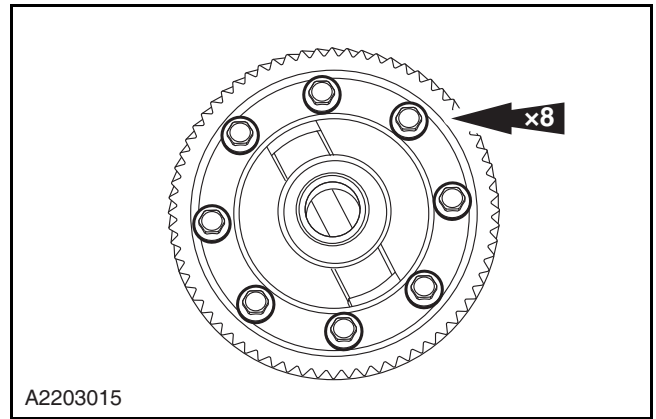
Differential

2.2.3-9

7. Install the final drive gear and the differential bolt.

CAUTION: Lock the ring gear fixing bolt and fasten it to the specified torque with average strength with hands.

CAUTION: Install the new ring gear fixing bolt.



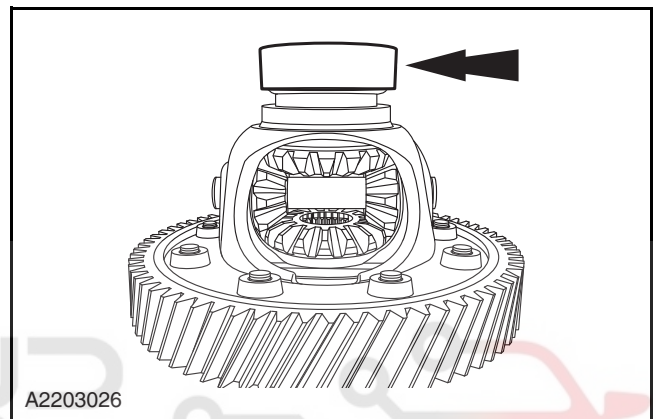
8. Install the differential right bearing with suitable tools.

CAUTION:

1. Inspect the bottom of the tapered roller bearing to see if the color changed.
2. Inspect whether the bottom of the tapered roller bearing is worn due to improper installation, exaggerated preload or bearing damage.

CAUTION: Install new bearing and differential oil seal if above situation exists.

WARNING: All the gears and bearings have directions. Do not confuse them wrongly.



شرکت دیجیتال خودرو سامانه (مسئله تخصصی خود)
اولین سامانه دیجیتال تعمیرکاران خودرو در ایران