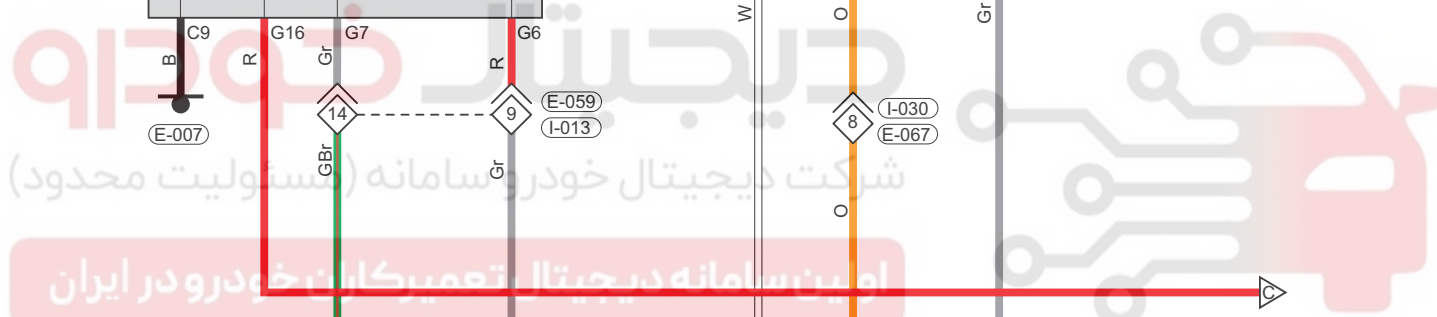
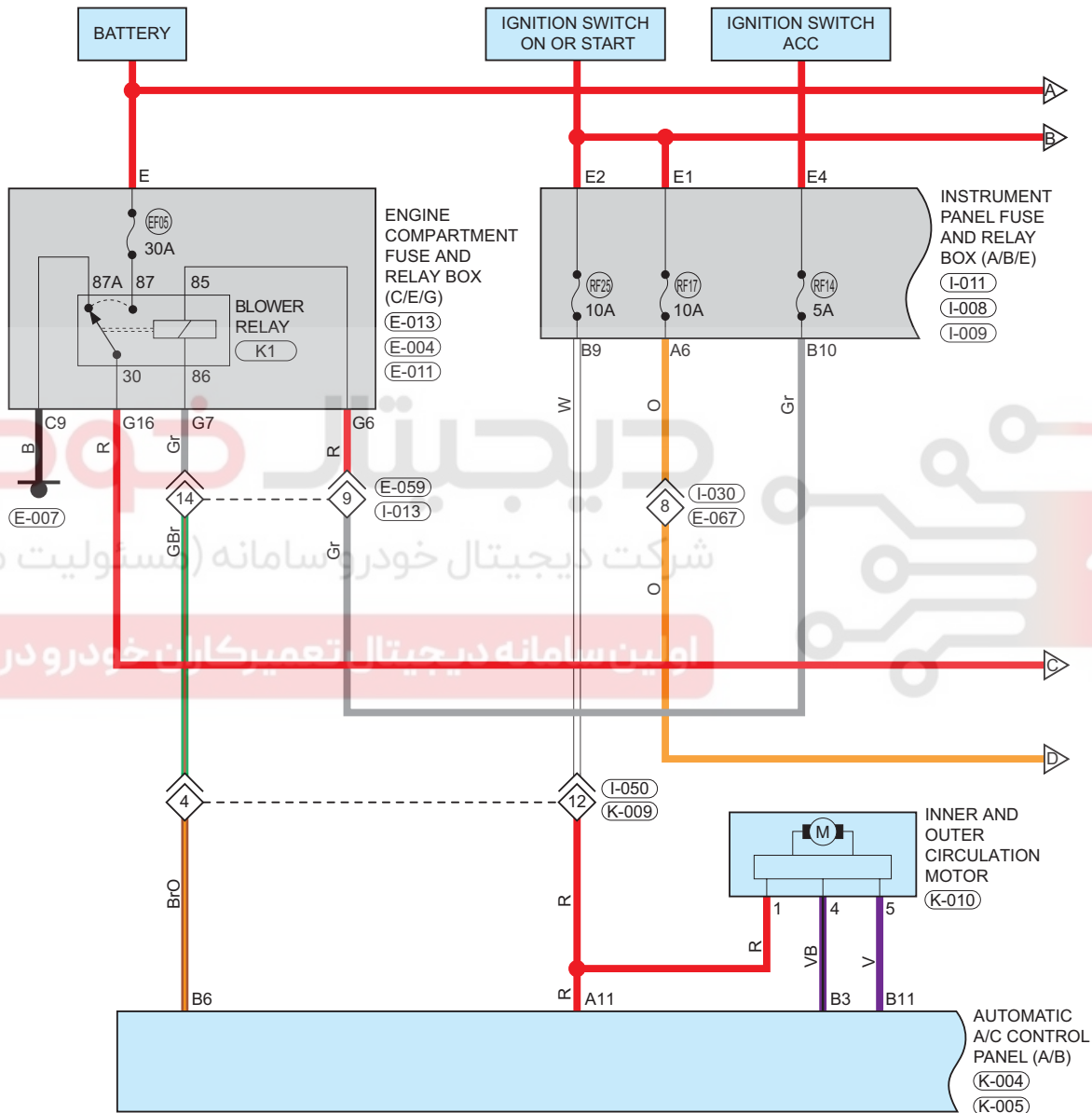


Automatic A/C System

Circuit Diagram (Page 1 of 4)



09

Parts Location

Connector Code	See Page	Connector Code	See Page	Connector Code	See Page
E-013	08-4 (MT)	E-004	08-4 (MT)	E-011	08-4 (MT)
	08-7 (CVT)		08-7 (CVT)		08-7 (CVT)
E-007	08-4 (MT)	I-008	08-12	I-009	08-12
	08-7 (CVT)				
I-011	08-12	K-010	08-27	K-004	08-27
K-005	08-27				

Fuse and Relay

Fuse/Relay	See Page	Fuse and Relay Box
RF14	06-12	Instrument Panel Fuse and Relay Box
RF17	06-12	Instrument Panel Fuse and Relay Box
RF25	06-12	Instrument Panel Fuse and Relay Box
EF05	06-5	Engine Compartment Fuse and Relay Box
Blower Relay	06-5	Engine Compartment Fuse and Relay Box

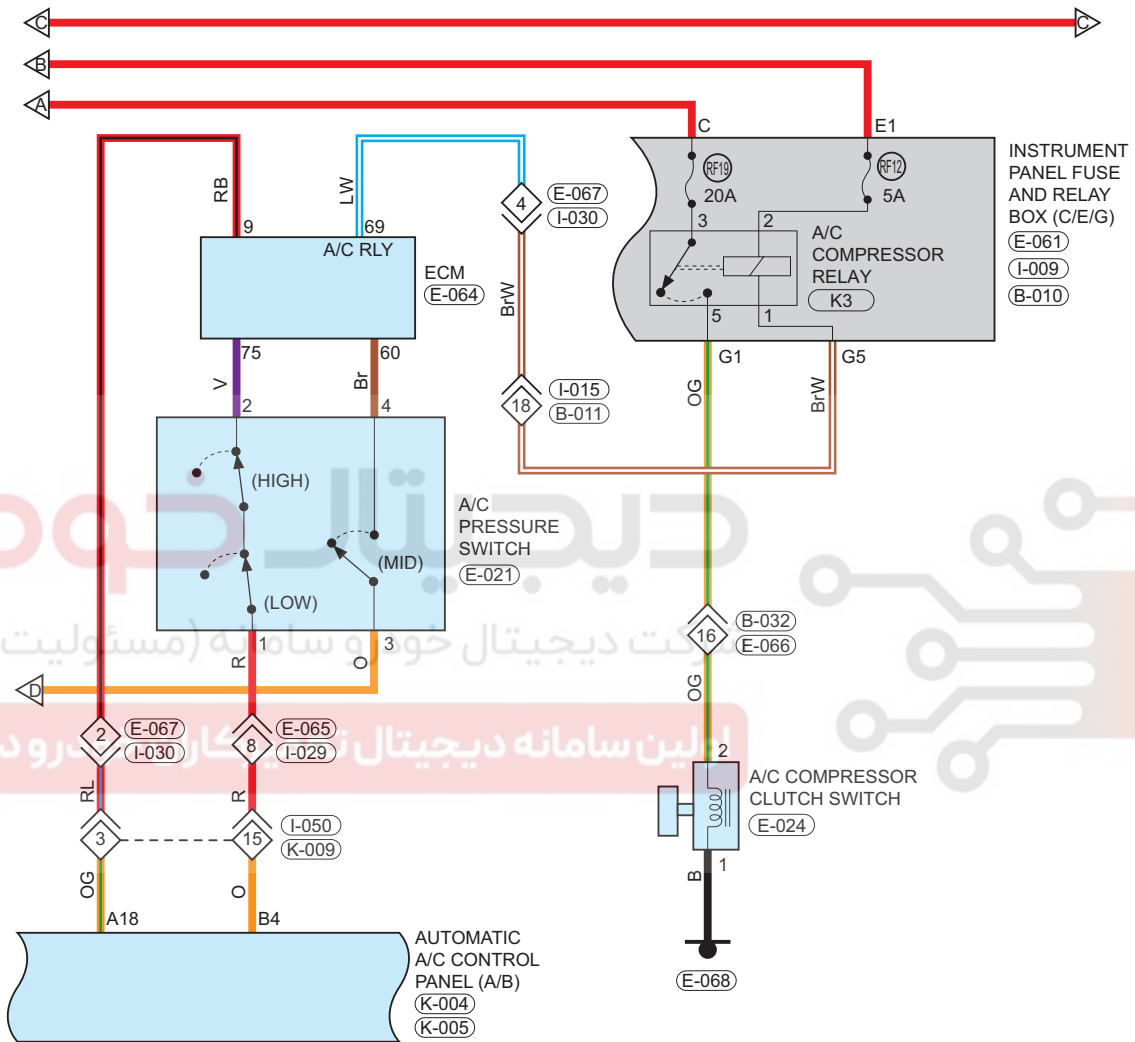
Location of Junction Connector

Connector Code	See Page	Connector Code	See Page	Connector Code	See Page
E-059, I-013	08-4, 08-12 (MT)	I-030, E-067	08-12, 08-4 (MT)	I-050, K-009	08-12, 08-27
	08-7, 08-12 (CVT)		08-12, 08-7 (CVT)		

Form of Connector

Connector Code	See Page	Connector Code	See Page	Connector Code	See Page
E-013	12-2	E-004	12-2	E-011	12-2
I-011	12-8	I-008	12-8	I-009	12-8
E-007	12-2	K-010	12-21	K-004	12-21
K-005	12-21	E-059, I-013	12-4	I-030, E-067	12-9
I-050, K-009	12-11				

Circuit Diagram (Page 2 of 4)



دیجیتال خودرو
تخصص دیجیتال خودروه (مسئولیت محدود)
این سامانه دیجیتال را کار خود در ایران

09

ET11090330

Parts Location

Connector Code	See Page	Connector Code	See Page	Connector Code	See Page
E-061	08-4 (MT)	E-024	08-4 (MT)	E-068	08-4 (MT)
	08-7 (CVT)		08-7 (CVT)		08-7 (CVT)
E-064	08-4 (MT)	E-021	08-4 (MT)	K-004	08-27
	08-7 (CVT)		08-7 (CVT)		
K-005	08-27	I-009	08-12	B-010	08-17

Fuse and Relay

Fuse/Relay	See Page	Fuse and Relay Box
RF12	06-12	Instrument Panel Fuse and Relay Box
RF19	06-12	Instrument Panel Fuse and Relay Box
A/C Compressor Relay	06-12	Instrument Panel Fuse and Relay Box

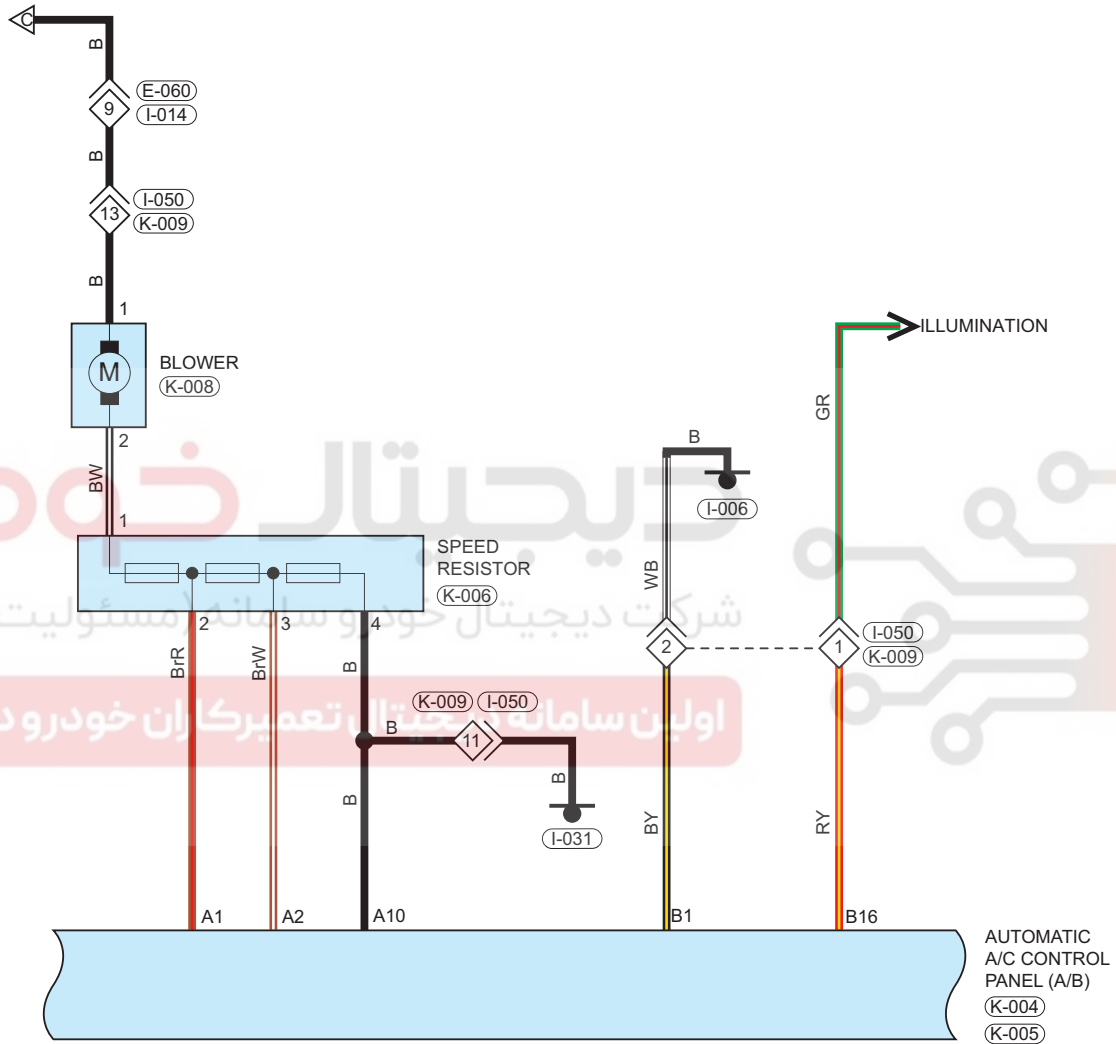
Location of Junction Connector

Connector Code	See Page	Connector Code	See Page	Connector Code	See Page
E-067, I-030	08-4, 08-12 (MT)	B-032, E-066	08-17, 08-4 (MT)	E-065, I-029	08-4, 08-12 (MT)
	08-7, 08-12 (CVT)		08-17, 08-7 (CVT)		08-7, 08-12 (CVT)
I-050, K-009	08-12, 08-27	I-015, B-011	08-12, 08-17		

Form of Connector

Connector Code	See Page	Connector Code	See Page	Connector Code	See Page
E-061	12-4	I-009	12-8	B-010	12-13
E-064	12-5	E-021	12-3	K-004	12-21
K-005	12-21	E-024	12-3	E-068	12-5
E-067, I-030	12-5	I-015, B-011	12-9	E-065, I-029	12-5
I-050, K-009	12-11	B-032, E-066	12-14		

Circuit Diagram (Page 3 of 4)



09

ET11090340

Parts Location

Connector Code	See Page	Connector Code	See Page	Connector Code	See Page
K-008	08-27	K-006	08-27	I-031	08-12
I-006	08-12	K-004	08-27	K-005	08-27

Location of Junction Connector

Connector Code	See Page	Connector Code	See Page	Connector Code	See Page
E-060, I-014	08-4, 08-12 (MT)	I-050, K-009	08-12, 08-27		
	08-7, 08-12 (CVT)				

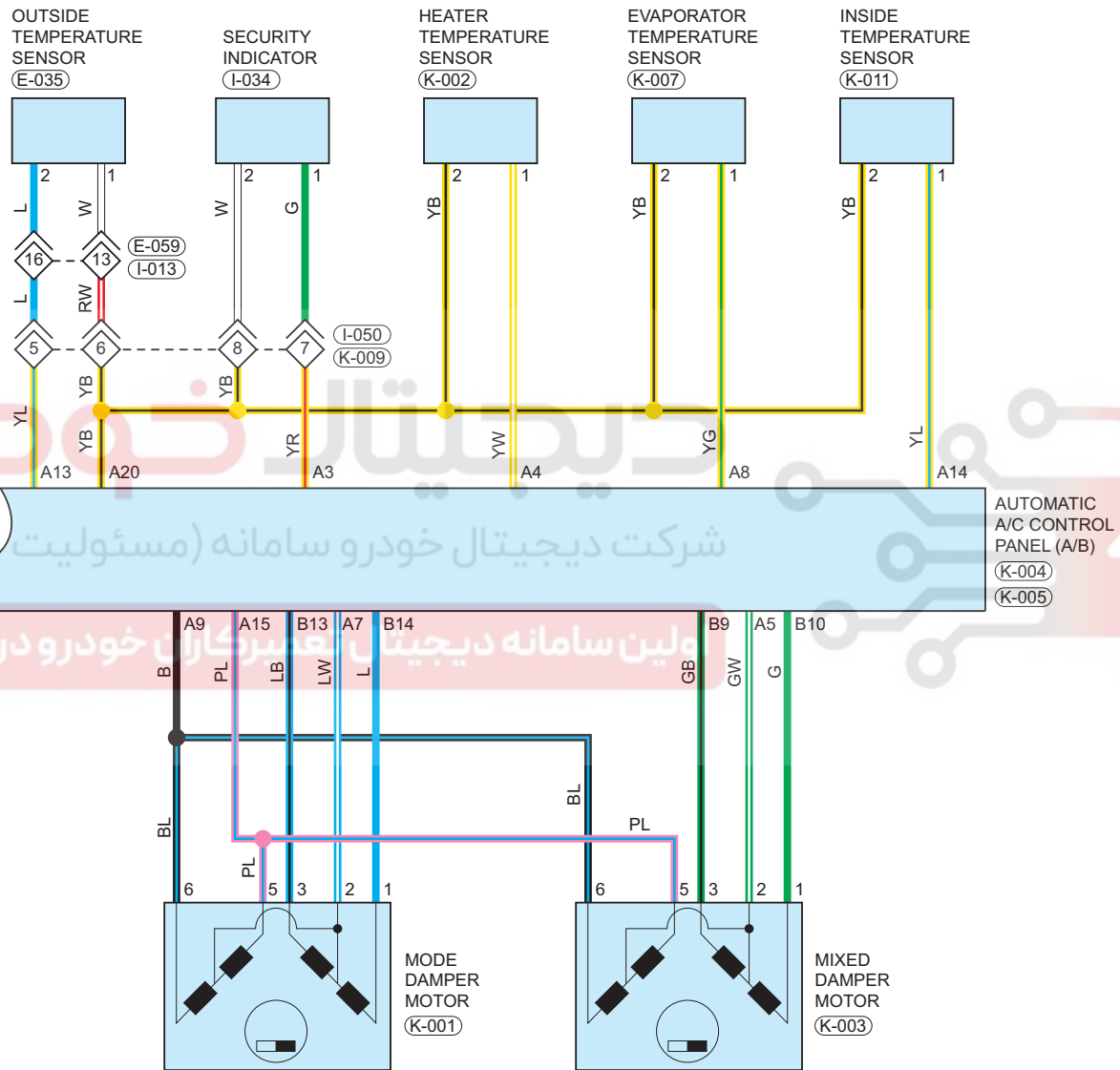
Form of Connector

Connector Code	See Page	Connector Code	See Page	Connector Code	See Page
K-008	12-21	K-006	12-21	I-031	12-10
I-006	12-8	K-004	12-21	K-005	12-21
E-060, I-014	12-4	I-050, K-009	12-11		

شرکت دیجیتال خودرو (مسئولیت محدود)

اولین سامانه دیجیتال تعمیرکاران خودرو در ایران

Circuit Diagram (Page 4 of 4)



ET11090350

Parts Location

Connector Code	See Page	Connector Code	See Page	Connector Code	See Page
E-035	08-4 (MT)	I-034	08-12	K-002	08-27
	08-7 (CVT)				
K-007	08-27	K-011	08-27	K-004	08-27
K-005	08-27	K-001	08-27	K-003	08-27

Location of Junction Connector

Connector Code	See Page	Connector Code	See Page	Connector Code	See Page
E-059, I-013	08-4, 08-12 (MT)	I-050, K-009	08-12, 08-27		
	08-7, 08-12 (CVT)				

Form of Connector

Connector Code	See Page	Connector Code	See Page	Connector Code	See Page
E-035	12-3	I-034	12-10	K-002	12-21
K-007	12-21	K-011	12-21	K-004	12-21
K-005	12-21	K-001	12-21	K-003	12-21
E-059, I-013	12-4	I-050, K-009	12-11		