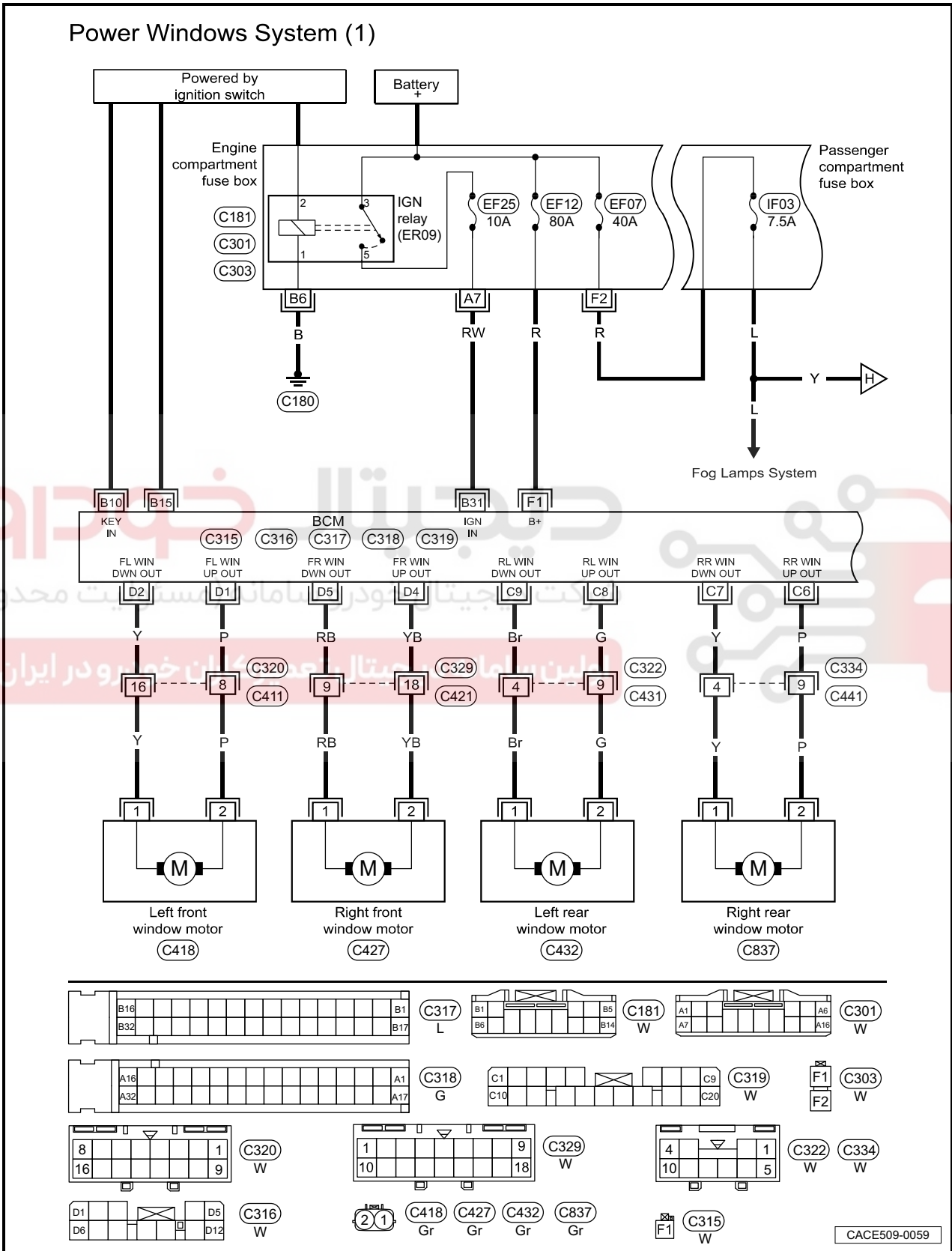


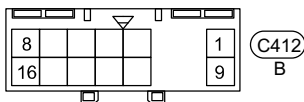
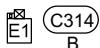
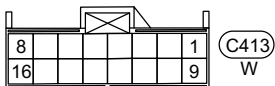
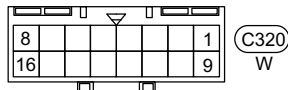
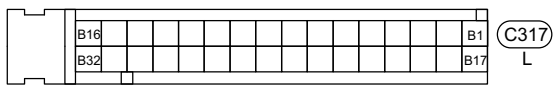
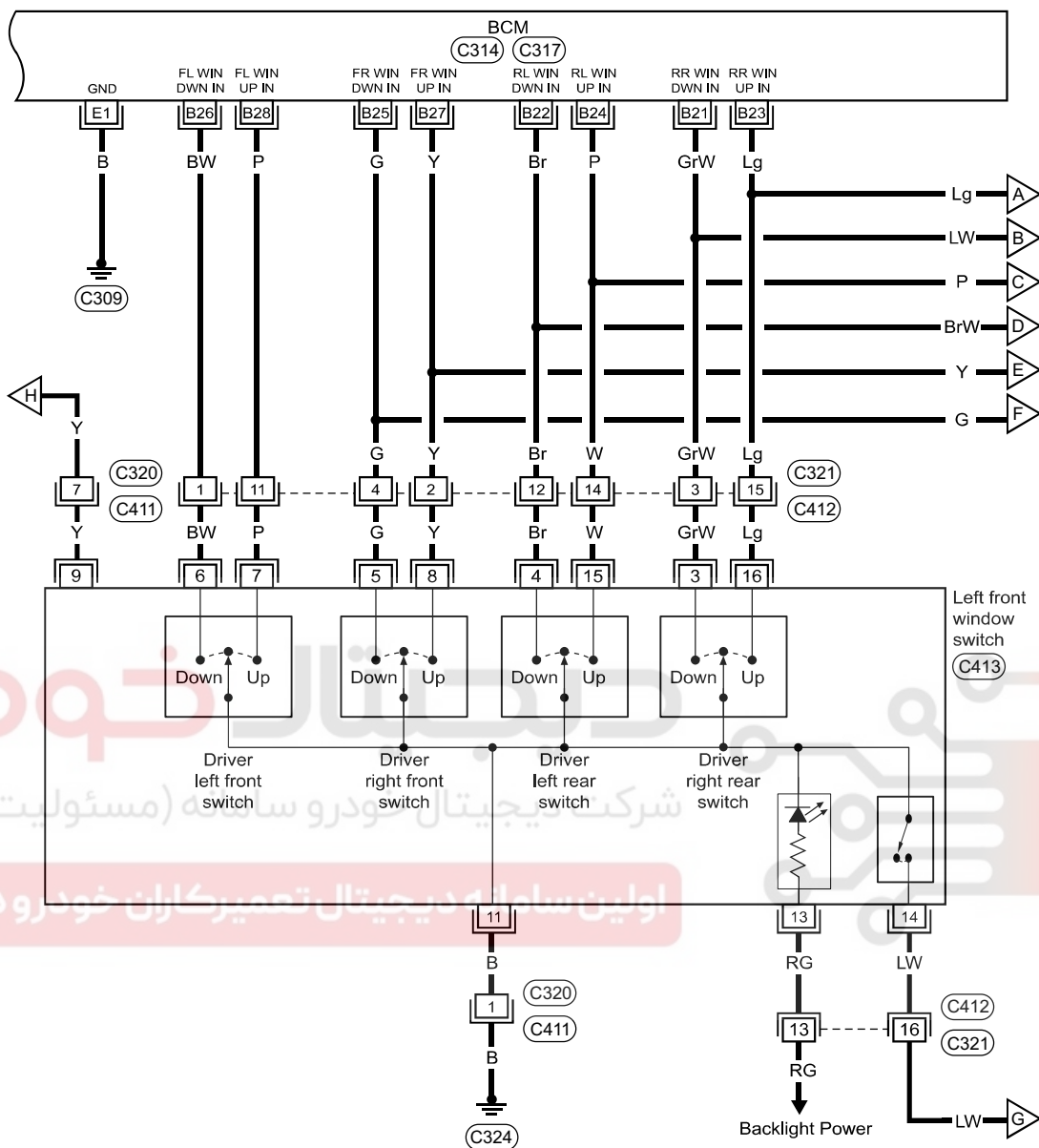
### 9.2 Diagnosis and Inspection

#### 9.2.1 System Circuit Diagram



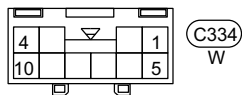
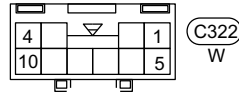
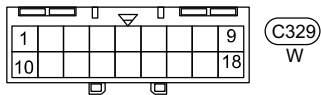
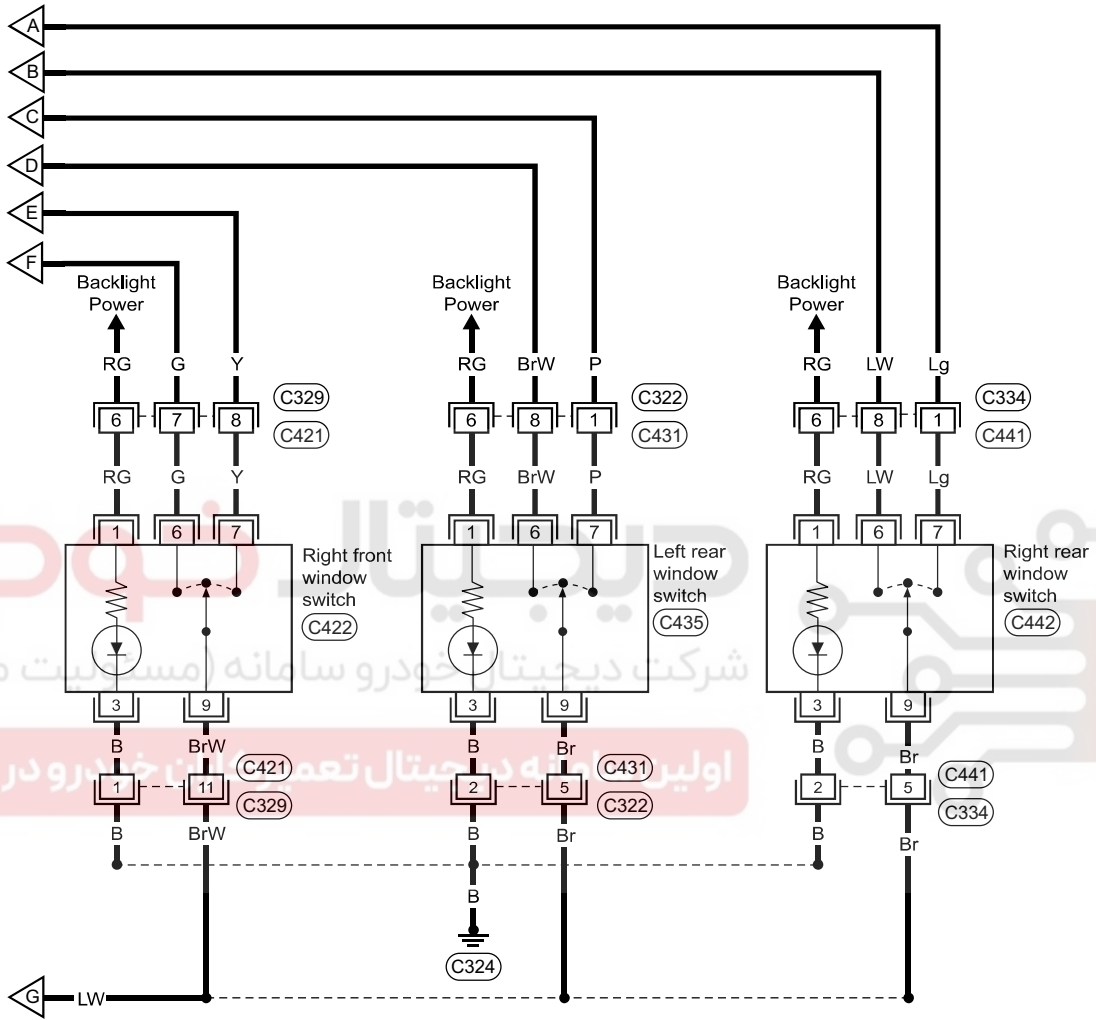
07 - Electrical Equipment

Power Windows System (2)



CACE509-0060

### Power Windows System (3)



CACE509-0061