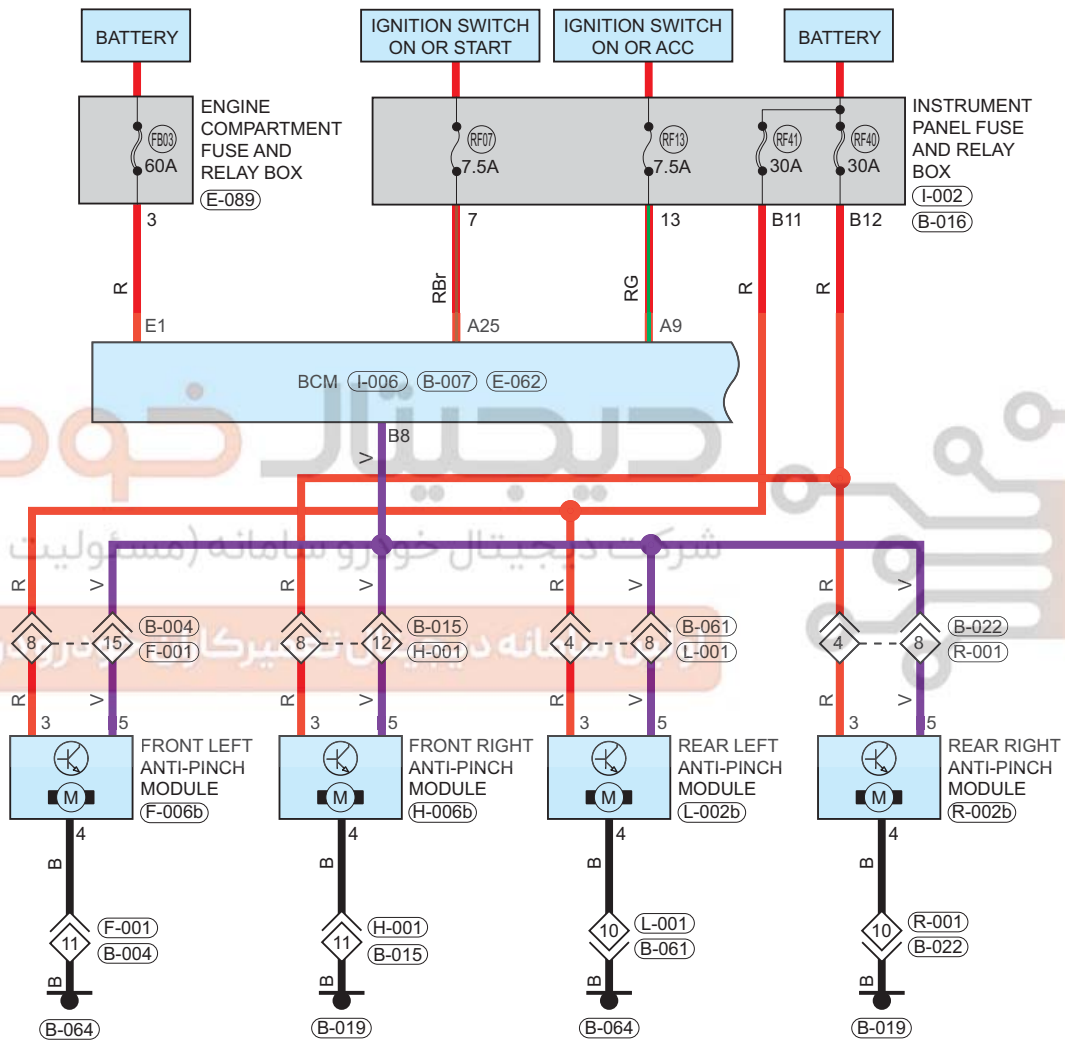


Windshield/Window Glass

Circuit Diagram (Page 1 of 7)

w/ ANTI-PINCH FUNCTION



09 - SYSTEM CIRCUITS

Parts Location

| Connector Code | See Page | Connector Code | See Page | Connector Code | See Page |
|----------------|----------|----------------|----------|----------------|----------|
| E-089 | 08-7 | I-002 | 08-13 | B-016 | 08-16 |
| I-006 | 08-13 | B-007 | 08-16 | E-062 | 08-7 |
| F-006b | 08-20 | H-006b | 08-21 | L-002b | 08-22 |
| R-002b | 08-23 | B-064 | 08-16 | B-019 | 08-16 |

Fuse and Relay

| Fuse/Relay | See Page | Fuse and Relay Box |
|------------|----------|---------------------------------------|
| FB03 | 06-2 | Power Fuse Box |
| RF07 | 06-13 | Instrument Panel Fuse and Relay Box A |
| RF13 | 06-13 | Instrument Panel Fuse and Relay Box A |
| RF41 | 06-18 | Instrument Panel Fuse and Relay Box B |
| RF40 | 06-18 | Instrument Panel Fuse and Relay Box B |

Location of Junction Connector

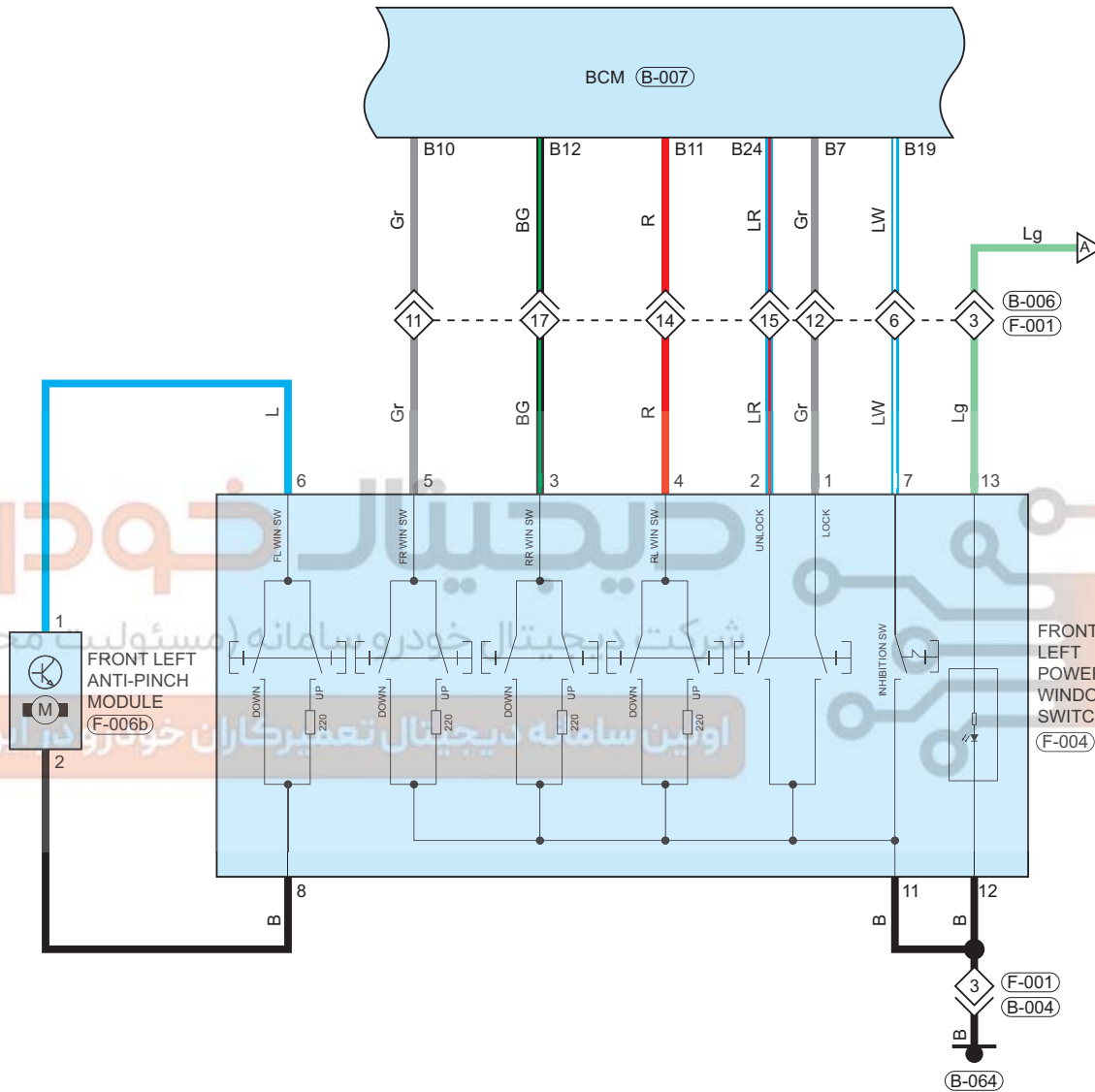
| Connector Code | See Page | Connector Code | See Page | Connector Code | See Page |
|----------------|--------------|----------------|--------------|----------------|--------------|
| B-004, F-001 | 08-16, 08-20 | B-015, H-001 | 08-16, 08-21 | B-061, L-001 | 08-16, 08-22 |
| B-022, R-001 | 08-16, 08-23 | | | | |

Form of Connector

| Connector Code | See Page | Connector Code | See Page | Connector Code | See Page |
|----------------|----------|----------------|----------|----------------|----------|
| E-089 | 12-5 | I-002 | 12-9 | B-016 | 12-12 |
| I-006 | 12-9 | B-007 | 12-11 | E-062 | 12-5 |
| F-006b | 12-17 | H-006b | 12-17 | L-002b | 12-18 |
| R-002b | 12-18 | B-064 | 12-14 | B-019 | 12-12 |
| B-004, F-001 | 12-11 | B-015, H-001 | 12-12 | B-061, L-001 | 12-14 |
| B-022, R-001 | 12-12 | | | | |

Circuit Diagram (Page 2 of 7)

w/ ANTI-PINCH FUNCTION



09 - SYSTEM CIRCUITS

Parts Location

| Connector Code | See Page | Connector Code | See Page | Connector Code | See Page |
|----------------|----------|----------------|----------|----------------|----------|
| B-007 | 08-16 | F-006b | 08-20 | F-004 | 08-20 |
| B-064 | 08-16 | | | | |

Location of Junction Connector

| Connector Code | See Page | Connector Code | See Page | Connector Code | See Page |
|----------------|--------------|----------------|--------------|----------------|----------|
| B-006, F-001 | 08-16, 08-20 | F-001, B-004 | 08-20, 08-16 | | |

Form of Connector

| Connector Code | See Page | Connector Code | See Page | Connector Code | See Page |
|----------------|----------|----------------|----------|----------------|----------|
| B-007 | 12-11 | F-006b | 12-17 | F-004 | 12-17 |
| B-064 | 12-14 | B-006, F-001 | 12-11 | F-001, B-004 | 12-17 |

دیجیتال خودرو

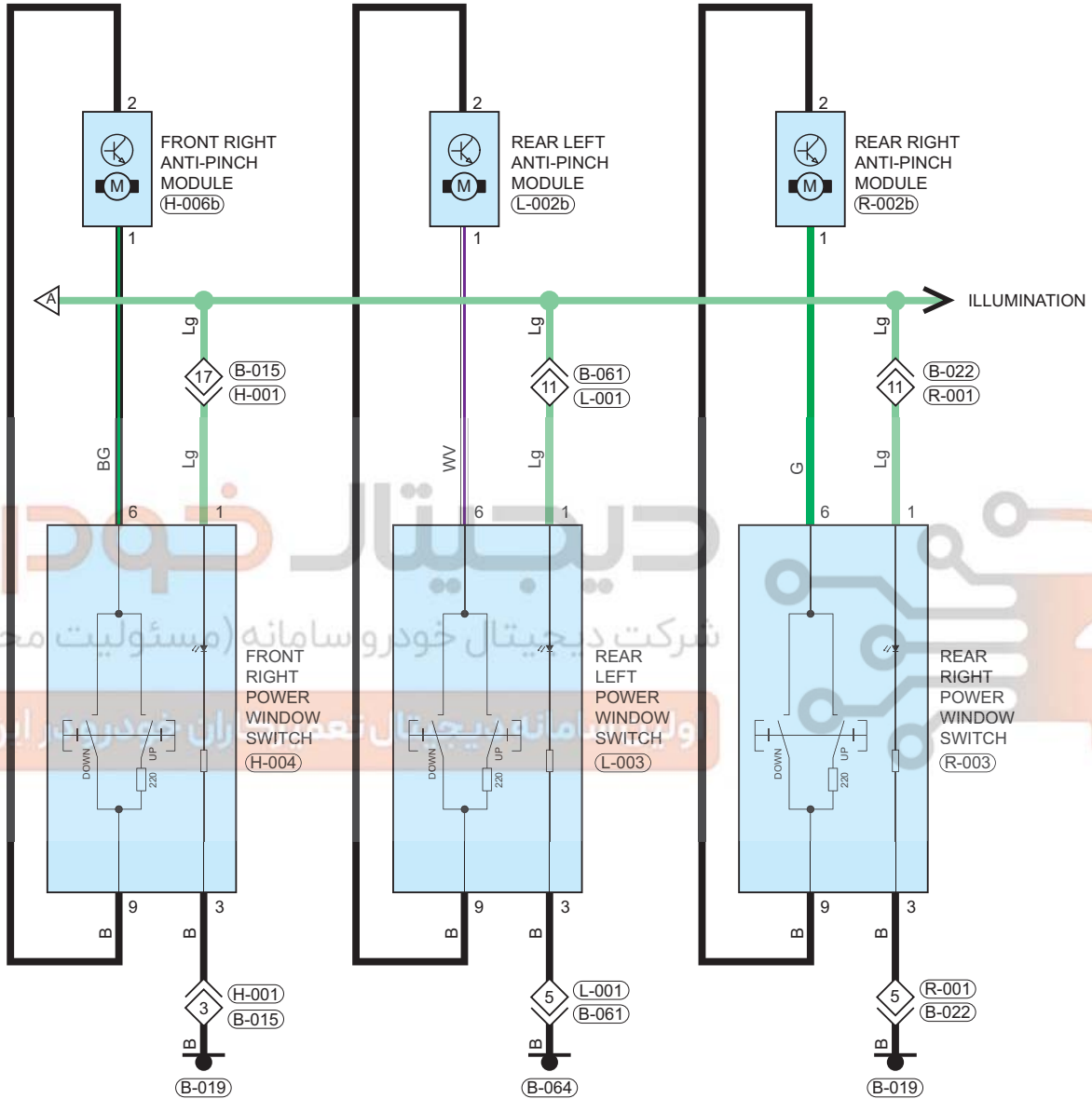
شرکت دیجیتال خودرو سامانه (مسئولیت محدود)

اولین سامانه دیجیتال تعمیرکاران خودرو در ایران



Circuit Diagram (Page 3 of 7)

w/ ANTI-PINCH FUNCTION



09 - SYSTEM CIRCUITS

Parts Location

| Connector Code | See Page | Connector Code | See Page | Connector Code | See Page |
|----------------|----------|----------------|----------|----------------|----------|
| H-006b | 08-21 | L-002b | 08-22 | R-002b | 08-23 |
| H-004 | 08-21 | B-019 | 08-16 | L-003 | 08-22 |
| B-064 | 08-16 | R-003 | 08-23 | | |

Location of Junction Connector

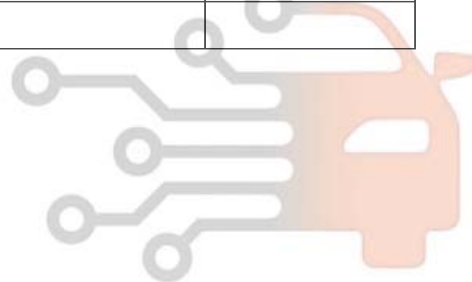
| Connector Code | See Page | Connector Code | See Page | Connector Code | See Page |
|----------------|--------------|----------------|--------------|----------------|--------------|
| B-015, H-001 | 08-16, 08-21 | B-061, L-001 | 08-16, 08-22 | B-022, R-001 | 08-16, 08-23 |

Form of Connector

| Connector Code | See Page | Connector Code | See Page | Connector Code | See Page |
|----------------|----------|----------------|----------|----------------|----------|
| H-006b | 12-17 | L-002b | 12-18 | R-002b | 12-18 |
| H-004 | 12-17 | B-019 | 12-12 | L-003 | 12-18 |
| B-064 | 12-14 | R-003 | 12-18 | B-022, R-001 | 12-12 |
| B-015, H-001 | 12-12 | B-061, L-001 | 12-14 | | |

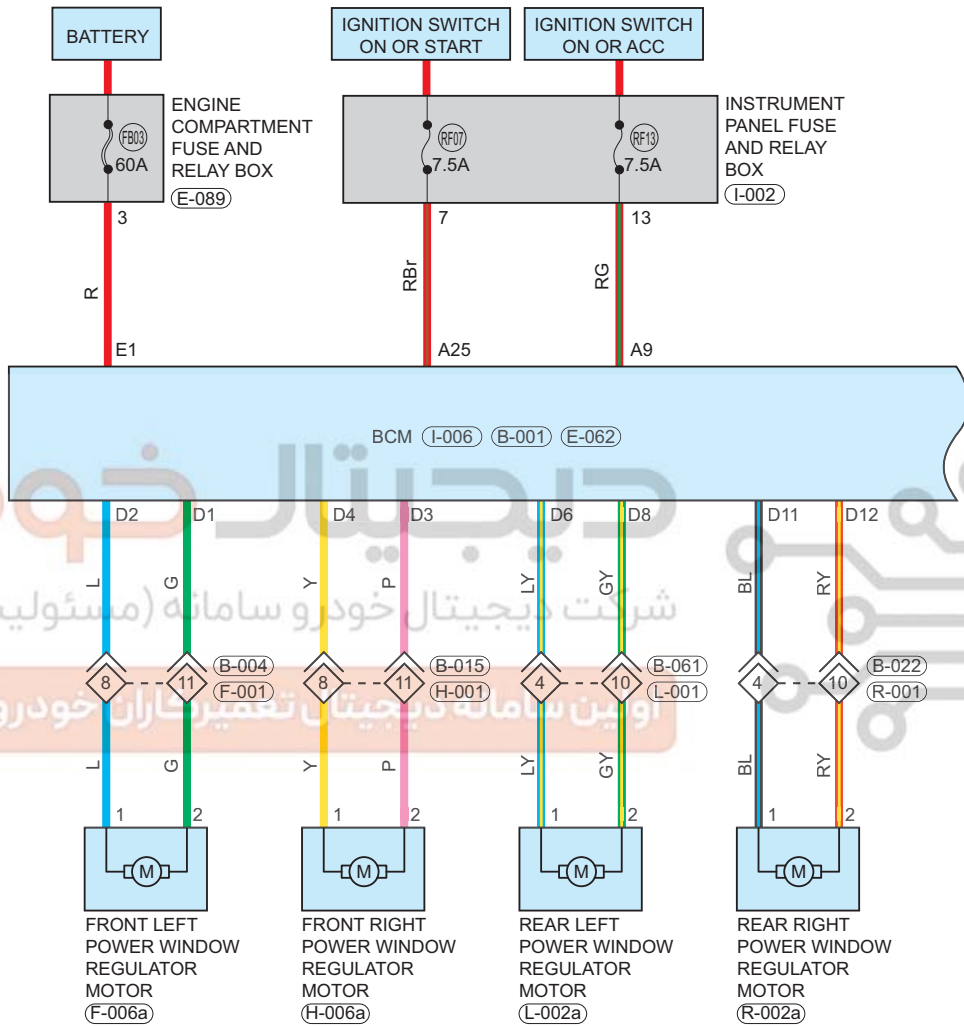
شرکت دیجیتال خودرو (مسئولیت محدود)

اولین سامانه دیجیتال تعمیرکاران خودرو در ایران



Circuit Diagram (Page 4 of 7)

w/o ANTI-PINCH FUNCTION



09 - SYSTEM CIRCUITS

Parts Location

| Connector Code | See Page | Connector Code | See Page | Connector Code | See Page |
|----------------|----------|----------------|----------|----------------|----------|
| E-089 | 08-7 | I-002 | 08-13 | I-006 | 08-13 |
| B-001 | 08-16 | E-062 | 08-7 | F-006a | 08-20 |
| H-006a | 08-21 | L-002a | 08-22 | R-002a | 08-23 |

Fuse and Relay

| Fuse/Relay | See Page | Fuse and Relay Box |
|------------|----------|---------------------------------------|
| FB03 | 06-2 | Power Fuse Box |
| RF07 | 06-13 | Instrument Panel Fuse and Relay Box A |
| RF13 | 06-13 | Instrument Panel Fuse and Relay Box A |

Location of Junction Connector

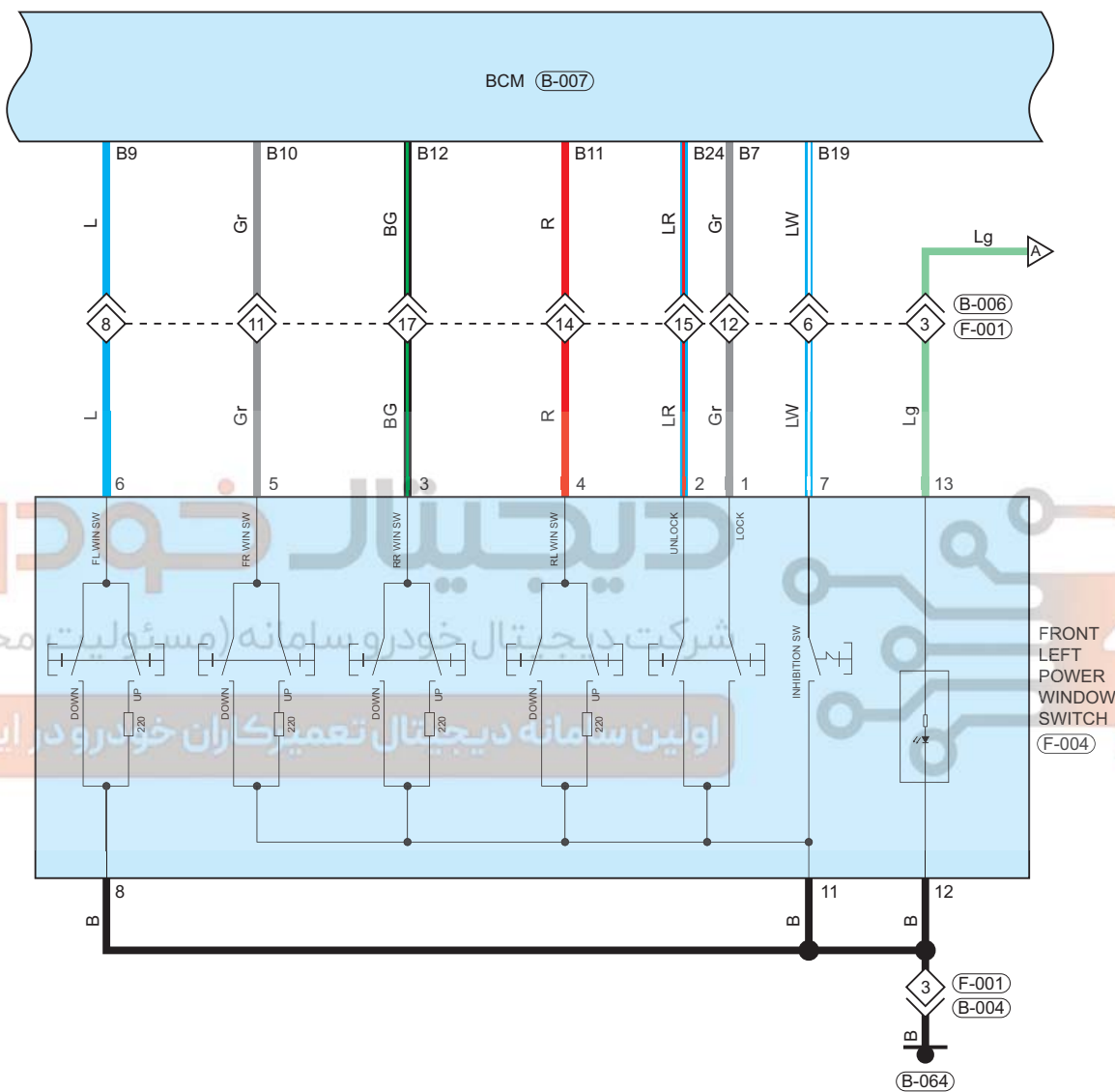
| Connector Code | See Page | Connector Code | See Page | Connector Code | See Page |
|----------------|--------------|----------------|--------------|----------------|--------------|
| B-004, F-001 | 08-16, 08-20 | B-015, H-001 | 08-16, 08-21 | B-022, R-001 | 08-16, 08-23 |
| B-061, L-001 | 08-16, 08-22 | | | | |

Form of Connector

| Connector Code | See Page | Connector Code | See Page | Connector Code | See Page |
|----------------|----------|----------------|----------|----------------|----------|
| E-089 | 12-5 | I-002 | 12-9 | I-006 | 12-9 |
| B-001 | 12-11 | E-062 | 12-5 | F-006a | 12-17 |
| H-006a | 12-17 | L-002a | 12-18 | R-002a | 12-18 |
| B-004, F-001 | 12-11 | B-015, H-001 | 12-12 | B-022, R-001 | 12-12 |
| B-061, L-001 | 12-14 | | | | |

Circuit Diagram (Page 5 of 7)

w/o ANTI-PINCH FUNCTION



09 - SYSTEM CIRCUITS

Parts Location

| Connector Code | See Page | Connector Code | See Page | Connector Code | See Page |
|----------------|----------|----------------|----------|----------------|----------|
| B-007 | 08-16 | F-004 | 08-20 | B-064 | 08-16 |

Location of Junction Connector

| Connector Code | See Page | Connector Code | See Page | Connector Code | See Page |
|----------------|--------------|----------------|--------------|----------------|----------|
| B-006, F-001 | 08-16, 08-20 | F-001, B-004 | 08-20, 08-16 | | |

Form of Connector

| Connector Code | See Page | Connector Code | See Page | Connector Code | See Page |
|----------------|----------|----------------|----------|----------------|----------|
| B-007 | 12-11 | F-004 | 12-17 | B-064 | 12-14 |
| B-006, F-001 | 12-11 | F-001, B-004 | 12-17 | | |

دیجیتال خودرو

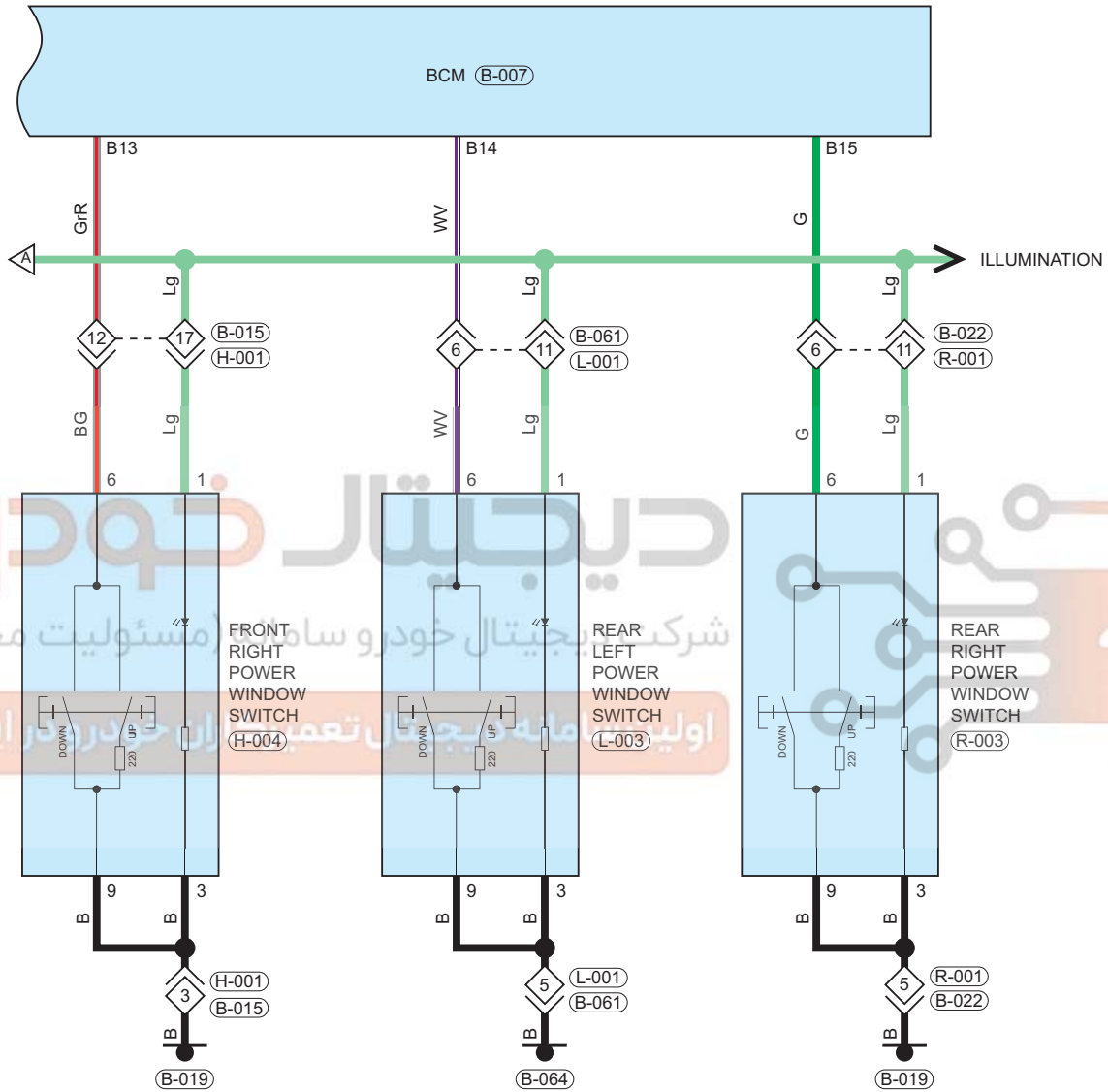
شرکت دیجیتال خودرو سامانه (مسئولیت محدود)

اولین سامانه دیجیتال تعمیرکاران خودرو در ایران



Circuit Diagram (Page 6 of 7)

w/o ANTI-PINCH FUNCTION



Parts Location

| Connector Code | See Page | Connector Code | See Page | Connector Code | See Page |
|----------------|----------|----------------|----------|----------------|----------|
| B-007 | 08-16 | H-004 | 08-21 | B-019 | 08-16 |
| L-003 | 08-22 | B-064 | 08-16 | R-003 | 08-23 |

Location of Junction Connector

| Connector Code | See Page | Connector Code | See Page | Connector Code | See Page |
|----------------|--------------|----------------|--------------|----------------|--------------|
| B-015, H-001 | 08-16, 08-21 | B-061, L-001 | 08-16, 08-22 | B-022, R-001 | 08-16, 08-23 |

Form of Connector

| Connector Code | See Page | Connector Code | See Page | Connector Code | See Page |
|----------------|----------|----------------|----------|----------------|----------|
| B-007 | 12-11 | H-004 | 12-17 | B-019 | 12-12 |
| L-003 | 12-18 | B-064 | 12-14 | R-003 | 12-18 |
| B-022, R-001 | 12-12 | B-015, H-001 | 12-12 | B-061, L-001 | 12-14 |

دیجیتال خودرو

شرکت دیجیتال خودرو سامانه (مسئولیت محدود)

اولین سامانه دیجیتال تعمیرکاران خودرو در ایران



Circuit Diagram (Page 7 of 7)

