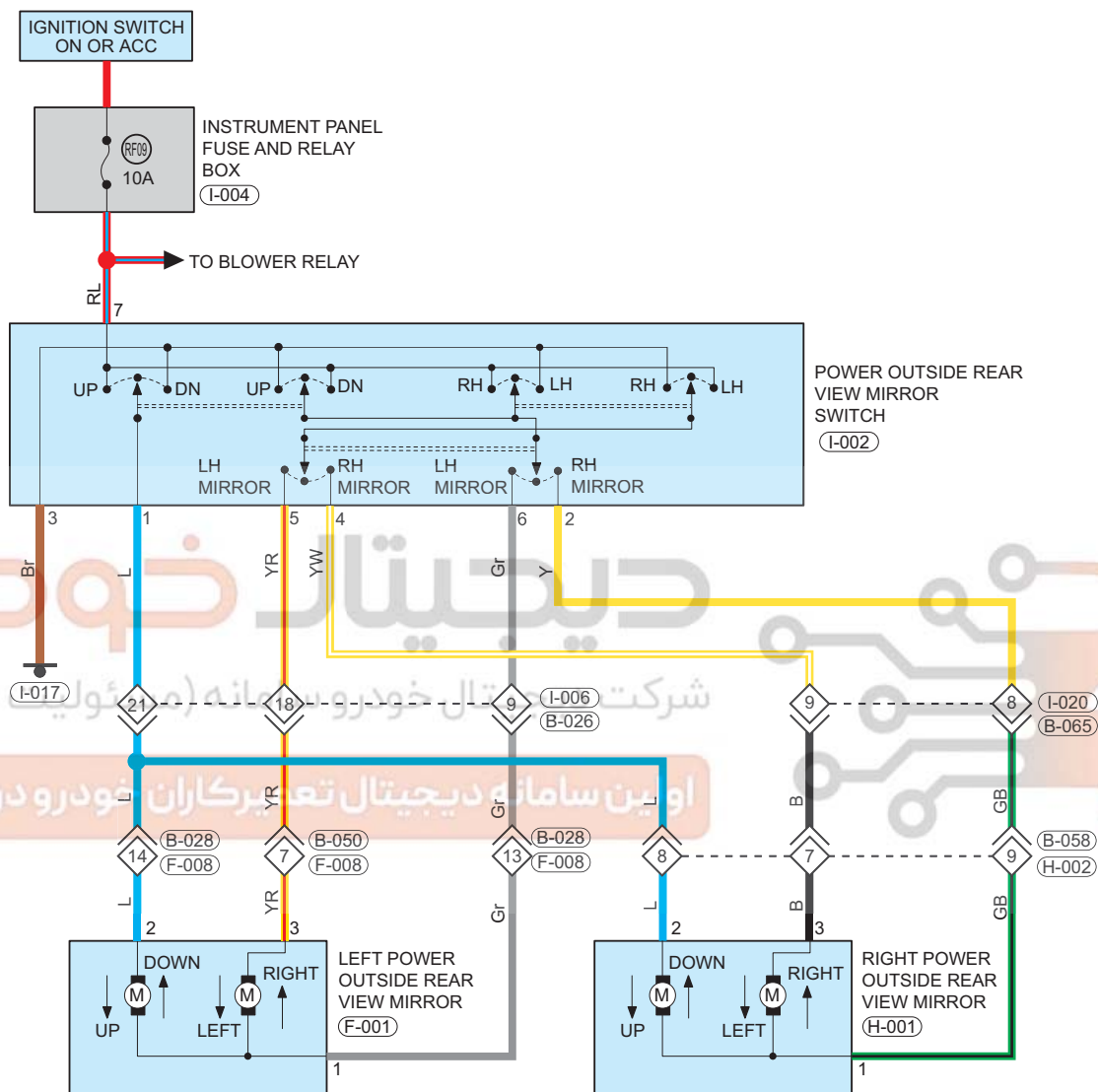


Rear View Mirror

Circuit Diagram (Page 1 of 2)



EM1A090660

Parts Location

Connector Code	See Page	Connector Code	See Page	Connector Code	See Page
I-004	08-8	F-001	08-17	I-002	08-8
H-001	08-18				

Fuse and Relay

Fuse/Relay	See Page	Fuse and Relay Box
RF09	06-13	Instrument Panel Fuse and Relay Box

Location of Junction Connector

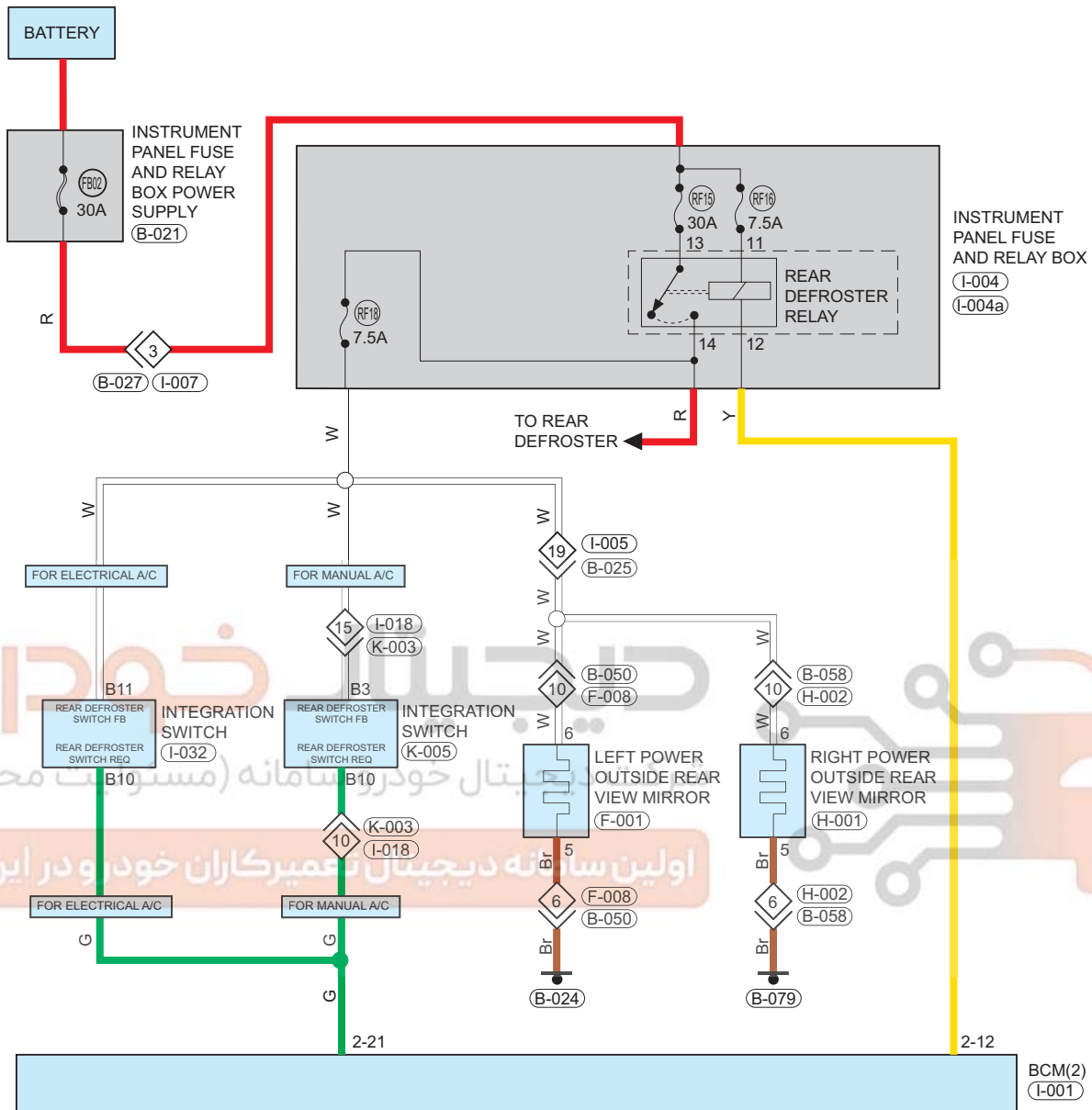
Connector Code	See Page	Connector Code	See Page	Connector Code	See Page
B-026, I-006	08-11, 08-8	B-028, F-008	08-11, 08-17	B-050, F-008	08-11, 08-17
B-058, H-002	08-11, 08-18	B-065, I-020	08-11, 08-8		

Form of Connector

Connector Code	See Page	Connector Code	See Page	Connector Code	See Page
I-004	12-4	I-002	12-4	F-001	12-10
H-001	12-10	B-026, I-006	12-7, 12-4	B-028, F-008	12-7, 12-10
B-050, F-008	12-8, 12-10	B-058, H-002	12-8, 12-10	B-065, I-020	12-9, 12-5

اولین سامانه دیجیتال تعمیرکاران خودرو در ایران

Circuit Diagram (Page 2 of 2)



09

EM1A090670