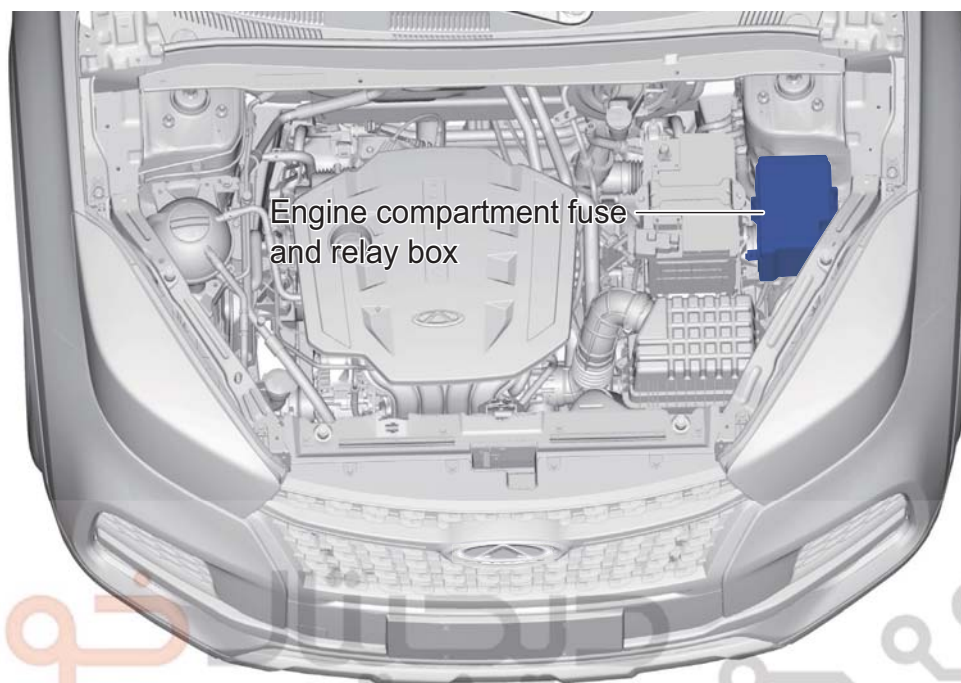


## Engine Compartment Fuse and Relay Box

### Location of Engine Compartment Fuse and Relay Box



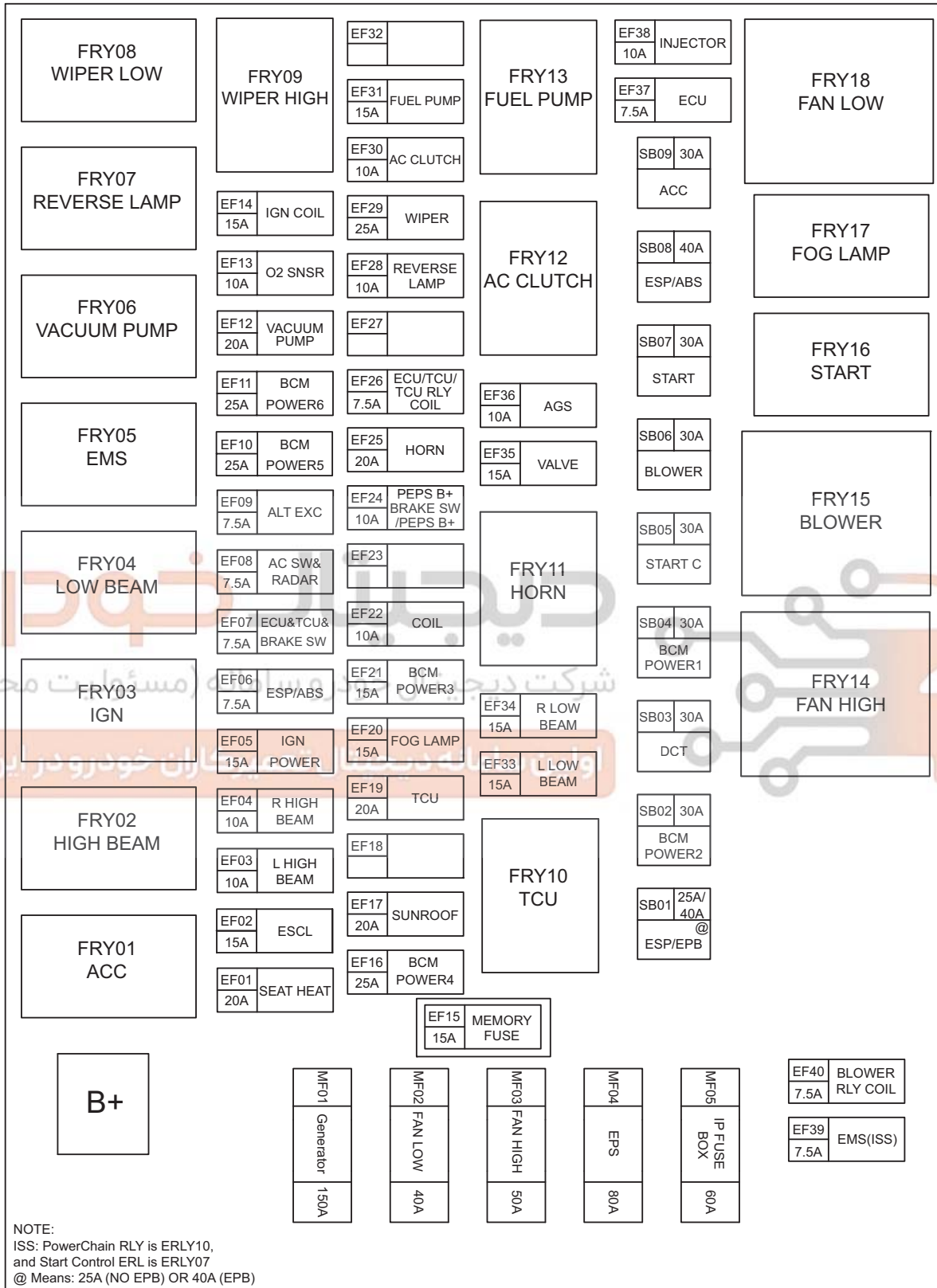
06

شرکت دیجیتال خودرو (مسئولیت محدود)

اولین سامانه دیجیتال تعمیرکاران خودرو در ایران



Fuse and Relay Layout in Engine Compartment Fuse and Relay Box



NOTE:  
ISS: PowerChain RLY is ERLY10,  
and Start Control ERL is ERLY07  
@ Means: 25A (NO EPB) OR 40A (EPB)

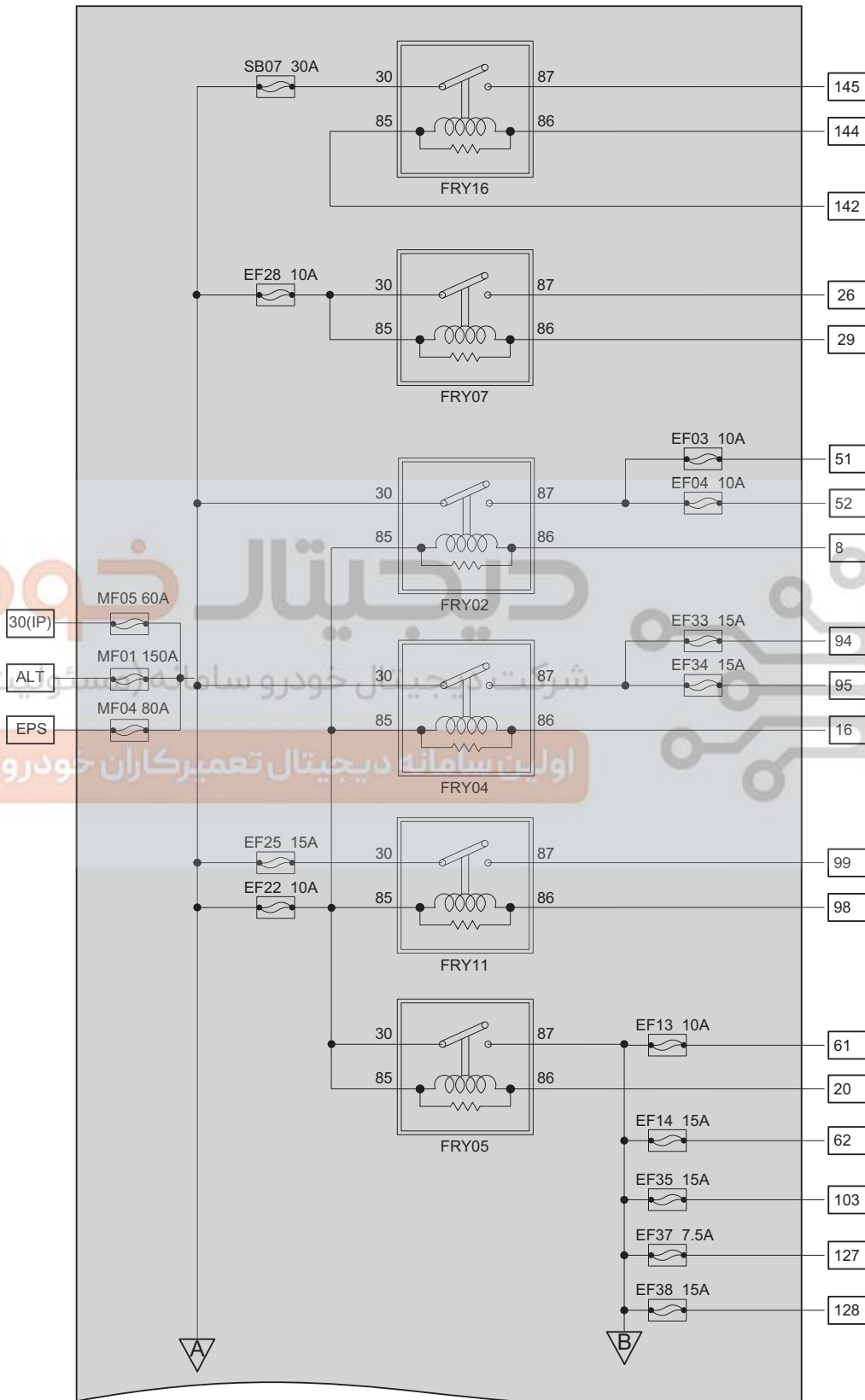
EWD021001

## Engine Compartment Fuse Description

No.	Description	No.	Description
SB01	ESP/EPB	EF19	-
SB02	BCM2	EF20	ERLY17 front fog RLY
SB03	DCT	EF21	BCM3
SB04	BCM1	EF22	ERLY11 horn RLY & ERLY04 Low beam RLY & ERLY02 High beam RLY & ERLY05 EMS RLY
SB05	Start control	EF23	-
SB06	ERLY15 blower RLY	EF24	Brake switch
SB07	ERLY16 start RLY	EF25	ERLY11 horn RLY
SB08	ESP/EPB	EF26	ECU & TCU
SB09	ACC	EF27	-
EF01	Seat heater	EF28	ERLY07 reverse lamp RLY
EF02	ESCL	EF29	ERLY08 wiper low RLY & ERLY09 wiper high RLY
EF03	L Hight beam power	EF30	ERLY12 AC clutch RLY
EF04	R Hight beam power	EF31	ERLY13 fuel pump RLY
EF05	IGN1	EF32	-
EF06	ESP/EPB	EF33	L Low beam power
EF07	ECU & brake SW & reverse sensor	EF34	R Low beam power
EF08	Compressor Pipe Press Switch & Reverse Radar Module	EF35	Electric thermostat & VVT controlvalve & EGR valve & Canister valve
EF09	Generator excitation	EF36	-
EF10	BCM5	EF37	ECU
EF11	BCM6	EF38	Injector Cyl1.2.3.4
EF12	ERLY16 vacuum pump RLY	EF39	-
EF13	Ambda sensor heating upstream & lambda sensor heating downstream	EF40	ERLY15 Blower RLY
EF14	Ignition coil	MF01	Generator
EF15	Memory Fuse	MF02	FAN LOW
EF16	BCM4	MF03	FAN HIGH
EF17	Sunroof	MF04	EPS
EF18	-	MF05	IP FUSE BOX

# Engine Compartment Fuse and Relay Box Inner Circuit

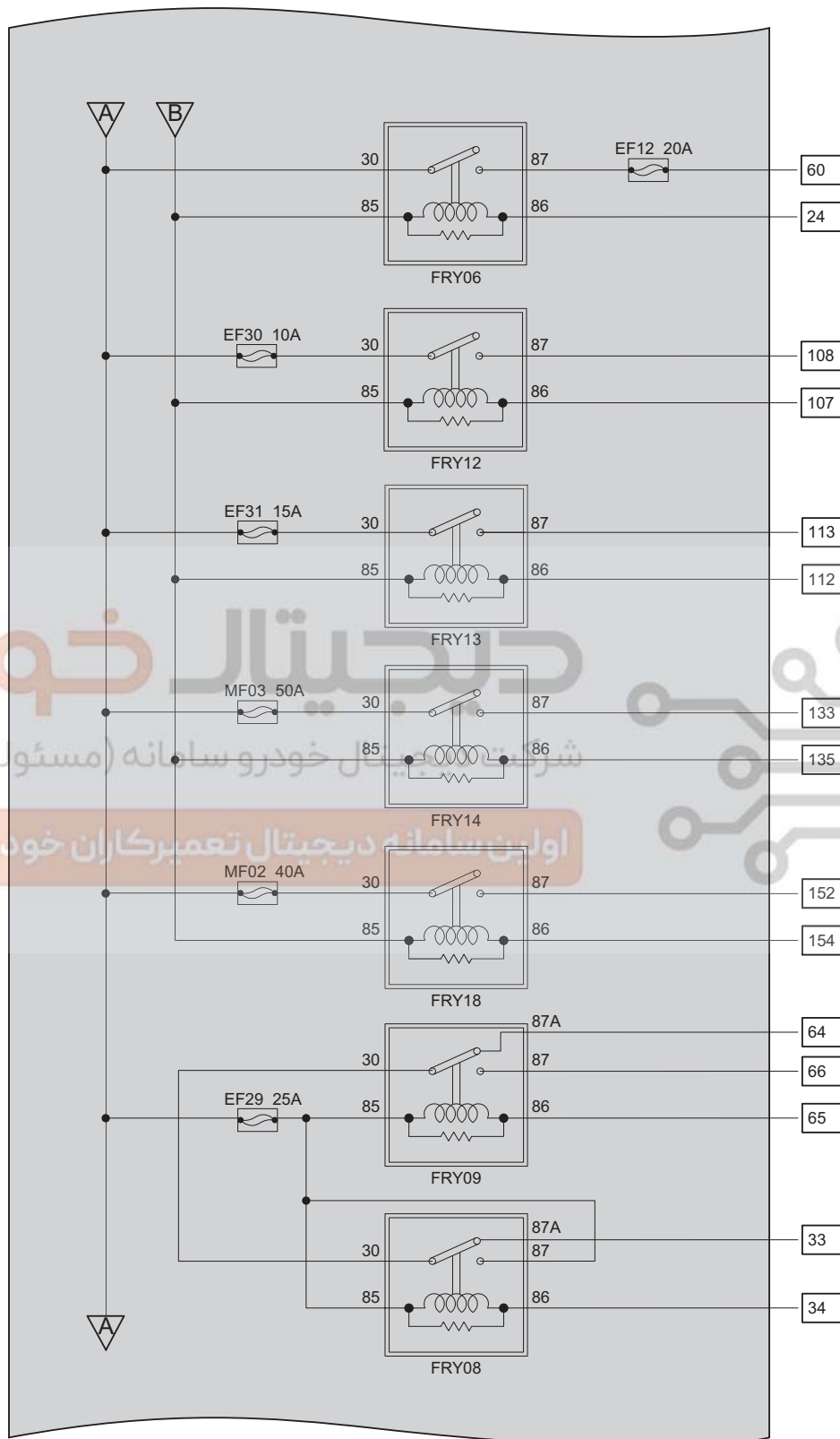
Circuit Diagram (Page 1 of 3)



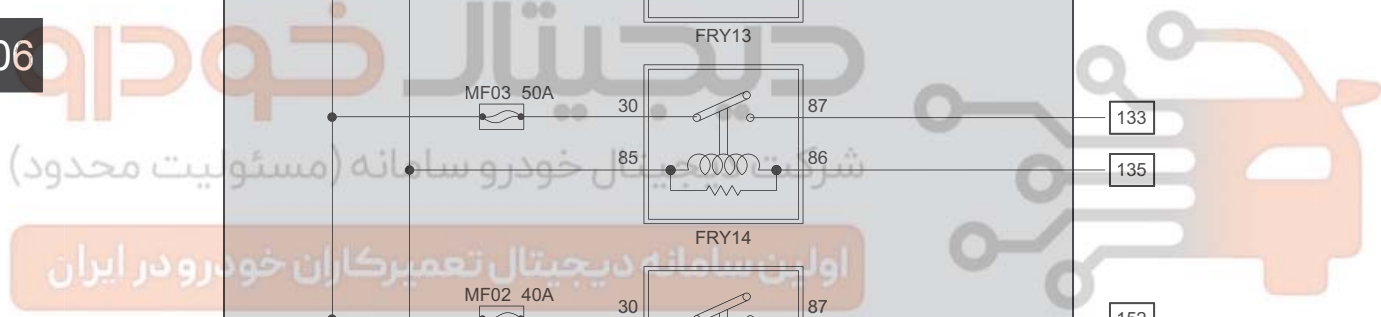
06

EWD022001

Circuit Diagram (Page 2 of 3)

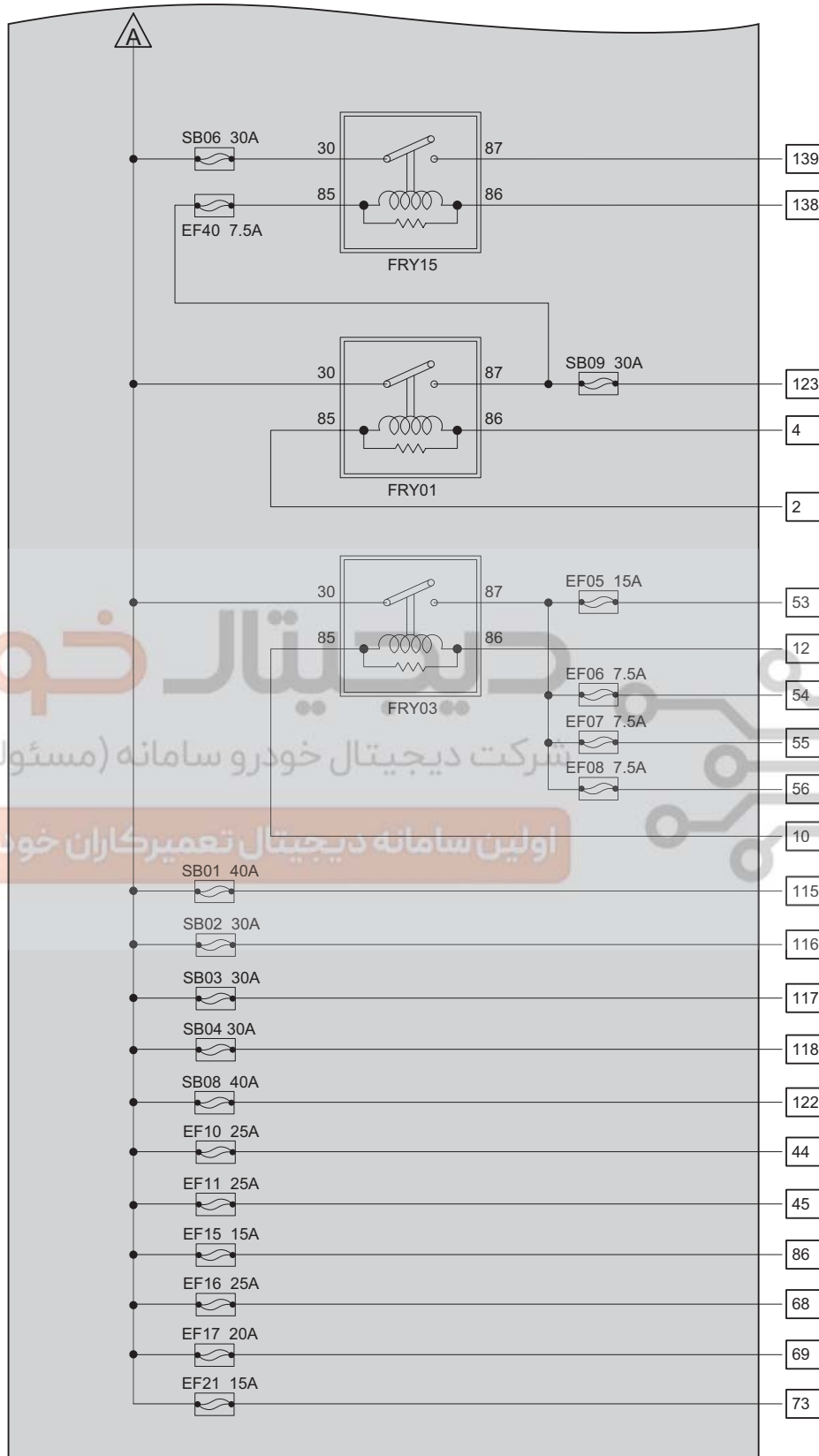


06



EWD023001

Circuit Diagram (Page 3 of 3)



06

دیجیتال خودرو  
شرکت دیجیتال خودرو سامانه (مسئولیت محدود)  
اولین سامانه دیجیتال تعمیرکاران خودرو در ایران

EW024001