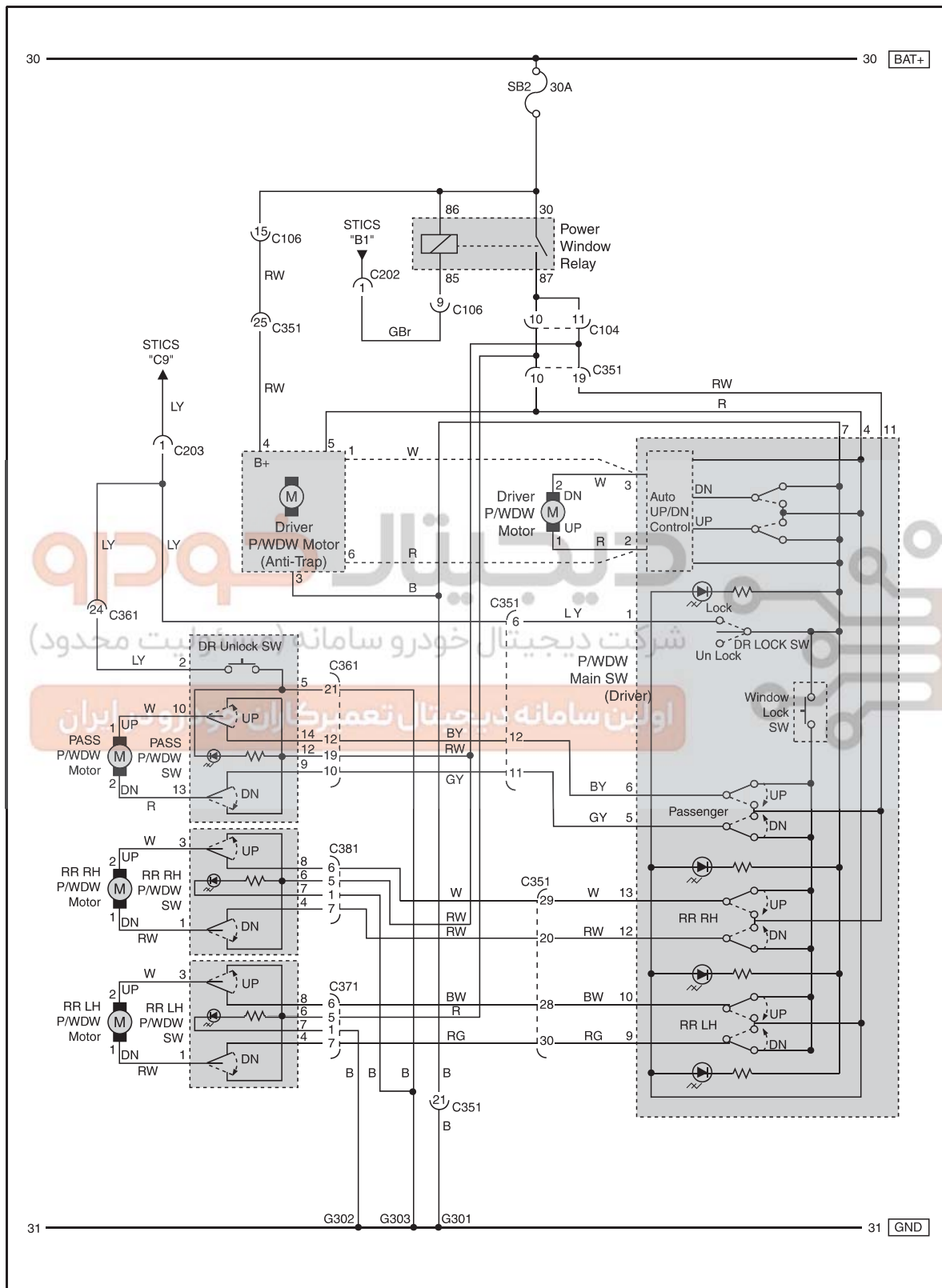


8510-00 POWER WINDOW CIRCUIT



CIRCUIT

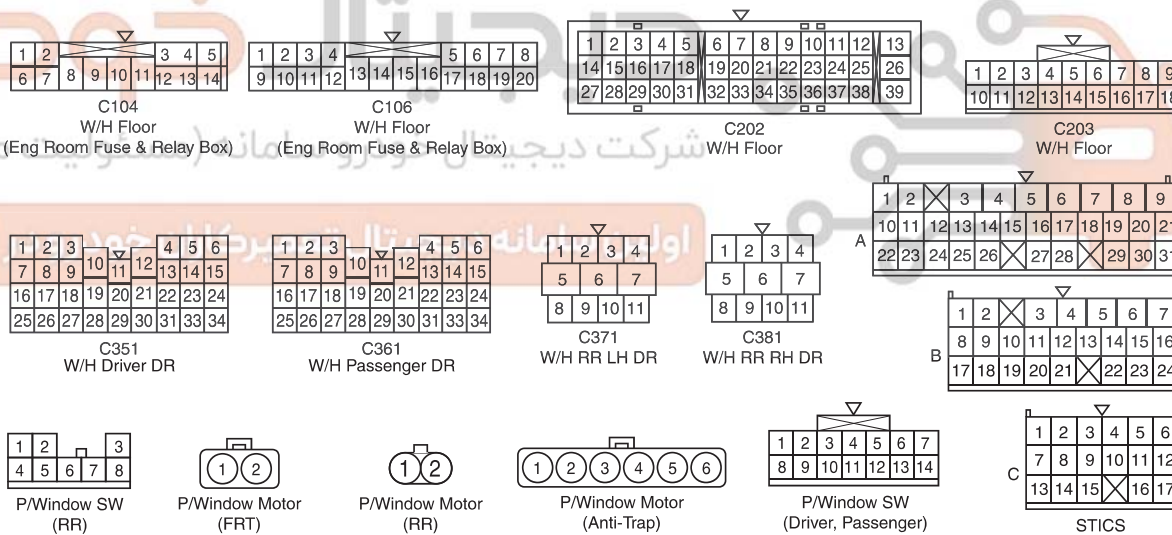
ACTYON 2010.01

Modification basis	
Application basis	
Affected VIN	

(1) CONNECTOR INFORMATION

Connector Number (Pin Number, Color)	Connecting Wiring Harness	Connector Position	Remark
C104 (14Pin, White)	W/H Floor - Eng Room Fuse & Relay Box	Eng Room Fuse & Relay Box	
C106 (20Pin, White)	W/H Floor - Eng Room Fuse & Relay Box	Eng Room Fuse & Relay Box	
C202 (39Pin, Black)	W/H Main - W/H Floor	Driver Cowl Side C/Holder	
C203 (18Pin, White)	W/H Main - W/H Floor	Driver Cowl Side C/Holder	
C351 (33Pin, White)	W/H Floor - W/H Driver DR	Under the LH "A" PLR	
C361 (33Pin, White)	W/H Floor - W/H Passenger DR	Under the RH "A" PLR	
C371 (11Pin, White)	W/H Floor - W/H RR LH DR	Under the LH "B" PLR	
C381 (11Pin, White)	W/H Floor - W/H RR RH DR	Under the RH "B" PLR	
G301	W/H Floor	Under the Driver Seat	
G302	W/H Floor	Under the Passenger Seat	
G303	W/H Floor	Under the Passenger Seat	

(2) CONNECTOR IDENTIFICATION SYMBOL & PIN NUMBER POSITION



Modification basis	
Application basis	
Affected VIN	