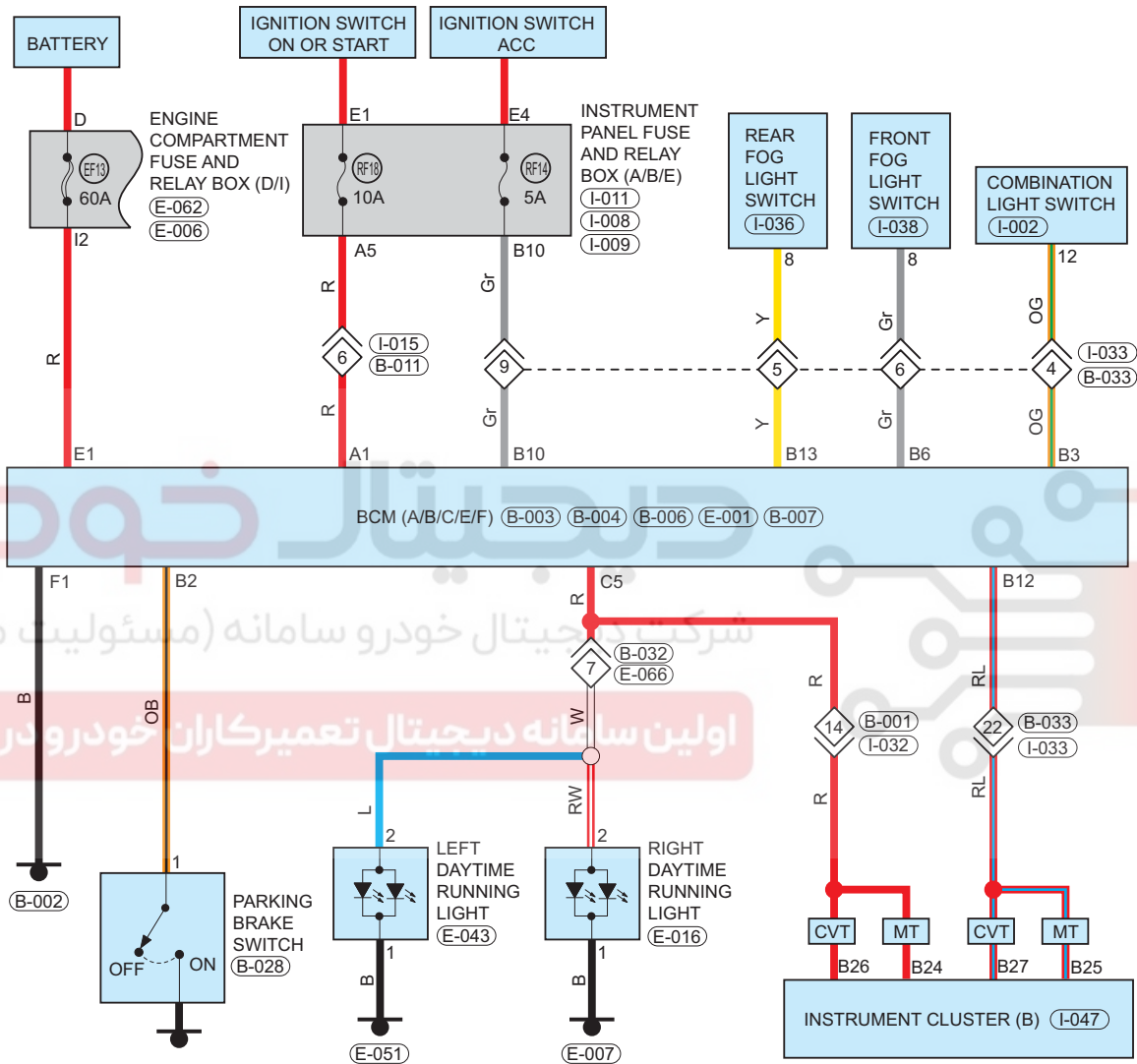


Daytime Running Light

Circuit Diagram (Page 1 of 1)



09

ET11090560