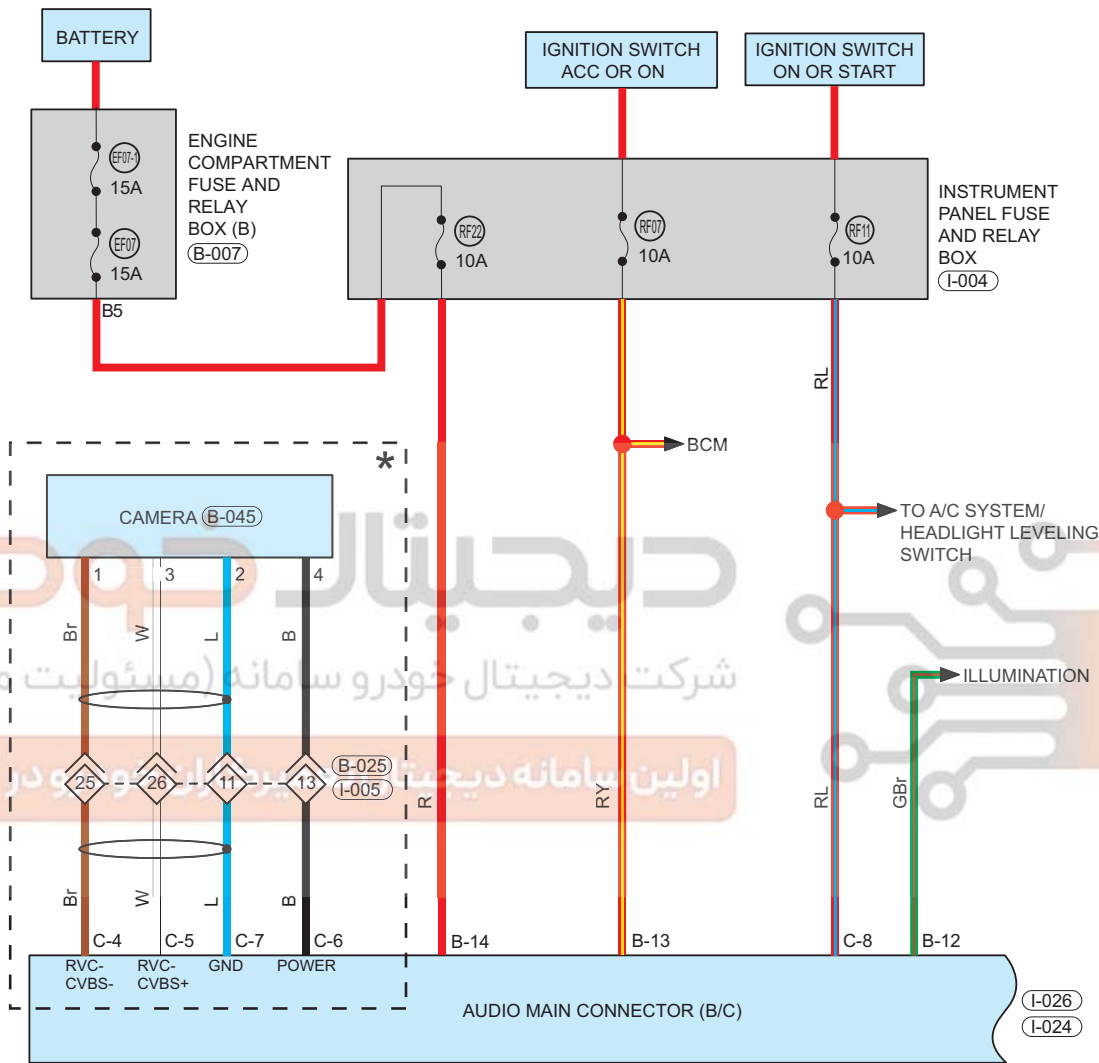


Audio/Visual System

Circuit Diagram (Page 1 of 5)

*: If Equipped



09 - SYSTEM CIRCUITS

Parts Location

Connector Code	See Page	Connector Code	See Page	Connector Code	See Page
I-004	08-8	I-024	08-8	I-026	08-8
B-007	08-11	B-045	08-11		

Fuse and Relay

Fuse/Relay	See Page	Fuse and Relay Box
RF07	06-13	Instrument Panel Fuse and Relay Box
RF11	06-13	Instrument Panel Fuse and Relay Box
RF22	06-13	Instrument Panel Fuse and Relay Box
EF07	06-4	Engine Compartment Fuse and Relay Box
EF07-1	06-4	Engine Compartment Fuse and Relay Box

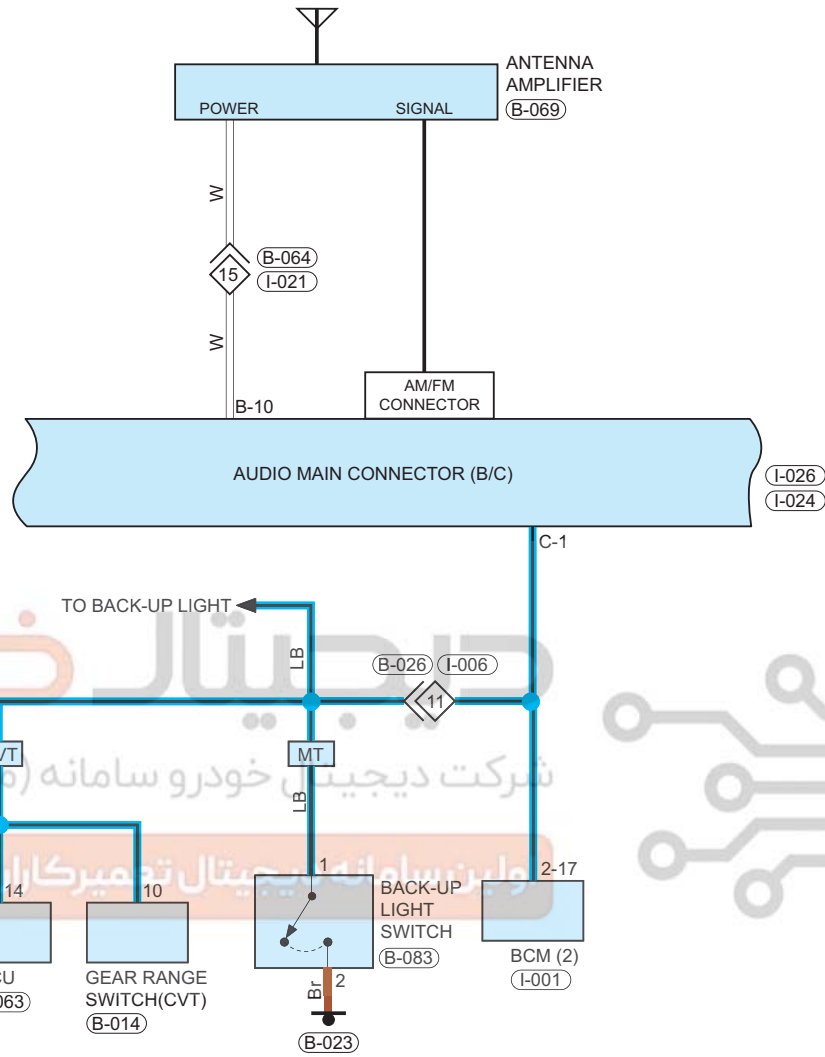
Location of Junction Connector

Connector Code	See Page	Connector Code	See Page	Connector Code	See Page
B-025, I-005	08-11, 08-8				

Form of Connector

Connector Code	See Page	Connector Code	See Page	Connector Code	See Page
I-004	12-4	I-024	12-5	I-026	12-5
B-007	12-6	B-045	12-7	B-025, I-005	12-6, 12-4

Circuit Diagram (Page 2 of 5)



دیجیتال خودرو
شرکت دیجیتالی خودرو سامانه (مسئولیت محدود)
واحد سامانه دیجیتال تو می کاران خودرو در ایران



09 - SYSTEM CIRCUITS

Parts Location

Connector Code	See Page	Connector Code	See Page	Connector Code	See Page
I-001	08-8	I-024	08-8	I-026	08-8
B-069	08-11	B-083	08-11	B-014	08-11
B-063	08-11				

Form of Connector

Connector Code	See Page	Connector Code	See Page	Connector Code	See Page
B-026, I-006	08-11, 08-8	B-064, I-021	08-11, 08-8		

Form of Connector

Connector Code	See Page	Connector Code	See Page	Connector Code	See Page
I-001	12-4	I-024	12-5	I-026	12-5
B-069	12-9	B-083	12-9	B-014	12-6
B-063	12-8	B-026, I-006	12-7, 12-4	B-064, I-021	12-9, 12-5

دیجیتال خودرو

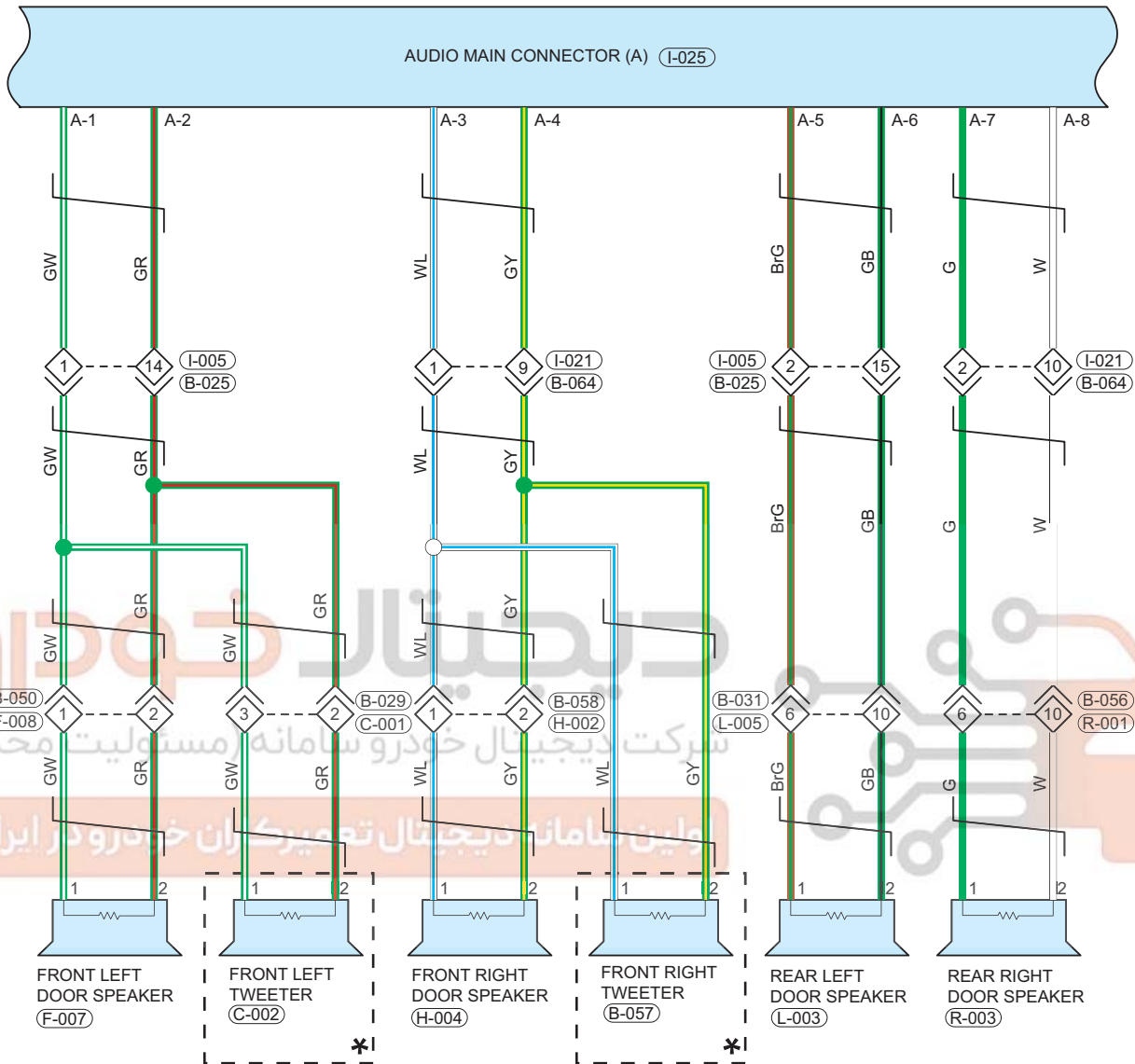
شرکت دیجیتال خودرو سامانه (مسئولیت محدود)

اولین سامانه دیجیتال تعمیرکاران خودرو در ایران



Circuit Diagram (Page 3 of 5)

*: If Equipped



09 - SYSTEM CIRCUITS

Parts Location

Connector Code	See Page	Connector Code	See Page	Connector Code	See Page
I-025	08-8	F-007	08-17	C-002	08-16
B-057	08-11	H-004	08-18	L-003	08-19
R-003	08-20				

Location of Junction Connector

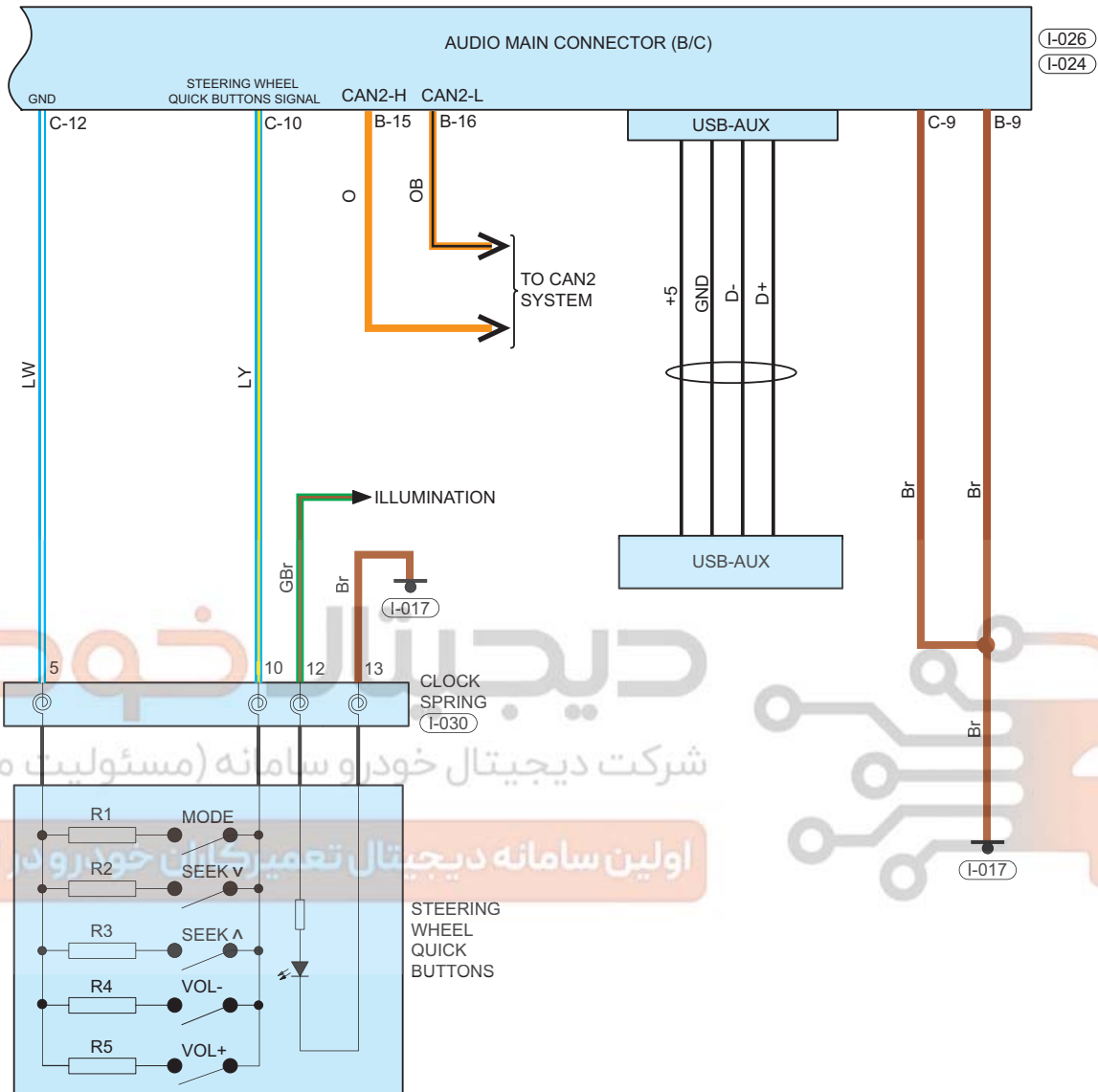
Connector Code	See Page	Connector Code	See Page	Connector Code	See Page
B-025, I-005	08-11, 08-8	B-064, I-021	08-11, 08-8	B-050, F-008	08-11, 08-17
B-029, C-001	08-11, 08-16	B-058, H-002	08-11, 08-18	B-031, L-005	08-11, 08-19
B-056, R-001	08-11, 08-20				

Form of Connector

Connector Code	See Page	Connector Code	See Page	Connector Code	See Page
B-057	12-8	I-025	12-5	F-007	12-10
R-003	12-11	C-002	12-10	H-004	12-10
L-003	12-11	B-025, I-005	12-6, 12-4	B-064, I-021	12-9, 12-5
B-050, F-008	12-8, 12-10	B-029, C-001	12-7, 12-10	B-058, H-002	12-8, 12-10
B-031, L-005	12-7, 12-11	B-056, R-001	12-8, 12-11		

اولین سامانه دیجیتال تعمیرکاران خودرو در ایران

Circuit Diagram (Page 4 of 5)



09 - SYSTEM CIRCUITS

Parts Location

Connector Code	See Page	Connector Code	See Page	Connector Code	See Page
I-024	08-8	I-026	08-8	I-030	08-8

Form of Connector

Connector Code	See Page	Connector Code	See Page	Connector Code	See Page
I-024	12-5	I-026	12-5	I-030	12-5

دیجیتال خودرو

شرکت دیجیتال خودرو سامانه (مسئولیت محدود)

اولین سامانه دیجیتال تعمیرکاران خودرو در ایران



Circuit Diagram (Page 5 of 5)

*: If Equipped

