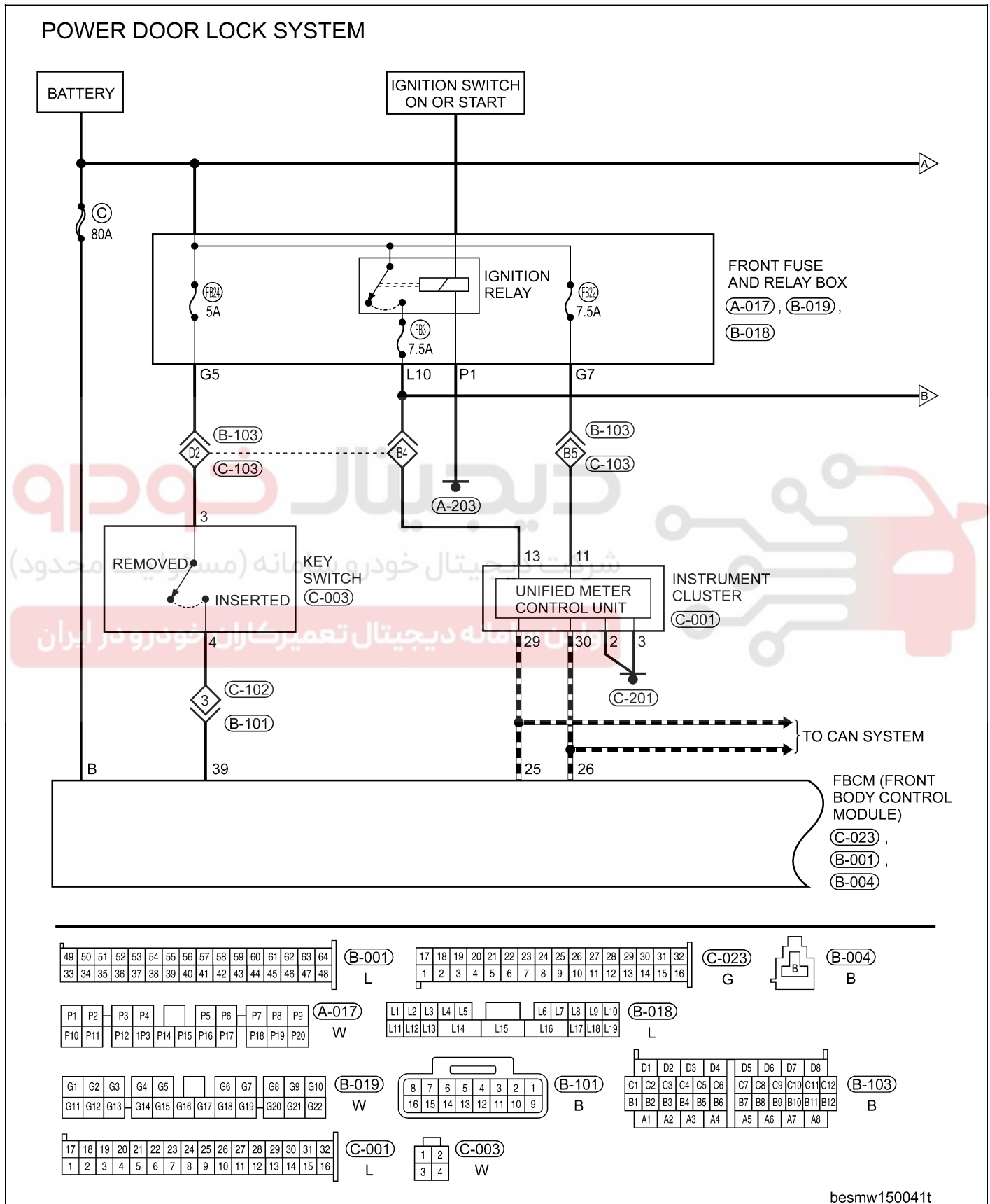


**DOOR LOCKS**

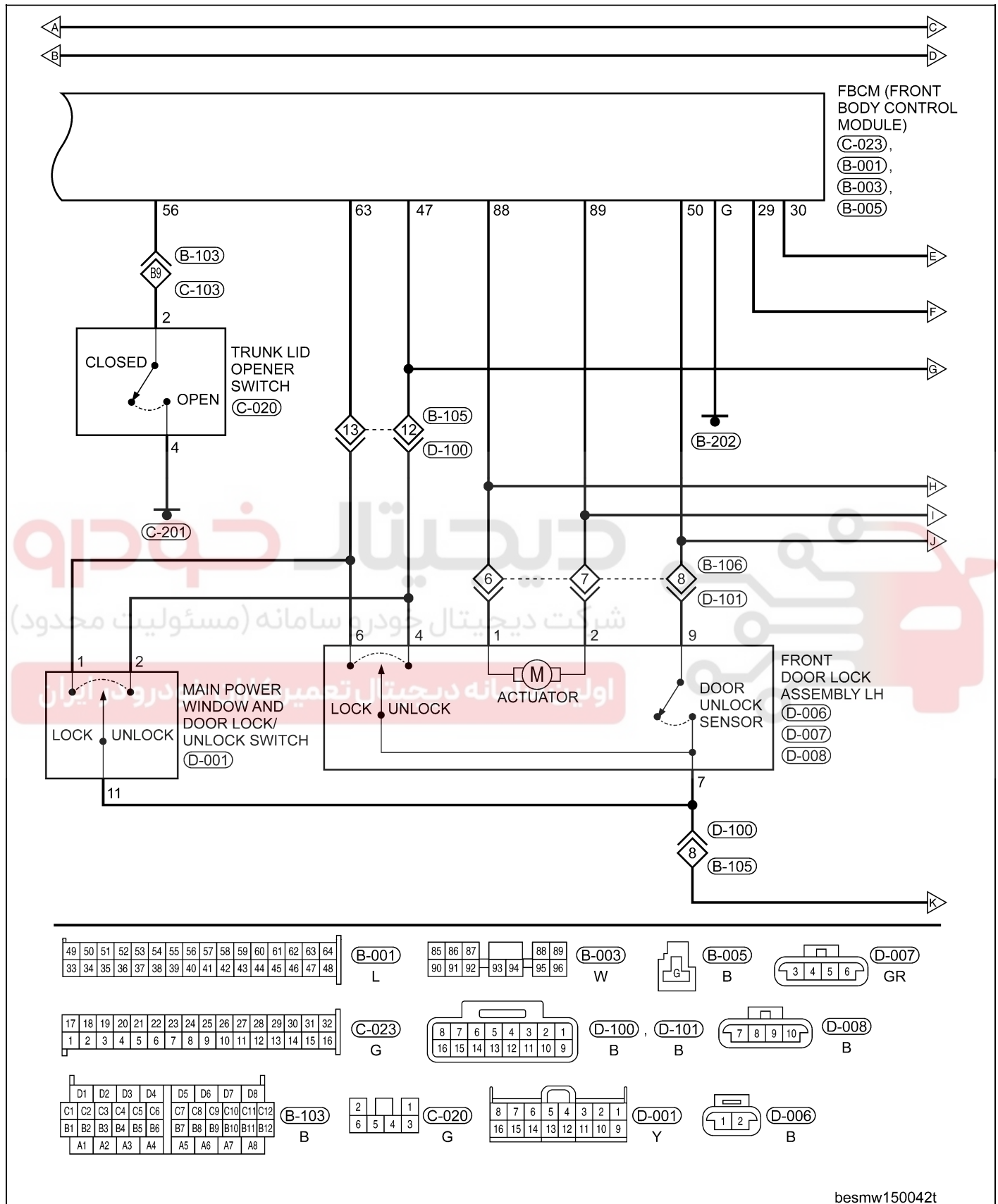
**Electrical Schematics**

**Power Door Lock System (Page 1 of 4)**



### DOOR LOCKS

#### Power Door Lock System (Page 2 of 4)



### DOOR LOCKS

#### Power Door Lock System (Page 3 of 4)

