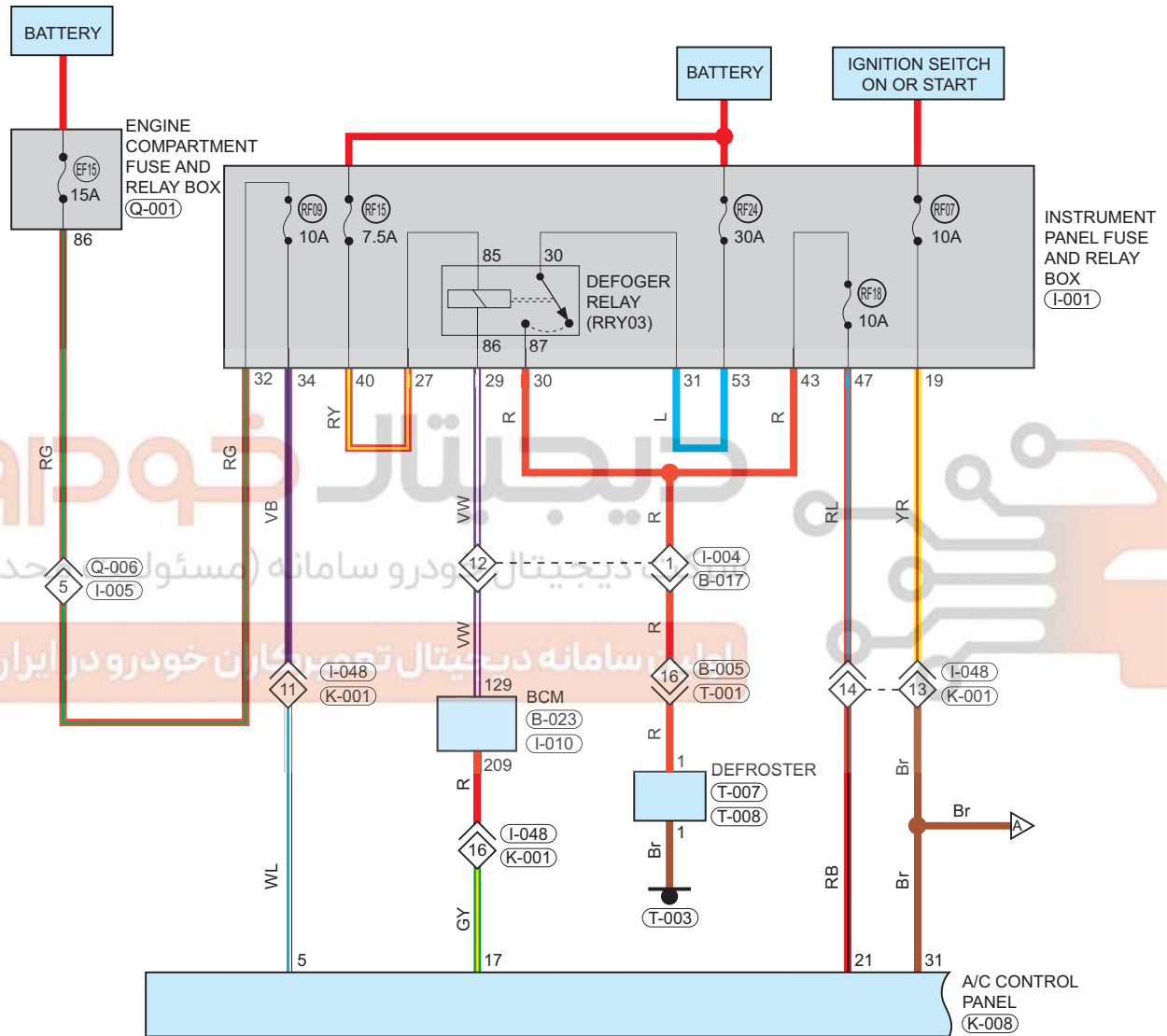


# Electrical A/C System

Circuit Diagram (Page 1 of 4)



09

## Parts Location

Connector Code	See Page	Connector Code	See Page	Connector Code	See Page
Q-001	08-6	I-001	08-12	I-010	08-12
T-007	08-29	T-008	08-29	T-003	08-29
K-008	08-31				

## Fuse and Relay

Fuse/Relay	See Page	Fuse and Relay Box
EF15	06-2	Engine Compartment Fuse and Relay Box
RF15	06-8	Instrument Panel Fuse and Relay Box
RF24	06-8	Instrument Panel Fuse and Relay Box
RF18	06-8	Instrument Panel Fuse and Relay Box
RF09	06-8	Instrument Panel Fuse and Relay Box
RF07	06-8	Instrument Panel Fuse and Relay Box
Defogger Relay (RRY03)	06-8	Instrument Panel Fuse and Relay Box

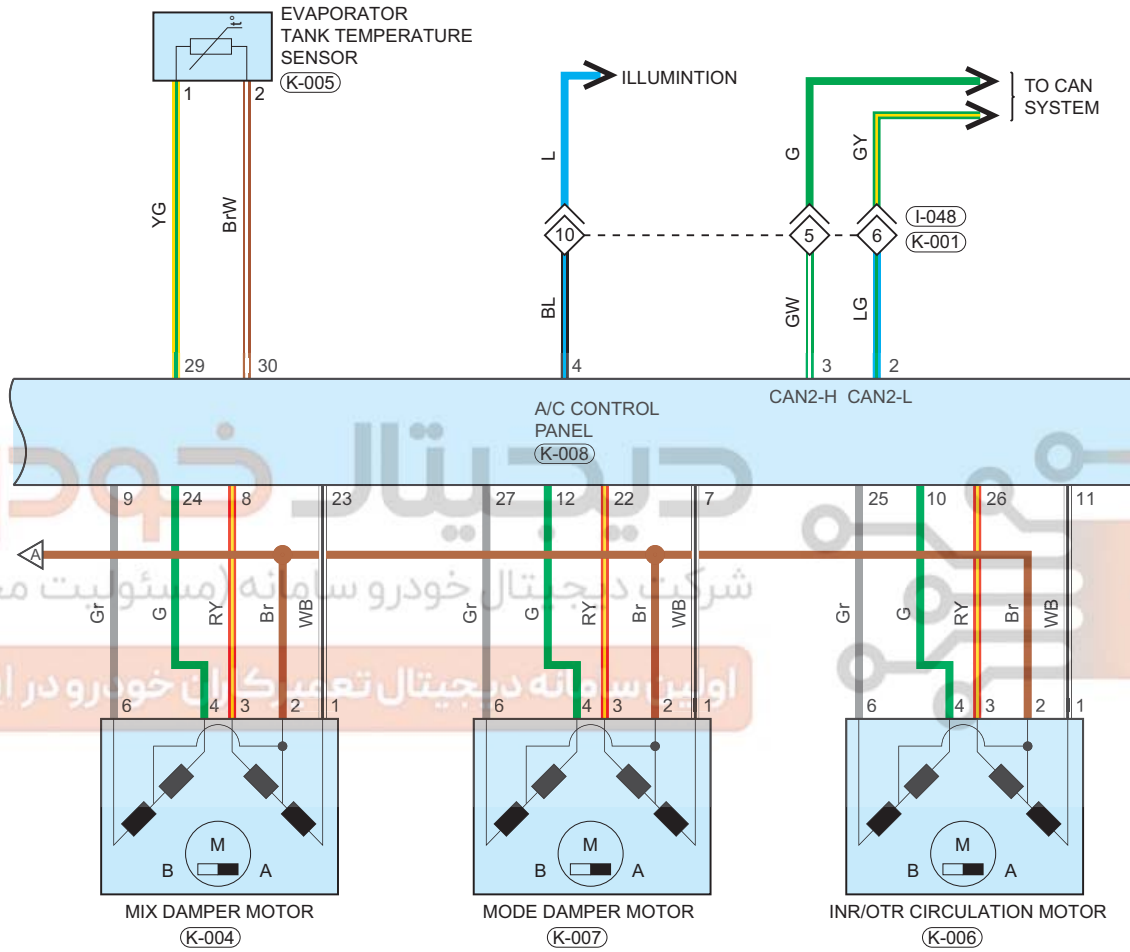
## Location of Junction Connector

Connector Code	See Page	Connector Code	See Page	Connector Code	See Page
I-005, Q-006	08-12	I-048, K-001	08-12	I-004, B-017	08-12
B-005, T-001	08-16				

## Form of Connector

Connector Code	See Page	Connector Code	See Page	Connector Code	See Page
Q-001	12-16	I-001	12-4	I-010	12-4
T-007	12-15	T-008	12-15	T-003	12-15
K-008	12-12	I-005, Q-006	12-4	I-048, K-001	12-4
I-004, B-017	12-4	B-005, T-001	12-8		

Circuit Diagram (Page 2 of 4)



09

ACE002001

## Parts Location

Connector Code	See Page	Connector Code	See Page	Connector Code	See Page
K-005	08-31	K-008	08-31	K-004	08-31
K-007	08-31	K-006	08-31		

## Location of Junction Connector

Connector Code	See Page	Connector Code	See Page	Connector Code	See Page
K-001, I-048	08-31				

## Form of Connector

Connector Code	See Page	Connector Code	See Page	Connector Code	See Page
K-005	12-12	K-008	12-12	K-004	12-12
K-007	12-12	K-006	12-12	K-001, I-048	12-12

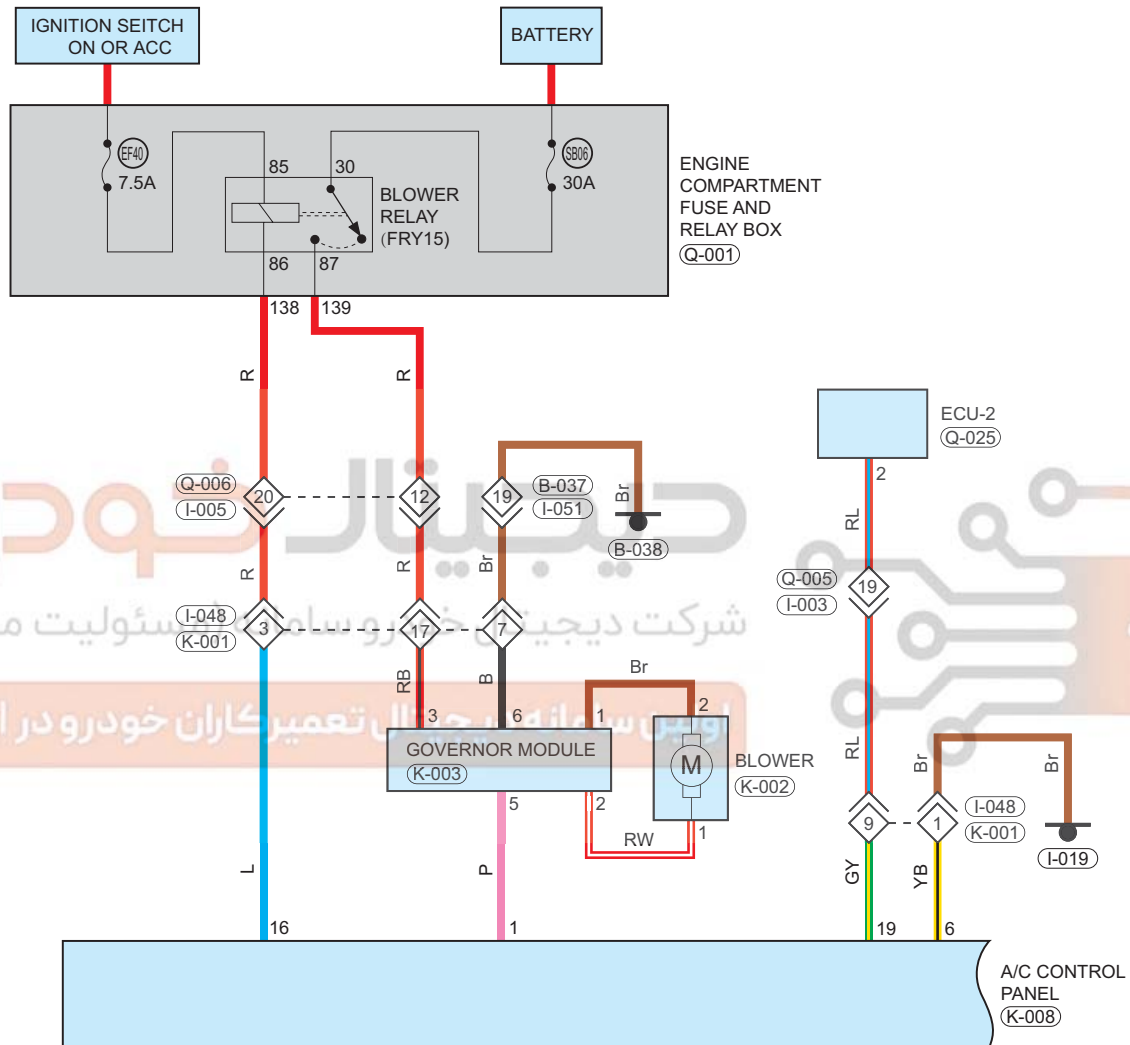
# دیجیتال خودرو

شرکت دیجیتال خودرو سامانه (مسئولیت محدود)

اولین سامانه دیجیتال تعمیرکاران خودرو در ایران



Circuit Diagram (Page 3 of 4)



09

ACE003001

**Parts Location**

Connector Code	See Page	Connector Code	See Page	Connector Code	See Page
Q-001	08-6	K-003	08-31	K-002	08-31
K-008	08-31	B-038	08-16	Q-025	08-6
I-019	08-12				

**Fuse and Relay**

Fuse/Relay	See Page	Fuse and Relay Box
EF40	06-2	Engine Compartment Fuse and Relay Box
SB06	06-2	Engine Compartment Fuse and Relay Box
Blower Relay (FRY15)	06-2	Engine Compartment Fuse and Relay Box

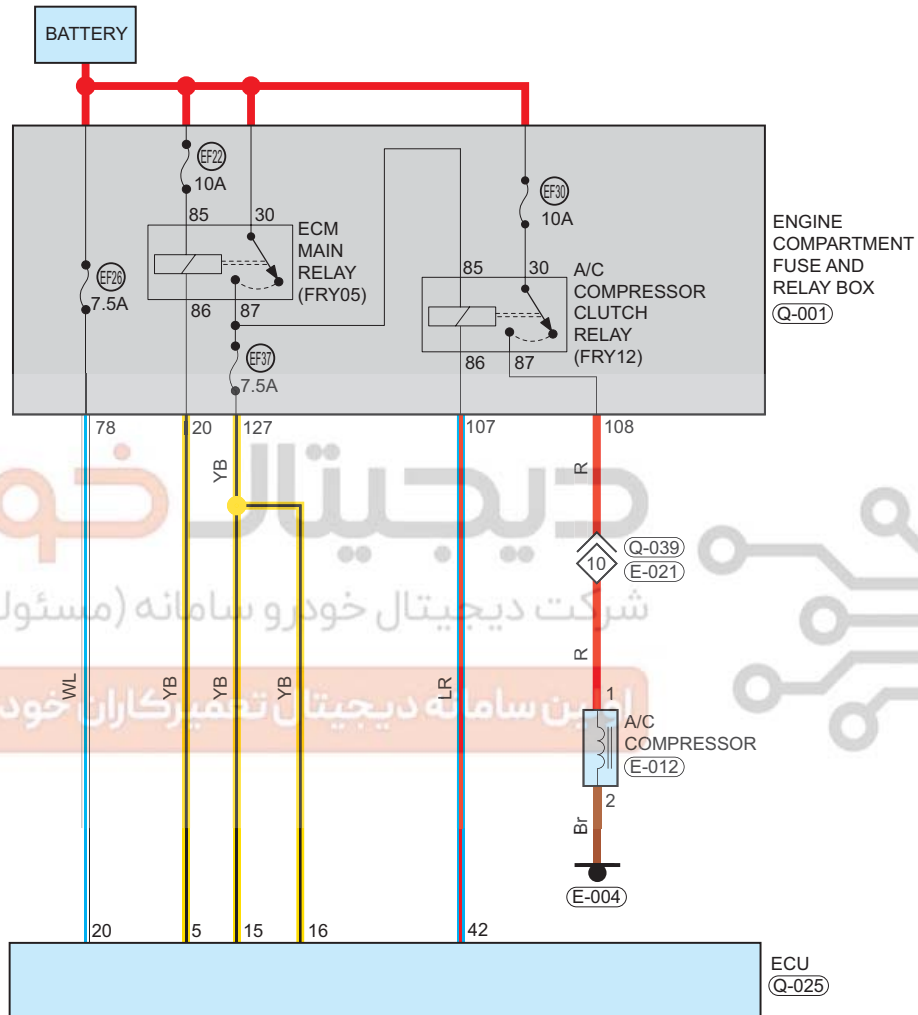
**Location of Junction Connector**

Connector Code	See Page	Connector Code	See Page	Connector Code	See Page
Q-006, I-005	08-6	I-048, K-001	08-12	I-051, B-037	08-12
Q-005, I-003	08-6				

**Form of Connector**

Connector Code	See Page	Connector Code	See Page	Connector Code	See Page
Q-001	12-16	K-003	12-12	K-002	12-12
K-008	12-12	B-038	12-8	Q-025	12-16
I-019	12-4	Q-006, I-005	12-16	I-048, K-001	12-4
I-051, B-037	12-4	Q-005, I-003	12-16		

Circuit Diagram (Page 4 of 4)



09

ACE004001

**Parts Location**

Connector Code	See Page	Connector Code	See Page	Connector Code	See Page
Q-001	08-6	Q-025	08-6	E-004	08-3
E-012	08-3				

**Fuse and Relay**

Fuse/Relay	See Page	Fuse and Relay Box
EF26	06-2	Engine Compartment Fuse and Relay Box
EF22	06-2	Engine Compartment Fuse and Relay Box
EF37	06-2	Engine Compartment Fuse and Relay Box
EF30	06-2	Engine Compartment Fuse and Relay Box
ECM Main Relay (FRY05)	06-2	Engine Compartment Fuse and Relay Box
A/C Compressor Clutch Relay (FRY12)	06-2	Engine Compartment Fuse and Relay Box

**Location of Junction Connector**

Connector Code	See Page	Connector Code	See Page	Connector Code	See Page
Q-039, E-021	08-6				

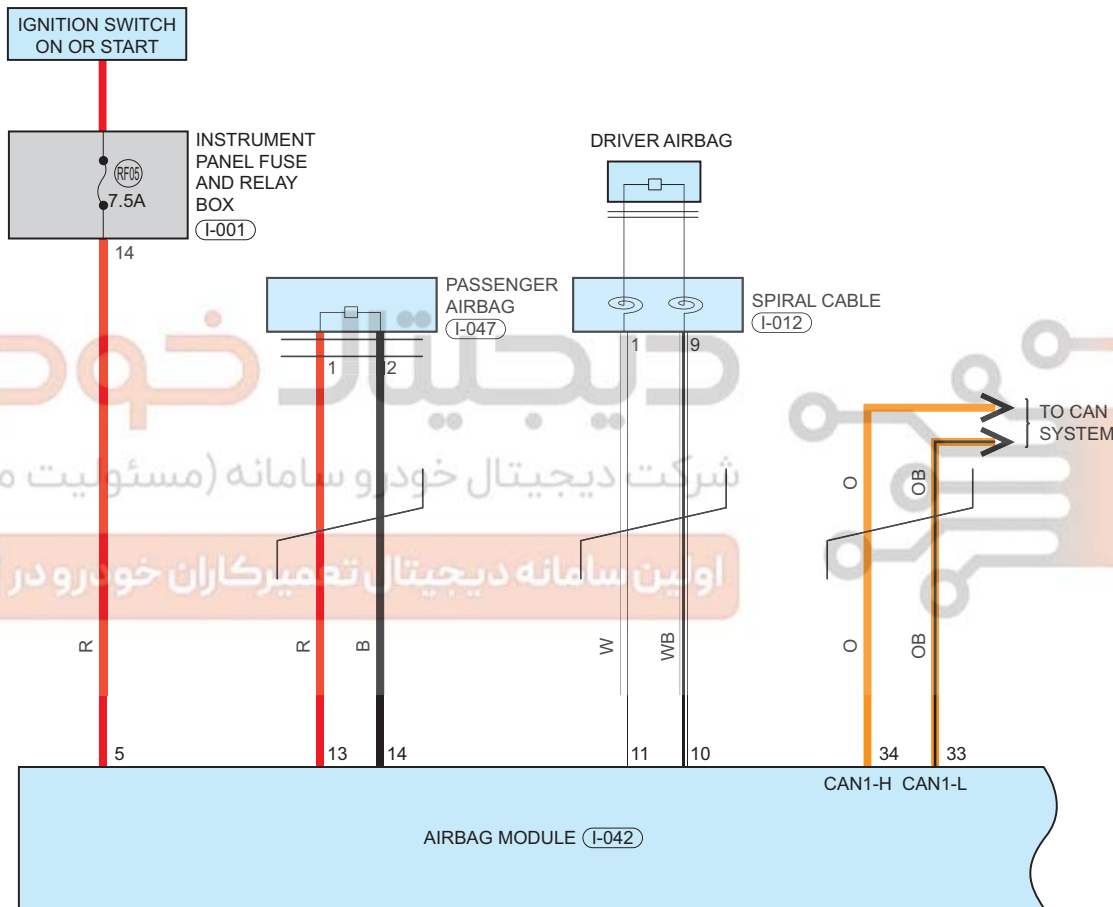
**Form of Connector**

Connector Code	See Page	Connector Code	See Page	Connector Code	See Page
Q-001	12-16	Q-025	12-16	E-004	12-2
E-012	12-2	Q-039, E-021	12-16		



# Supplemental Restraint System

Circuit Diagram (Page 1 of 3)



09