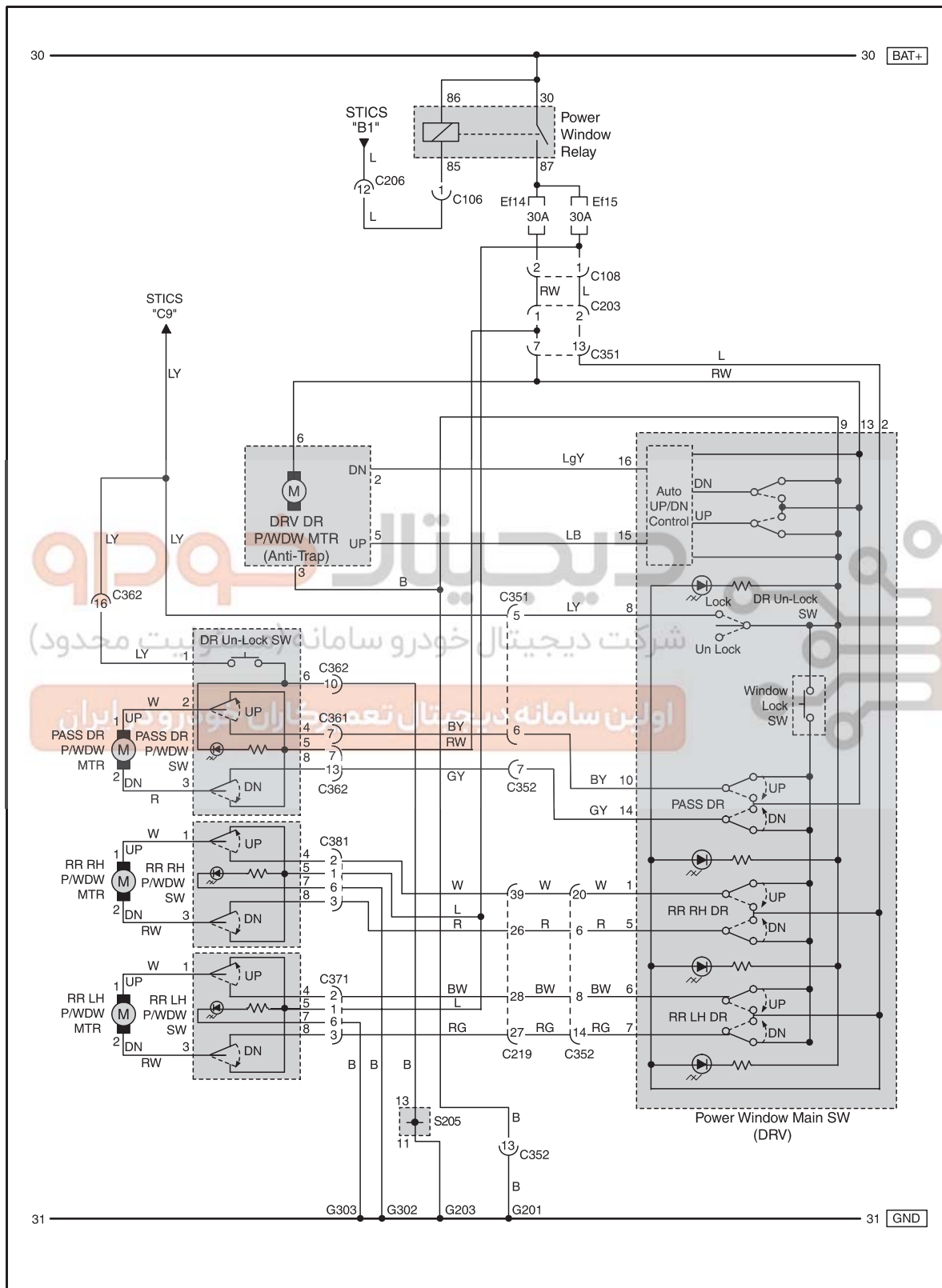


# 8510-05 POWER WINDOW CIRCUIT



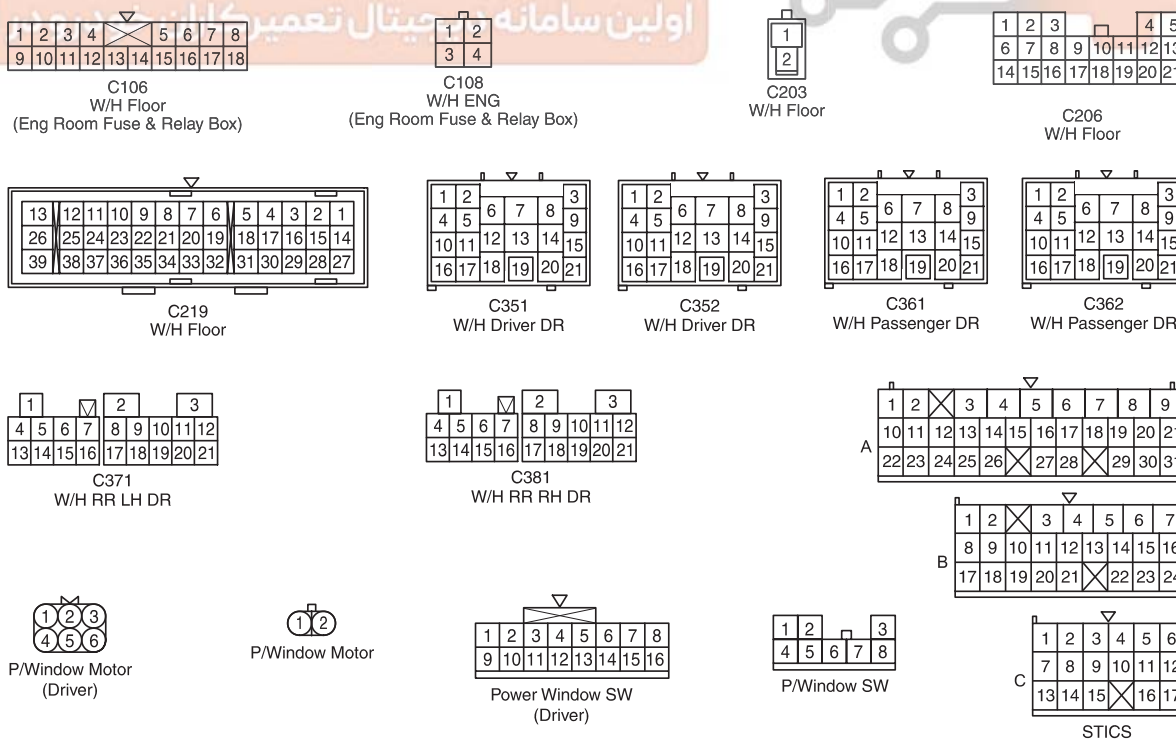
CIRCUIT  
REXTON 2010.01

Modification basis	
Application basis	
Affected VIN	

**(1) CONNECTOR INFORMATION**

Connector Number (Pin Number, Color)	Connecting Wiring Harness	Connector Position	Remark
C106 (18Pin, White)	W/H Floor - Eng Room Fuse & Relay Box	Eng Room Fuse & Relay Box	
C108 (4Pin, Colorless)	W/H Eng - Eng Room Fuse & Relay Box	Eng Room Fuse & Relay Box	
C203 (2Pin, Colorless)	W/H Main - W/H Floor	Under the I/P Fuse Box	
C206 (21Pin, Black)	W/H Main - W/H Floor	Driver Cowl Side C/Holder	C/Holder
C219 (39Pin, Gray)	W/H Main - W/H Floor	Passenger Cowl Side C/Holder	C/Holder
C351 (21Pin, Black)	W/H Main - W/H Driver DR	Inside the Driver Cowl Side PNL	
C352 (21Pin, White)	W/H Main - W/H Driver DR	Inside the Driver Cowl Side PNL	
C361 (21Pin, White)	W/H Main - W/H Passenger DR	Inside the Passenger Cowl Side PNL	
C362 (21Pin, Black)	W/H Main - W/H Passenger DR	Inside the Passenger Cowl Side PNL	
C371 (21Pin, White)	W/H Floor - W/H RR LH DR	Under the Left "B" PLR	
C381 (21Pin, White)	W/H Floor - W/H RR RH DR	Under the Right "B" PLR	
G201	W/H Main	Under the Driver Cowl Side PNL	
G203	W/H Main	Inside the Passenger Cowl Side PNL	DSL, GSL
G302	W/H Floor	Under the Passenger Seat	
G303	W/H Floor	Under the LH "B" PLR	
S205 (20Pin)	W/H Main	Backside A/V Head Unit (Inside RH Protector)	

**(2) CONNECTOR IDENTIFICATION SYMBOL & PIN NUMBER POSITION**



Modification basis	
Application basis	
Affected VIN	