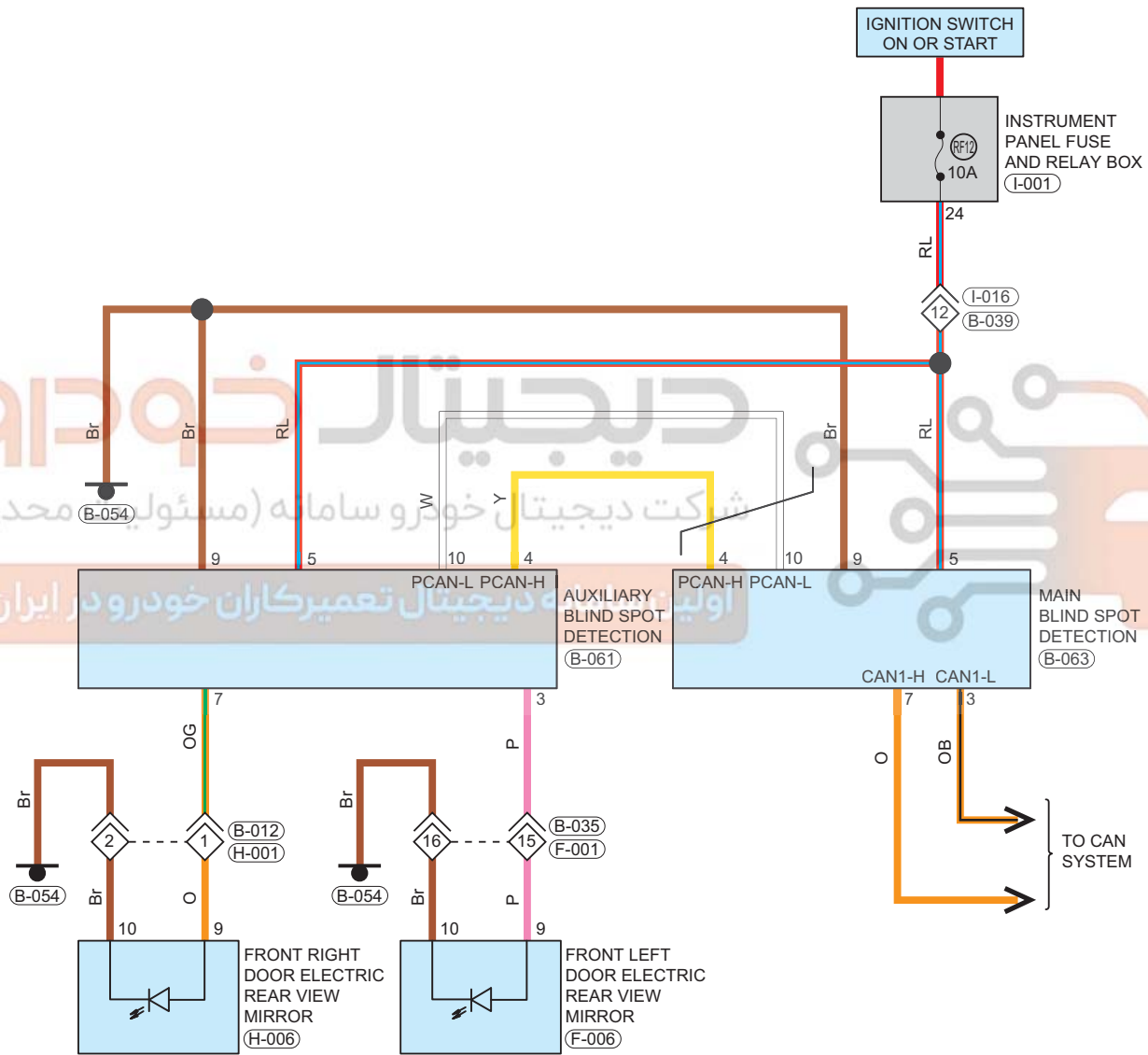


# Blind Spot Detection System

Circuit Diagram (Page 1 of 1)



09

BSE001001