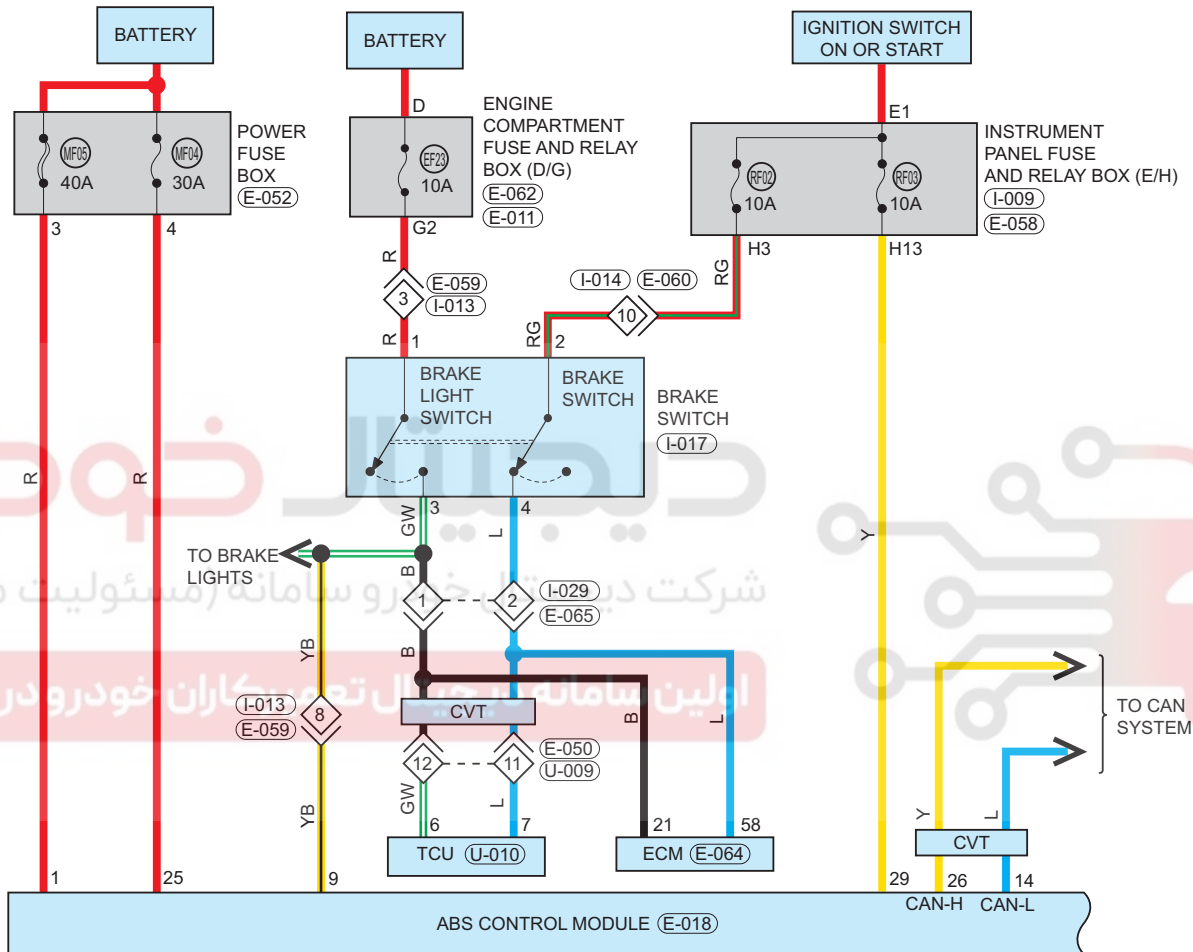
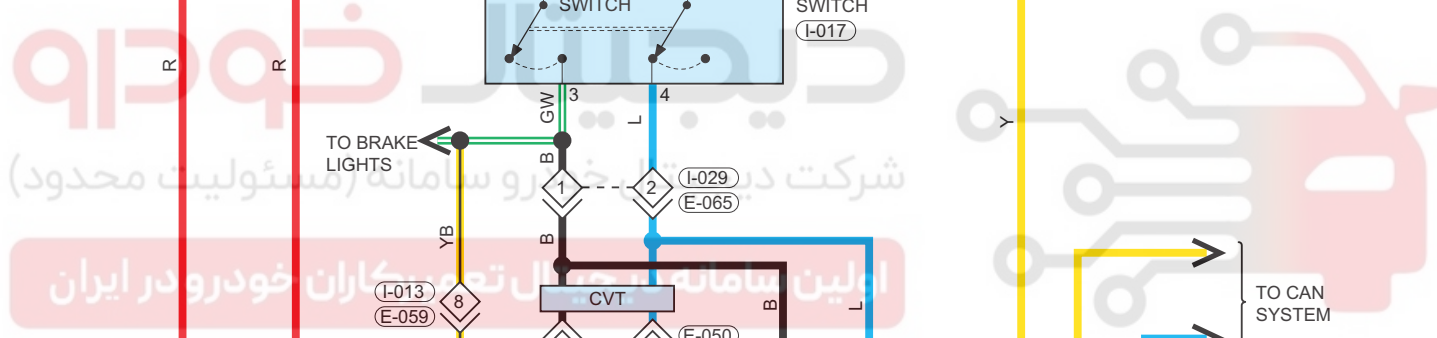


Brake Control System

Circuit Diagram (Page 1 of 2)



09



Parts Location

Connector Code	See Page	Connector Code	See Page	Connector Code	See Page
E-052	08-4 (MT)	E-062	08-4 (MT)	E-011	08-4 (MT)
	08-7 (CVT)		08-7 (CVT)		08-7 (CVT)
E-064	08-4 (MT)	E-058	08-4 (MT)	E-018	08-4 (MT)
	08-7 (CVT)		08-7 (CVT)		08-7 (CVT)
U-010	08-10	I-009	08-12	I-017	08-12

Fuse and Relay

Fuse/Relay	See Page	Fuse and Relay Box
MF04	06-2	Power Fuse Box
MF05	06-2	Power Fuse Box
EF23	06-5	Engine Compartment Fuse and Relay Box
RF02	06-12	Instrument Panel Fuse and Relay Box
RF03	06-12	Instrument Panel Fuse and Relay Box

Location of Junction Connector

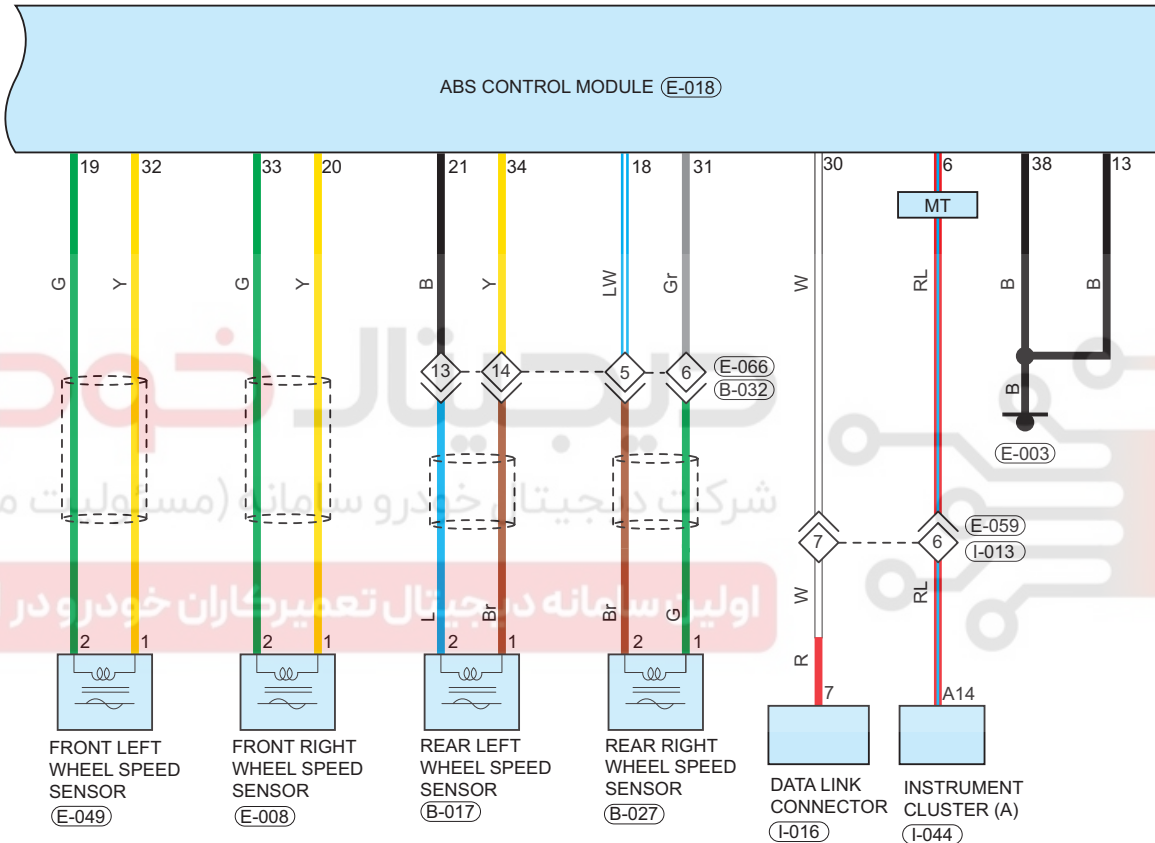
Connector Code	See Page	Connector Code	See Page	Connector Code	See Page
E-059, I-013	08-4, 08-12 (MT)	I-014, E-060	08-12, 08-4 (MT)	I-029, E-065	08-12, 08-4 (MT)
	08-7, 08-12 (CVT)		08-12, 08-7 (CVT)		08-12, 08-7 (CVT)
E-050, U-009	08-7, 08-10				

09

Form of Connector

Connector Code	See Page	Connector Code	See Page	Connector Code	See Page
E-052	12-4	E-062	12-4	E-011	12-2
I-009	12-8	E-058	12-4	I-017	12-9
U-010	12-6	E-064	12-5	E-018	12-2
E-059, I-013	12-4	I-014, E-060	12-8	I-029, E-065	12-9
E-050, U-009	12-4				

Circuit Diagram (Page 2 of 2)



09

شرکت دیجیتال خودرو سامانه (مسئولیت محدود)
 اولین سامانه دیجیتال تعمیرکاران خودرو در ایران

ET11090260