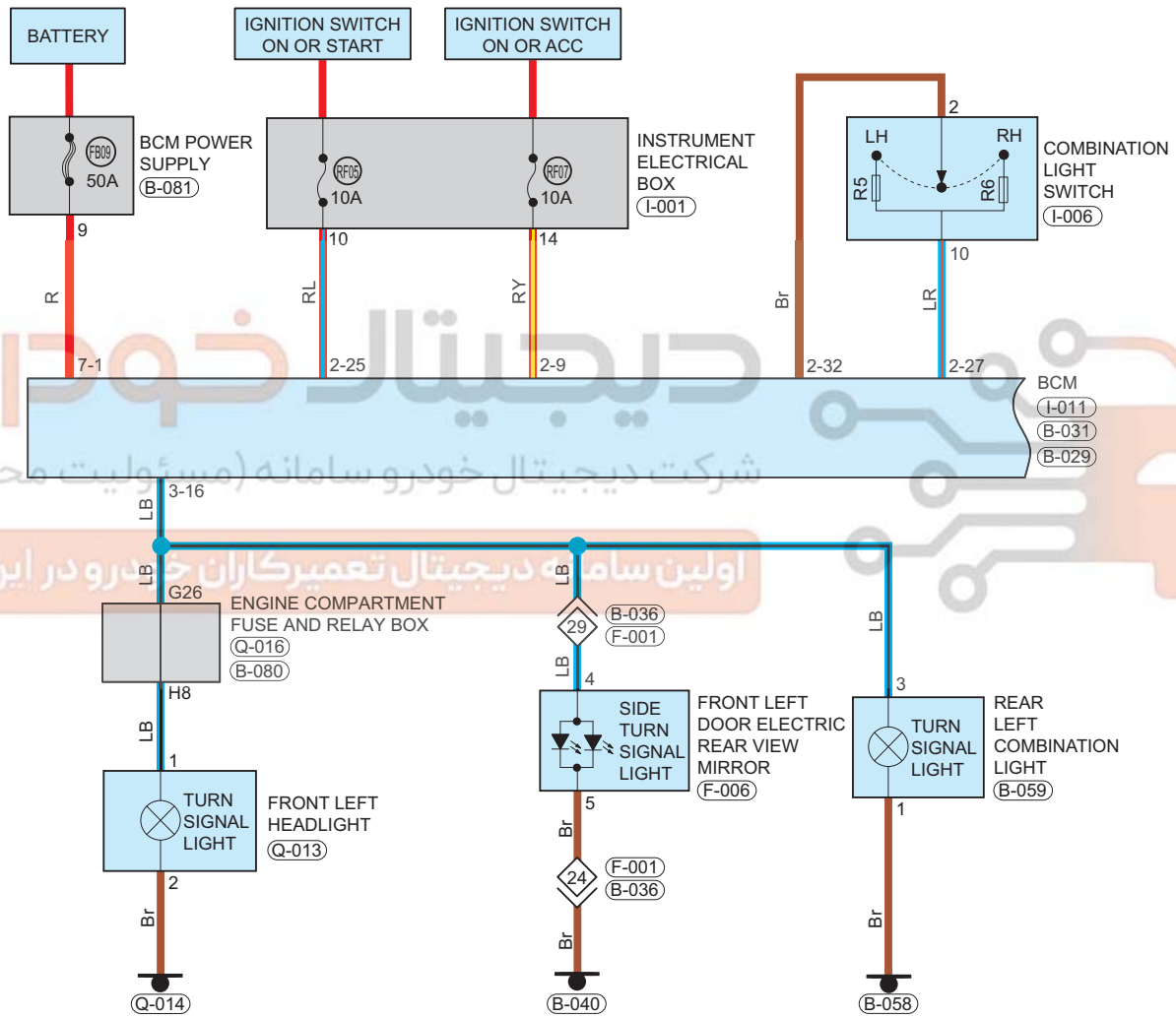


# Turn Signal Light

Circuit Diagram (Page 1 of 2)



## Parts Location

Connector Code	See Page	Connector Code	See Page	Connector Code	See Page
B-081	08-12	I-001	08-8	I-006	08-8
B-031	08-12	I-011	08-8	B-029	08-12
Q-016	08-6	B-080	08-12	Q-013	08-6
Q-014	08-6	F-006	08-27	B-040	08-12
B-059	08-12	B-058	08-12		

## Fuse and Relay

Fuse/Relay	See Page	Fuse and Relay Box
FB09	06-2	Engine Compartment Fuse And Relay Box
RF05	06-9	Instrument Panel Fuse And Relay Box
RF07	06-9	Instrument Panel Fuse And Relay Box

## Location of Junction Connector

Connector Code	See Page	Connector Code	See Page	Connector Code	See Page
B-036, F-001	08-12				

## Form of Connector

Connector Code	See Page	Connector Code	See Page	Connector Code	See Page
B-081	12-7	I-001	12-4	I-006	12-4
B-031	12-7	I-011	12-4	B-029	12-7
Q-016	12-17	B-080	12-7	Q-013	12-17
Q-014	12-17	F-006	12-14	B-040	12-7
B-059	12-7	B-058	12-7	B-036, F-001	12-7

Circuit Diagram (Page 2 of 2)

