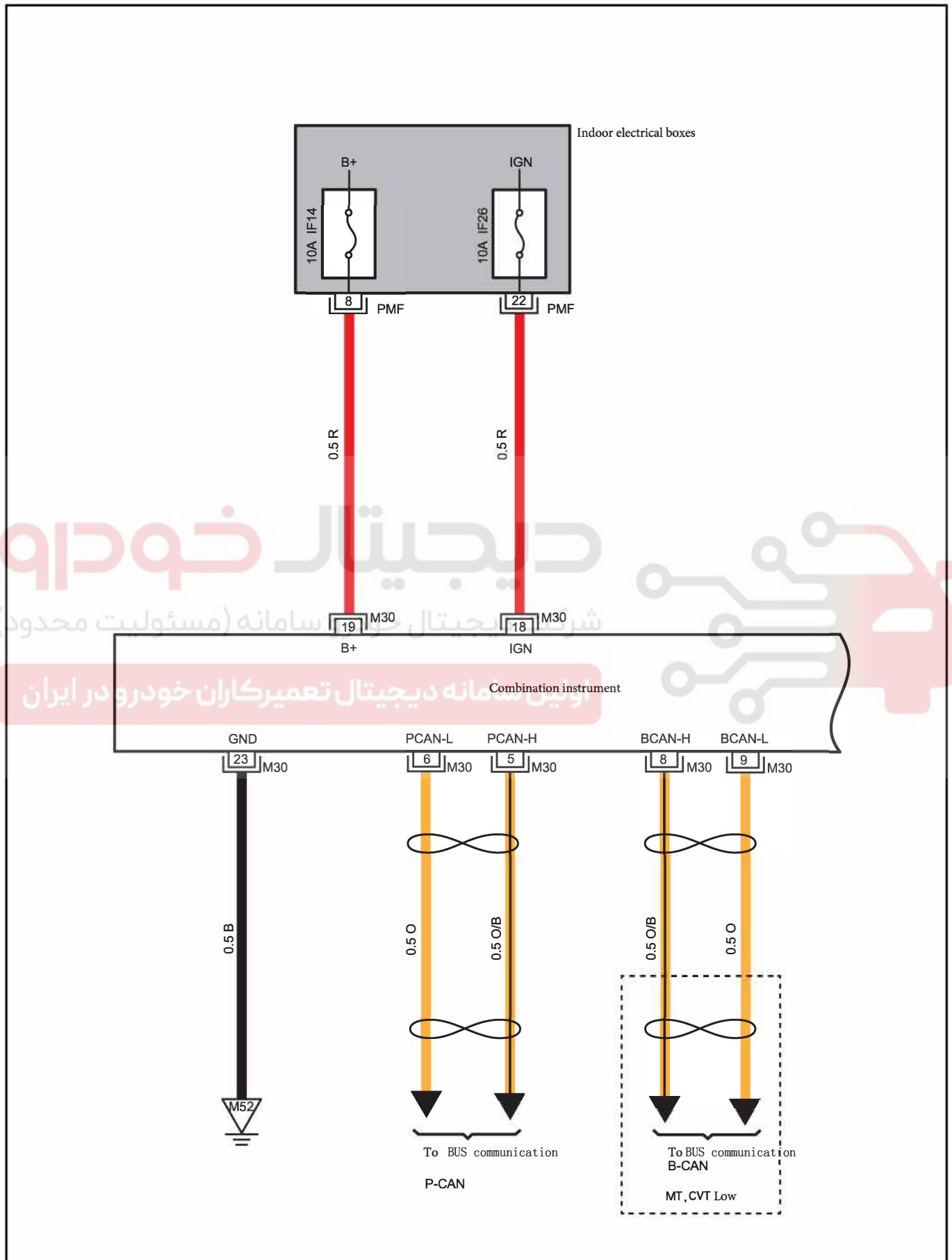
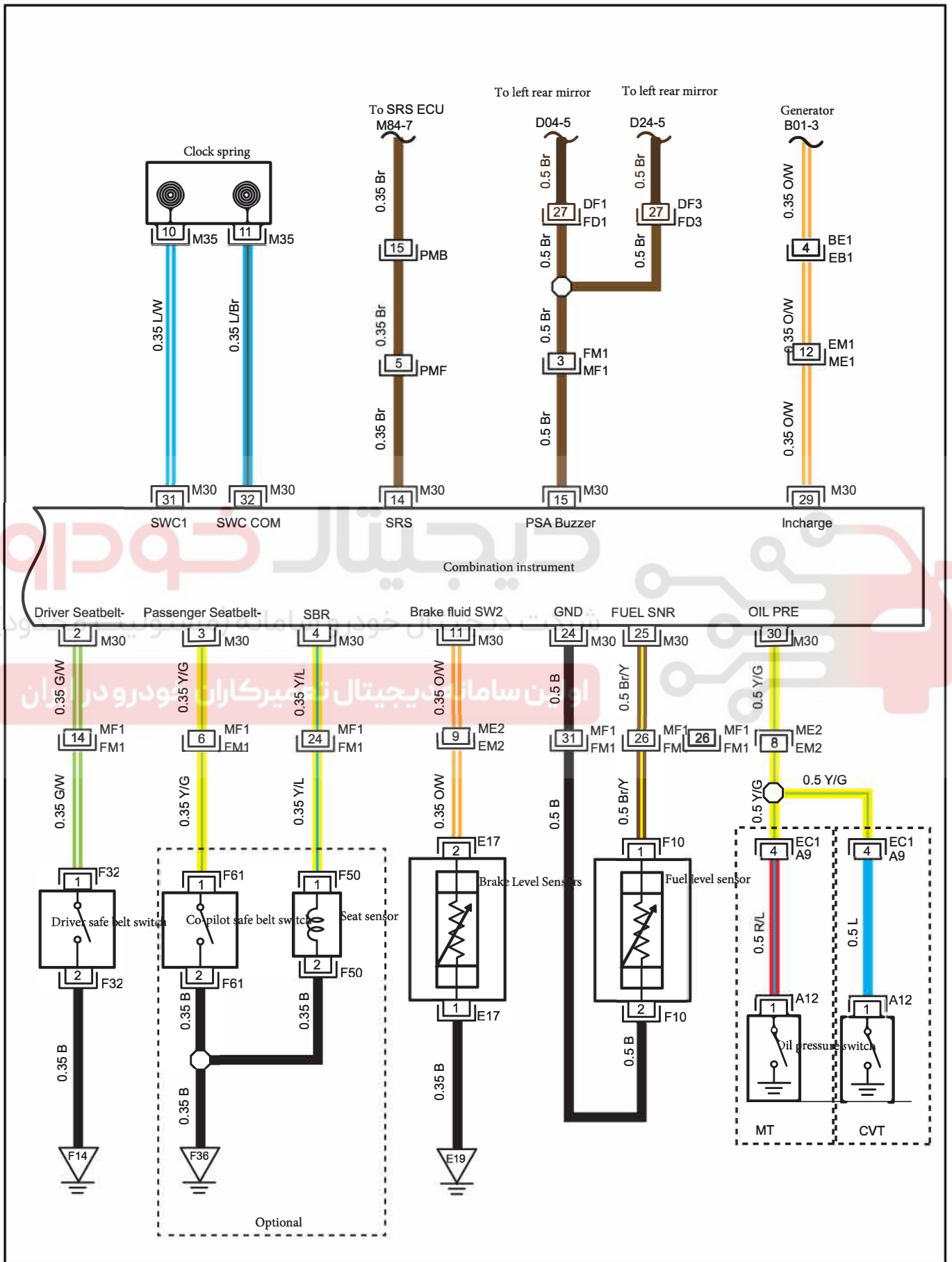


Combination instrument 1



Combination instrument 2



Harness connector	Name	Page
M30	Combination instrument harness connector	26
M35	Clock spring harness connector	25
MF1	Main harness to frame harness 1	26
ME1	Main harness to engine harness connector 1	25
EM1	Engine harness to main harness connector 1	17
E17	Brake level sensor harness connector	16
EM2	Engine harness to main harness connector 2	17
ME2	Main harness to engine harness connector 2	25
FM1	Frame harness to main harness connector 1	43
F32	Driver safe belt switch harness connector	45
F61	Co-pilot safe belt switch harness connector	43
F50	Seats sensor harness connector	43
F10	Fuel level sensor harness connector	45
FD1	Body harness to left front door harness connector	43
DF1	Left front door to body harness harness connector	49
FD3	Body harness to right front door harness connector	43
DF3	Right front door to body harness harness connector	53
EC1	Engine harness to engine control harness connector 1	16
A9	Engine control harness to engine harness connector 1	22
A12	Oil pressure switch harness connector	22
F14	Ground	64
F36	Ground	64
E19	Ground	59
M52	Ground	63

Harness connector	Name	Page
M30-14	To SRS ECU M84-7	121
M30-15	To left rear mirror D04-5	121
	To left rear mirror D24-5	121
M30-29	Generator B01-3	90