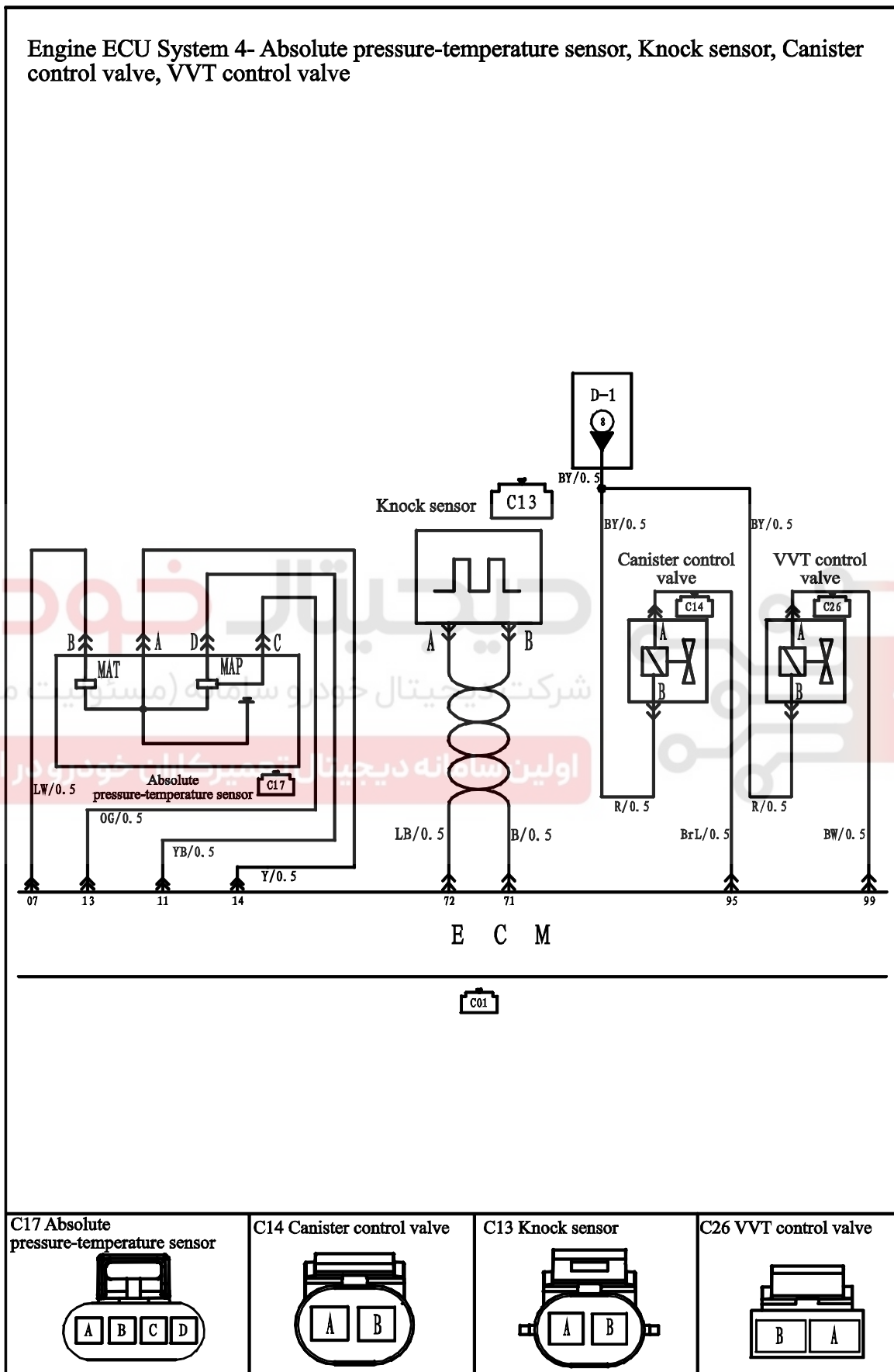
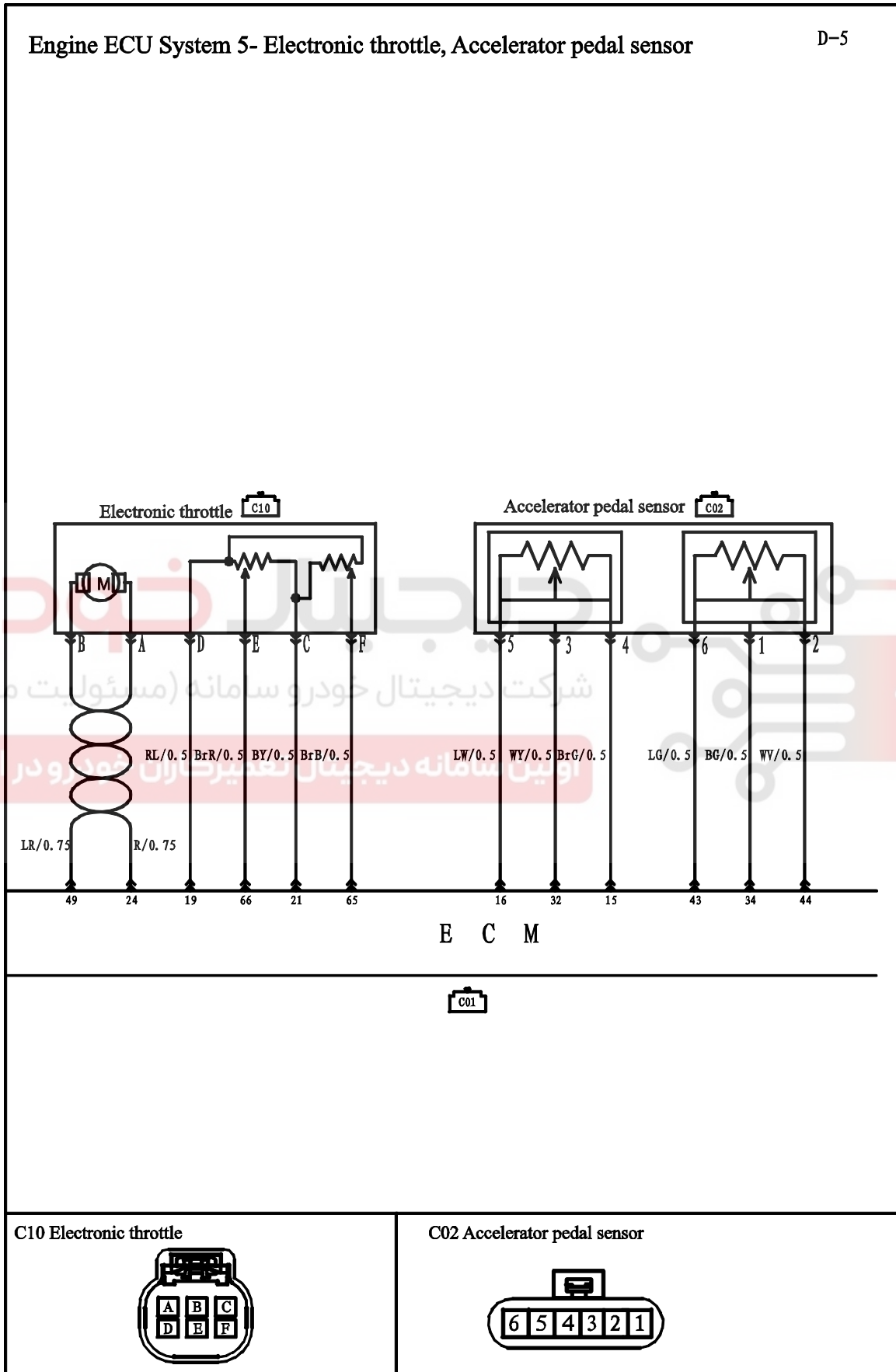


Engine ECU System 4- Absolute pressure-temperature sensor, Knock sensor, Canister control valve, VVT control valve

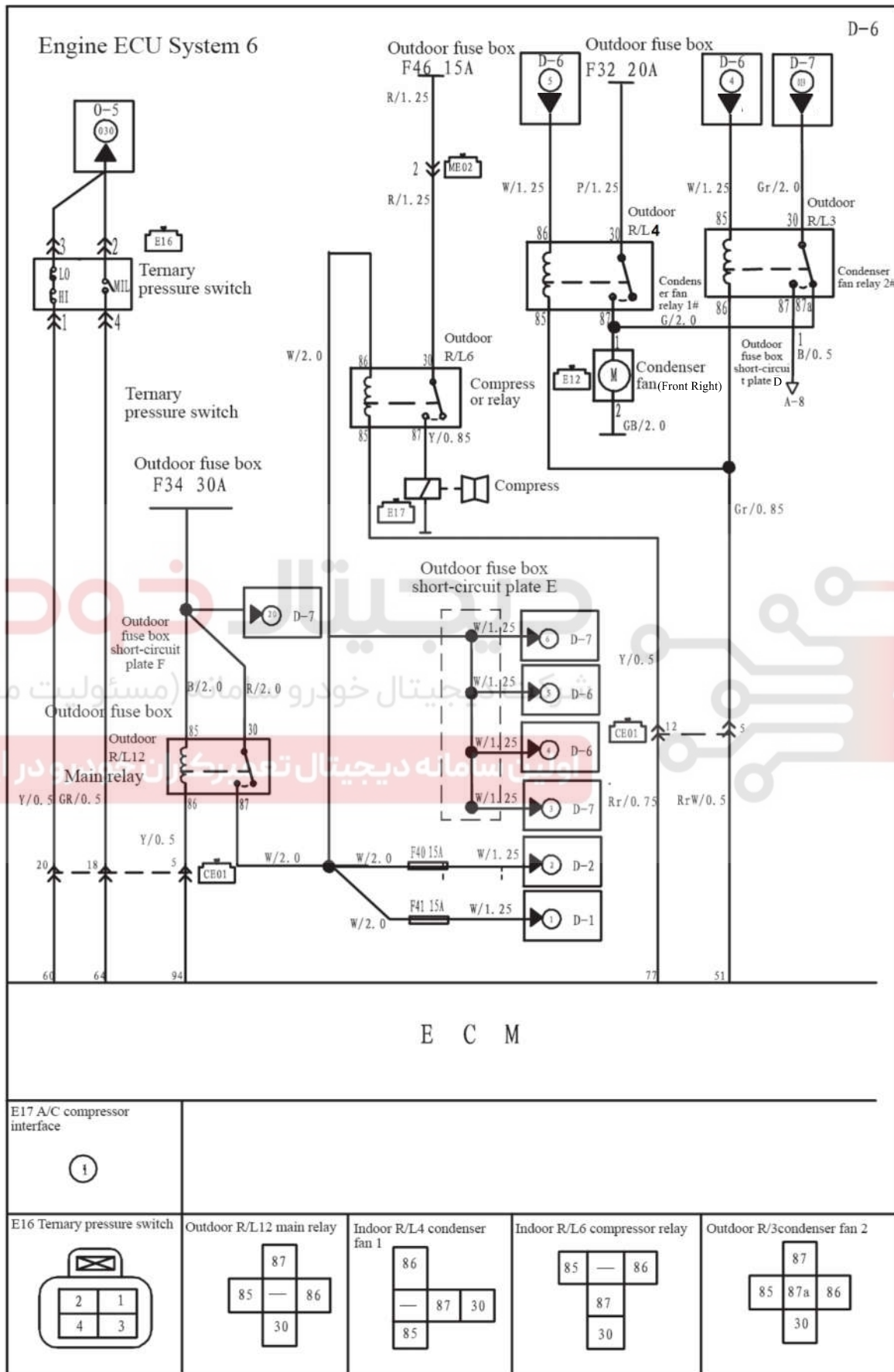


Engine ECU System 5- Electronic throttle, Accelerator pedal sensor

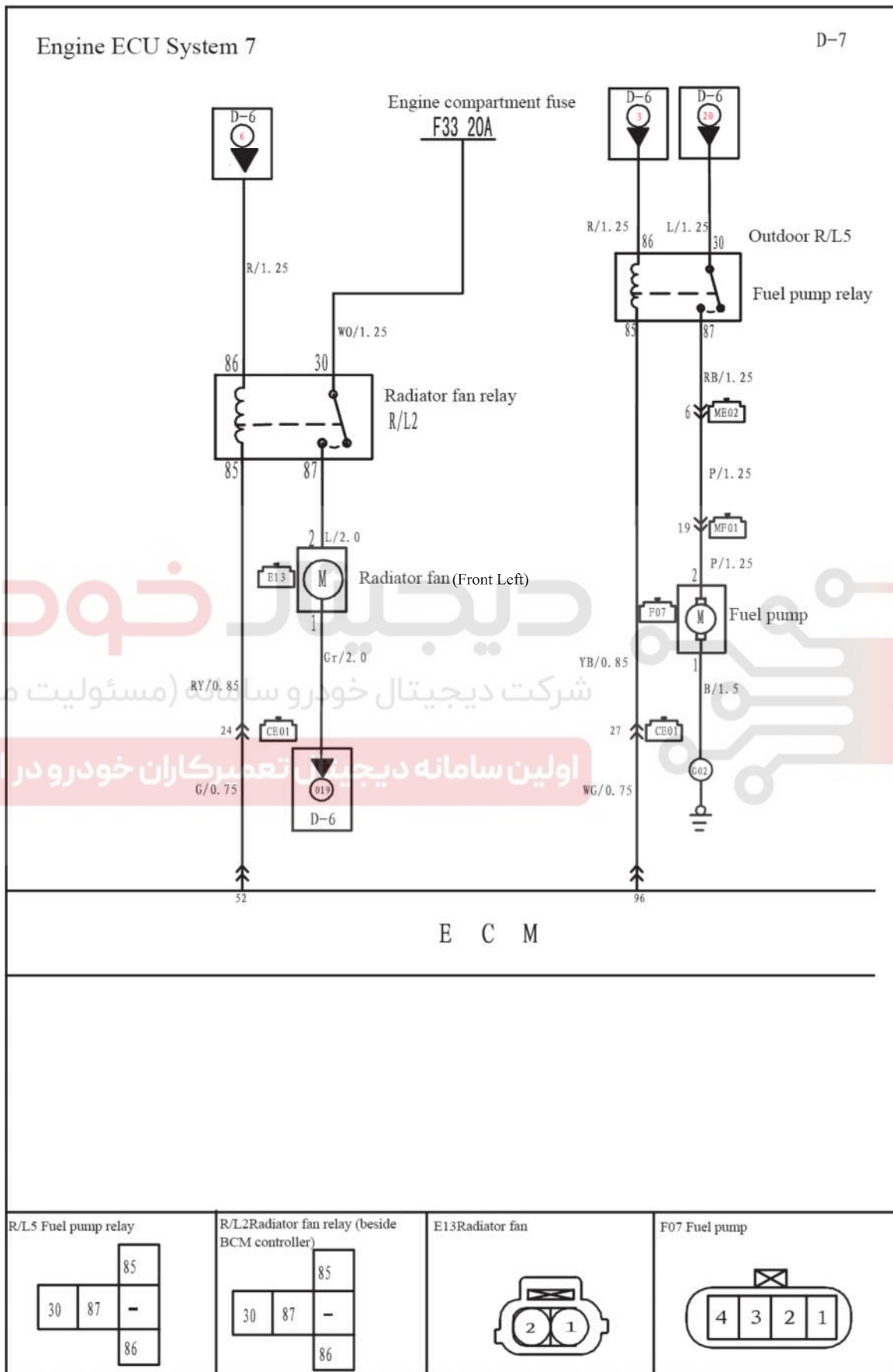
D-5

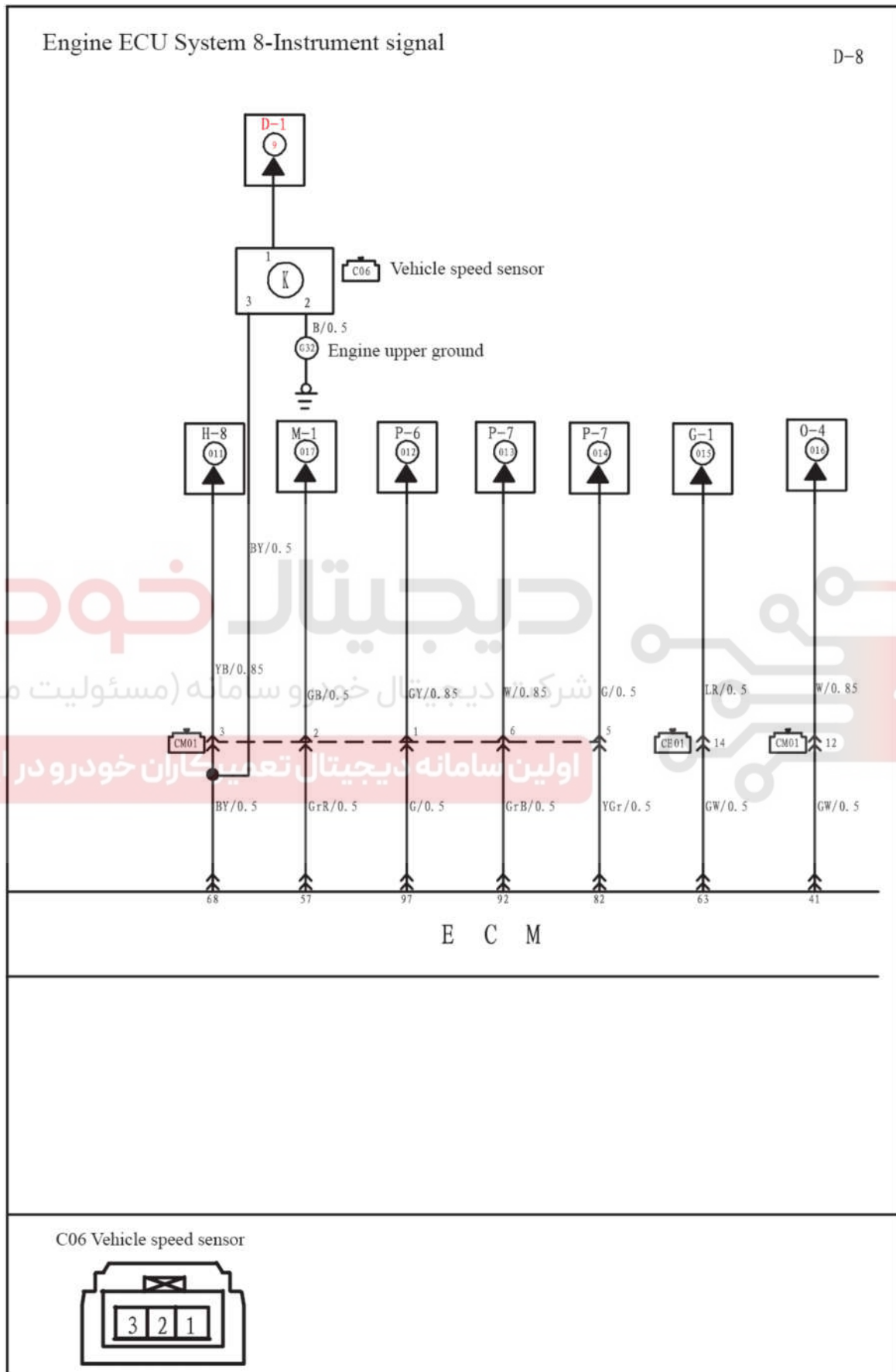


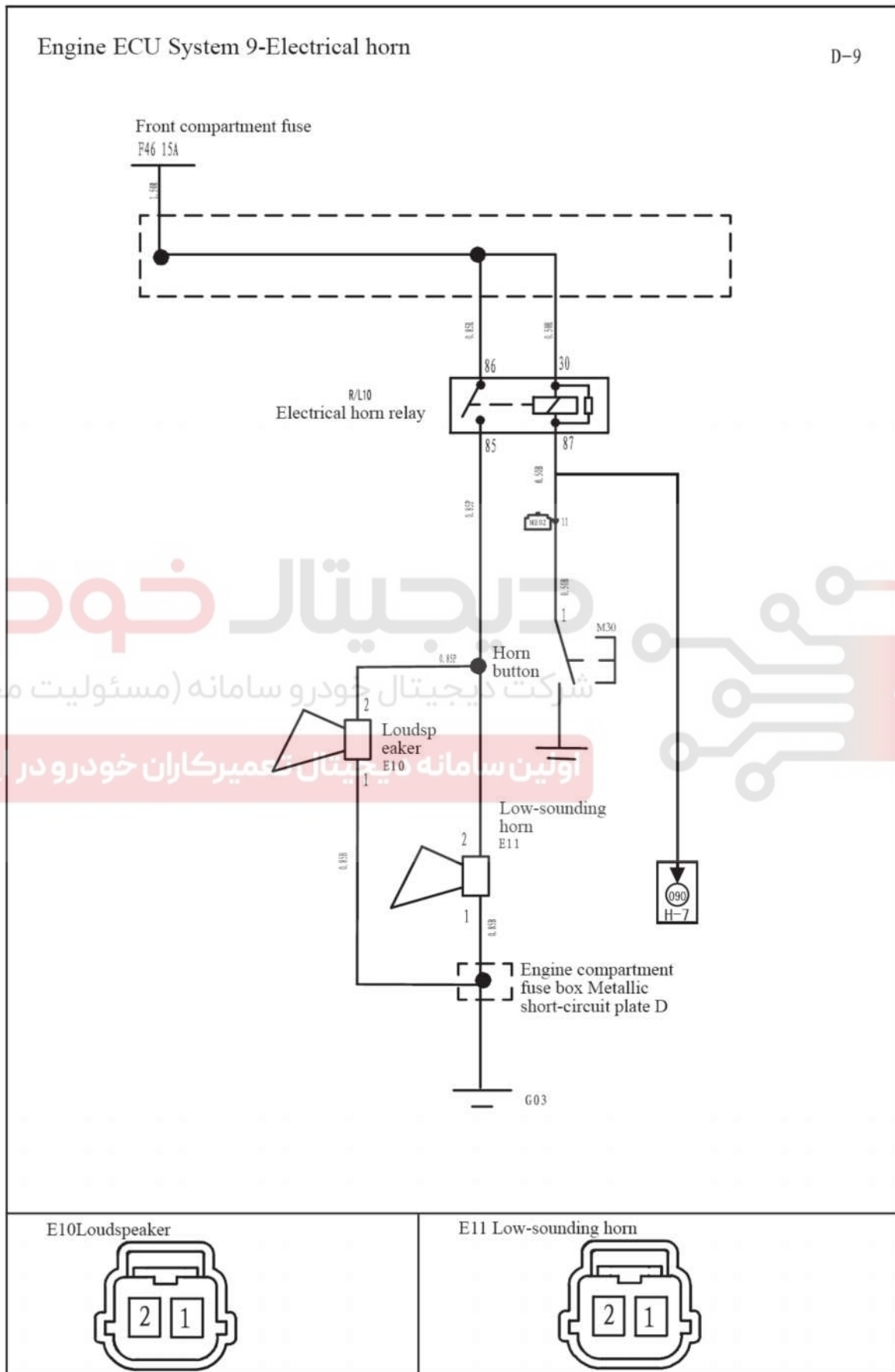
Wiring Diagrams



Wiring Diagrams







Power Distribution System-1

D-10

Engine compartment fuse box

Code of component	Name of component
C07	Front oxygen sensor
C04	Rear oxygen sensor
C01	Ignition coil
C18, C19, C20, C21	Nozzle
C22, C23, C24, C25	Crankshaft position sensor
C11	Camshaft position sensor
C16	Coolant temperature sensor
C15	VVT control valve
C26	Absolute pressure-temperature sensor
C17	Canister control valve
C14	Knock sensor
C13	Electronic throttle
C10	Combination instrument B
M08	Vehicle speed sensor
C06	Ternary pressure switch
E16	Low-sounding horn
E11	Loudspeaker
E10	Condenser fan
E12	Radiator fan
E13	Fuel pump
F07	

Connector

CE01
ME02
ME03

Ground point

02
03
31
32

