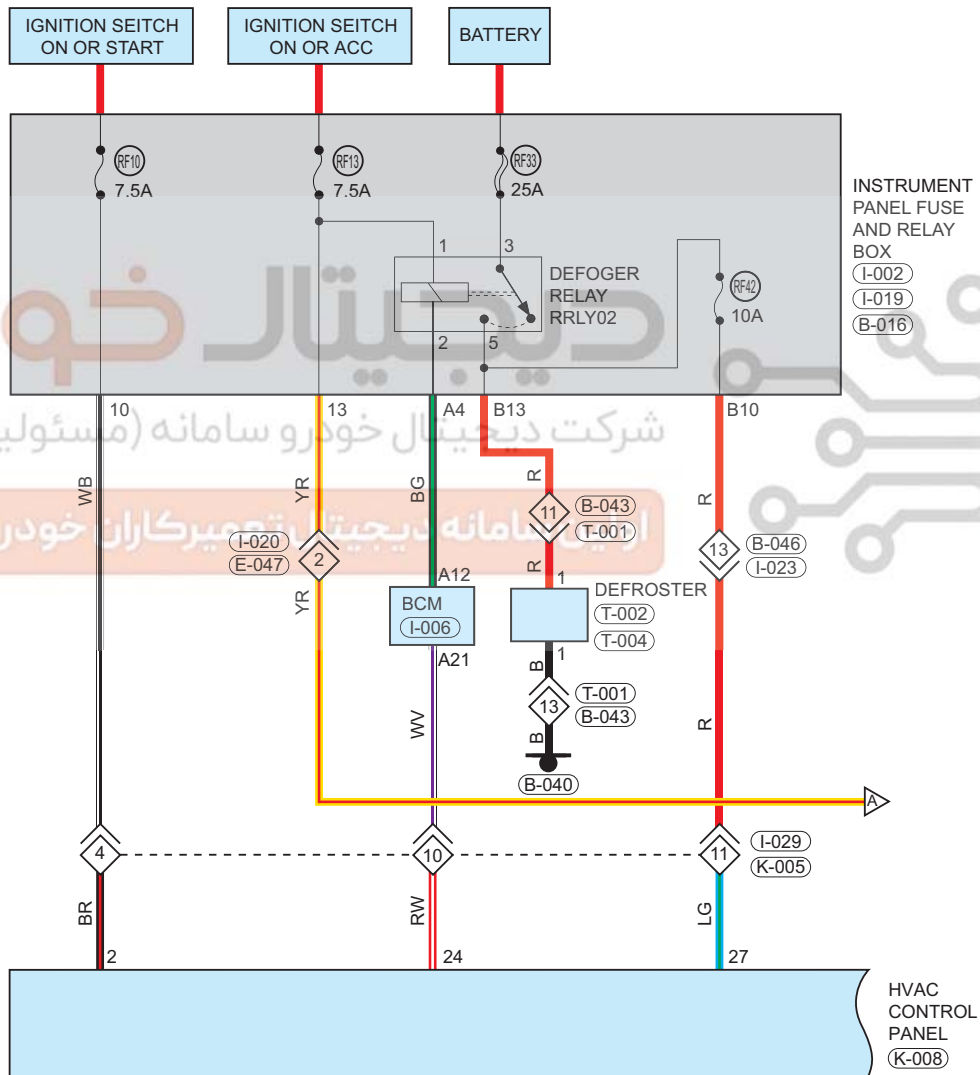


Air Conditioning

Electrical A/C System

Circuit Diagram (Page 1 of 3)



09 - SYSTEM CIRCUITS

Parts Location

Connector Code	See Page	Connector Code	See Page	Connector Code	See Page
I-002	08-13	I-019	08-13	B-016	08-16
I-006	08-13	T-002	08-24	T-004	08-24
B-040	08-16	K-008	08-25		

Fuse and Relay

Fuse/Relay	See Page	Fuse and Relay Box
RF10	06-13	Instrument Panel Fuse and Relay Box A
RF13	06-13	Instrument Panel Fuse and Relay Box A
RF33	06-18	Instrument Panel Fuse and Relay Box B
RF42	06-18	Instrument Panel Fuse and Relay Box B
Defogger Relay	06-18	Instrument Panel Fuse and Relay Box B

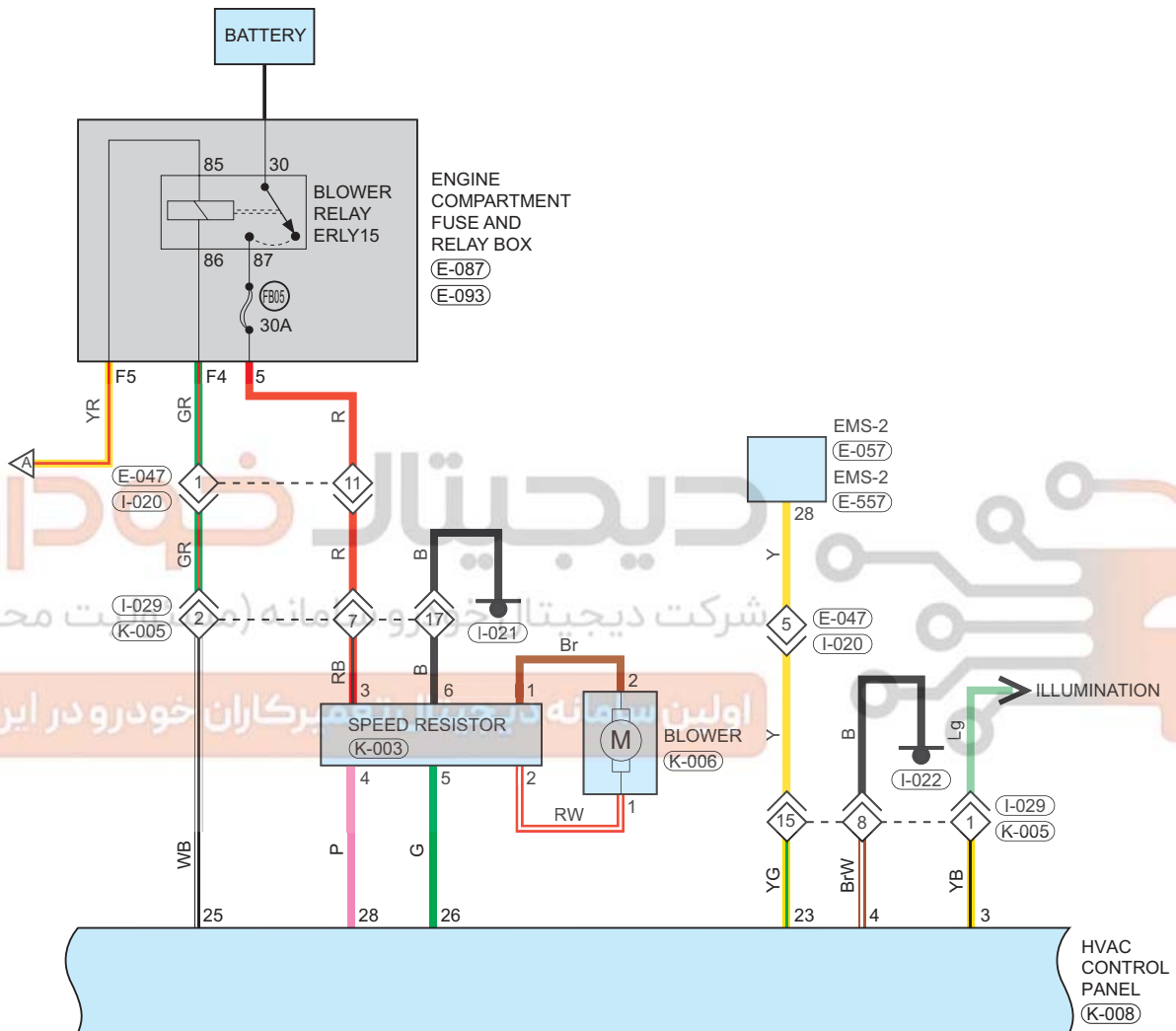
Location of Junction Connector

Connector Code	See Page	Connector Code	See Page	Connector Code	See Page
I-020, E-047	08-13, 08-7	B-043, T-001	08-16, 08-24	B-046, I-023	08-19, 08-13
I-029, K-005	08-13, 08-25				

Form of Connector

Connector Code	See Page	Connector Code	See Page	Connector Code	See Page
I-002	12-9	I-019	12-9	B-016	12-12
I-006	12-9	T-002	12-19	T-004	12-19
B-040	12-13	K-008	12-16	I-029, K-005	12-10
I-020, E-047	12-9	B-043, T-001	12-13	B-046, I-023	12-13

Circuit Diagram (Page 2 of 3)



09 - SYSTEM CIRCUITS

Parts Location

Connector Code	See Page	Connector Code	See Page	Connector Code	See Page
E-087	08-7	E-093	08-7	I-021	08-13
K-003	08-25	K-006	08-25	E-057	08-7
I-022	08-13	K-008	08-25	E-557	08-10

Fuse and Relay

Fuse/Relay	See Page	Fuse and Relay Box
FB05	06-2	Power Fuse Box
Blower Relay	06-3	Engine Compartment Fuse and Relay Box

Location of Junction Connector

Connector Code	See Page	Connector Code	See Page	Connector Code	See Page
E-047, I-020	08-7, 08-13	I-029, K-005	08-13, 08-25		

Form of Connector

Connector Code	See Page	Connector Code	See Page	Connector Code	See Page
E-087	12-5	E-093	12-5	I-021	12-10
K-003	12-16	K-006	12-16	E-057	12-4
I-022	12-10	K-008	12-16	E-557	12-7
I-029, K-005	12-10	E-047, I-020	12-3		

Circuit Diagram (Page 3 of 3)

