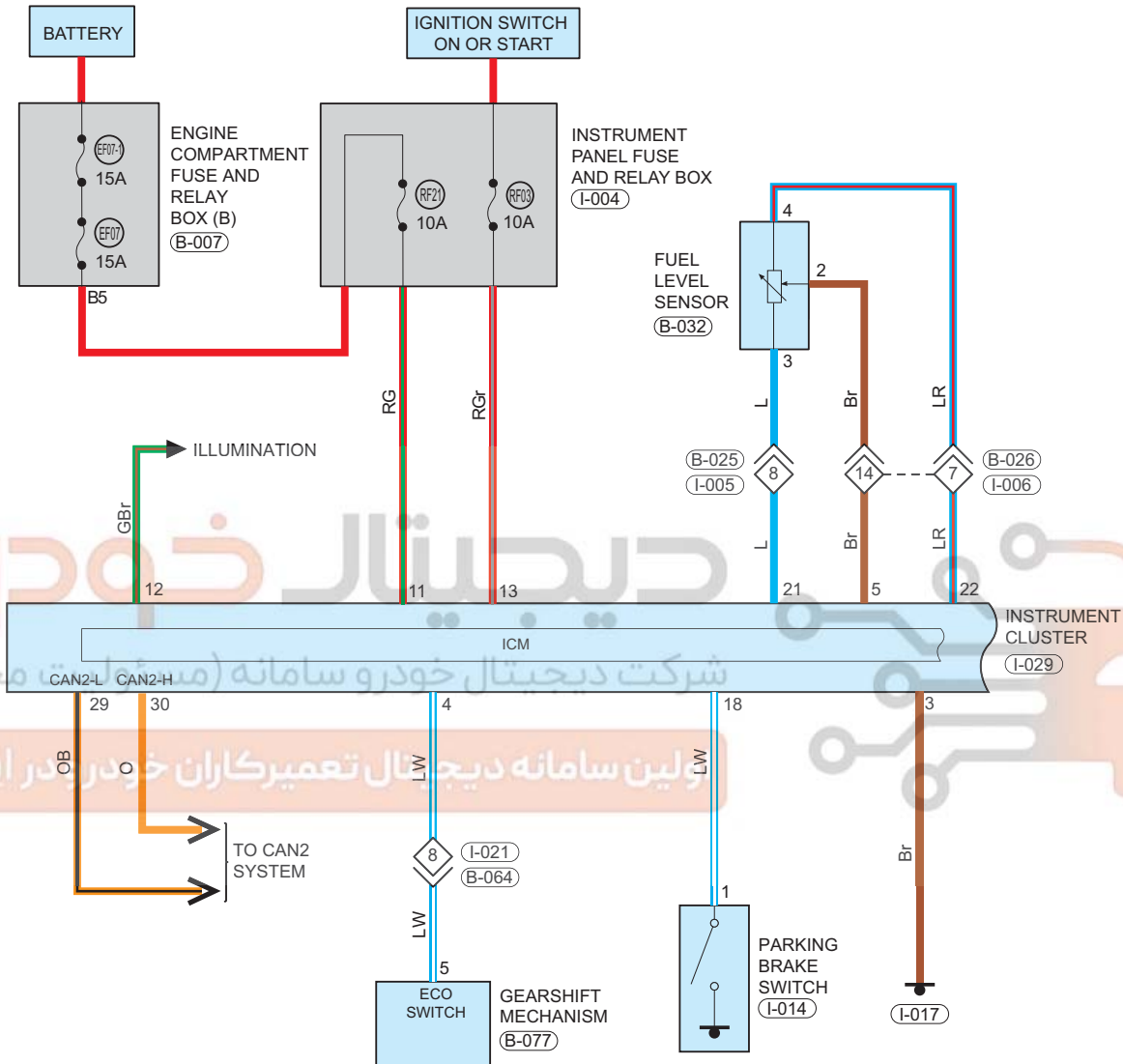


Instrument Cluster

Circuit Diagram (Page 1 of 2)



09 - SYSTEM CIRCUITS

Parts Location

Connector Code	See Page	Connector Code	See Page	Connector Code	See Page
I-004	08-8	I-014	08-8	I-029	08-8
B-007	08-11	B-032	08-11	B-077	08-11

Fuse and Relay

Fuse/Relay	See Page	Fuse and Relay Box
RF03	06-13	Instrument Panel Fuse and Relay Box
RF21	06-13	Instrument Panel Fuse and Relay Box
EF-07	06-4	Engine Compartment Fuse and Relay Box
EF07-1	06-4	Engine Compartment Fuse and Relay Box

Location of Junction Connector

Connector Code	See Page	Connector Code	See Page	Connector Code	See Page
B-025, I-005	08-11, 08-8	B-026, I-006	08-11, 08-8	B-064, I-021	08-11, 08-8

Form of Connector

Connector Code	See Page	Connector Code	See Page	Connector Code	See Page
I-004	12-4	I-014	12-4	I-029	12-5
B-007	12-6	B-032	12-7	B-077	12-9
B-025, I-005	12-6, 12-4	B-026, I-006	12-7, 12-4	B-064, I-021	12-9, 12-5

Circuit Diagram (Page 2 of 2)

