

# SECTION **TM**

## TRANSAXLE & TRANSMISSION

### CONTENTS

<b>CVT: RE0F09B</b>	
<b>FEATURES OF NEW MODEL</b> .....	5
<b>APPLICATION NOTICE</b> .....	5
How to Check Vehicle Type .....	5
<b>BASIC INSPECTION</b> .....	6
<b>DIAGNOSIS AND REPAIR WORK FLOW</b> .....	6
Work Flow .....	6
Diagnostic Work Sheet .....	7
<b>INSPECTION AND ADJUSTMENT</b> .....	9
<b>ADDITIONAL SERVICE WHEN REPLACING CONTROL UNIT</b> .....	9
ADDITIONAL SERVICE WHEN REPLACING CONTROL UNIT : Precaution for TCM and CVT Assembly Replacement .....	9
<b>FUNCTION DIAGNOSIS</b> .....	10
<b>CVT SYSTEM</b> .....	10
System Diagram .....	10
Component Parts Location .....	11
<b>MECHANICAL SYSTEM</b> .....	13
Cross-Sectional View .....	13
System Diagram .....	14
System Description .....	14
Component Parts Location .....	15
Component Description .....	16
<b>HYDRAULIC CONTROL SYSTEM</b> .....	18
System Diagram .....	18
System Description .....	18
Component Parts Location .....	20
Component Description .....	21
<b>CONTROL SYSTEM</b> .....	23
System Diagram .....	23
System Description .....	23
Component Parts Location .....	25
Component Description .....	26
<b>LOCK-UP AND SELECT CONTROL SYSTEM</b> .....	28
System Diagram .....	28
System Description .....	28
Component Parts Location .....	29
Component Description .....	30
<b>SHIFT CONTROL SYSTEM</b> .....	32
System Diagram .....	32
System Description .....	32
Component Parts Location .....	34
Component Description .....	35
<b>SHIFT LOCK SYSTEM</b> .....	37
System Description .....	37
Component Parts Location .....	38
Component Description .....	38
<b>ON BOARD DIAGNOSTIC (OBD) SYSTEM</b> .....	39
Diagnosis Description .....	39
<b>DIAGNOSIS SYSTEM (TCM)</b> .....	41
CONSULT-III Function (TRANSMISSION) .....	41
Diagnostic Tool Function .....	44
<b>COMPONENT DIAGNOSIS</b> .....	45
<b>U1000 CAN COMM CIRCUIT</b> .....	45
Description .....	45
DTC Logic .....	45
Diagnosis Procedure .....	45
<b>P0615 START SIGNAL</b> .....	46
Description .....	46
DTC Logic .....	46
Diagnosis Procedure .....	46
<b>P0703 STOP LAMP SWITCH</b> .....	48
Description .....	48

DTC Logic .....	48	Component Inspection [Pressure Control Solenoid Valve A (Line Pressure Solenoid Valve)] .....	71
Diagnosis Procedure .....	48		
Component Inspection (Stop Lamp Switch) .....	49		
<b>P0705 PARK/NEUTRAL POSITION SWITCH...</b>	<b>51</b>	<b>P0746 PRESSURE CONTROL SOLENOID A PERFORMANCE (LINE PRESSURE SOLENOID VALVE) .....</b>	<b>72</b>
Description .....	51	Description .....	72
DTC Logic .....	51	DTC Logic .....	72
Diagnosis Procedure .....	51	Diagnosis Procedure .....	72
Component Inspection .....	52	Component Inspection [Pressure Control Solenoid Valve A (Line Pressure Solenoid Valve)] .....	73
<b>P0710 CVT FLUID TEMPERATURE SENSOR</b>	<b>54</b>	<b>P0776 PRESSURE CONTROL SOLENOID B PERFORMANCE (SEC PRESSURE SOLENOID VALVE) .....</b>	<b>74</b>
Description .....	54	Description .....	74
DTC Logic .....	54	DTC Logic .....	74
Diagnosis Procedure .....	54	Diagnosis Procedure .....	74
Component Inspection (CVT Fluid Temperature Sensor) .....	55	Component Inspection [Pressure Control Solenoid Valve A (Line Pressure Solenoid Valve)] .....	75
<b>P0715 INPUT SPEED SENSOR (PRI SPEED SENSOR) .....</b>	<b>56</b>	Component Inspection [Pressure Control Solenoid Valve B (Secondary Pressure Solenoid Valve)] .....	75
Description .....	56		
DTC Logic .....	56	<b>P0778 PRESSURE CONTROL SOLENOID B ELECTRICAL (SEC PRESSURE SOLENOID VALVE) .....</b>	<b>76</b>
Diagnosis Procedure .....	56	Description .....	76
		DTC Logic .....	76
<b>P0720 VEHICLE SPEED SENSOR CVT (SECONDARY SPEED SENSOR) .....</b>	<b>59</b>	Diagnosis Procedure .....	76
Description .....	59	Component Inspection [Pressure Control Solenoid Valve B (Secondary Pressure Solenoid Valve)] .....	77
DTC Logic .....	59		
Diagnosis Procedure .....	59	<b>P0826 MANUAL MODE SWITCH .....</b>	<b>78</b>
<b>P0725 ENGINE SPEED SIGNAL .....</b>	<b>63</b>	Description .....	78
Description .....	63	DTC Logic .....	78
DTC Logic .....	63	Diagnosis Procedure .....	78
Diagnosis Procedure .....	63	Component Inspection (Manual Mode Switch) .....	80
<b>P0730 BELT DAMAGE .....</b>	<b>64</b>	<b>P0840 TRANSMISSION FLUID PRESSURE SENSOR A (SEC PRESSURE SENSOR) .....</b>	<b>81</b>
Description .....	64	Description .....	81
DTC Logic .....	64	DTC Logic .....	81
Diagnosis Procedure .....	64	Diagnosis Procedure .....	81
<b>P0740 TORQUE CONVERTER CLUTCH SOLENOID VALVE .....</b>	<b>66</b>	<b>P0841 PRESSURE SENSOR FUNCTION .....</b>	<b>84</b>
Description .....	66	Description .....	84
DTC Logic .....	66	DTC Logic .....	84
Diagnosis Procedure .....	66	Diagnosis Procedure .....	84
Component Inspection (Torque Converter Clutch Solenoid Valve) .....	67	Component Inspection [Pressure Control Solenoid Valve A (Line Pressure Solenoid Valve)] .....	85
<b>P0744 A/T TCC S/V FUNCTION (LOCK-UP) ...</b>	<b>68</b>	Component Inspection [Pressure Control Solenoid Valve B (Secondary Pressure Solenoid Valve)] .....	85
Description .....	68		
DTC Logic .....	68	<b>P0845 TRANSMISSION FLUID PRESSURE SENSOR B (PRI PRESSURE SENSOR) .....</b>	<b>87</b>
Diagnosis Procedure .....	68	Description .....	87
Component Inspection (Torque Converter Clutch Solenoid Valve) .....	69	DTC Logic .....	87
Component Inspection (Lock-up Select Solenoid Valve) .....	69		
<b>P0745 LINE PRESSURE SOLENOID VALVE...</b>	<b>70</b>		
Description .....	70		
DTC Logic .....	70		
Diagnosis Procedure .....	70		

Diagnosis Procedure .....	87	Diagnosis Procedure .....	107
<b>P0868 SECONDARY PRESSURE DOWN</b> .....	<b>90</b>	<b>SHIFT POSITION INDICATOR CIRCUIT</b> .....	<b>109</b>
Description .....	90	<b>SPORT MODE</b> .....	<b>109</b>
DTC Logic .....	90	SPORT MODE : Description .....	109
Diagnosis Procedure .....	90	SPORT MODE : Component Function Check .....	109
Component Inspection [Pressure Control Solenoid Valve A (Line Pressure Solenoid Valve)] .....	91	SPORT MODE : Diagnosis Procedure .....	109
Component Inspection [Pressure Control Solenoid Valve B (Secondary Pressure Solenoid Valve)] .....	91	<b>MANUAL MODE</b> .....	<b>109</b>
<b>P1701 TRANSMISSION CONTROL MODULE (POWER SUPPLY)</b> .....	<b>92</b>	MANUAL MODE : Description .....	109
Description .....	92	MANUAL MODE : Component Function Check .....	109
DTC Logic .....	92	MANUAL MODE : Diagnosis Procedure .....	110
Diagnosis Procedure .....	92	<b>SHIFT LOCK SYSTEM</b> .....	<b>111</b>
<b>P1705 THROTTLE POSITION SENSOR</b> .....	<b>95</b>	Description .....	111
Description .....	95	Wiring Diagram - CVT SHIFT LOCK SYSTEM - .....	111
DTC Logic .....	95	Component Function Check .....	113
Diagnosis Procedure .....	95	Diagnosis Procedure .....	114
<b>P1722 ESTM VEHICLE SPEED SIGNAL</b> .....	<b>96</b>	Component Inspection (Stop Lamp Switch) .....	116
Description .....	96	Component Inspection (Shift Lock Solenoid) .....	116
DTC Logic .....	96	<b>SPORT MODE SWITCH</b> .....	<b>117</b>
Diagnosis Procedure .....	96	Description .....	117
<b>P1723 CVT SPEED SENSOR FUNCTION</b> .....	<b>98</b>	Component Function Check .....	117
Description .....	98	Diagnosis Procedure .....	117
DTC Logic .....	98	<b>ECU DIAGNOSIS</b> .....	<b>119</b>
Diagnosis Procedure .....	98	<b>TCM</b> .....	<b>119</b>
<b>P1726 ELECTRIC THROTTLE CONTROL SYSTEM</b> .....	<b>100</b>	Reference Value .....	119
Description .....	100	Wiring Diagram - CVT CONTROL SYSTEM (LHD MODELS) - .....	124
DTC Logic .....	100	Wiring Diagram - CVT CONTROL SYSTEM (RHD MODELS) - .....	129
Diagnosis Procedure .....	100	Fail-safe .....	133
<b>P1740 LOCK-UP SELECT SOLENOID VALVE</b> .....	<b>101</b>	DTC Inspection Priority Chart .....	134
Description .....	101	DTC Index .....	134
DTC Logic .....	101	<b>SYMPTOM DIAGNOSIS</b> .....	<b>136</b>
Diagnosis Procedure .....	101	<b>SYSTEM SYMPTOM</b> .....	<b>136</b>
Component Inspection (Lock-up Select Solenoid Valve) .....	102	Symptom Table .....	136
<b>P1745 LINE PRESSURE CONTROL</b> .....	<b>103</b>	<b>PRECAUTION</b> .....	<b>148</b>
Description .....	103	<b>PRECAUTIONS</b> .....	<b>148</b>
DTC Logic .....	103	Precaution for Supplemental Restraint System (SRS) "AIR BAG" and "SEAT BELT PRE-TENSIONER" .....	148
Diagnosis Procedure .....	103	Precaution Necessary for Steering Wheel Rotation after Battery Disconnect .....	148
<b>P1777 STEP MOTOR</b> .....	<b>104</b>	Precaution for Procedure without Cowl Top Cover .....	149
Description .....	104	Precaution for On Board Diagnosis (OBD) System of CVT and Engine .....	149
DTC Logic .....	104	Precaution for TCM and CVT Assembly Replacement .....	149
Diagnosis Procedure .....	104	Removal and Installation Procedure for CVT Unit Connector .....	149
Component Inspection (Step Motor) .....	105	Precaution .....	151
<b>P1778 STEP MOTOR - FUNCTION</b> .....	<b>107</b>	Service Notice or Precaution .....	151
Description .....	107		
DTC Logic .....	107		

ATFTEMP COUNT Conversion Table .....	152	Exploded View .....	176
<b>PREPARATION .....</b>	<b>153</b>	Removal and Installation .....	176
<b>PREPARATION .....</b>	<b>153</b>	Inspection .....	177
Special Service Tools .....	153	<b>SECONDARY SPEED SENSOR .....</b>	<b>178</b>
Commercial Service Tools .....	153	Exploded View .....	178
<b>ON-VEHICLE MAINTENANCE .....</b>	<b>155</b>	Removal and Installation .....	178
<b>CVT FLUID .....</b>	<b>155</b>	Inspection .....	178
Inspection .....	155	<b>DIFFERENTIAL SIDE OIL SEAL .....</b>	<b>179</b>
Changing .....	156	Exploded View .....	179
<b>STALL TEST .....</b>	<b>157</b>	Removal and Installation .....	179
Inspection and Judgment .....	157	Inspection .....	180
<b>LINE PRESSURE TEST .....</b>	<b>159</b>	<b>AIR BREATHER HOSE .....</b>	<b>181</b>
Inspection and Judgment .....	159	Exploded View .....	181
<b>ROAD TEST .....</b>	<b>161</b>	Removal and Installation .....	181
Description .....	161	<b>FLUID COOLER SYSTEM .....</b>	<b>182</b>
Check before Engine Is Started .....	161	<b>WITH FLUID COOLER .....</b>	<b>182</b>
Check at Idle .....	161	WITH FLUID COOLER : Exploded View .....	182
Cruise Test .....	162	WITH FLUID COOLER : Removal and Installation .....	183
<b>CVT POSITION .....</b>	<b>166</b>	WITH FLUID COOLER : Inspection .....	185
<b>SPORT MODE .....</b>	<b>166</b>	<b>WITHOUT FLUID COOLER .....</b>	<b>185</b>
SPORT MODE : Inspection and Adjustment .....	166	WITHOUT FLUID COOLER : Exploded View .....	186
<b>MANUAL MODE .....</b>	<b>166</b>	WITHOUT FLUID COOLER : Removal and Installation .....	186
MANUAL MODE : Inspection and Adjustment .....	166	WITHOUT FLUID COOLER : Inspection .....	187
<b>ON-VEHICLE REPAIR .....</b>	<b>168</b>	<b>REMOVAL AND INSTALLATION .....</b>	<b>189</b>
<b>TRANSMISSION CONTROL MODULE .....</b>	<b>168</b>	<b>TRANSAXLE ASSEMBLY .....</b>	<b>189</b>
Exploded View .....	168	Exploded View .....	189
Removal and Installation .....	168	Removal and Installation .....	189
Adjustment .....	169	Inspection and Adjustment .....	191
<b>CONTROL DEVICE .....</b>	<b>170</b>	<b>DISASSEMBLY AND ASSEMBLY .....</b>	<b>193</b>
<b>SPORT MODE .....</b>	<b>170</b>	<b>TORQUE CONVERTER AND CONVERTER HOUSING OIL SEAL .....</b>	<b>193</b>
SPORT MODE : Exploded View .....	170	Exploded View .....	193
SPORT MODE : Removal and Installation .....	170	Disassembly .....	193
SPORT MODE : Inspection and Adjustment .....	171	Assembly .....	193
<b>MANUAL MODE .....</b>	<b>172</b>	Inspection .....	194
MANUAL MODE : Exploded View .....	172	<b>SERVICE DATA AND SPECIFICATIONS (SDS) .....</b>	<b>195</b>
MANUAL MODE : Removal and Installation .....	172	<b>SERVICE DATA AND SPECIFICATIONS (SDS) .....</b>	<b>195</b>
MANUAL MODE : Inspection and Adjustment .....	173	General Specification .....	195
<b>CONTROL CABLE .....</b>	<b>174</b>	Vehicle Speed When Shifting Gears .....	195
Exploded View .....	174	Stall Speed .....	195
Removal and Installation .....	174	Line Pressure .....	195
Inspection and Adjustment .....	175	Torque Converter .....	196
<b>OIL PAN .....</b>	<b>176</b>		



## APPLICATION NOTICE

&lt; FEATURES OF NEW MODEL &gt;

[CVT: RE0F09B]

## FEATURES OF NEW MODEL

## APPLICATION NOTICE

## How to Check Vehicle Type

INFOID:000000006181448

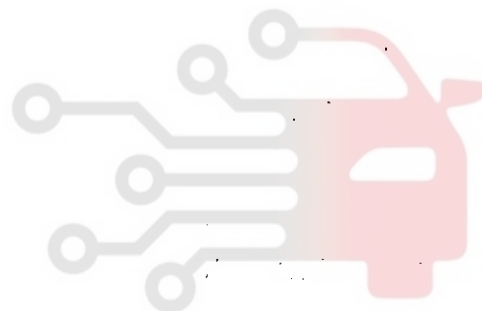
Check the vehicle type to confirm the service information in TM section.

Vehicle type	Service information
For Australia and New Zealand	With OBD
Except for Australia and New Zealand	Without OBD

# دیجیتال خودرو

شرکت دیجیتال خودرو سامانه (مسئولیت محدود)

اولین سامانه دیجیتال تعمیرکاران خودرو در ایران



DIAGNOSIS AND REPAIR WORK FLOW

< BASIC INSPECTION >

[CVT: RE0F09B]

**BASIC INSPECTION**  
**DIAGNOSIS AND REPAIR WORK FLOW**

Work Flow

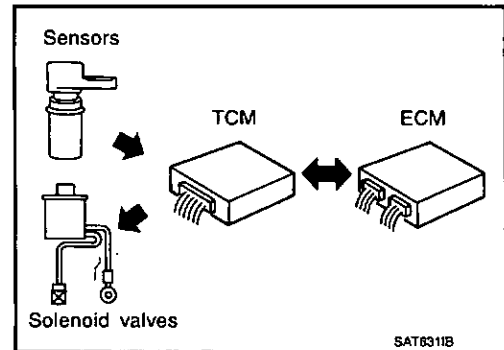
INFOID:000000006191447

**INTRODUCTION**

The TCM receives signals from the vehicle speed sensor and PNP switch. Then it provides shift control or lock-up control via CVT solenoid valves.

The TCM also communicates with the ECM by means of signals sent from sensing elements used with the OBD-related parts of the CVT system for malfunction-diagnostic purposes. The TCM is capable of diagnosing malfunctioning parts while the ECM can store malfunctions in its memory. (With OBD)

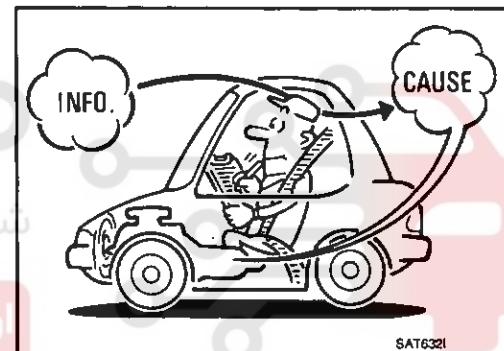
Input and output signals must always be correct and stable in the operation of the CVT system. The CVT system must be in good operating condition and be free of valve seizure, solenoid valve malfunction, etc.



It is much more difficult to diagnose a malfunction that occurs intermittently rather than continuously. Most intermittent malfunctions are caused by poor electric connections or improper wiring. In this case, careful checking of suspected circuits may help prevent the replacement of good parts.

A visual check only may not find the cause of the malfunctions. A road test with CONSULT-III (or GST\*) or a circuit tester connected should be performed. Follow the "DETAILED FLOW".

\*: With OBD

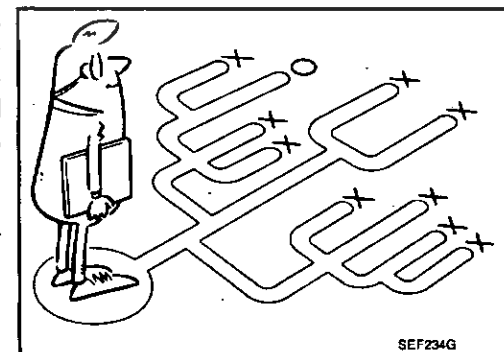


اولین سامانه دیجیتال تعمیرکاران خودرو در ایران

Before undertaking actual checks, take a few minutes to talk with a customer who approaches with a driveability complaint. The customer can supply good information about such malfunctions, especially intermittent ones. Find out what symptoms are present and under what conditions they occur. A "Diagnostic Work Sheet" as shown on the example (Refer to TM-7) should be used.

Start your diagnosis by looking for "conventional" malfunctions first. This will help troubleshoot driveability malfunctions on an electronically controlled engine vehicle.

Also check related Service Bulletins.



**DETAILED FLOW**

**1. COLLECT THE INFORMATION FROM THE CUSTOMER**

Get the detailed information from the customer about the symptom (the condition and the environment when the incident/malfunction occurred) using the diagnosis work sheet. Refer to TM-7, "Diagnostic Work Sheet".

>> GO TO 2.

**2. CHECK SYMPTOM 1**

Check the following items based on the information obtained from the customer.

- Fail-safe. Refer to TM-133, "Fail-safe".
- CVT fluid inspection. Refer to TM-155, "Inspection".
- Line pressure test. Refer to TM-159, "Inspection and Judgment".

DIAGNOSIS AND REPAIR WORK FLOW

< BASIC INSPECTION >

[CVT: RE0F09B]

- Stall test. Refer to TM-157, "Inspection and Judgment".

>> GO TO 3.

3. CHECK DTC

1. Check DTC.
2. Perform the following procedure if DTC is detected.
  - Record DTC.
  - Erase DTC. Refer to TM-39, "Diagnosis Description".

Is any DTC detected?

- YES >> GO TO 4.
- NO >> GO TO 5.

4. PERFORM DIAGNOSTIC PROCEDURE

Perform "Diagnostic Procedure" for the displayed DTC. Repair detected items.

>> GO TO 5.

5. PERFORM DTC CONFIRMATION PROCEDURE

Perform "DTC CONFIRMATION PROCEDURE" for the displayed DTC.

Is DTC detected?

- YES >> GO TO 4.
- NO >> GO TO 6.

6. CHECK SYMPTOM 2

Confirm the symptom described by the customer.

Is any malfunction present?

- YES >> GO TO 7.
- NO >> INSPECTION END

7. ROAD TEST

Perform "ROAD TEST". Refer to TM-161, "Description".

>> GO TO 8.

8. CHECK SYMPTOM 3

Confirm the symptom described by the customer.

Is any malfunction present?

- YES >> GO TO 2.
- NO >> INSPECTION END

Diagnostic Work Sheet

INFOID:000000006191448

INFORMATION FROM CUSTOMER

KEY POINTS

- **WHAT**..... Vehicle & CVT model
- **WHEN**..... Date, Frequencies
- **WHERE**..... Road conditions
- **HOW**..... Operating conditions, Symptoms

Customer name MR/MS	Model & Year	VIN
Trans. Model	Engine	Mileage
Malfunction Date	Manuf. Date	In Service Date
Frequency	<input type="checkbox"/> Continuous <input type="checkbox"/> Intermittent ( times a day)	

DIAGNOSIS AND REPAIR WORK FLOW

< BASIC INSPECTION >

[CVT: RE0F09B]

Symptoms	<input type="checkbox"/> Vehicle does not move. ( <input type="checkbox"/> Any position <input type="checkbox"/> Particular position)	
	<input type="checkbox"/> No shift	
	<input type="checkbox"/> Lock-up malfunction	
	<input type="checkbox"/> Shift shock or slip ( <input type="checkbox"/> N → D <input type="checkbox"/> N → R <input type="checkbox"/> Lock-up <input type="checkbox"/> Any drive position)	
	<input type="checkbox"/> Noise or vibration	
	<input type="checkbox"/> No pattern select	
	<input type="checkbox"/> Others ( )	
Malfunction Indicator Lamp (MIL)*	<input type="checkbox"/> Continuously lit	<input type="checkbox"/> Not lit

\*: With OBD

DIAGNOSTIC WORK SHEET

1	<input type="checkbox"/> Read the item on cautions concerning fail-safe and understand the customer's complaint.		TM-133
2	<input type="checkbox"/> CVT fluid inspection, stall test and line pressure test		TM-155
	<input type="checkbox"/> CVT fluid inspection		
	<input type="checkbox"/> Leak (Repair leak location.) <input type="checkbox"/> State <input type="checkbox"/> Amount		
	<input type="checkbox"/> Stall test		
	<input type="checkbox"/> Torque converter one-way clutch <input type="checkbox"/> Reverse brake <input type="checkbox"/> Forward clutch <input type="checkbox"/> Steel belt		
	<input type="checkbox"/> Engine <input type="checkbox"/> Line pressure low <input type="checkbox"/> Primary pulley <input type="checkbox"/> Secondary pulley		TM-157 TM-159
	<input type="checkbox"/> Line pressure inspection - Suspected part:		
3	<input type="checkbox"/> Perform self-diagnosis.		TM-41
	Enter checks for detected items.		
4	<input type="checkbox"/> Perform road test.		TM-161
	4-1.	Check before engine is started	TM-161
	4-2.	Check at idle	TM-161
	4-3.	Cruise test	TM-162
	<input type="checkbox"/> Check malfunction phenomena to repair or replace malfunctioning part after completing all road tests.		TM-136
5	<input type="checkbox"/> Drive vehicle to check that the malfunction phenomenon has been resolved.		
6	<input type="checkbox"/> Erase the results of the self-diagnosis from the TCM and the ECM.*		TM-39, EC-106

\*: With OBD



INSPECTION AND ADJUSTMENT

< BASIC INSPECTION >

[CVT: RE0F09B]

INSPECTION AND ADJUSTMENT

ADDITIONAL SERVICE WHEN REPLACING CONTROL UNIT

ADDITIONAL SERVICE WHEN REPLACING CONTROL UNIT : Precaution for TCM and CVT Assembly Replacement

INFOID:000000006191449

CAUTION:

- Check if new data (Unit ID) are entered correctly after replacing CVT assembly and erasing data in TCM. (Connect CONSULT-III, and then turn ignition switch OFF.)
- When replacing CVT assembly or TCM, refer to the pattern table below and erase the EEPROM in the TCM if necessary.

EEPROM ERASING PATTERNS

CVT assembly	TCM	Erasing EEPROM in TCM	Remarks
Replaced	Replaced	Not required	Not required because the EEPROM in the TCM is in the default state. (CVT assembly must be replaced first.)
Not replaced	Replaced	Not required	Not required because the EEPROM in the TCM is in the default state.
Replaced	Not replaced	Required	Required because data has been written in the EEPROM in the TCM and because the TCM cannot write data from the ROM assembly in the transmission.

METHOD FOR ERASING THE EEPROM IN THE TCM

1. Turn ignition switch ON.
2. Shift selector lever to "R" position.
3. Perform "Self Diagnostic Results" in "TRANSMISSION".
4. Press the brake pedal and turn the brake switch ON.
5. Press the accelerator pedal (0.5/8 - 4/8 throttle) not to exceed the half, and hold it in the half or less open position. (This will set the closed throttle position signal to OFF and the wide open throttle position signal to OFF.)
6. Perform "ERASE".
7. Wait 3 seconds and then release the accelerator pedal.
8. Turn ignition switch OFF.

METHOD FOR WRITING DATA FROM THE ROM ASSEMBLY IN THE TRANSAXLE

In the following procedure, the TCM reads data from the ROM assembly and writes it to the EEPROM in the TCM.

1. Erase the EEPROM in the TCM.
2. Shift selector lever to "P" position.
3. Turn ignition switch ON.

CHECK METHOD

- Standard: About 2 seconds after the ignition switch ON, the CVT indicator lamp lights up for 2 seconds.
- Non-standard: Even after the ignition switch ON, the CVT indicator lamp does not light up after 2 seconds or illuminates immediately.

CAUTION:

Perform in the "P" or "N" position.

Action for Non-standard

- Replace the CVT assembly.
- Replace the TCM.

CVT SYSTEM

< FUNCTION DIAGNOSIS >

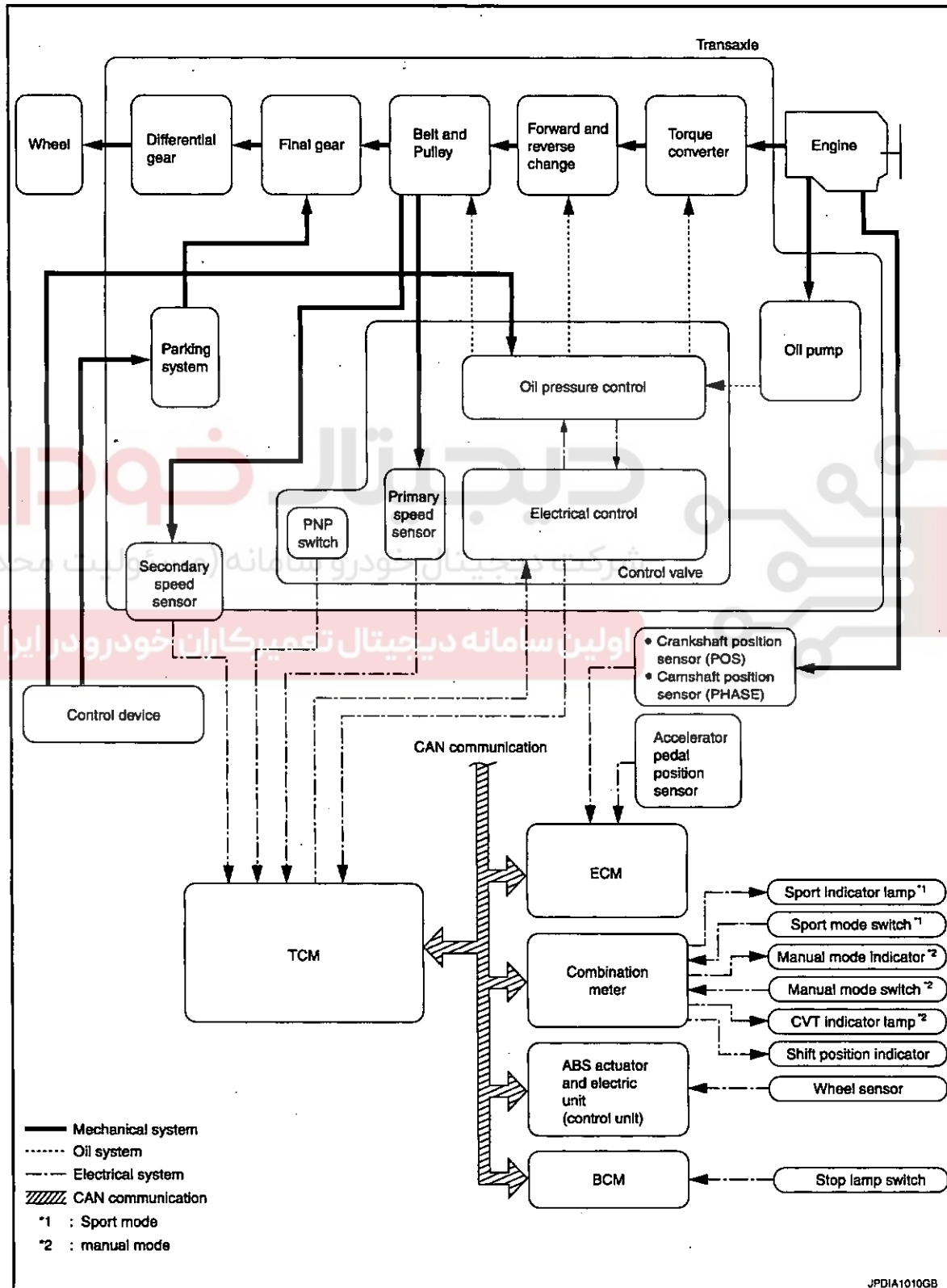
[CVT: RE0F09B]

FUNCTION DIAGNOSIS

CVT SYSTEM

System Diagram

INFOID:000000006191450



JPDIA1010GB

CVT SYSTEM

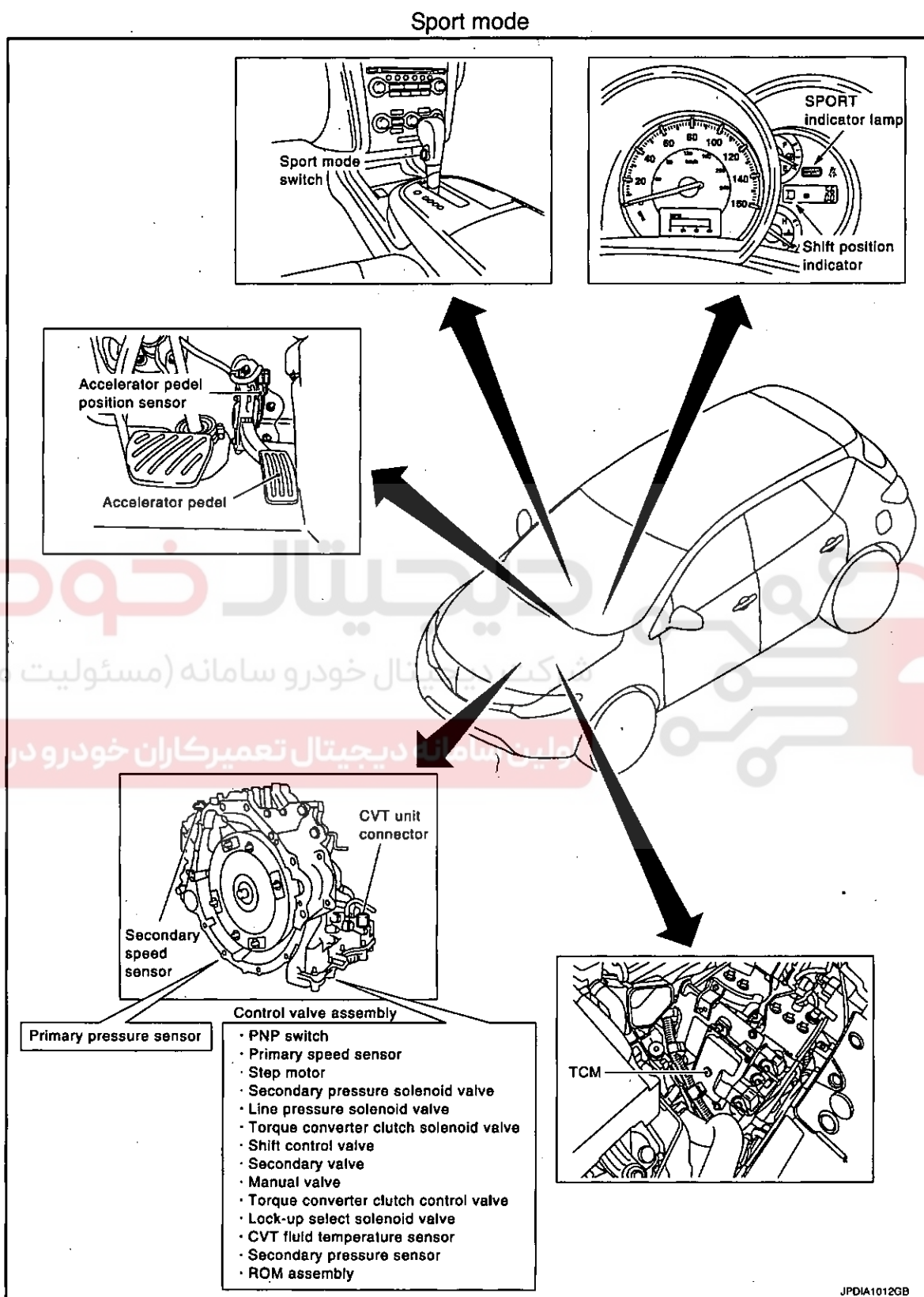
< FUNCTION DIAGNOSIS >

[CVT: RE0F09B]

Component Parts Location

INFOID:000000006191451

A  
B  
C  
TM  
E  
F  
G  
H  
I  
J  
K  
L  
M  
N  
O  
P

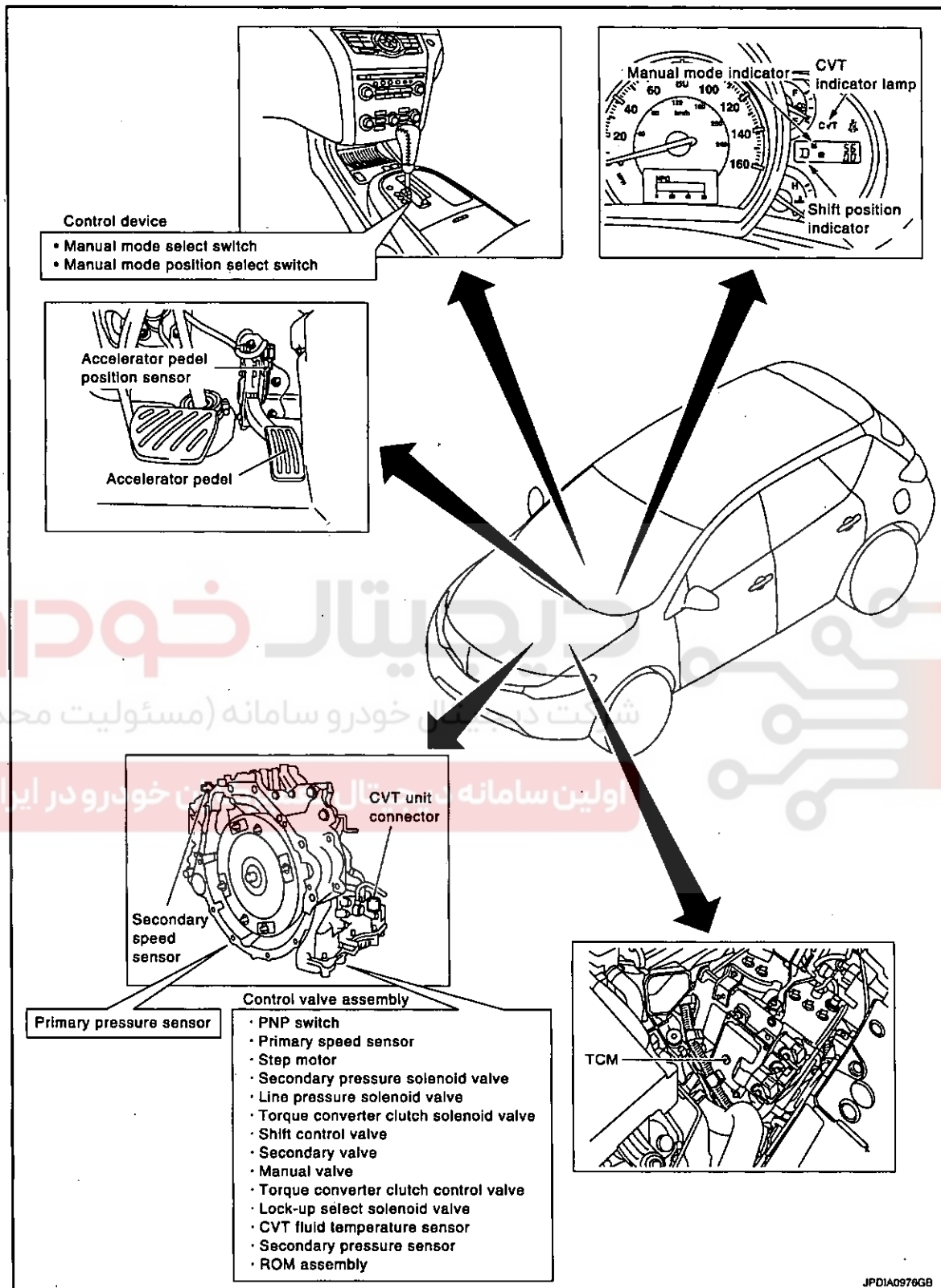


CVT SYSTEM

< FUNCTION DIAGNOSIS >

[CVT: RE0F09B]

Manual mode





MECHANICAL SYSTEM

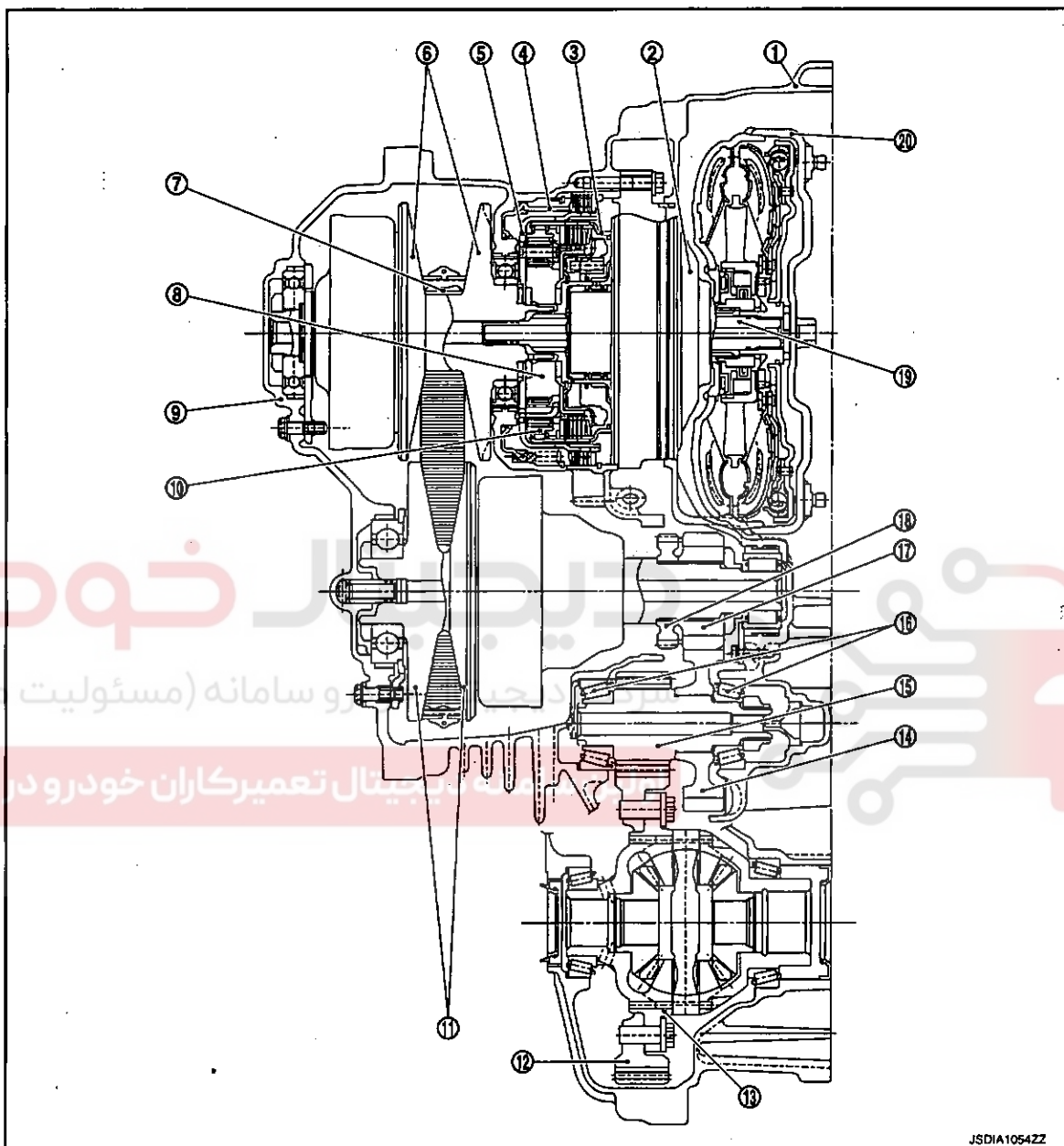
< FUNCTION DIAGNOSIS >

[CVT: RE0F09B]

MECHANICAL SYSTEM

Cross-Sectional View

INFOID:000000006181452



- |                          |                      |                    |
|--------------------------|----------------------|--------------------|
| 1. Converter housing     | 2. Oil pump          | 3. Forward clutch  |
| 4. Reverse brake         | 5. Planetary carrier | 6. Primary pulley  |
| 7. Steel belt            | 8. Sun gear          | 9. Side cover      |
| 10. Internal gear        | 11. Secondary pulley | 12. Final gear     |
| 13. Differential case    | 14. Idler gear       | 15. Reduction gear |
| 16. Taper roller bearing | 17. Output gear      | 18. Parking gear   |
| 19. Input shaft          | 20. Torque converter |                    |

JSDIA1054ZZ

A  
B  
C  
TM  
E  
F  
G  
H  
I  
J  
K  
L  
M  
N  
O  
P

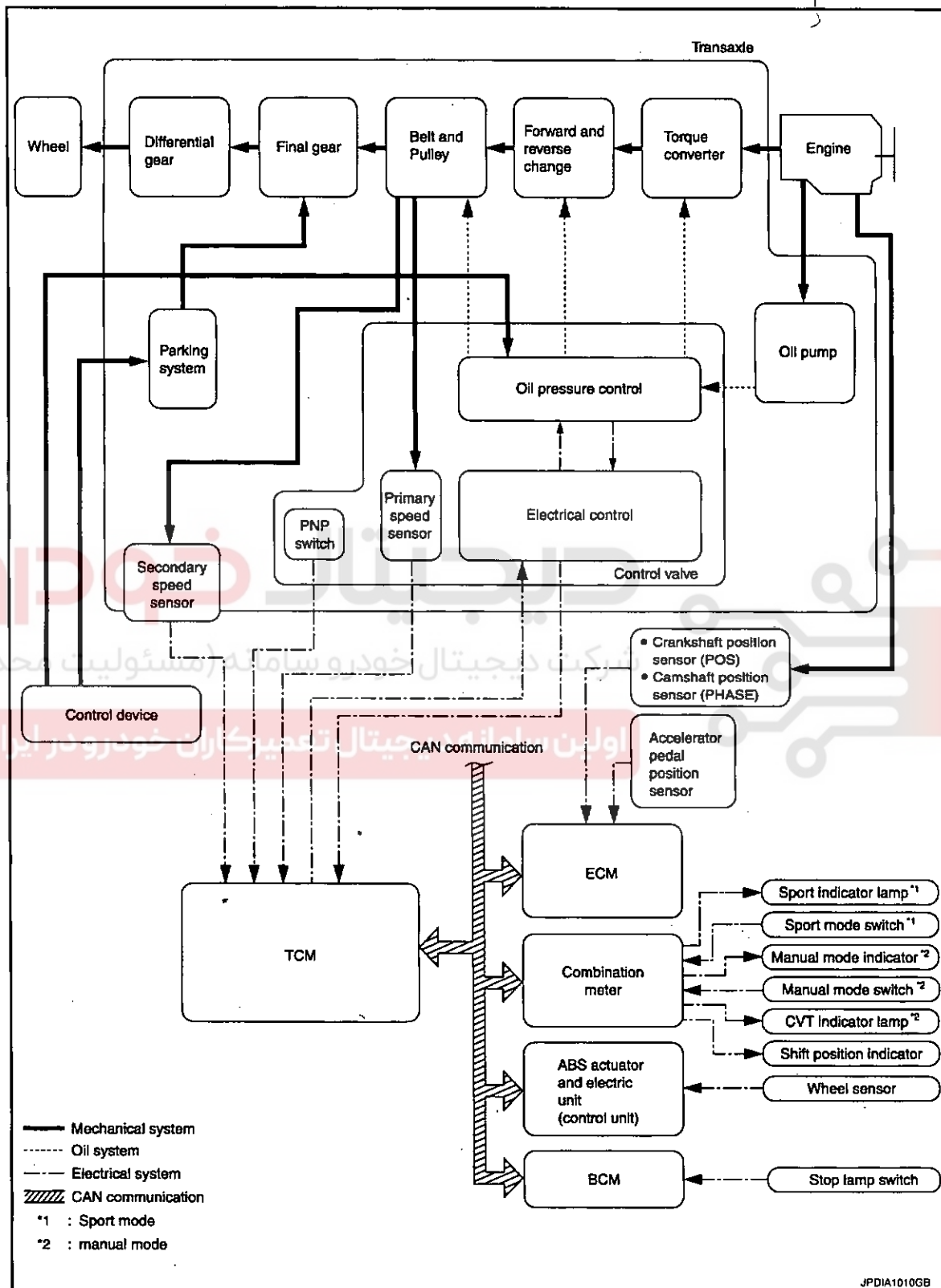
MECHANICAL SYSTEM

< FUNCTION DIAGNOSIS >

[CVT: RE0F09B]

System Diagram

INFOID:000000006191454



JPDIA1010GB

System Description

INFOID:000000006191454

Transmits the power from the engine to the drive wheel.

MECHANICAL SYSTEM

< FUNCTION DIAGNOSIS >

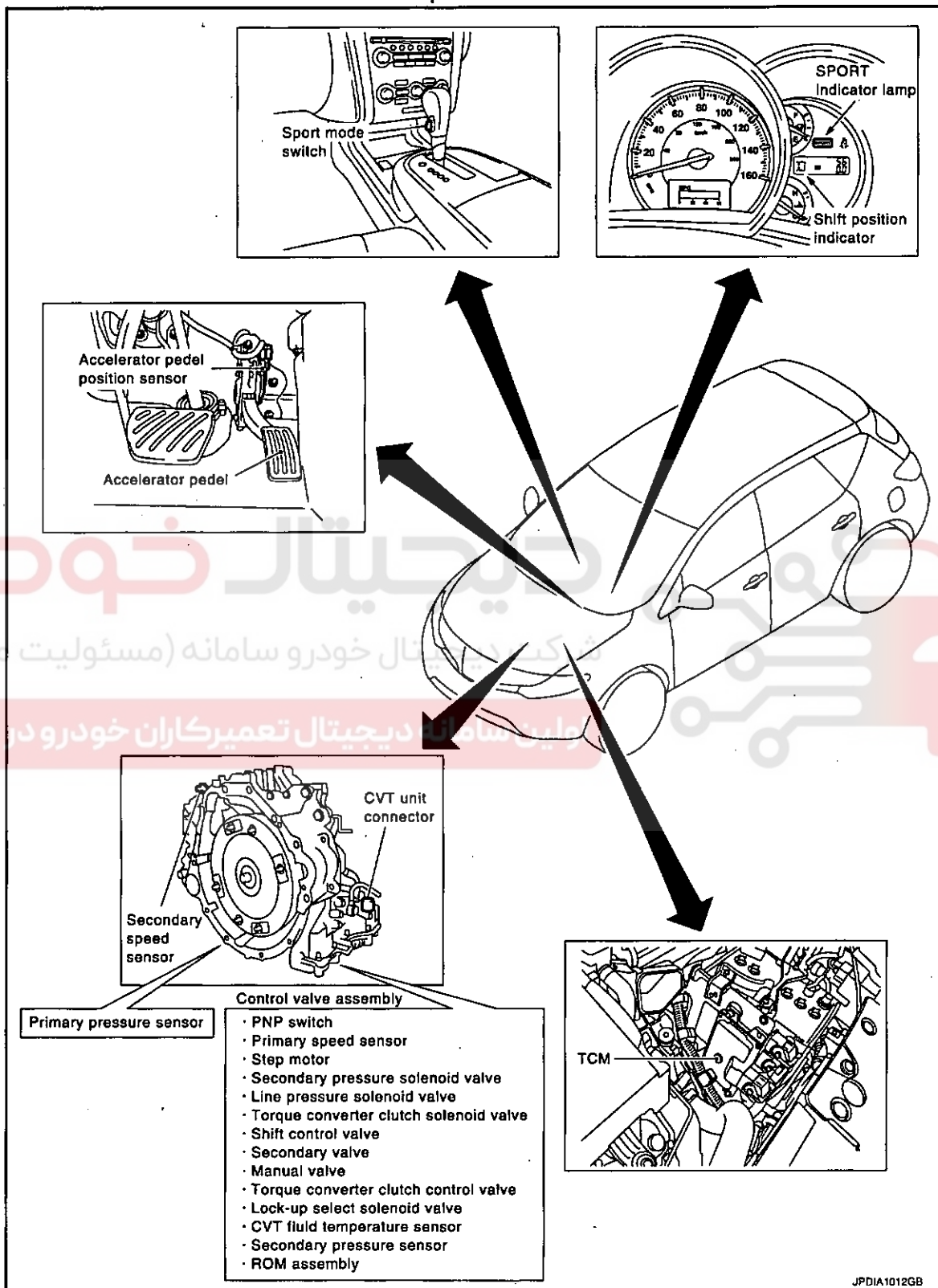
[CVT: RE0F09B]

Component Parts Location

INFOID:000000006191455

A  
B  
C  
TM  
E  
F  
G  
H  
I  
J  
K  
L  
M  
N  
O  
P

Sport mode

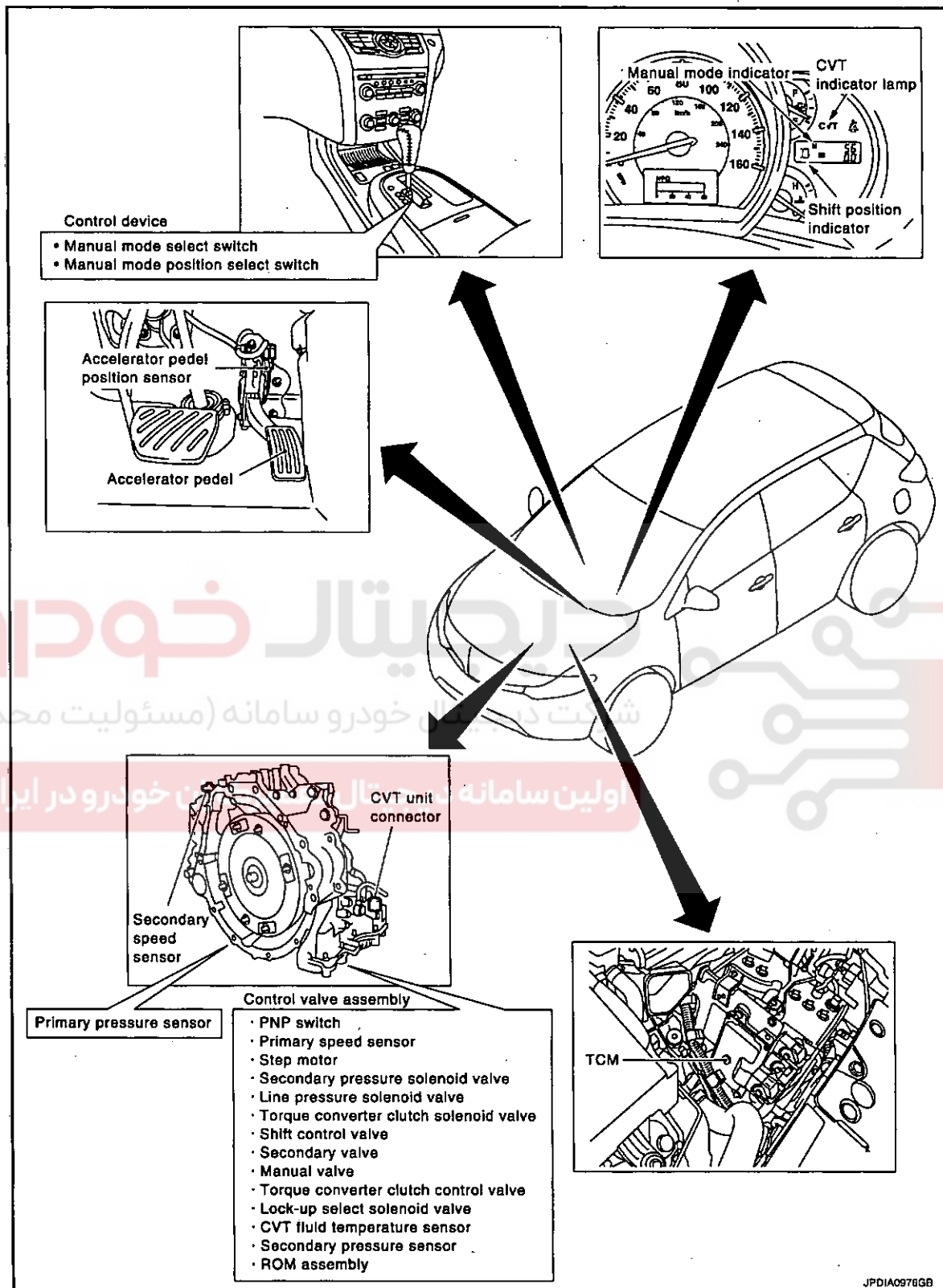


MECHANICAL SYSTEM

< FUNCTION DIAGNOSIS >

[CVT: RE0F09B]

Manual mode



Component Description

INFOID:000000006191458



## MECHANICAL SYSTEM

&lt; FUNCTION DIAGNOSIS &gt;

[CVT: RE0F09B]

Item	Function	
Torque converter	The torque converter is the device that increases the engine torque as well as the conventional AT and transmits it to the transaxle.	A
Oil pump	The adoption of a trochoidal oil pump with a flow control valve actuated directly by the engine enables the sufficient discharge from an oil pump in the low-rpm range and the adequate discharge adjustments in the high-rpm range.	B
Planetary gear	Perform the transmission of drive power and the switching of forward/backward movement.	C
Forward clutch		
Reverse brake		
Primary pulley	It is composed of a pair of pulleys (the groove width is changed freely in the axial direction) and the steel belt (the steel star wheels are placed continuously and the belt is guided with the multilayer steel rings on both sides). The groove width changes according to wrapping radius of steel belt and pulley from low status to overdrive status continuously with non-step. It is controlled with the oil pressures of primary pulley and secondary pulley.	TM
Secondary pulley		
Steel belt		
Output gear	Reduction gear consists of primary deceleration (output gear and idler gear in pair) and secondary deceleration (reduction gear and final gear in pair). Each of them uses a helical gear.	E
Idler gear		
Reduction gear		
Final gear		
Differential		
Manual shaft	The parking rod rotates the parking pole and the parking pole engages with the parking gear when the manual shaft is in "P" position. As a result the parking gear and the output axis are fixed.	F
Parking rod		
Parking pawl		
Parking gear		

شرکت دیجیتال خودرو سامانه (مستولیت محدود)

اولین سامانه دیجیتال تعمیرکاران خودرو در ایران

HYDRAULIC CONTROL SYSTEM

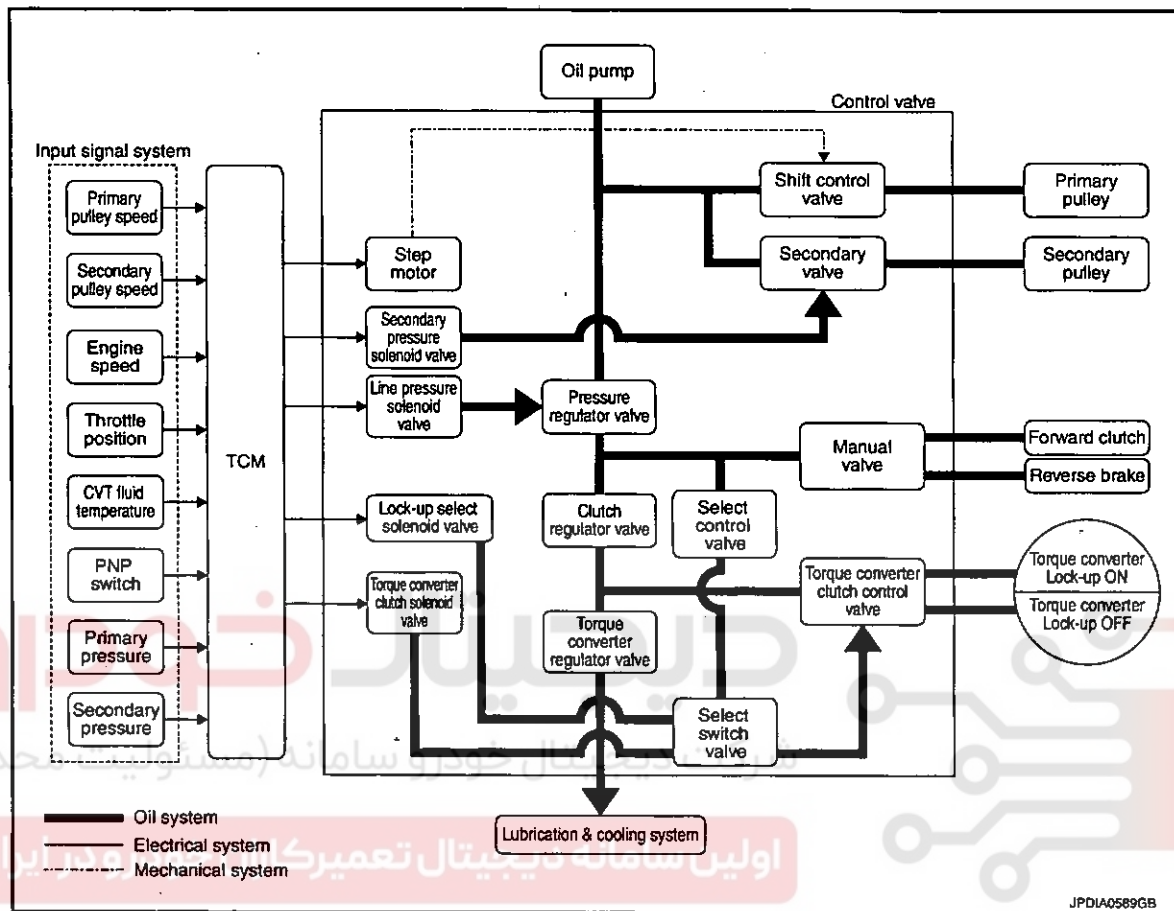
< FUNCTION DIAGNOSIS >

[CVT: RE0F09B]

HYDRAULIC CONTROL SYSTEM

System Diagram

INFO.ID:000000006191457



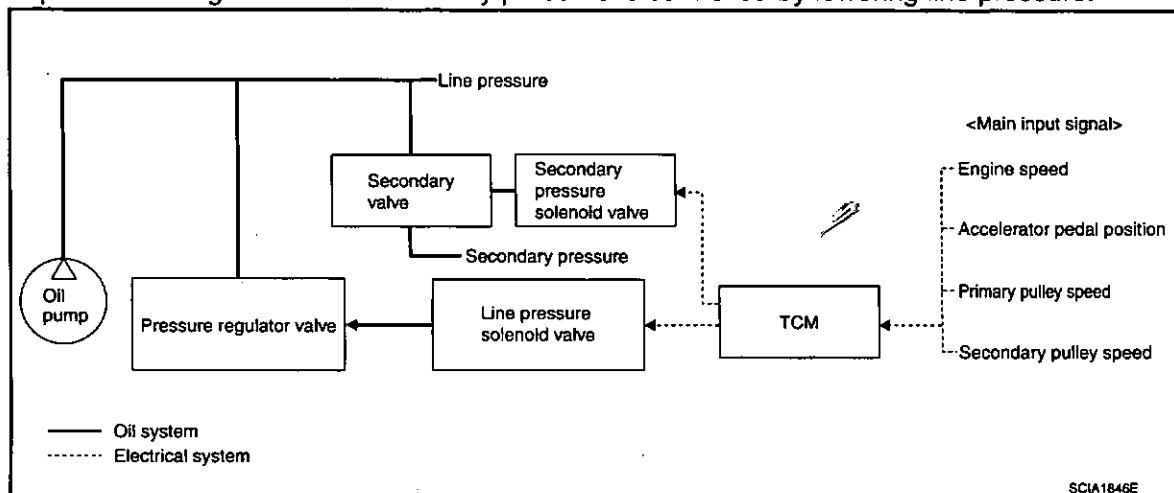
System Description

INFO.ID:000000006191458

The hydraulic control mechanism consists of the oil pump directly driven by the engine, the hydraulic control valve that controls line pressure and transmission, and the input signal line.

LINE PRESSURE AND SECONDARY PRESSURE CONTROL

- When an input torque signal equivalent to the engine driving force is transmitted from the ECM to the TCM, the TCM controls the line pressure solenoid valve and secondary pressure solenoid valve.
- Line pressure solenoid valve activates pressure regulator valve, and line pressure from oil pump is adjusted for the optimum driving condition. Secondary pressure is controlled by lowering line pressure.



## HYDRAULIC CONTROL SYSTEM

&lt; FUNCTION DIAGNOSIS &gt;

[CVT: RE0F09B]

## Normal Control

Optimize the line pressure and secondary pressure, depending on driving conditions, on the basis of the throttle position, the engine speed, the primary pulley (input) revolution speed, the secondary pulley (output) revolution speed, the brake signal, the PNP switch signal, the lock-up signal, the voltage, the target gear ratio, the fluid temperature, and the fluid pressure.

## Feedback Control

For the normal fluid control and the select fluid control, secondary pressure is detected for feedback control by using a secondary pressure sensor to set a high-precision secondary pressure.

A

B

C

TM

E

F

G

H

I

J

K

L

M

N

O

P

# دیجیتال خودرو

شرکت دیجیتال خودرو سامانه (مسئولیت محدود)

اولین سامانه دیجیتال تعمیرکاران خودرو در ایران





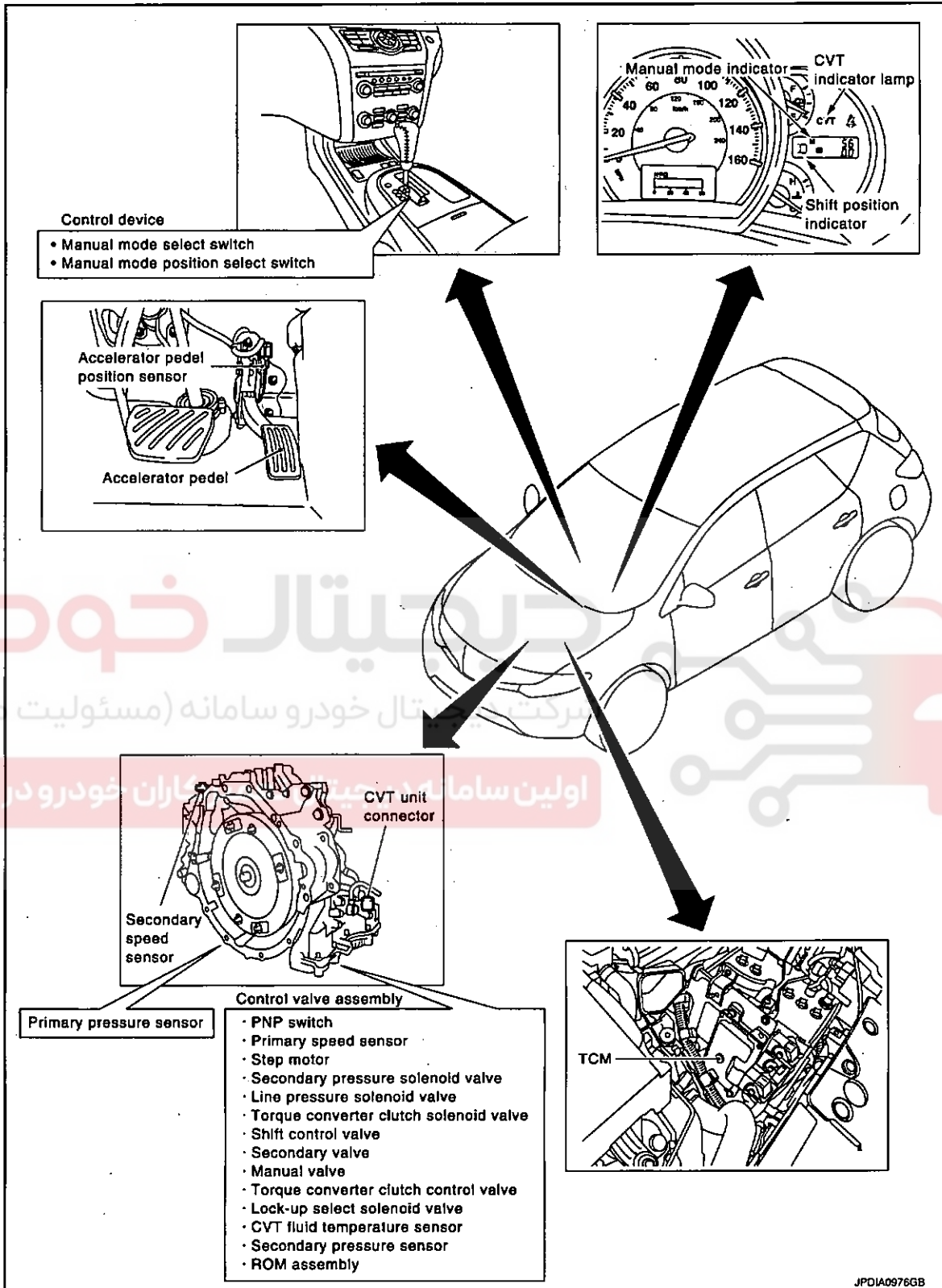


HYDRAULIC CONTROL SYSTEM

< FUNCTION DIAGNOSIS >

[CVT: RE0F09B]

Manual mode



Component Description

INFOID:000000006191480

TRANSAXLE ASSEMBLY

A  
B  
C  
TM  
E  
F  
G  
H  
I  
J  
K  
L  
M  
N  
O  
P

## HYDRAULIC CONTROL SYSTEM

&lt; FUNCTION DIAGNOSIS &gt;

[CVT: RE0F09B]

Name	Function
Torque converter regulator valve	Optimizes the supply pressure for the torque converter depending on driving conditions.
Pressure regulator valve	Optimizes the discharge pressure from the oil pump depending on driving conditions.
TCC control valve	<ul style="list-style-type: none"> <li>• Activates or deactivates the lock-up.</li> <li>• Locks up smoothly by opening lock-up operation excessively.</li> </ul>
Shift control valve	Controls inflow/outflow of line pressure from the primary pulley depending on the stroke difference between the stepping motor and the primary pulley.
Secondary valve	Controls the line pressure from the secondary pulley depending on operating conditions.
Clutch regulator valve	Adjusts the clutch operating pressure depending on operating conditions.
Manual valve	Transmits the clutch operating pressure to each circuit in accordance with the selected position.
Select control valve	Engages forward clutch, reverse brake smoothly depending on select operation.
Select switch valve	The select switch valve enables to select engagement/disengagement of lock-up clutch and that of forward clutch and reverse clutch.
TCC solenoid valve	TM-66. "Description"
Secondary pressure solenoid valve	TM-76. "Description"
Line pressure solenoid valve	TM-70. "Description"
Step motor	TM-104. "Description"
Lock-up select solenoid valve	TM-101. "Description"
Primary speed sensor	TM-56. "Description"
Secondary speed sensor	TM-59. "Description"
PNP switch	TM-51. "Description"
Primary pulley	TM-16. "Component Description"
Secondary pulley	
Forward clutch	
Torque converter	

## EXCEPT TRANSAXLE ASSEMBLY

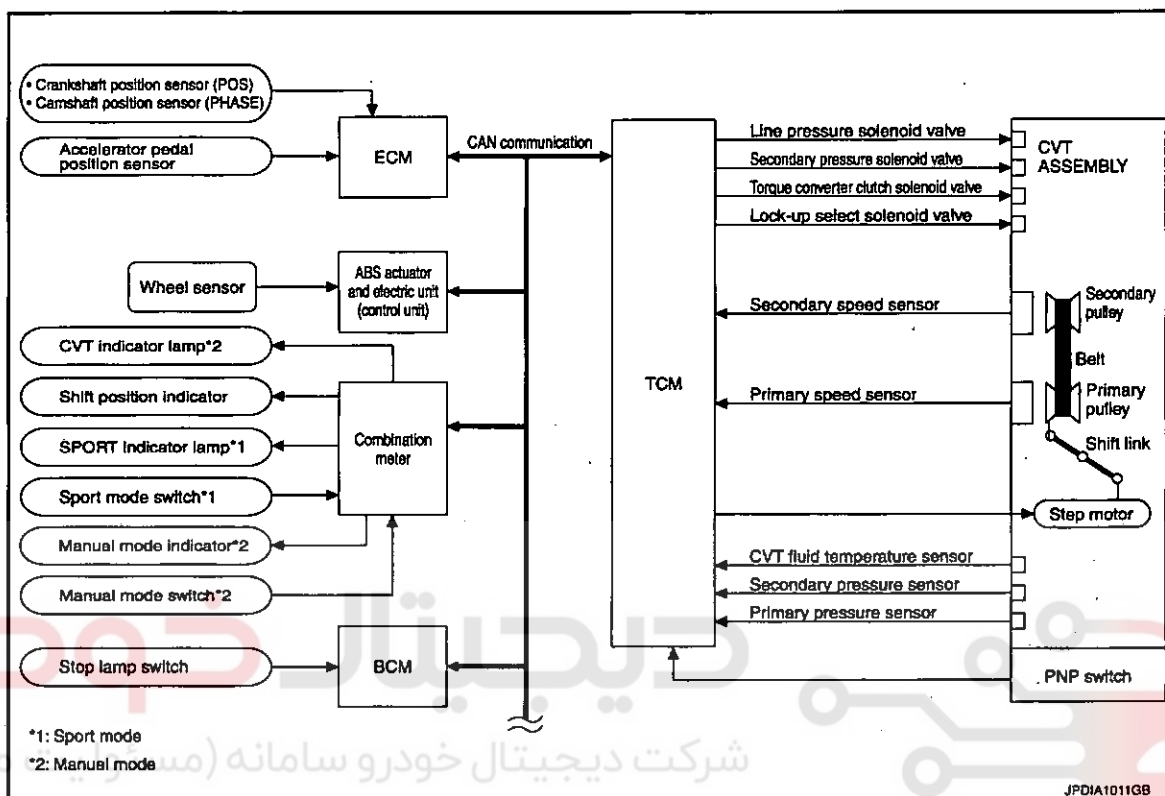
Name	Function
TCM	Judges driving condition according to signals from each sensor, and optimally controls variable speed mechanism.
Accelerator pedal position sensor	TM-95. "Description"
Bypass valve*	Controls the flow rate of CVT fluid to fluid cooler according to the oil temperature.

\*: With fluid cooler

CONTROL SYSTEM

System Diagram

INFOID:000000006191461



System Description

INFOID:000000006191462

The CVT senses vehicle operating conditions through various sensors. It always controls the optimum shift position and reduces shifting and lock-up shocks.

TCM FUNCTION

The function of the TCM is to:

- Receive input signals sent from various switches and sensors.
- Determine required line pressure, shifting point, and lock-up operation.
- Send required output signals to the step motor and the respective solenoids.

SENSORS (or SIGNAL)	TCM	ACTUATORS
PNP switch Accelerator pedal position signal Closed throttle position signal Engine speed signal CVT fluid temperature sensor Vehicle speed signal Sport mode signal*1 Manual mode signal*2 Stop lamp switch signal Primary speed sensor Secondary speed sensor Primary pressure sensor Secondary pressure sensor	Shift control Line pressure control Primary pressure control Secondary pressure control Lock-up control Engine brake control Vehicle speed control Fail-safe control Self-diagnosis CONSULT-III communication line Duet-EA control CAN system On board diagnosis	Step motor Torque converter clutch solenoid valve Lock-up select solenoid valve Line pressure solenoid valve Secondary pressure solenoid valve SPORT indicator lamp*1 CVT indicator lamp*2 Manual mode indicator*2 Shift position indicator Stater relay

\*1: Sport mode

\*2: Manual mode

INPUT/OUTPUT SIGNAL OF TCM

## CONTROL SYSTEM

&lt; FUNCTION DIAGNOSIS &gt;

[CVT: RE0F09B]

Control item		Fluid pressure control	Select control	Shift control	Lock-up control	CAN communication control	Fail-safe function <sup>*3</sup>
Input	PNP switch	X	X	X	X	X	X
	Accelerator pedal position signal <sup>*1</sup>	X	X	X	X	X	X
	Closed throttle position signal <sup>*1</sup>	X		X	X	X	
	Engine speed signal <sup>*1</sup>	X	X		X	X	X
	CVT fluid temperature sensor	X	X	X	X		X
	Sport mode signal <sup>*1, *4</sup>	X		X	X	X	
	Manual mode signal <sup>*1, *5</sup>	X		X	X	X	X
	Stop lamp switch signal <sup>*1</sup>	X		X	X	X	
	Primary speed sensor	X		X	X	X	X
	Secondary speed sensor	X	X	X	X	X	X
	Primary pressure sensor	X		X			
	Secondary pressure sensor	X		X			X
	TCM power supply voltage signal	X	X	X	X	X	X
Output	Step motor			X			X
	TCC solenoid valve		X		X		X
	Lock-up select solenoid valve		X		X		X
	Line pressure solenoid valve	X	X	X			X
	Secondary pressure solenoid valve	X		X			X
SPORT indicator signal <sup>*2, *4</sup>						X	

\*1: Input by CAN communications.

\*2: Output by CAN communications.

\*3: If these input and output signals are different, the TCM triggers the fail-safe function.

\*4: Sport mode

\*5: Manual mode

CONTROL SYSTEM

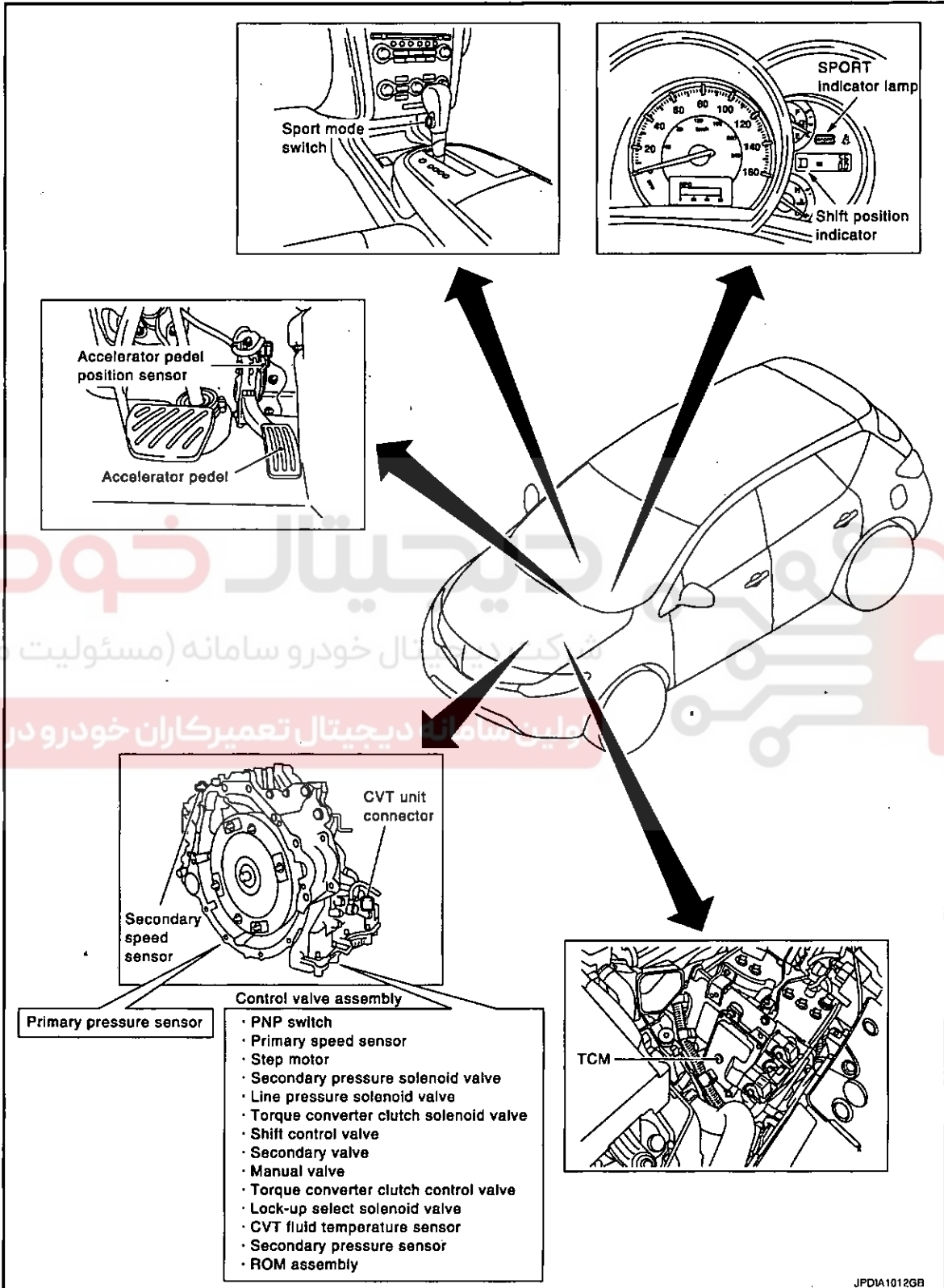
< FUNCTION DIAGNOSIS >

[CVT: RE0F09B]

Component Parts Location

INFOID.000000006191463

Sport mode



JPDIA1012GB

A  
B  
C  
TM  
E  
F  
G  
H  
I  
J  
K  
L  
M  
N  
O  
P

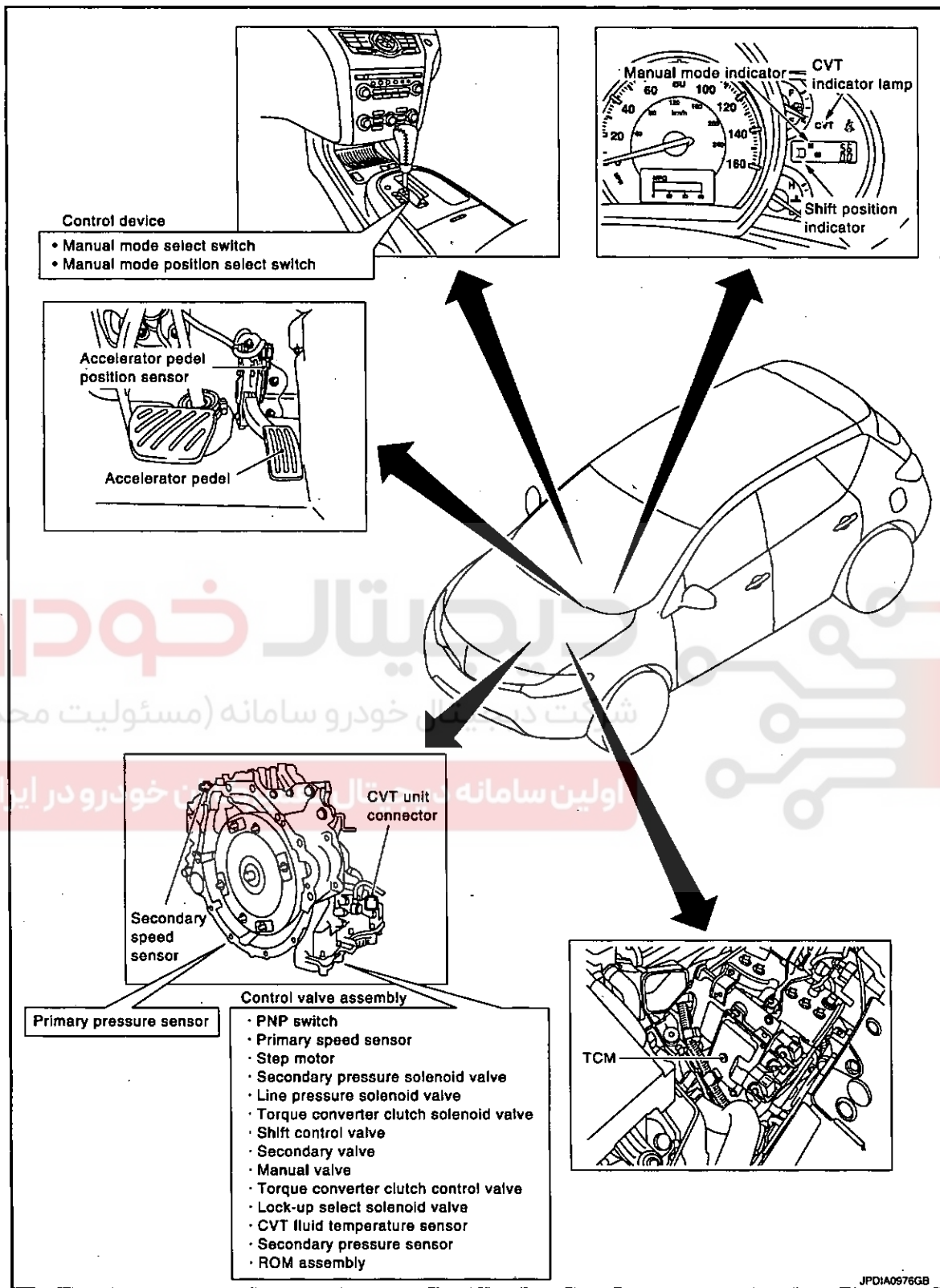


CONTROL SYSTEM

< FUNCTION DIAGNOSIS >

[CVT: RE0F09B]

Manual mode



Component Description

INFOID:000000006191464

TRANSAXLE ASSEMBLY

## CONTROL SYSTEM

&lt; FUNCTION DIAGNOSIS &gt;

[CVT: RE0F09B]

Name	Function
PNP switch	TM-51. "Description"
CVT fluid temperature sensor	TM-54. "Description"
Primary speed sensor	TM-56. "Description"
Secondary speed sensor	TM-59. "Description"
Primary pressure sensor	TM-87. "Description"
Secondary pressure sensor	TM-81. "Description"
Step motor	TM-104. "Description"
TCC solenoid valve	TM-66. "Description"
Lock-up select solenoid valve	TM-101. "Description"
Line pressure solenoid valve	TM-70. "Description"
Secondary pressure solenoid valve	TM-76. "Description"

## EXCEPT TRANSAXLE ASSEMBLY

Name	Function
TCM	TM-21. "Component Description"
Stop lamp switch	TM-48. "Description"

# دیجیتال خودرو

شرکت دیجیتال خودرو سامانه (مسئولیت محدود)

اولین سامانه دیجیتال تعمیرکاران خودرو در ایران



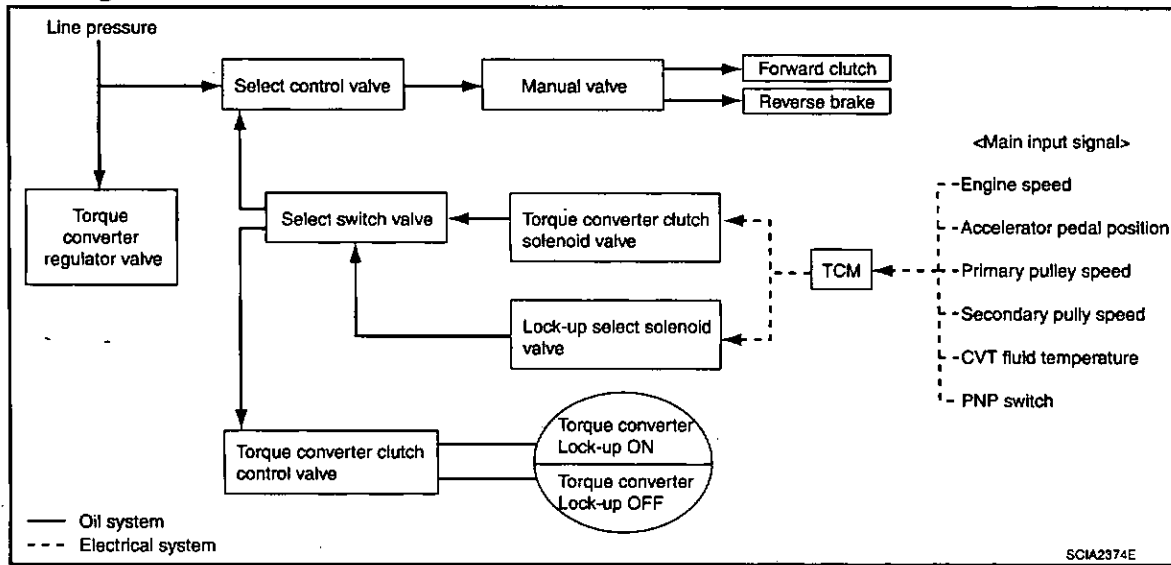
LOCK-UP AND SELECT CONTROL SYSTEM

< FUNCTION DIAGNOSIS >

[CVT: RE0F09B]

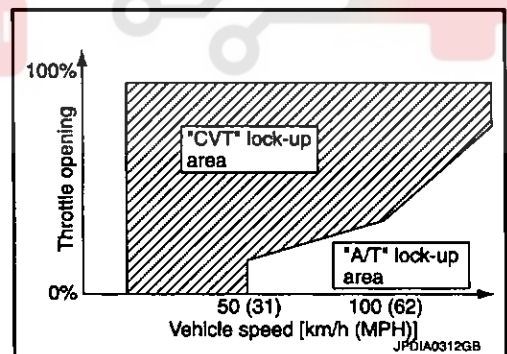
LOCK-UP AND SELECT CONTROL SYSTEM

System Diagram



System Description

- The torque converter clutch piston in the torque converter is engaged to eliminate torque converter slip to increase power transmission efficiency.
- The torque converter clutch control valve operation is controlled by the torque converter clutch solenoid valve, which is controlled by a signal from TCM. The torque converter clutch control valve engages or releases the torque converter clutch piston.
- When shifting between "N" ("P") ⇒ "D" ("R"), torque converter clutch solenoid valve controls engagement power of forward clutch and reverse brake.
- The lock-up applied gear range was expanded by locking up the torque converter at a lower vehicle speed than conventional CVT models.



TORQUE CONVERTER CLUTCH AND SELECT CONTROL VALVE CONTROL

Lock-up Released

In the lock-up released state, the torque converter clutch control valve is set into the unlocked state by the torque converter clutch solenoid valve and the lock-up apply pressure is drained. In this way, the torque converter clutch piston is not coupled.

Lock-up Applied

In the lock-up applied state, the torque converter clutch control valve is set into the locked state by the torque converter clutch solenoid valve and lock-up apply pressure is generated. In this way, the torque converter clutch piston is pressed and coupled.

Select Control

When shifting between "N" ("P") ⇒ "D" ("R"), optimize the operating pressure on the basis of the throttle position, the engine speed, and the secondary pulley (output) revolution speed to lessen the shift shock.

LOCK-UP AND SELECT CONTROL SYSTEM

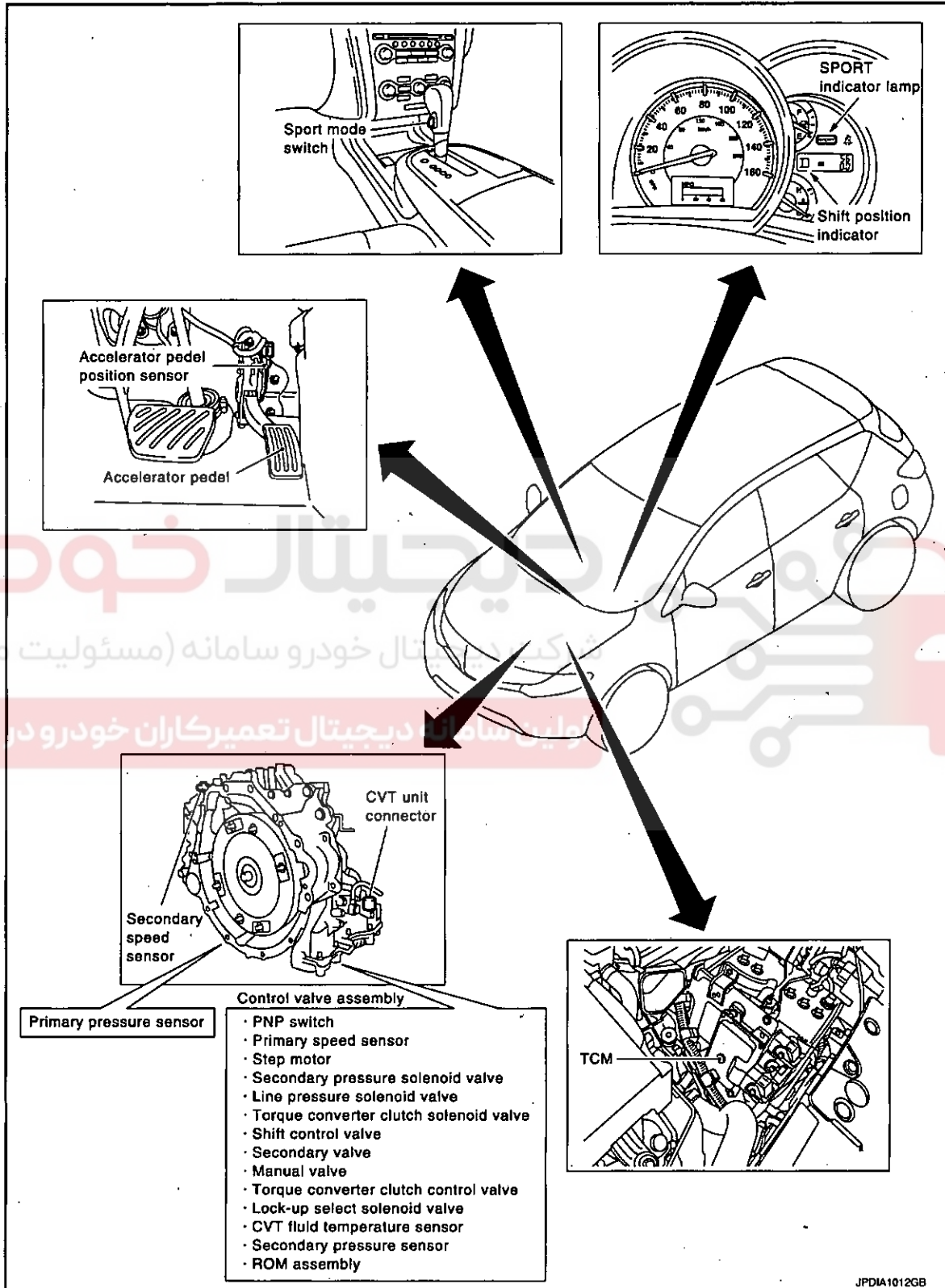
< FUNCTION DIAGNOSIS >

[CVT: RE0F09B]

Component Parts Location

INFOID:000000006191467

Sport mode



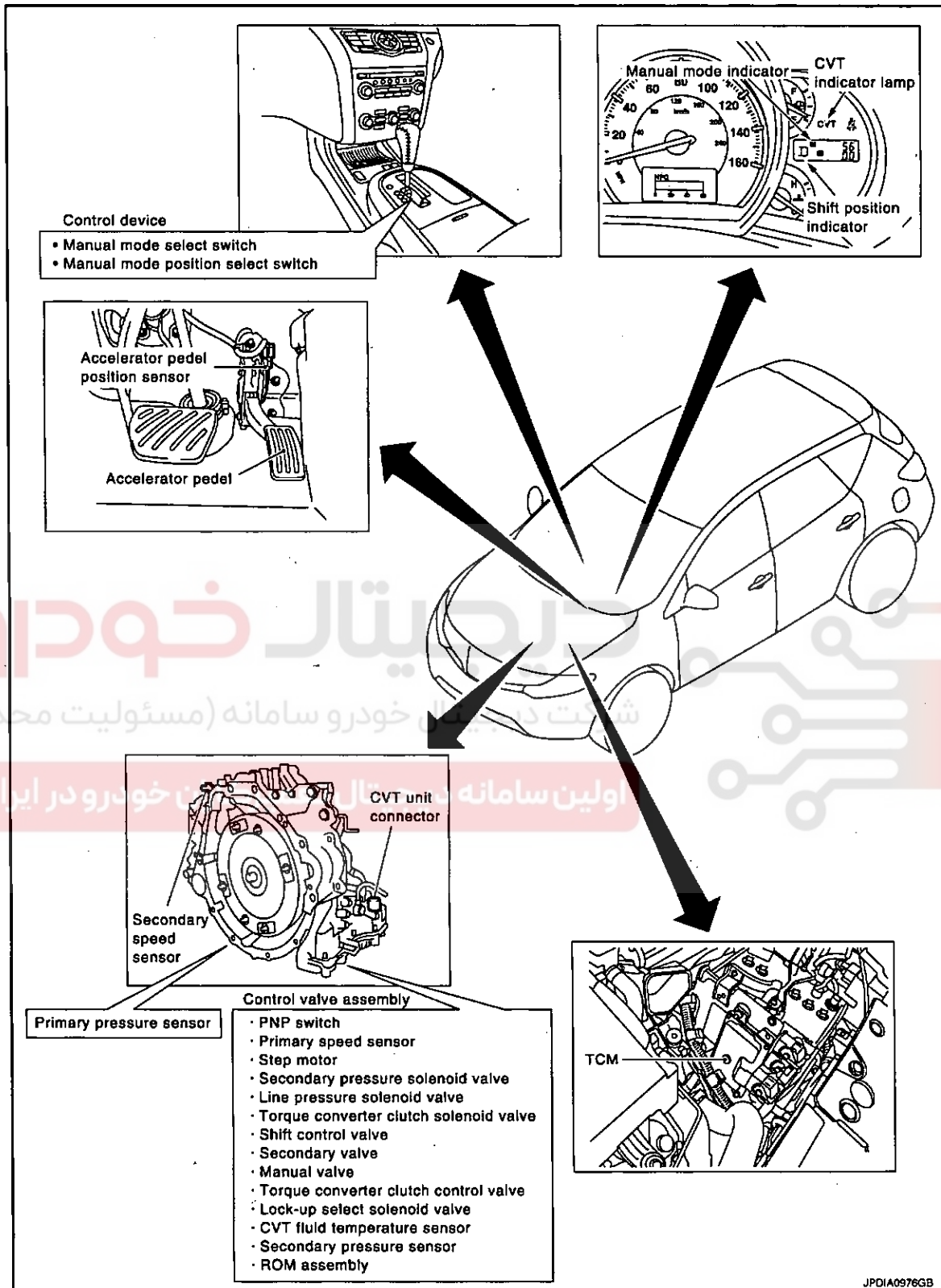
A  
B  
C  
TM  
E  
F  
G  
H  
I  
J  
K  
L  
M  
N  
O  
P

LOCK-UP AND SELECT CONTROL SYSTEM

< FUNCTION DIAGNOSIS >

[CVT: RE0F09B]

Manual mode



Component Description

INFOID:000000006191468

TRANSAXLE ASSEMBLY



## LOCK-UP AND SELECT CONTROL SYSTEM

[CVT: RE0F09B]

## &lt; FUNCTION DIAGNOSIS &gt;

Name	Function	
Torque converter regulator valve		A
TCC control valve		
Select control valve	TM-21. "Component Description"	B
Select switch valve		
Manual valve		C
TCC solenoid valve	TM-66. "Description"	
Lock-up select solenoid valve	TM-101. "Description"	
Primary speed sensor	TM-56. "Description"	TM
Secondary speed sensor	TM-59. "Description"	
CVT fluid temperature sensor	TM-54. "Description"	E
PNP switch	TM-51. "Description"	
Forward clutch		
Reverse brake	TM-16. "Component Description"	F
Torque converter		

## EXCEPT TRANSAXLE ASSEMBLY

Name	Function	
TCM	TM-21. "Component Description"	H
Accelerator pedal position sensor	TM-95. "Description"	

شرکت دیجیتال خودرو (مسئولیت محدود)

اولین سامانه دیجیتال تعمیرکاران خودرو در ایران

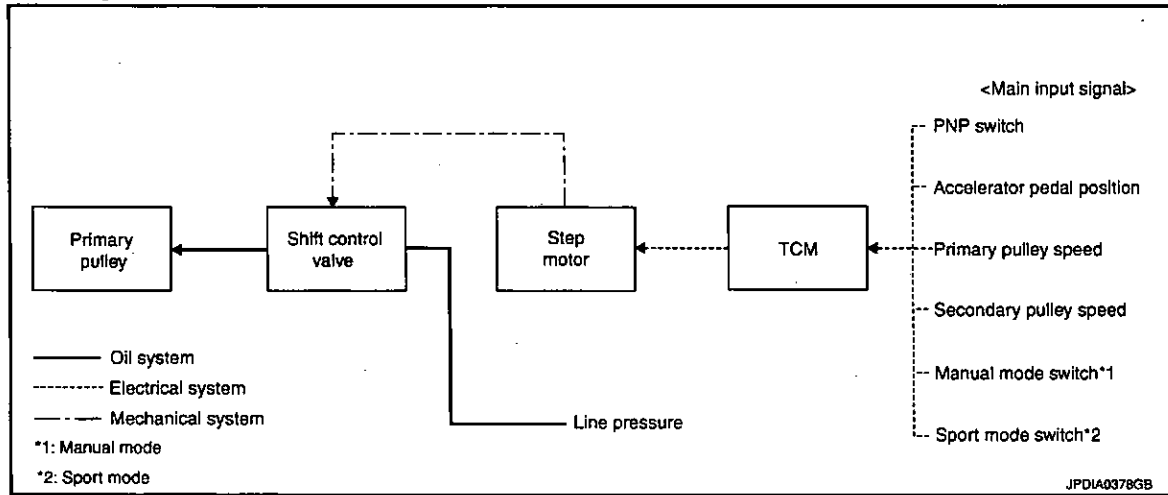
SHIFT CONTROL SYSTEM

< FUNCTION DIAGNOSIS >

[CVT: RE0F09B]

SHIFT CONTROL SYSTEM

System Diagram



NOTE:

The gear ratio is set for each position separately.

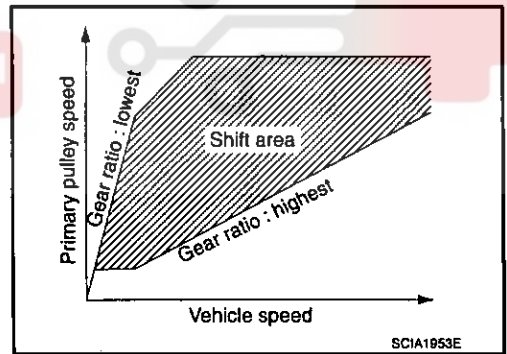
System Description

INFOID:000000006191470

In order to select the gear ratio that can obtain the driving force in accordance with driver's intention and the vehicle condition, TCM monitors the driving conditions, such as the vehicle speed and the throttle position, selects the optimum gear ratio, and determines the gear change steps to the gear ratio. Then TCM sends the command to the step motor, controls the inflow/outflow of line pressure from the primary pulley to determine the position of the moving-pulley and controls the gear ratio.

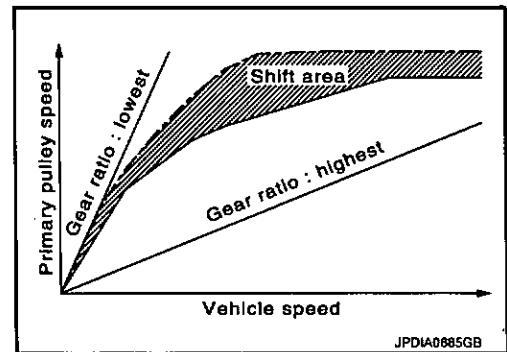
"D" POSITION

Shifting over all the ranges of gear ratios from the lowest to the highest.



SPORT MODE (SPORT MODE)

Use this position for improved engine braking.



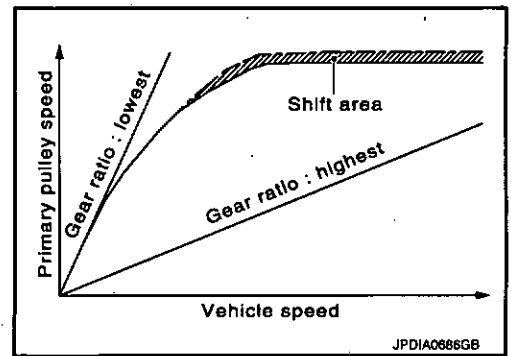
"L" POSITION (SPORT MODE)

SHIFT CONTROL SYSTEM

< FUNCTION DIAGNOSIS >

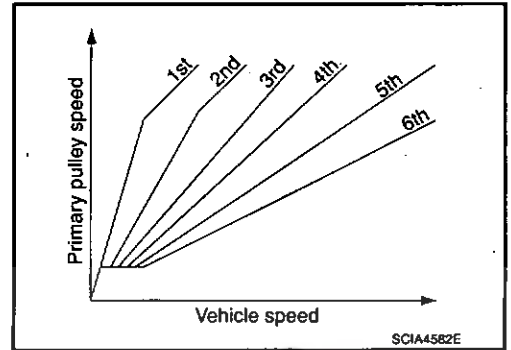
[CVT: RE0F09B]

By limiting the gear range to the lowest position, the strong driving force and the engine brake can be secured.



“M” POSITION (MANUAL MODE)

When the selector lever is put in the manual shift gate side, the fixed changing gear line is set. By moving the selector lever to + side or – side, the manual mode switch is changed over, and shift change like M/T becomes possible following the changing gear set line step by step.



DOWNHILL ENGINE BRAKE CONTROL (AUTO ENGINE BRAKE CONTROL)

When a downhill slope is detected with the accelerator pedal released, the engine brake will be strengthened up by downshifting so as not to accelerate the vehicle more than necessary.

ACCELERATION CONTROL

According to vehicle speed and a change of accelerator pedal angle, driver's request for acceleration and driving scene are judged. This function assists improvement in the acceleration feeling by making the engine speed proportionate to the vehicle speed. And a shift map that can gain a larger driving force is available for compatibility of mileage with driveability.

A  
B  
C  
TM  
E  
F  
G  
H  
I  
J  
K  
L  
M  
N  
O  
P

SHIFT CONTROL SYSTEM

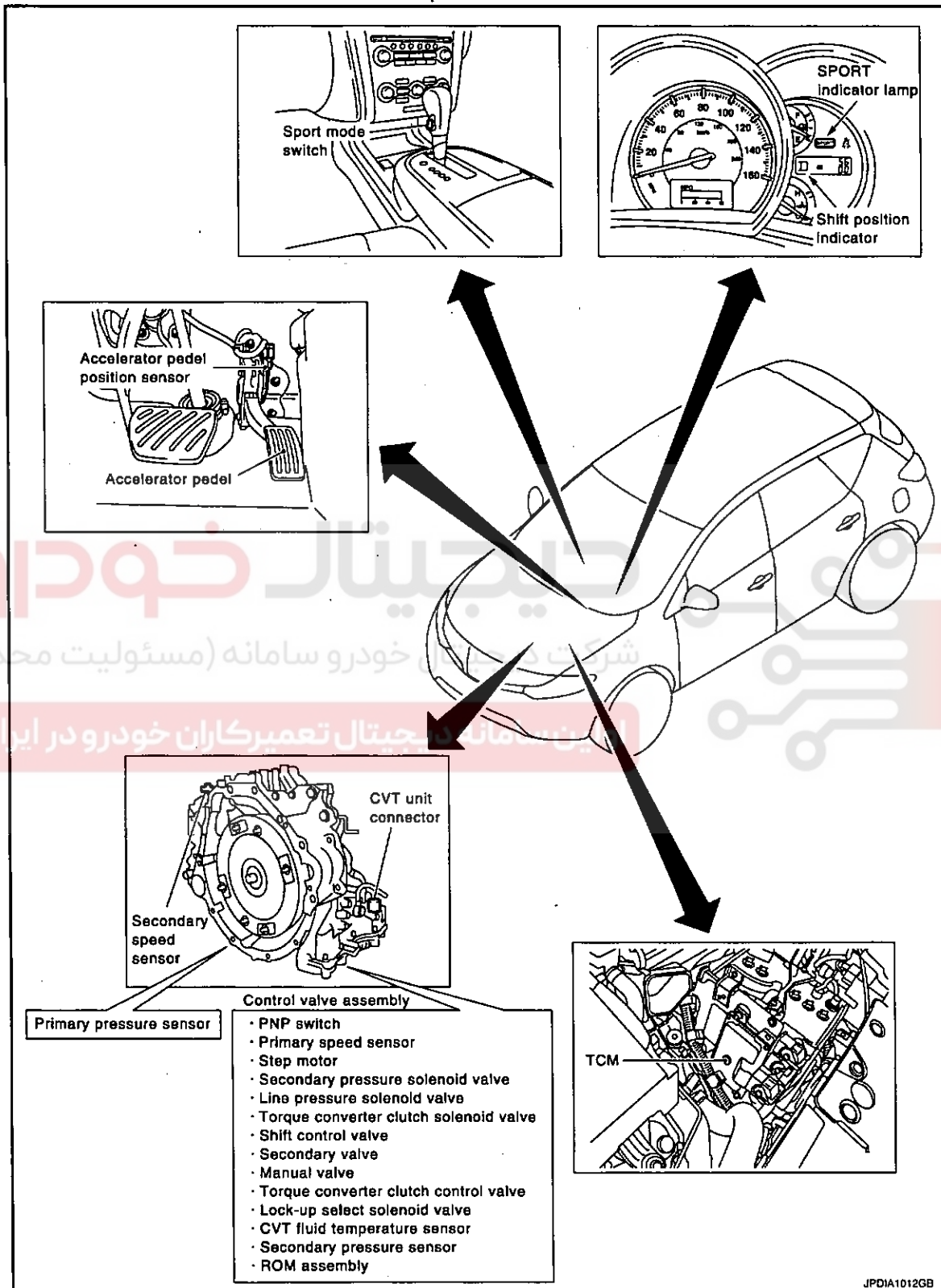
< FUNCTION DIAGNOSIS >

[CVT: RE0F09B]

Component Parts Location

INFOID:000000006191471

Sport mode

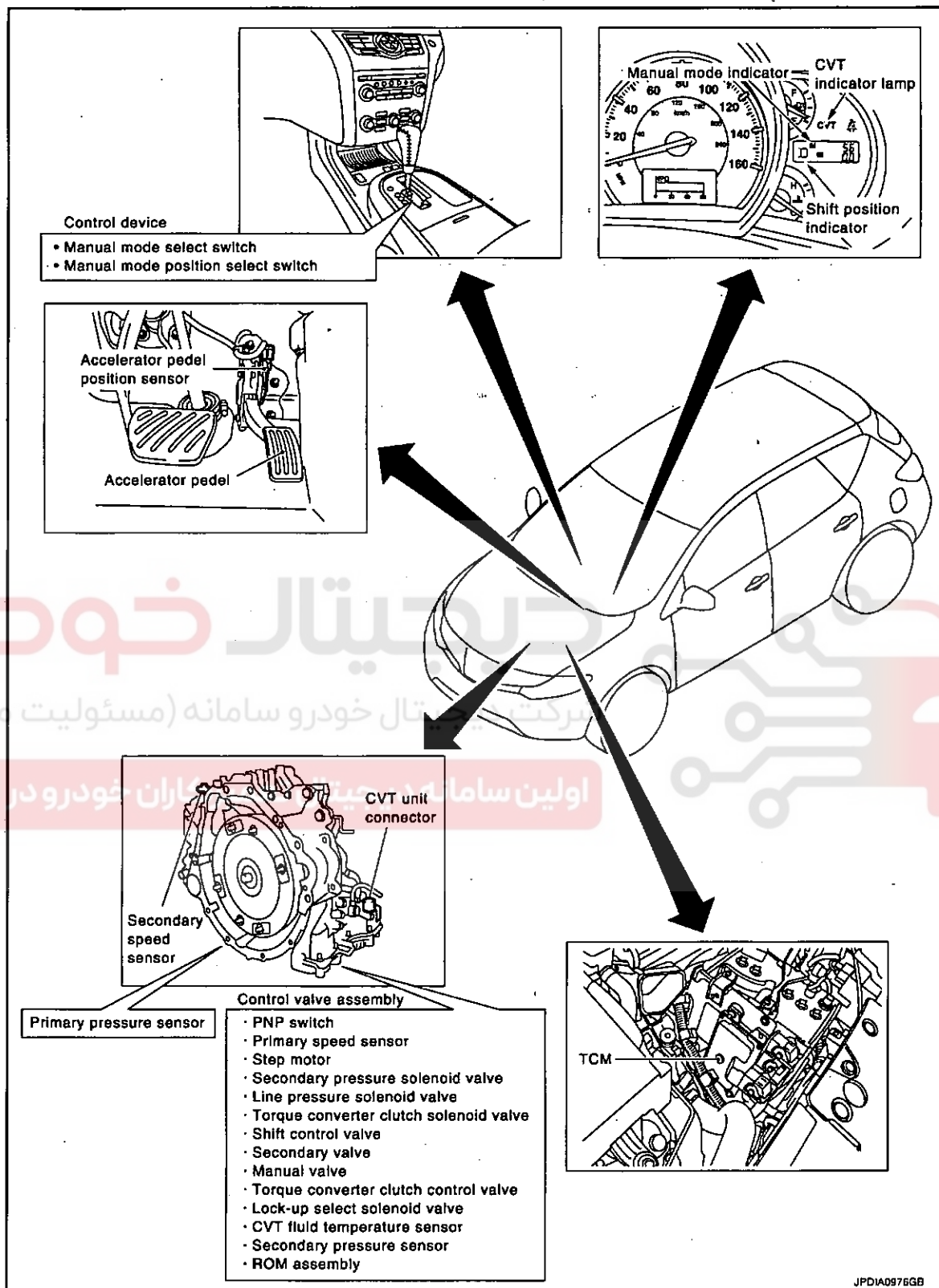


SHIFT CONTROL SYSTEM

< FUNCTION DIAGNOSIS >

[CVT: RE0F09B]

Manual mode



A  
B  
C  
TM  
E  
F  
G  
H  
I  
J  
K  
L  
M  
N  
O  
P

خودرو دیجیتال  
 شرکت دیجیتال خودرو سامانه (مسئولیت محدود)  
 اولین سامانه خودرو در ایران

Component Description

INFOID:000000006191472

TRANSAXLE ASSEMBLY

## SHIFT CONTROL SYSTEM

&lt; FUNCTION DIAGNOSIS &gt;

[CVT: RE0F09B]

Item	Function
PNP switch	TM-51, "Description"
Primary speed sensor	TM-56, "Description"
Secondary speed sensor	TM-59, "Description"
Step motor	TM-104, "Description"
Shift control valve	TM-21, "Component Description"
Primary pulley	TM-16, "Component Description"
Secondary pulley	TM-16, "Component Description"

## EXCEPT TRANSAXLE ASSEMBLY

Item	Function
TCM	TM-21, "Component Description"

# دیجیتال خودرو

شرکت دیجیتال خودرو سامانه (مسئولیت محدود)

اولین سامانه دیجیتال تعمیرکاران خودرو در ایران





SHIFT LOCK SYSTEM

< FUNCTION DIAGNOSIS >

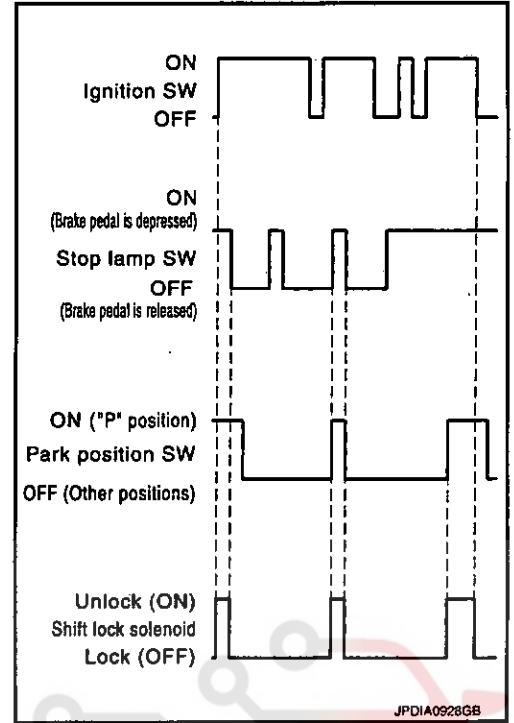
[CVT: RE0F09B]

SHIFT LOCK SYSTEM

System Description

The shift lever cannot be shifted from the "P" position unless the brake pedal is depressed while the ignition switch is set to ON. The shift lock is unlocked by turning the shift lock solenoid ON when the ignition switch is set to ON, the park position switch is turned ON (selector lever is in "P" position), and the stop lamp switch is turned ON (brake pedal is depressed) as shown in the operation chart in the figure. Therefore, the shift lock solenoid receives no ON signal and the shift lock remains locked if all of the above conditions are not fulfilled. (However, selector operation is allowed if the shift lock release button is pressed.)

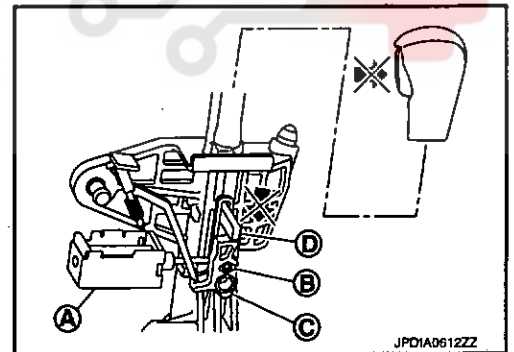
INFOID:000000006181473



SHIFT LOCK OPERATION AT "P" POSITION

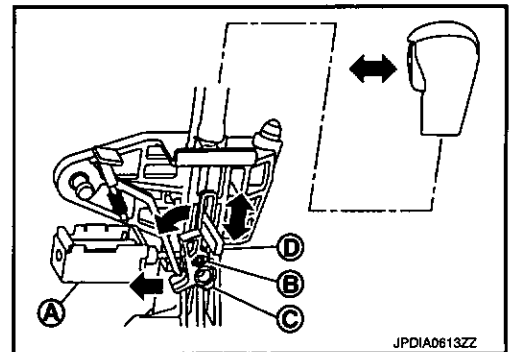
**When Brake Pedal Is Not Depressed (No Selector Operation Allowed)**  
The shift lock solenoid (A) is turned OFF (not energized) and the solenoid rod (B) is extended with the spring when the brake pedal is not depressed (no selector operation allowed) with the ignition switch ON.

The connecting lock lever (C) is located at the position shown in the figure when the solenoid rod is extended. It prevents the movement of the detent rod (D). For these reasons, the selector lever cannot be shifted from the "P" position.



**When Brake Pedal Is Depressed (Shift Operation Allowed)**

The shift lock solenoid (A) is turned ON (energized) when the brake pedal is depressed with the ignition switch ON. The solenoid rod (B) is compressed by the electromagnetic force. The connecting lock lever (C) rotates when the solenoid is activated. Therefore, the detent rod (D) can be moved. For these reasons, the selector lever can be shifted to other positions.



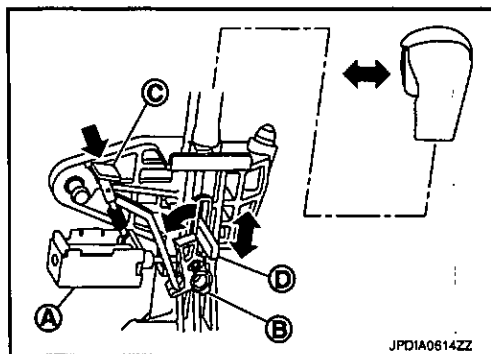
"P" POSITION HOLD MECHANISM (IGNITION SWITCH LOCK)

SHIFT LOCK SYSTEM

< FUNCTION DIAGNOSIS >

[CVT: RE0F09B]

The shift lock solenoid (A) is not energized when the ignition switch is in any position other than ON. In this condition, the shift mechanism is locked and "P" position is held. The operation cannot be performed from "P" position if the brake pedal is depressed with the ignition switch ON when the operation system of shift lock solenoid is malfunctioning. However, the lock lever (B) is forcibly rotated and the shift lock is released when the shift lock release button (C) is pressed from above. Then the selector operation from "P" position can be performed.



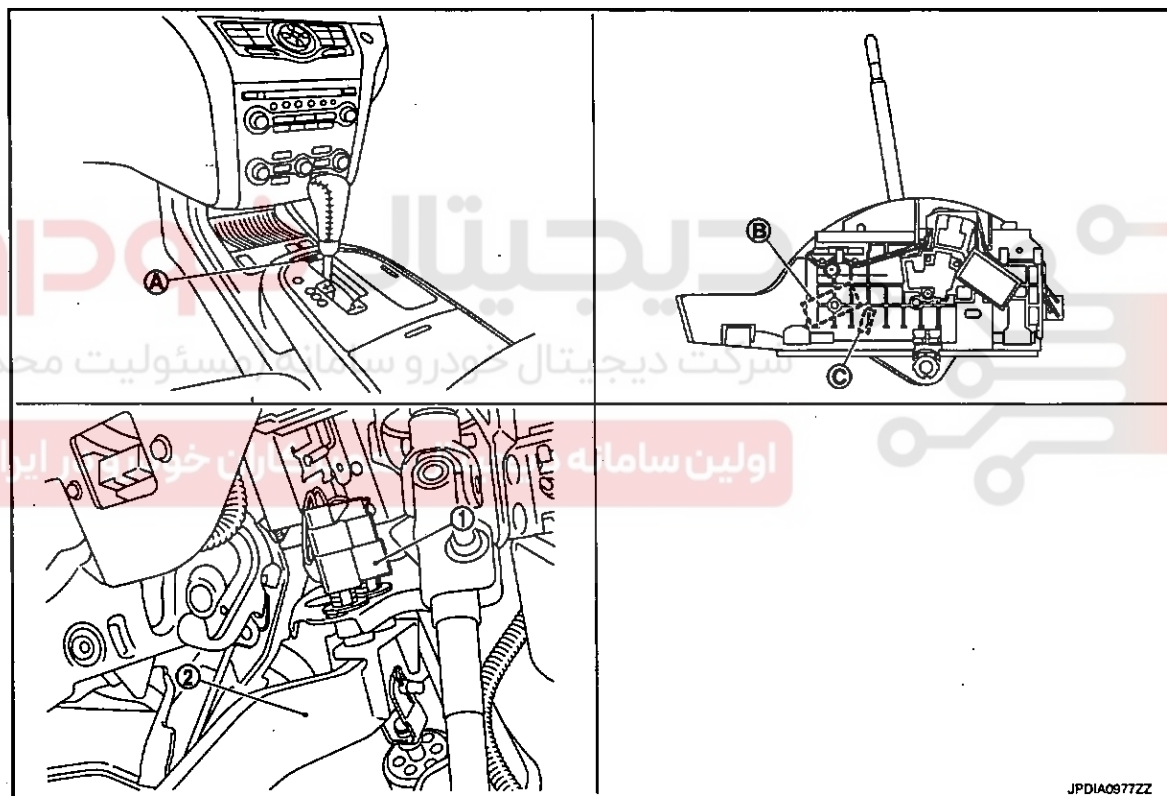
D : Detent rod

CAUTION:

Use the shift lock release button only when the selector lever cannot be operated even if the brake pedal is depressed with the ignition switch ON.

Component Parts Location

INFOID.000000006191474



- 1. Stop lamp switch
- 2. Brake pedal
- A. Shift lock release button\*
- B. Shift lock solenoid
- C. Park position switch

\*: Shift lock release button becomes operative by removing shift lock cover.

Component Description

INFOID.000000006191475

SHIFT LOCK

Component	Function
Shift lock solenoid	TM-111
Lock lever	
Detent rod	
Park position switch	
Shift lock release button	

## ON BOARD DIAGNOSTIC (OBD) SYSTEM

&lt; FUNCTION DIAGNOSIS &gt;

[CVT: RE0F09B]

## ON BOARD DIAGNOSTIC (OBD) SYSTEM

## Diagnosis Description

INFOID:000000006191476

## DESCRIPTION

The CVT system has two self-diagnostic systems.

The first is the emission-related on board diagnostic system (OBD) performed by the TCM in combination with the ECM. A malfunction is indicated by the MIL (Malfunction Indicator Lamp) and is stored as a DTC in the ECM memory and in the TCM memory.

The second is the TCM original self-diagnosis performed by the TCM. A malfunction history is stored in the TCM memory. The detected items are overlapped with OBD self-diagnostic items. For details, refer to TM-134, "DTC Index".

## OBD FUNCTION

The ECM provides emission-related on board diagnostic (OBD) functions for the CVT system. One function is to receive a signal from the TCM used with OBD-related parts of the CVT system. The signal is sent to the ECM when a malfunction occurs in the corresponding OBD-related part. The other function is to indicate a diagnostic result by means of the MIL (Malfunction Indicator Lamp) on the instrument panel. Sensors, switches and solenoid valves are used as sensing elements.

The MIL automatically illuminates in "One or Two Trip Detection Logic" when a malfunction is sensed in relation to CVT system parts.

## ONE OR TWO TRIP DETECTION LOGIC OF OBD

## One Trip Detection Logic

If a malfunction is sensed during the first test drive, the MIL illuminates and the ECM memory stores the malfunction as a DTC. The TCM is not provided with such a memory function.

## Two Trip Detection Logic



When a malfunction is sensed during the first test drive, it is stored in the ECM memory as a 1st trip DTC (diagnostic trouble code) or 1st trip freeze frame data. At this point, the MIL does not illuminate. — 1st trip  
If the same malfunction as that experienced during the first test drive is sensed during the second test drive, the MIL will illuminate. — 2nd trip

The "trip" in the "One or Two Trip Detection Logic" means a driving mode in which self-diagnosis is performed during vehicle operation.

## OBD DIAGNOSTIC TROUBLE CODE (DTC)

## How to Read DTC and 1st Trip DTC

DTC and 1st trip DTC can be read by the following methods.

( with CONSULT-III or  GST) CONSULT-III or GST (Generic Scan Tool) Examples: P0705, P0720, etc.

These DTC are prescribed by ISO 15031-6.

(CONSULT-III also displays the malfunctioning component or system.)

- 1st trip DTC No. is the same as DTC No.
- Output of the diagnostic trouble code indicates that the indicated circuit has a malfunction. However, in case of the Mode II and GST, they do not indicate whether the malfunction is still occurring or it occurred in the past and has returned to normal.  
CONSULT-III can identify them as shown below, therefore, CONSULT-III (if available) is recommended.
- DTC or 1st trip DTC of a malfunction is displayed in "Self Diagnostic Results" in "ENGINE" with CONSULT-III. Time data indicates how many times the vehicle was driven after the last detection of a DTC.
- If the DTC is being detected currently, the time data will be "0".
- If a 1st trip DTC is stored in the ECM, the time data will be "1".

## Freeze Frame Data and 1st Trip Freeze Frame Data

- The ECM has a memory function, which stores the driving conditions such as fuel system status, calculated load value, engine coolant temperature, short-term fuel trim, long-term fuel trim, engine speed and vehicle speed at the moment the ECM detects a malfunction.

Data that are stored in the ECM memory, along with the 1st trip DTC, are called 1st trip freeze frame data, and the data, stored together with the DTC data, are called freeze frame data and displayed on CONSULT-III or GST. The 1st trip freeze frame data can only be displayed on the CONSULT-III screen, not on the GST. For details, refer to EC-117, "CONSULT-III Function".

## ON BOARD DIAGNOSTIC (OBD) SYSTEM

## &lt; FUNCTION DIAGNOSIS &gt;

[CVT: RE0F09B]

Only one set of freeze frame data (either 1st trip freeze frame data or freeze frame data) can be stored in the ECM. 1st trip freeze frame data is stored in the ECM memory along with the 1st trip DTC. There is no priority for 1st trip freeze frame data, and it is updated each time a different 1st trip DTC is detected. However, once freeze frame data (2nd trip detection/MIL on) is stored in the ECM memory, 1st trip freeze frame data is no longer stored. Remember, only one set of freeze frame data can be stored in the ECM. The ECM has the following priorities to update the data.

Priority	Items	
1	Freeze frame data	Misfire — DTC: P0300 - P0306 Fuel Injection System Function — DTC: P0171, P0172, P0174, P0175
2		Except the above items (Includes CVT related items)
3	1st trip freeze frame data	

Both 1st trip freeze frame data and freeze frame data (along with the DTC) are cleared when the ECM memory is erased.

## How to Erase DTC

- The diagnostic trouble code can be erased by CONSULT-III, GST or ECM DIAGNOSTIC TEST MODE as described below.
- **If the battery cable is disconnected, the diagnostic trouble code will be lost within 24 hours.**
- **When erasing the DTC, using CONSULT-III or GST is easier and quicker than switching the mode selector on the ECM.**
- The following emission-related diagnostic information is cleared from the ECM memory when erasing DTC related to OBD. For details, refer to [EC-395, "DTC Index"](#).
- **Diagnostic trouble codes (DTC)**
- **1st trip diagnostic trouble codes (1st trip DTC)**
- **Freeze frame data**
- **1st trip freeze frame data**
- **System readiness test (SRT) codes**
- **Test values**

## Ⓜ How to Erase DTC (With CONSULT-III)

The emission related diagnostic information in the TCM and ECM can be erased by selecting "ALL Erase" in the "Description" of "FINAL CHECK" mode with CONSULT-III.

## Ⓜ How to Erase DTC (With GST)

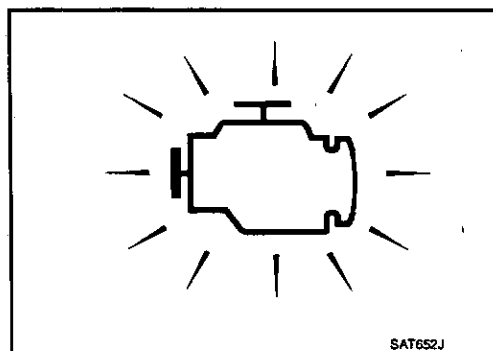
1. If the ignition switch stays ON after repair work, be sure to turn ignition switch OFF once. Wait at least 10 seconds and then turn it ON (engine stopped) again.
2. Select Mode 4 with GST (Generic Scan Tool). For details, refer to [EC-117, "CONSULT-III Function"](#).

## MALFUNCTION INDICATOR LAMP (MIL)

## Description

The MIL is located on the instrument panel.

1. The MIL is turned ON when the ignition switch is turned ON without the engine running. This is a bulb check.
  - If the MIL is not turned ON, refer to [EC-354, "Component Function Check"](#).
2. The MIL is turned OFF when the engine is started. If the MIL remains ON, the on board diagnostic system has detected an engine system malfunction.



DIAGNOSIS SYSTEM (TCM)

< FUNCTION DIAGNOSIS >

[CVT: RE0F09B]

DIAGNOSIS SYSTEM (TCM)

CONSULT-III Function (TRANSMISSION)

INFOID.000000006191477

FUNCTION

CONSULT-III can display each diagnostic item using the diagnostic test modes shown following.

Diagnostic test mode	Function
Work Support	This mode enables a technician to adjust some devices faster and more accurately.
Self Diagnostic Results	Retrieve DTC from ECU and display diagnostic items.
Data Monitor	Monitor the input/output signal of the control unit in real time.
CAN Diagnosis	This mode displays a network diagnosis result about CAN by a diagram.
CAN Diagnostic Support Monitor	It monitors the status of CAN communication.
Function Test	This mode can show results of self-diagnosis of ECU with either "OK" or "NG". For engine, more practical tests regarding sensors/switches and/or actuators are available.
ECU Identification	Display the ECU identification number (part number etc.) of the selected system.
Special Function	Other results or histories, etc. that are recorded in ECU are displayed.

WORK SUPPORT MODE

Display Item List

Item name	Description
ENGINE BRAKE ADJ.	The engine brake level setting can be canceled.
CONFORM CVTF DETERIORTN	The CVT fluid deterioration level can be checked.

Engine Brake Adjustment

"ENGINE BRAKE LEVEL"

- 0 : Initial set value (Engine brake level control is activated)
- OFF : Engine brake level control is deactivated.

CAUTION:

Mode of "+1", "0", "-1", "-2", "OFF" can be selected by touching "UP" or "DOWN" on CONSULT-III screen. However, do not select a mode other than "0" and "OFF". Selecting "+1" or "-1" or "-2" may cause irregular driveability.

Check CVT Fluid Deterioration Date

"CVTF DETERIORATION DATE"

- More than 210000 : It is necessary to change CVT fluid.
- Less than 210000 : It is not necessary to change CVT fluid.

CAUTION:

Touch "CLEAR" after changing CVT fluid, and then erase "CVTF DETERIORATION DATE".

SELF DIAGNOSTIC RESULTS MODE

Display Items List

Refer to TM-134. "DTC Index".

DATA MONITOR MODE

Display Items List



## DIAGNOSIS SYSTEM (TCM)

&lt; FUNCTION DIAGNOSIS &gt;

[CVT: RE0F09B]

X: Standard, —: Not applicable, ▼: Option

Monitored Item (Unit)	Monitor item selection			Remarks
	ECU INPUT SIGNALS	MAIN SIGNALS	SELECTION FROM MENU	
VSP SENSOR (km/h)	X	—	▼	Output speed sensor (secondary speed sensor)
ESTM VSP SIG (km/h)	X	—	▼	—
PRI SPEED SEN (rpm)	X	—	▼	—
ENG SPEED SIG (rpm)	X	—	▼	—
SEC HYDR SEN (V)	X	—	▼	—
PRI HYDR SEN (V)	X	—	▼	—
ATF TEMP SEN (V)	X	—	▼	CVT fluid temperature sensor
VIGN SEN (V)	X	—	▼	—
VEHICLE SPEED (km/h or mph)	—	X	▼	Vehicle speed recognized by the TCM.
PRI SPEED (rpm)	—	X	▼	Primary pulley speed
SEC SPEED (rpm)	—	—	▼	Secondary pulley speed
ENG SPEED (rpm)	—	X	▼	—
SLIP REV (rpm)	—	X	▼	Difference between engine speed and primary pulley speed.
GEAR RATIO	—	X	▼	—
G SPEED (G)	—	—	▼	—
ACC PEDAL OPEN (0.0/8)	X	X	▼	Degree of opening for accelerator recognized by the TCM. For fail-safe operation, the specific value used for control is displayed.
TRQ RTO	—	—	▼	—
SEC PRESS (MPa)	—	X	▼	—
PRI PRESS (MPa)	—	X	▼	—
ATFTEMP COUNT	—	X	▼	Means CVT fluid temperature. Actual oil temperature °C (°F) cannot be checked unless a numeric value is converted. Refer to <u>TM-152</u> .
DSR REV (rpm)	—	—	▼	—
DGEAR RATIO	—	—	▼	—
DSTM STEP (step)	—	—	▼	—
STM STEP (step)	—	X	▼	—
LU PRS (MPa)	—	—	▼	—
LINE PRS (MPa)	—	—	▼	—
TGT SEC PRESS (MPa)	—	—	▼	—
ISOLT1 (A)	—	X	▼	Torque converter clutch solenoid valve output current
ISOLT2 (A)	—	X	▼	Pressure control solenoid valve A (line pressure solenoid valve) output current
ISOLT3 (A)	—	X	▼	Pressure control solenoid valve B (secondary pressure solenoid valve) output current



## DIAGNOSIS SYSTEM (TCM)

&lt; FUNCTION DIAGNOSIS &gt;

[CVT: RE0F09B]

Monitored item (Unit)	Monitor item selection			Remarks
	ECU INPUT SIGNALS	MAIN SIGNALS	SELECTION FROM MENU	
SOLMON1 (A)	X	X	▼	Torque converter clutch solenoid valve monitor current
SOLMON2 (A)	X	X	▼	Pressure control solenoid valve A (line pressure solenoid valve) monitor current
SOLMON3 (A)	X	X	▼	Pressure control solenoid valve B (secondary pressure solenoid valve) monitor current
INH SW3M (On/Off)	X	—	▼	PNP switch 3 ON-OFF status monitor
INH SW4 (On/Off)	X	—	▼	PNP switch 4 ON-OFF status
INH SW3 (On/Off)	X	—	▼	PNP switch 3 ON-OFF status
INH SW2 (On/Off)	X	—	▼	PNP switch 2 ON-OFF status
INH SW1 (On/Off)	X	—	▼	PNP switch 1 ON-OFF status
BRAKE SW (On/Off)	X	X	▼	Stop lamp switch (signal input via CAN communications)
FULL SW (On/Off)	X	X	▼	Signal input via CAN communications
IDLE SW (On/Off)	X	X	▼	
SPORT MODE SW (On/Off)	X	X	▼	
STRDWNSW (On/Off)	X	—	▼	Not mounted but displayed.
STRUPSW (On/Off)	X	—	▼	
DOWNLVR (On/Off)	X	—	▼	—
UPLVR (On/Off)	X	—	▼	—
NONMMODE (On/Off)	X	—	▼	—
MMODE (On/Off)	X	—	▼	—
INDLRNG (On/Off)	—	—	▼	—
INDDRNG (On/Off)	—	—	▼	"D" position indicator output
INDNRNG (On/Off)	—	—	▼	"N" position indicator output
INDRRNG (On/Off)	—	—	▼	"R" position indicator output
INDPRNG (On/Off)	—	—	▼	"P" position indicator output
CVT LAMP (On/Off)	—	—	▼	—
SPORT MODE IND (On/Off)	—	—	▼	—
MMODE IND (On/Off)	—	—	▼	—
SMCOIL D (On/Off)	—	—	▼	Step motor coil "D" energizing status
SMCOIL C (On/Off)	—	—	▼	Step motor coil "C" energizing status
SMCOIL B (On/Off)	—	—	▼	Step motor coil "B" energizing status
SMCOIL A (On/Off)	—	—	▼	Step motor coil "A" energizing status
LUSEL SOL OUT (On/Off)	—	—	▼	—
REV LAMP (On/Off)	—	X	▼	—
STRTR RLY OUT (On/Off)	—	—	▼	Starter relay

DIAGNOSIS SYSTEM (TCM)

< FUNCTION DIAGNOSIS >

[CVT: RE0F09B]

Monitored item (Unit)	Monitor item selection			Remarks
	ECU IN-PUT SIG-NALS	MAIN SIG-NALS	SELEC-TION FROM MENU	
LUSEL SOL MON (On/Off)	—	—	▼	—
STRTR RLY MON (On/Off)	—	—	▼	Starter relay monitor
VDC ON (On/Off)	X	—	▼	—
TCS ON (On/Off)	X	—	▼	—
ABS ON (On/Off)	X	—	▼	—
ACC ON (On/Off)	X	—	▼	Not mounted but displayed.
RANGE	—	X	▼	Indicates position is recognized by TCM. Indicates a specific value required for control when fail-safe function is activated.
M GEAR POS	—	X	▼	—
Voltage (V)	—	—	▼	Displays the value measured by the voltage probe.
Frequency (Hz)	—	—	▼	The value measured by the pulse probe is displayed.
DUTY-HI (high) (%)	—	—	▼	
DUTY-LOW (low) (%)	—	—	▼	
PLS WIDTH-HI (ms)	—	—	▼	
PLS WIDTH-LOW (ms)	—	—	▼	

Diagnostic Tool Function

INFOID:000000006191478

Ⓢ OBD SELF-DIAGNOSTIC PROCEDURE (WITH OBD)

Refer to EC-126, "Diagnosis Tool Function".

## U1000 CAN COMM CIRCUIT

&lt; COMPONENT DIAGNOSIS &gt;

[CVT: RE0F09B]

## COMPONENT DIAGNOSIS

## U1000 CAN COMM CIRCUIT

## Description

INFOID:000000006191479

CAN (Controller Area Network) is a serial communication line for real time application. It is an on-vehicle multiplex communication line with high data communication speed and excellent malfunction detection ability. Many electronic control units are equipped onto a vehicle, and each control unit shares information and links with other control units during operation (not independent). In CAN communication, control units are connected with 2 communication lines (CAN-H and CAN-L) allowing a high rate of information transmission with less wiring. Each control unit transmits/receives data but selectively reads required data only.

## DTC Logic

INFOID:000000006191480

## DTC DETECTION LOGIC

DTC	Item (CONSULT-III screen term)	Malfunction is detected when...	Possible cause
U1000	CAN COMM CIRCUIT	When TCM is not transmitting or receiving CAN communication signal for 2 seconds or more.	Harness or connectors (CAN communication line is open or shorted.)

## DTC CONFIRMATION PROCEDURE

## NOTE:

Immediately after performing any "DTC CONFIRMATION PROCEDURE", always turn ignition switch OFF. Then wait at least 10 seconds before performing the next test.

## 1. CHECK DTC DETECTION

## ④ With CONSULT-III

1. Turn ignition switch ON.
2. Start engine and wait for at least 6 seconds.
3. Perform "Self Diagnostic Results" in "TRANSMISSION".

## ④ With GST

Follow the procedure "With CONSULT-III".

Is "U1000 CAN COMM CIRCUIT" detected?

- YES >> Go to TM-45, "Diagnosis Procedure".  
 NO >> Check intermittent incident. Refer to GI-35, "Intermittent Incident".

## Diagnosis Procedure

INFOID:000000006191481

Go to LAN-25, "CAN System Specification Chart".

P0615 START SIGNAL

< COMPONENT DIAGNOSIS >

[CVT: RE0F09B]

P0615 START SIGNAL

Description

INFOID:000000006191482

- TCM controls starter relay in IPDM E/R.
- TCM switches starter relay ON at "P" or "N" position and allows cranking engine.
- Then it prohibits cranking other than at "P" or "N" position.

DTC Logic

INFOID:000000006191483

DTC DETECTION LOGIC

DTC	Item (CONSULT-III screen term)	Malfunction is detected when...	Possible cause
P0615	STARTER RELAY/CIRC	If this signal is ON other than in "P" or "N" position, this is judged to be a malfunction. (And if it is OFF in "P" or "N" position, this too is judged to be a malfunction.)	<ul style="list-style-type: none"> <li>• Harness or connectors (Starter relay and TCM circuit is open or shorted.)</li> <li>• Starter relay circuit</li> </ul>

DTC CONFIRMATION PROCEDURE

NOTE:

Immediately after performing any "DTC CONFIRMATION PROCEDURE", always turn ignition switch OFF. Then wait at least 10 seconds before performing the next test.

1. CHECK DTC DETECTION

ⓐ With CONSULT-III

1. Turn ignition switch ON.
2. Perform "Self Diagnostic Results" in "TRANSMISSION".

Is "P0615 STARTER RELAY/CIRC" detected?

- YES >> Go to TM-46, "Diagnosis Procedure".
- NO >> Check intermittent incident. Refer to GI-35, "Intermittent Incident".

Diagnosis Procedure

INFOID:000000006191484

1. CHECK STARTER RELAY SIGNAL

1. Turn ignition switch OFF.
2. Disconnect IPDM E/R connector.
3. Turn ignition switch ON.
4. Check voltage between IPDM E/R vehicle side harness connector terminal and ground.

IPDM E/R vehicle side harness connector		Ground	Condition	Voltage (Approx.)
Connector	Terminal			
F12	72		Selector lever in "P" and "N" positions	Battery voltage
			Selector lever in other positions	0 V

Is the inspection result normal?

- YES >> Check starter relay and starter control relay. Refer to PCS-11, "Diagnosis Description".
- NO >> GO TO 2.

2. CHECK HARNESS BETWEEN TCM AND IPDM E/R (PART 1)

1. Turn ignition switch OFF.
2. Disconnect TCM connector.
3. Check continuity between TCM vehicle side harness connector terminal and IPDM E/R vehicle side harness connector terminal.

TCM vehicle side harness connector		IPDM E/R vehicle side harness connector		Continuity
Connector	Terminal	Connector	Terminal	
F23	20	F12	72	Existed

## P0615 START SIGNAL

&lt; COMPONENT DIAGNOSIS &gt;

[CVT: RE0F09B]

Is the inspection result normal?

YES &gt;&gt; GO TO 3.

NO &gt;&gt; Repair or replace damaged parts.

**3. CHECK HARNESS BETWEEN TCM AND IPDM E/R (PART 2)**

Check continuity between TCM vehicle side harness connector terminal and ground.

TCM vehicle side harness connector		Ground	Continuity
Connector	Terminal		
F23	20		Not existed

Is the inspection result normal?

YES &gt;&gt; GO TO 4.

NO &gt;&gt; Repair or replace damaged parts.

**4. DETECT MALFUNCTIONING ITEMS**

Check TCM connector pin terminals for damage or loose connection with harness connector.

Is the inspection result normal?YES >> Replace TCM. Refer to TM-168, "Exploded View".

NO &gt;&gt; Repair or replace damaged parts.

# دیجیتال خودرو

شرکت دیجیتال خودرو سامانه (مسئولیت محدود)

اولین سامانه دیجیتال تعمیرکاران خودرو در ایران



**P0703 STOP LAMP SWITCH**

< COMPONENT DIAGNOSIS >

[CVT: RE0F09B]

**P0703 STOP LAMP SWITCH**

**Description**

INFOID:000000006191485

BCM detects ON/OFF state of the stop lamp switch and transmits the data to the TCM via CAN communication by converting the data to a signal.

**DTC Logic**

INFOID:000000006191486

**DTC DETECTION LOGIC**

DTC	Item (CONSULT-III screen term)	Malfunction is detected when...	Possible cause
P0703	BRAKE SW/CIRC	When the brake switch does not switch to ON or OFF.	<ul style="list-style-type: none"> <li>• Harness or connectors</li> <li>- (Stop lamp switch, and BCM circuit are open or shorted.)</li> <li>- (CAN communication line is open or shorted.)</li> <li>• Stop lamp switch</li> </ul>

**DTC CONFIRMATION PROCEDURE**

**CAUTION:**

Always drive vehicle at a safe speed.

**NOTE:**

Immediately after performing any "DTC CONFIRMATION PROCEDURE", always turn ignition switch OFF. Then wait at least 10 seconds before performing the next test.

**1. CHECK DTC DETECTION**

Ⓜ With CONSULT-III

1. Turn ignition switch ON.
2. Start engine.
3. Drive vehicle for at least 3 consecutive seconds.
4. Perform "Self Diagnostic Results" in "TRANSMISSION".

Is "P0703 BRAKE SW/CIRC" detected?

- YES >> Go to TM-48, "Diagnosis Procedure".  
 NO >> Check intermittent incident. Refer to GI-35, "Intermittent Incident".

**Diagnosis Procedure**

INFOID:000000006191487

**1. CHECK STOP LAMP SWITCH CIRCUIT**

1. Turn ignition switch OFF.
2. Check and adjust the installation position of stop lamp switch. Refer to BR-7, "Inspection and Adjustment".
3. Disconnect BCM connector.
4. Turn ignition switch ON.
5. Check voltage between BCM vehicle side harness connector terminal and ground.

BCM vehicle side harness connector		Ground	Condition	Voltage (Approx.)
Connector	Terminal			
M123	118	Ground	Depressed brake pedal	Battery voltage
			Released brake pedal	0 V

Is the inspection result normal?

- YES >> GO TO 5.  
 NO >> GO TO 2.

**2. CHECK HARNESS BETWEEN STOP LAMP SWITCH AND BCM (PART 1)**

1. Turn ignition switch OFF.
2. Disconnect stop lamp switch connector.



**P0703 STOP LAMP SWITCH**

< COMPONENT DIAGNOSIS >

[CVT: RE0F09B]

3. Check continuity between stop lamp switch vehicle side harness connector terminal and BCM vehicle side harness connector terminal.

Stop lamp switch vehicle side harness connector		BCM vehicle side harness connector		Continuity
Connector	Terminal	Connector	Terminal	
E115	2	M123	118	Existed

Is the inspection result normal?

- YES >> GO TO 3.
- NO >> Repair or replace damaged parts.

**3. CHECK HARNESS BETWEEN STOP LAMP SWITCH AND BCM (PART 2)**

Check continuity between BCM vehicle side harness connector terminal and ground.

BCM vehicle side harness connector		Ground	Continuity
Connector	Terminal		
M123	118		Not existed

Is the inspection result normal?

- YES >> GO TO 4.
- NO >> Repair or replace damaged parts.

**4. CHECK STOP LAMP SWITCH**

Check stop lamp switch. Refer to TM-49. "Component Inspection (Stop Lamp Switch)".

Is the inspection result normal?

- YES >> Check the following.
  - Harness for short or open between battery and stop lamp switch
  - 10A fuse [No. 7, located in fuse block (J/B)]
- NO >> Repair or replace stop lamp switch.

**5. CHECK BCM**

- ⓑ With CONSULT-III
  1. Turn ignition switch OFF.
  2. Connect BCM connector.
  3. Turn ignition switch ON.
  4. Select "BRAKE SW 1" in "Data Monitor" in "BCM" and verify the proper operation of ON/OFF. Refer to BCS-139. "Reference Value".

Is the inspection result normal?

- YES >> GO TO 6.
- NO >> Replace BCM. Refer to BCS-96. "Exploded View" (Except for South Africa), BCS-177. "Exploded View" (For South Africa).

**6. DETECT MALFUNCTIONING ITEMS**

Check TCM connector pin terminals for damage or loose connection with harness connector.

Is the inspection result normal?

- YES >> Replace TCM. Refer to TM-168. "Exploded View".
- NO >> Repair or replace damaged parts.

**Component Inspection (Stop Lamp Switch)**

INFOID:000000006191488

**1. CHECK STOP LAMP SWITCH**

Check continuity between stop lamp switch connector terminals.

Stop lamp switch connector			Condition	Continuity
Connector	Terminal			
E115	1	2	Depressed brake pedal	Existed
			Released brake pedal	Not existed

P0703 STOP LAMP SWITCH

< COMPONENT DIAGNOSIS >

[CVT: RE0F09B]

Is the inspection result normal?

YES >> INSPECTION END

NO >> Replace stop lamp switch. Refer to BR-18, "Exploded View".

دیجیتال خودرو

شرکت دیجیتال خودرو سامانه (مسئولیت محدود)

اولین سامانه دیجیتال تعمیرکاران خودرو در ایران



P0705 PARK/NEUTRAL POSITION SWITCH

< COMPONENT DIAGNOSIS >

[CVT: RE0F09B]

P0705 PARK/NEUTRAL POSITION SWITCH

Description

INFOID:000000006191489

- The PNP switch is included in the control valve assembly.
- The PNP switch includes 4 transmission position switches.
- TCM judges the selector lever position by the PNP switch signal.

Shift position	PNP switch 1	PNP switch 2	PNP switch 3	PNP switch 4	PNP switch 3 (monitor)
P	OFF	OFF	OFF	OFF	OFF
R	ON	OFF	OFF	ON	OFF
N	ON	ON	OFF	OFF	OFF
D	ON	ON	ON	ON	ON
L*	OFF	ON	ON	OFF	ON

\*: Sport mode

DTC Logic

INFOID:000000006191490

DTC DETECTION LOGIC

DTC	Item (CONSULT-III screen term)	Malfunction is detected when...	Possible cause
P0705	PNP SW/CIRC	TCM does not receive the correct voltage signal (based on the gear position) from the switch.	<ul style="list-style-type: none"> <li>• Harness or connectors (PNP switches circuit is open or shorted.)</li> <li>• PNP switch</li> </ul>

DTC CONFIRMATION PROCEDURE

CAUTION:

Always drive vehicle at a safe speed.

NOTE:

Immediately after performing any "DTC CONFIRMATION PROCEDURE", always turn ignition switch OFF. Then wait at least 10 seconds before performing the next test.

1. CHECK DTC DETECTION

Ⓚ With CONSULT-III

1. Turn ignition switch ON.
2. Select "Data Monitor" in "TRANSMISSION".
3. Start engine.
4. Drive vehicle and maintain the following conditions for at least 2 consecutive seconds.

VEHICLE SPEED	: More than 10 km/h (6 MPH)
ENG SPEED SIG	: More than 450 rpm
ACC PEDAL OPEN	: More than 1.0/8

Ⓚ With GST

Follow the procedure "With CONSULT-III".

Is "P0705 PNP SW/CIRC" detected?

- YES >> Go to TM-51. "Diagnosis Procedure".
- NO >> Check intermittent incident. Refer to GI-35. "Intermittent Incident".

Diagnosis Procedure

INFOID:000000006191491

1. CHECK CVT POSITION

1. Disconnect CVT unit connector.
2. Remove control cable from manual lever. Refer to TM-174. "Exploded View".
3. Check PNP switch. Refer to TM-52. "Component Inspection".

Is the inspection result normal?

**P0705 PARK/NEUTRAL POSITION SWITCH**

< COMPONENT DIAGNOSIS >

[CVT: RE0F09B]

YES >> Adjust CVT position. Refer to TM-166, "SPORT MODE : Inspection and Adjustment" (Sport mode), TM-166, "MANUAL MODE : Inspection and Adjustment" (Manual mode).

NO >> GO TO 2.

**2. CHECK HARNESS BETWEEN TCM AND PNP SWITCH (PART 1)**

1. Turn ignition switch OFF.
2. Disconnect TCM connector.
3. Check continuity between TCM vehicle side harness connector terminals and CVT unit vehicle side harness connector terminals.

TCM vehicle side harness connector		CVT unit vehicle side harness connector		Continuity
Connector	Terminal	Connector	Terminal	
F23	1	F24	5	Existed
	2		14	
	3		15	
	4		18	
	11		4	

Is the inspection result normal?

YES >> GO TO 3.

NO >> Repair or replace damaged parts.

**3. CHECK HARNESS BETWEEN TCM AND PNP SWITCH (PART 2)**

Check continuity between TCM vehicle side harness connector terminals and ground.

TCM vehicle side harness connector		Ground	Continuity
Connector	Terminal		
F23	1	Ground	Not existed
	2		
	3		
	4		
	11		

Is the inspection result normal?

YES >> GO TO 4.

NO >> Repair or replace damaged parts.

**4. DETECT MALFUNCTIONING ITEMS**

Check TCM connector pin terminals for damage or loose connection with harness connector.

Is the inspection result normal?

YES >> Replace TCM. Refer to TM-168, "Exploded View".

NO >> Repair or replace damaged parts.

**Component Inspection**

INFOID:000000006191492

**1. CHECK PNP SWITCH**

Check the continuity of the PNP switch by changing selector lever to various positions and checking continuity between CVT unit connector terminals and ground.

P0705 PARK/NEUTRAL POSITION SWITCH

< COMPONENT DIAGNOSIS >

[CVT: RE0F09B]

Shift position	CVT unit connector		Continuity
	Connector	Terminal	
P	F24	4, 5, 14, 15, 18	Not existed
R		4, 15	Existed
		5, 14, 18	Not existed
N		4, 5	Existed
		14, 15, 18	Not existed
D		4, 5, 14, 15, 18	Existed
L*		5, 14, 18	Existed
		4, 15	Not existed

\*: Sport mode

Is the inspection result normal?

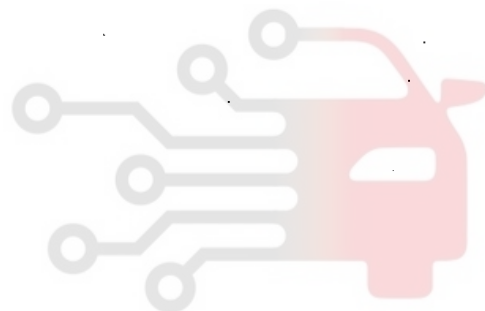
YES >> INSPECTION END

NO >> Replace transaxle assembly. Refer to TM-189. "Exploded View".

دیجیتال خودرو

شرکت دیجیتال خودرو سامانه (مسئولیت محدود)

اولین سامانه دیجیتال تعمیرکاران خودرو در ایران



A  
B  
C  
TM  
E  
F  
G  
H  
I  
J  
K  
L  
M  
N  
O  
P

**P0710 CVT FLUID TEMPERATURE SENSOR**

< COMPONENT DIAGNOSIS >

[CVT: RE0F09B]

**P0710 CVT FLUID TEMPERATURE SENSOR**

**Description**

INFOID:000000006191493

The CVT fluid temperature sensor detects the CVT fluid temperature and sends a signal to the TCM.

**DTC Logic**

INFOID:000000006191494

**DTC DETECTION LOGIC**

DTC	Item (CONSULT-III screen term)	Malfunction is detected when...	Possible cause
P0710	ATF TEMP SEN/CIRC	During running, the CVT fluid temperature sensor signal voltage is excessively high or low.	<ul style="list-style-type: none"> <li>• Harness or connectors (Sensor circuit is open or shorted.)</li> <li>• CVT fluid temperature sensor</li> </ul>

**DTC CONFIRMATION PROCEDURE**

**CAUTION:**

**Always drive vehicle at a safe speed.**

**NOTE:**

Immediately after performing any "DTC CONFIRMATION PROCEDURE", always turn ignition switch OFF. Then wait at least 10 seconds before performing the next test.

**1. CHECK DTC DETECTION**

Ⓜ With CONSULT-III

1. Turn ignition switch ON.
2. Select "Data Monitor" in "TRANSMISSION".
3. Start engine and maintain the following conditions for at least 10 minutes (total).

VEHICLE SPEED	: 10 km/h (6 MPH) or more
ENG SPEED	: 450 rpm or more
ACC PEDAL OPEN RANGE	: More than 1.0/8 "D" position

Ⓜ With GST

Follow the procedure "With CONSULT-III".

Is "P0710 ATF TEMP SEN/CIRC" detected?

- YES >> Go to TM-54, "Diagnosis Procedure".  
 NO >> Check intermittent incident. Refer to GI-35, "Intermittent Incident".

**Diagnosis Procedure**

INFOID:000000006191495

**1. CHECK CVT FLUID TEMPERATURE SENSOR CIRCUIT**

1. Turn ignition switch OFF.
2. Disconnect TCM connector.
3. Check resistance between TCM vehicle side harness connector terminals.

TCM vehicle side harness connector		Condition	Resistance (Approx.)
Connector	Terminal		
F23	13 25	When CVT fluid temperature is 20°C (68°F)	6.5 kΩ
		When CVT fluid temperature is 80°C (176°F)	0.9 kΩ

Is the inspection result normal?

- YES >> GO TO 5.  
 NO >> GO TO 2.

**2. CHECK HARNESS BETWEEN TCM AND CVT UNIT (CVT TEMPERATURE SENSOR) (PART 1)**

1. Disconnect CVT unit connector.



**P0710 CVT FLUID TEMPERATURE SENSOR**

[CVT: RE0F09B]

< COMPONENT DIAGNOSIS >

2. Check continuity between TCM vehicle side harness connector terminals and CVT unit vehicle side harness connector terminals.

TCM vehicle side harness connector		CVT unit vehicle side harness connector		Continuity
Connector	Terminal	Connector	Terminal	
F23	13	F24	17	Existed
	25		19	

Is the inspection result normal?

YES >> GO TO 3.

NO >> Repair or replace damaged parts.

**3.CHECK HARNESS BETWEEN TCM AND CVT UNIT (CVT TEMPERATURE SENSOR) (PART 2)**

Check continuity between TCM vehicle side harness connector terminals and ground.

TCM vehicle side harness connector		Ground	Continuity
Connector	Terminal		
F23	13		Not existed
	25		

Is the inspection result normal?

YES >> GO TO 4.

NO >> Repair or replace damaged parts.

**4.CHECK CVT FLUID TEMPERATURE SENSOR**

Check CVT fluid temperature sensor. Refer to TM-55, "Component Inspection (CVT Fluid Temperature Sensor)".

Is the inspection result normal?

YES >> GO TO 5.

NO >> Replace transaxle assembly. Refer to TM-189, "Exploded View".

**5.DETECT MALFUNCTIONING ITEMS**

Check TCM connector pin terminals for damage or loose connection with harness connector.

Is the inspection result normal?

YES >> Replace TCM. Refer to TM-168, "Exploded View".

NO >> Repair or replace damaged parts.

**Component Inspection (CVT Fluid Temperature Sensor)**

INFOID:000000006191496

**1.CHECK CVT FLUID TEMPERATURE SENSOR**

Check resistance between CVT unit connector terminals.

CVT unit connector			Condition	Resistance (Approx.)
Connector	Terminal			
F24	17	19	When CVT fluid temperature is 20°C (68°F)	6.5 kΩ
			When CVT fluid temperature is 80°C (176°F)	0.9 kΩ

Is the inspection result normal?

YES >> INSPECTION END

NO >> Replace transaxle assembly. Refer to TM-189, "Exploded View".

**P0715 INPUT SPEED SENSOR (PRI SPEED SENSOR)**

< COMPONENT DIAGNOSIS >

[CVT: RE0F09B]

**P0715 INPUT SPEED SENSOR (PRI SPEED SENSOR)**

**Description**

INFOID:000000006191497

The input speed sensor (primary speed sensor) detects the primary pulley revolution speed and sends a signal to the TCM.

**DTC Logic**

INFOID:000000006191498

**DTC DETECTION LOGIC**

DTC	Item (CONSULT-III screen term)	Malfunction is detected when...	Possible cause
P0715	INPUT SPD SEN/CIRC	<ul style="list-style-type: none"> <li>Input speed sensor (primary speed sensor) signal is not input due to an open circuit.</li> <li>An unexpected signal is input when vehicle is being driven.</li> </ul>	<ul style="list-style-type: none"> <li>Harness or connectors (Sensor circuit is open or shorted.)</li> <li>Input speed sensor (primary speed sensor)</li> </ul>

**DTC CONFIRMATION PROCEDURE**

**CAUTION:**

**Always drive vehicle at a safe speed.**

**NOTE:**

Immediately after performing any "DTC CONFIRMATION PROCEDURE", always turn ignition switch OFF. Then wait at least 10 seconds before performing the next test.

**1. CHECK DTC DETECTION**

**ⓑ With CONSULT-III**

- Turn ignition switch ON.
- Select "Data Monitor" in "TRANSMISSION".
- Start engine and maintain the following conditions for at least 5 consecutive seconds.

- VEHICLE SPEED : 10 km/h (6 MPH) or more
- ACC PEDAL OPEN : More than 1.0/8
- RANGE : "D" position
- ENG SPEED : 450 rpm or more
- Driving location : Driving the vehicle uphill (increased engine load) will help maintain the driving conditions required for this test.

**Ⓒ With GST**

Follow the procedure "With CONSULT-III".

**Is "P0715 INPUT SPD SEN/CIRC" detected?**

- YES >> Go to TM-56, "Diagnosis Procedure".
- NO >> Check intermittent incident. Refer to G1-35, "Intermittent Incident".

**Diagnosis Procedure**

INFOID:000000006191499

**1. CHECK INPUT SPEED SENSOR (PRIMARY SPEED SENSOR)**

- Start engine.
- Check voltage between TCM connector terminals.

Connector	TCM connector		Voltage (Approx.)
	Terminal	Terminal	
F23	25	26	4.75 – 5.25 V

- If OK, check the pulse when vehicle drive.

**P0715 INPUT SPEED SENSOR (PRI SPEED SENSOR)**

< COMPONENT DIAGNOSIS >

[CVT: RE0F09B]

TCM connector		Condition	Voltage (Approx.)
Connector	Terminal		
F23	33	Sport mode	When driving ["L"position, 20 km/h (12 MPH)]
		Manual mode	When driving ["M"position, 20 km/h (12 MPH)]

Is the inspection result normal?

YES >> GO TO 7.

NO-1 (Battery voltage is not supplied)>>GO TO 2.

NO-2 (Battery voltage is supplied, but there is a malfunction in the frequency)>>GO TO 4.

**2. CHECK HARNESS BETWEEN TCM AND CVT UNIT HARNESS CONNECTOR (SENSOR POWER AND SENSOR GROUND) (PART 1)**

1. Turn ignition switch OFF.
2. Disconnect TCM connector and CVT unit connector.
3. Check continuity between TCM vehicle side harness connector terminals and CVT unit vehicle side harness connector terminals.

TCM vehicle side harness connector		CVT unit vehicle side harness connector		Continuity
Connector	Terminal	Connector	Terminal	
F23	25	F24	19	Existed
	26		20	

Is the inspection result normal?

YES >> GO TO 3.

NO >> Repair or replace damaged parts.

**3. CHECK HARNESS BETWEEN TCM AND CVT UNIT HARNESS CONNECTOR (SENSOR POWER AND SENSOR GROUND) (PART 2)**

Check continuity between TCM vehicle side harness connector terminals and ground.

TCM vehicle side harness connector		Ground	Continuity
Connector	Terminal		
F23	25		Not existed
	26		

Is the inspection result normal?

YES >> GO TO 6.

NO >> Repair or replace damaged parts.

**4. CHECK HARNESS BETWEEN TCM AND CVT UNIT HARNESS CONNECTOR [INPUT SPEED SENSOR (PRIMARY SPEED SENSOR)] (PART 1)**

1. Turn ignition switch OFF.
2. Check continuity between TCM vehicle side harness connector terminal and CVT unit vehicle side harness connector terminal.

TCM vehicle side harness connector		CVT unit vehicle side harness connector		Continuity
Connector	Terminal	Connector	Terminal	
F23	33	F24	22	Existed

Is the inspection result normal?

YES >> GO TO 5.

NO >> Repair or replace damaged parts.

**5. CHECK HARNESS BETWEEN TCM AND CVT UNIT HARNESS CONNECTOR [INPUT SPEED SENSOR (PRIMARY SPEED SENSOR)] (PART 2)**

Check continuity between TCM vehicle side harness connector terminal and ground.

## P0715 INPUT SPEED SENSOR (PRI SPEED SENSOR)

&lt; COMPONENT DIAGNOSIS &gt;

[CVT: RE0F09B]

TCM vehicle side harness connector		Ground	Continuity
Connector	Terminal		
F23	33		Not existed

Is the inspection result normal?

- YES >> GO TO 6.  
>> Repair or replace damaged parts.

**6. CHECK THE TCM SHORT**

1. Replace with the same type of TCM. Refer to TM-168. "Exploded View".
2. Connect each connectors.
3. Perform "DTC CONFIRMATION PROCEDURE". Refer to TM-56. "DTC Logic".

Is the "P0715 INPUT SPD SEN/CIRC" detected again?

- YES >> GO TO 7.  
NO >> Check intermittent incident. Refer to GI-35. "Intermittent Incident".

**7. DETECT MALFUNCTIONING ITEMS**

Check TCM connector pin terminals for damage or loose connection with harness connector.

Is the inspection result normal?

- YES >> Replace TCM. Refer to TM-168. "Exploded View".  
NO >> Repair or replace damaged parts.

# دیجیتال خودرو

شرکت دیجیتال خودرو سامانه (مسئولیت محدود)

اولین سامانه دیجیتال تعمیرکاران خودرو در ایران



**P0720 VEHICLE SPEED SENSOR CVT (SECONDARY SPEED SENSOR)**

< COMPONENT DIAGNOSIS >

[CVT: RE0F09B]

**P0720 VEHICLE SPEED SENSOR CVT (SECONDARY SPEED SENSOR)**

**Description**

INFOID:000000006191500

The vehicle speed sensor CVT [output speed sensor (secondary speed sensor)] detects the revolution of the CVT output shaft and emits a pulse signal. The pulse signal is transmitted to the TCM, which converts it into vehicle speed.

**DTC Logic**

INFOID:000000006191501

**DTC DETECTION LOGIC**

DTC	Item (CONSULT-III screen term)	Malfunction is detected when...	Possible cause
P0720	VEH SPD SEN/CIR AT	<ul style="list-style-type: none"> <li>Signal from vehicle speed sensor CVT [output speed sensor (secondary speed sensor)] is not input due to open or short circuit.</li> <li>An unexpected signal is input during running.</li> </ul>	<ul style="list-style-type: none"> <li>Harness or connectors (Sensor circuit is open or shorted.)</li> <li>Output speed sensor (secondary speed sensor)</li> </ul>

**DTC CONFIRMATION PROCEDURE**

**CAUTION:**

Always drive vehicle at a safe speed.

**NOTE:**

Immediately after performing any "DTC CONFIRMATION PROCEDURE", always turn ignition switch OFF. Then wait at least 10 seconds before performing the next test.

**1. CHECK DTC DETECTION**

ⓐ With CONSULT-III

- Turn ignition switch ON.
- Select "Data Monitor" in "TRANSMISSION".
- Start engine and maintain the following conditions for at least 12 consecutive seconds.

ACC PEDAL OPEN	: More than 1.0/8
RANGE	: "D" position
Driving location	: Driving the vehicle uphill (increased engine load) will help maintain the driving conditions required for this test.

ⓑ With GST

Follow the procedure "With CONSULT-III".

Is "P0720 VEH SPD SEN/CIR AT" detected?

YES >> Go to TM-59, "Diagnosis Procedure".

NO >> Check intermittent incident. Refer to GI-35, "Intermittent Incident".

**Diagnosis Procedure**

INFOID:000000006191502

**1. CHECK OUTPUT SPEED SENSOR (SECONDARY SPEED SENSOR)**

ⓐ With CONSULT-III

Check the pulse when vehicle drive.

TCM connector		Condition	Data (Approx.)
Connector	Terminal		
F23	34	When driving ["D" position, 20 km/h (12 MPH)]	350 Hz

Is the inspection result normal?

YES >> GO TO 11.

NO >> GO TO 2.

**2. CHECK POWER AND SENSOR GROUND**

**P0720 VEHICLE SPEED SENSOR CVT (SECONDARY SPEED SENSOR)**

< COMPONENT DIAGNOSIS >

[CVT: RE0F09B]

1. Turn ignition switch OFF.
2. Disconnect output speed sensor (secondary speed sensor) connector.
3. Turn ignition switch ON.
4. Check voltage between output speed sensor (secondary speed sensor) vehicle side harness connector terminals.

Output speed sensor (secondary speed sensor) vehicle side harness connector			Voltage (Approx.)
Connector	Terminal		
F19	1	3	Battery voltage

5. Check voltage between output speed sensor (secondary speed sensor) vehicle side harness connector terminal and ground.

Output speed sensor (secondary speed sensor) vehicle side harness connector		Ground	Voltage (Approx.)
Connector	Terminal		
F19	3		Battery voltage

Is the inspection result normal?

YES >> GO TO 3.

NO-1 (Battery voltage is not supplied between terminals 1 and 3, terminal 3 and ground)>>GO TO 6.

NO-2 (Battery voltage is not supplied between terminals 1 and 3 only)>>GO TO 8.

**3. CHECK HARNESS BETWEEN TCM AND OUTPUT SPEED SENSOR (SECONDARY SPEED SENSOR) (SENSOR GROUND)**

1. Turn ignition switch OFF.
2. Disconnect TCM connector.
3. Check continuity between TCM vehicle side harness connector terminal and ground.

TCM vehicle side harness connector		Ground	Continuity
Connector	Terminal		
F23	7		Not existed

Is the inspection result normal?

YES >> GO TO 4.

NO >> Repair or replace damaged parts.

**4. CHECK HARNESS BETWEEN TCM AND OUTPUT SPEED SENSOR (SECONDARY SPEED SENSOR) (PART 1)**

Check continuity between TCM vehicle side harness connector terminal and output speed sensor (secondary speed sensor) vehicle side harness connector terminal.

TCM vehicle side harness connector		Output speed sensor (secondary speed sensor) vehicle side harness connector		Continuity
Connector	Terminal	Connector	Terminal	
F23	34	F19	2	Existed

Is the inspection result normal?

YES >> GO TO 5.

NO >> Repair or replace damaged parts.

**5. CHECK HARNESS BETWEEN TCM AND OUTPUT SPEED SENSOR (SECONDARY SPEED SENSOR) (PART 2)**

Check continuity between TCM vehicle side harness connector terminal and ground.

TCM vehicle side harness connector		Ground	Continuity
Connector	Terminal		
F23	34		Not existed



**P0720 VEHICLE SPEED SENSOR CVT (SECONDARY SPEED SENSOR)**

[CVT: RE0F09B]

< COMPONENT DIAGNOSIS >

Is the inspection result normal?

- YES >> GO TO 10.
- NO >> Repair or replace damaged parts.

**6. CHECK HARNESS BETWEEN IPDM E/R AND OUTPUT SPEED SENSOR (SECONDARY SPEED SENSOR) (POWER) (PART 1)**

1. Turn ignition switch OFF.
2. Disconnect IPDM E/R connector and TCM connector.
3. Check continuity between IPDM E/R vehicle side harness connector terminal and output speed sensor (secondary speed sensor) vehicle side harness connector terminal.

IPDM E/R vehicle side harness connector		Output speed sensor (secondary speed sensor) vehicle side harness connector		Continuity
Connector	Terminal	Connector	Terminal	
F12	58	F19	3	Existed

Is the inspection result normal?

- YES >> GO TO 7.
- NO >> Repair or replace damaged parts.

**7. CHECK HARNESS BETWEEN IPDM E/R AND OUTPUT SPEED SENSOR (SECONDARY SPEED SENSOR) (POWER) (PART 2)**

Check continuity between IPDM E/R vehicle side harness connector terminal and ground.

IPDM E/R vehicle side harness connector		Ground	Continuity
Connector	Terminal		
F12	58		Not existed

Is the inspection result normal?

- YES >> Check the following. If NG, repair or replace damaged parts.
  - Harness for short or open between ignition switch and IPDM E/R
  - 10A fuse (No. 43, located in IPDM E/R)
  - Ignition switch
- NO >> Repair or replace damaged parts.

**8. CHECK HARNESS BETWEEN TCM AND OUTPUT SPEED SENSOR (SECONDARY SPEED SENSOR) (SENSOR GROUND) (PART 1)**

1. Turn ignition switch OFF.
2. Disconnect TCM connector.
3. Check continuity between TCM vehicle side harness connector terminal and output speed sensor (secondary speed sensor) vehicle side harness connector terminal.

TCM vehicle side harness connector		Output speed sensor (secondary speed sensor) vehicle side harness connector		Continuity
Connector	Terminal	Connector	Terminal	
F23	7	F19	1	Existed

Is the inspection result normal?

- YES >> GO TO 9.
- NO >> Repair or replace damaged parts.

**9. CHECK HARNESS BETWEEN TCM AND OUTPUT SPEED SENSOR (SECONDARY SPEED SENSOR) (SENSOR GROUND) (PART 2)**

Check continuity between TCM vehicle side harness connector terminal and ground.

TCM vehicle side harness connector		Ground	Continuity
Connector	Terminal		
F23	7		Not existed

**P0720 VEHICLE SPEED SENSOR CVT (SECONDARY SPEED SENSOR)**

&lt; COMPONENT DIAGNOSIS &gt;

**[CVT: RE0F09B]**Is the inspection result normal?

- YES >> GO TO 10.  
 NO >> Repair or replace damaged parts.

**10. CHECK TCM**

1. Replace with the same type of TCM. Refer to TM-168, "Exploded View".
2. Perform "DTC CONFIRMATION PROCEDURE". Refer to TM-59, "DTC Logic".

Is "P0720 VEH SPD SEN/CIR AT" detected?

- YES >> Replace the secondary speed sensor. Refer to TM-178, "Exploded View".  
 NO >> Replace TCM. Refer to TM-168, "Exploded View".

**11. DETECT MALFUNCTIONING ITEMS**

Check TCM connector pin terminals for damage or loose connection with harness connector.

Is the inspection result normal?

- YES >> Replace TCM. Refer to TM-168, "Exploded View".  
 NO >> Repair or replace damaged parts.

# دیجیتال خودرو

شرکت دیجیتال خودرو سامانه (مسئولیت محدود)

اولین سامانه دیجیتال تعمیرکاران خودرو در ایران



P0725 ENGINE SPEED SIGNAL

< COMPONENT DIAGNOSIS >

[CVT: RE0F09B]

P0725 ENGINE SPEED SIGNAL

Description

INFOID:000000006191503

The engine speed signal is transmitted from ECM to TCM via CAN communication line.

DTC Logic

INFOID:000000006191504

DTC DETECTION LOGIC

DTC	Item (CONSULT-III screen term)	Malfunction is detected when...	Possible cause
P0725	ENGINE SPEED SIG	<ul style="list-style-type: none"> <li>• TCM does not receive the CAN communication signal from the ECM.</li> <li>• Engine speed is too low while driving.</li> </ul>	Harness or connectors (The ECM to the TCM circuit is open or shorted.)

DTC CONFIRMATION PROCEDURE

CAUTION:

Always drive vehicle at a safe speed.

NOTE:

Immediately after performing any "DTC CONFIRMATION PROCEDURE", always turn ignition switch OFF. Then wait at least 10 seconds before performing the next test.

1. CHECK DTC DETECTION

Ⓐ With CONSULT-III

1. Turn ignition switch ON.
2. Select "Data Monitor" in "TRANSMISSION".
3. Start engine and maintain the following conditions for at least 10 consecutive seconds.

شرکت دیجیتال خودرو سامانه (محدود) : More than 1000 rpm

Is "P0725 ENGINE SPEED SIG" detected?

- YES >> Go to TM-63, "Diagnosis Procedure".
- NO >> Check intermittent incident. Refer to GI-35, "Intermittent Incident".

Diagnosis Procedure

INFOID:000000006191505

1. CHECK DTC WITH ECM

Ⓐ With CONSULT-III

1. Turn ignition switch ON.
2. Perform "Self Diagnostic Results" in "ENGINE".

Is the inspection result normal?

- YES >> GO TO 2.
- NO >> Check DTC detected item. Refer to EC-395, "DTC Index" [With OBD (VQ35DE TYPE 1)], EC-769, "DTC Index" [Without OBD (VQ35DE TYPE 2)].

2. CHECK DTC WITH TCM

Ⓐ With CONSULT-III

Perform "Self Diagnostic Results" in "TRANSMISSION".

Is "P0725 ENGINE SPEED SIG" detected?

- YES >> Replace TCM. Refer to TM-168, "Exploded View".
- NO >> GO TO 3.

3. DETECT MALFUNCTIONING ITEMS

Check TCM connector pin terminals for damage or loose connection with harness connector.

Is the inspection result normal?

- YES >> Replace TCM. Refer to TM-168, "Exploded View".
- NO >> Repair or replace damaged parts.

## P0730 BELT DAMAGE

&lt; COMPONENT DIAGNOSIS &gt;

[CVT: RE0F09B]

## P0730 BELT DAMAGE

## Description

INFOID:000000006191506

TCM selects the gear ratio using the engine load (throttle position), the primary pulley revolution speed, and the secondary pulley revolution speed as input signals. Then it changes the operating pressure of the primary pulley and the secondary pulley and changes the groove width of the pulley.

## DTC Logic

INFOID:000000006191507

## DTC DETECTION LOGIC

DTC	Item (CONSULT-III screen term)	Malfunction is detected when...	Possible cause
P0730	BELT DAMG	Unexpected gear ratio detected.	Transaxle assembly

## DTC CONFIRMATION PROCEDURE

## CAUTION:

Always drive vehicle at a safe speed.

## NOTE:

Immediately after performing any "DTC CONFIRMATION PROCEDURE", always turn ignition switch OFF. Then wait at least 10 seconds before performing the next test.

## 1. CHECK DTC DETECTION

## ⓐ With CONSULT-III

1. Turn ignition switch ON.
2. Select "Data Monitor" in "TRANSMISSION".
3. Check that output voltage of CVT fluid temperature sensor is within the range below.

ATF TEMP SEN : 1.0 - 2.0 V

If it is out of range, drive the vehicle to decrease the voltage (warm up the fluid) or stop engine to increase the voltage (cool down the fluid)

4. Start engine and maintain the following conditions for at least 30 consecutive seconds.

Start test from 0 km/h (0 MPH)

Constant acceleration : Keep 30 seconds or more

VEHICLE SPEED : 10 km/h (6 MPH) or more

ACC PEDAL OPEN : More than 1.0/8

RANGE : "D" position

ENG SPEED : 450 rpm or more

## Is "P0730 BELT DAMG" detected?

YES >> Go to TM-64, "Diagnosis Procedure".

NO >> Check intermittent incident. Refer to GI-35, "Intermittent Incident".

## Diagnosis Procedure

INFOID:000000006191508

## 1. CHECK DTC

## ⓐ With CONSULT-III

1. Turn ignition switch ON.
2. Perform "Self Diagnostic Results" in "TRANSMISSION".

## Are any DTC detected?

YES-1 (DTC for "P0730 BELT DAMG" is detected)>>Replace transaxle assembly. Refer to TM-189, "Exploded View".

YES-2 (DTC except for "P0730 BELT DAMG" is detected)>>Check DTC detected item. Refer to TM-41, "CONSULT-III Function (TRANSMISSION)".

NO >> GO TO 2.

## 2. DETECT MALFUNCTIONING ITEMS

## P0730 BELT DAMAGE

## &lt; COMPONENT DIAGNOSIS &gt;

[CVT: RE0F09B]

Check TCM connector pin terminals for damage or loose connection with harness connector.

Is the inspection result normal?

YES >> Replace TCM. Refer to TM-168, "Exploded View".

NO >> Repair or replace damaged parts.

A

B

C

TM

E

F

G

H

I

J

K

L

M

N

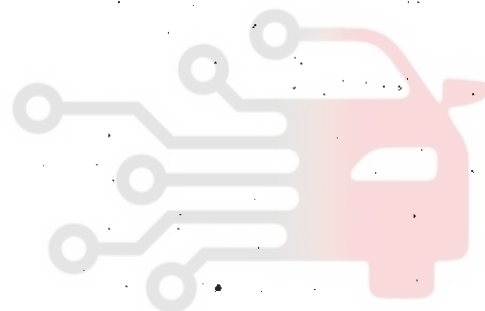
O

P

# دیجیتال خودرو

شرکت دیجیتال خودرو سامانه (مسئولیت محدود)

اولین سامانه دیجیتال تعمیرکاران خودرو در ایران



**P0740 TORQUE CONVERTER CLUTCH SOLENOID VALVE**

< COMPONENT DIAGNOSIS >

[CVT: RE0F09B]

**P0740 TORQUE CONVERTER CLUTCH SOLENOID VALVE**

**Description**

INFOID:000000006191509

- The torque converter clutch solenoid valve is activated by the TCM in response to signals sent from the vehicle speed and accelerator pedal position sensors. Lock-up piston operation will then be controlled.
- Lock-up operation, however, is prohibited when CVT fluid temperature is too low.
- When the accelerator pedal is depressed (less than 2.0/8) in lock-up condition, the engine speed should not change abruptly. If there is a big jump in engine speed, there is no lock-up.

**DTC Logic**

INFOID:000000006191510

**DTC DETECTION LOGIC**

DTC	Item (CONSULT-III screen term)	Malfunction is detected when...	Possible cause
P0740	TCC SOLENOID/CIRC	Normal voltage is not applied to solenoid due to open or short circuit.	<ul style="list-style-type: none"> <li>• Torque converter clutch solenoid valve</li> <li>• Harness or connectors (Solenoid circuit is open or shorted.)</li> </ul>

**DTC CONFIRMATION PROCEDURE**

**NOTE:**

Immediately after performing any "DTC CONFIRMATION PROCEDURE", always turn ignition switch OFF. Then wait at least 10 seconds before performing the next test.

**1. CHECK DTC DETECTION**

Ⓜ With CONSULT-III

1. Turn ignition switch ON.
2. Wait at least 10 consecutive seconds.
3. Perform "Self Diagnostic Results" in "TRANSMISSION".

Ⓜ With GST

Follow the procedure "With CONSULT-III".

Is "P0740 TCC SOLENOID/CIRC" detected?

- YES >> Go to TM-66. "Diagnosis Procedure".  
 NO >> Check intermittent incident. Refer to GI-35. "Intermittent Incident".

**Diagnosis Procedure**

INFOID:000000006191511

**1. CHECK TORQUE CONVERTER CLUTCH SOLENOID VALVE CIRCUIT**

1. Turn ignition switch OFF.
2. Disconnect TCM connector.
3. Check resistance between TCM vehicle side harness connector terminal and ground.

TCM vehicle side harness connector		Ground	Resistance (Approx.)
Connector	Terminal		
F23	38		3.0 – 9.0 Ω

Is the inspection result normal?

- YES >> GO TO 5.  
 NO >> GO TO 2.

**2. CHECK HARNESS BETWEEN TCM AND CVT UNIT (TORQUE CONVERTER CLUTCH SOLENOID VALVE) (PART 1)**

1. Disconnect CVT unit connector.
2. Check continuity between TCM vehicle side harness connector terminal and CVT unit vehicle side harness connector terminal.



**P0740 TORQUE CONVERTER CLUTCH SOLENOID VALVE**

[CVT: RE0F09B]

< COMPONENT DIAGNOSIS >

TCM vehicle side harness connector		CVT unit vehicle side harness connector		Continuity
Connector	Terminal	Connector	Terminal	
F23	38	F24	12	Existed

Is the inspection result normal?

- YES >> GO TO 3.
- NO >> Repair or replace damaged parts.

**3. CHECK HARNESS BETWEEN TCM AND CVT UNIT (TORQUE CONVERTER CLUTCH SOLENOID VALVE) (PART 2)**

Check continuity between TCM vehicle side harness connector terminal and ground.

TCM vehicle side harness connector		Ground	Continuity
Connector	Terminal		
F23	38		Not existed

Is the inspection result normal?

- YES >> GO TO 4.
- NO >> Repair or replace damaged parts.

**4. CHECK TORQUE CONVERTER CLUTCH SOLENOID VALVE**

Check torque converter clutch solenoid valve. Refer to TM-67, "Component Inspection (Torque Converter Clutch Solenoid Valve)".

Is the inspection result normal?

- YES >> GO TO 5.
- NO >> Replace transaxle assembly. Refer to TM-189, "Exploded View".

**5. DETECT MALFUNCTIONING ITEMS**

Check TCM connector pin terminals for damage or loose connection with harness connector.

Is the inspection result normal?

- YES >> Replace TCM. Refer to TM-168, "Exploded View".
- NO >> Repair or replace damaged parts.

**Component Inspection (Torque Converter Clutch Solenoid Valve)**

INFOID:000000006191512

**1. CHECK TORQUE CONVERTER CLUTCH SOLENOID VALVE**

Check resistance between CVT unit connector terminal and ground.

CVT unit connector		Ground	Resistance (Approx.)
Connector	Terminal		
F24	12		3.0 – 9.0 Ω

Is the inspection result normal?

- YES >> INSPECTION END
- NO >> Replace transaxle assembly. Refer to TM-189, "Exploded View".

## P0744 A/T TCC S/V FUNCTION (LOCK-UP)

&lt; COMPONENT DIAGNOSIS &gt;

[CVT: RE0F09B]

## P0744 A/T TCC S/V FUNCTION (LOCK-UP)

## Description

INFOID:000000006191513

This malfunction is detected when the torque converter clutch does not lock-up as instructed by the TCM. This is not only caused by electrical malfunctions (circuits open or shorted), but also by mechanical malfunctions such as control valve sticking, improper solenoid valve operation, etc.

## DTC Logic

INFOID:000000006191514

## DTC DETECTION LOGIC

DTC	Item (CONSULT-III screen term)	Malfunction is detected when...	Possible cause
P0744	A/T TCC S/V FNCTN	<ul style="list-style-type: none"> <li>CVT cannot perform lock-up even if electrical circuit is good.</li> <li>TCM detects as irregular by comparing difference value with slip rotation.</li> <li>There is a big difference between engine speed and primary speed sensor when TCM lock-up signal is on.</li> </ul>	<ul style="list-style-type: none"> <li>Torque converter clutch solenoid valve</li> <li>Hydraulic control circuit</li> </ul>

## DTC CONFIRMATION PROCEDURE

## CAUTION:

Always drive vehicle at a safe speed.

## NOTE:

Immediately after performing any "DTC CONFIRMATION PROCEDURE", always turn ignition switch OFF. Then wait at least 10 seconds before performing the next test.

## 1. CHECK DTC DETECTION

## ⓐ With CONSULT-III

- Turn ignition switch ON.
- Select "Data Monitor" in "TRANSMISSION".
- Start engine and maintain the following condition for at least 30 seconds.

ACC PEDAL OPEN	: More than 1.0/8
RANGE	: "D" position
VEHICLE SPEED	: Constant speed of more than 40 km/h (25 MPH)

## ⓑ With GST

Follow the procedure "With CONSULT-III".

Is "P0744 A/T TCC S/V FNCTN" detected?

- YES >> Go to TM-68, "Diagnosis Procedure".  
 NO >> Check intermittent incident. Refer to GI-35, "Intermittent Incident".

## Diagnosis Procedure

INFOID:000000006191515

## 1. CHECK LINE PRESSURE

Perform line pressure test. Refer to TM-159, "Inspection and Judgment".

Is the inspection result normal?

- YES >> GO TO 2.  
 NO >> Repair or replace damaged parts. Refer to TM-159, "Inspection and Judgment".

## 2. CHECK TORQUE CONVERTER CLUTCH SOLENOID VALVE

- Turn ignition switch OFF.
- Disconnect CVT unit connector.
- Check torque converter clutch solenoid valve. Refer to TM-69, "Component Inspection (Torque Converter Clutch Solenoid Valve)".

Is the inspection result normal?

**P0744 A/T TCC S/V FUNCTION (LOCK-UP)**

[CVT: RE0F09B]

< COMPONENT DIAGNOSIS >

- YES >> GO TO 3.
- NO >> Replace transaxle assembly. Refer to [TM-189, "Exploded View"](#).

**3. CHECK LOCK-UP SELECT SOLENOID VALVE**

Check lock-up select solenoid valve. Refer to [TM-69, "Component Inspection \(Lock-up Select Solenoid Valve\)"](#).

Is the inspection result normal?

- YES >> GO TO 4.
- NO >> Replace transaxle assembly. Refer to [TM-189, "Exploded View"](#).

**4. CHECK OUTPUT SPEED SENSOR (SECONDARY SPEED SENSOR) SYSTEM**

Check output speed sensor (secondary speed sensor) system. Refer to [TM-59, "DTC Logic"](#).

Is the inspection result normal?

- YES >> GO TO 5.
- NO >> Repair or replace damaged parts.

**5. CHECK INPUT SPEED SENSOR (PRIMARY SPEED SENSOR) SYSTEM**

Check input speed sensor (primary speed sensor) system. Refer to [TM-56, "DTC Logic"](#).

Is the inspection result normal?

- YES >> GO TO 6.
- NO >> Repair or replace damaged parts.

**6. DETECT MALFUNCTIONING ITEMS**

Check TCM connector pin terminals for damage or loose connection with harness connector.

Is the inspection result normal?

- YES >> Replace TCM. Refer to [TM-168, "Exploded View"](#).
- NO >> Repair or replace damaged parts.

**Component Inspection (Torque Converter Clutch Solenoid Valve)**

INFOID:000000006191516

**1. CHECK TORQUE CONVERTER CLUTCH SOLENOID VALVE**

Check resistance between CVT unit connector terminal and ground.

CVT unit connector		Ground	Resistance (Approx.)
Connector	Terminal		
F24	12		3.0 – 9.0 Ω

Is the inspection result normal?

- YES >> INSPECTION END
- NO >> Replace transaxle assembly. Refer to [TM-189, "Exploded View"](#).

**Component Inspection (Lock-up Select Solenoid Valve)**

INFOID:000000006191517

**1. CHECK LOCK-UP SELECT SOLENOID VALVE**

Check resistance between CVT unit connector terminal and ground.

CVT unit connector		Ground	Resistance (Approx.)
Connector	Terminal		
F24	13		6.0 – 19.0 Ω

Is the inspection result normal?

- YES >> INSPECTION END
- NO >> Replace transaxle assembly. Refer to [TM-189, "Exploded View"](#).

**P0745 LINE PRESSURE SOLENOID VALVE**

< COMPONENT DIAGNOSIS >

[CVT: RE0F09B]

**P0745 LINE PRESSURE SOLENOID VALVE**

**Description**

INFOID:000000006191518

The pressure control solenoid valve A (line pressure solenoid valve) regulates the oil pump discharge pressure to suit the driving condition in response to a signal sent from the TCM.

**DTC Logic**

INFOID:000000006191519

**DTC DETECTION LOGIC**

DTC	Item (CONSULT-III screen term)	Malfunction is detected when...	Possible cause
P0745	L/PRESS SOL/CIRC	<ul style="list-style-type: none"> <li>Normal voltage is not applied to solenoid due to open or short circuit.</li> <li>TCM detects as irregular by comparing target value with monitor value.</li> </ul>	<ul style="list-style-type: none"> <li>Harness or connectors (Solenoid circuit is open or shorted.)</li> <li>Pressure control solenoid valve A (line pressure solenoid valve)</li> </ul>

**DTC CONFIRMATION PROCEDURE**

**NOTE:**

Immediately after performing any "DTC CONFIRMATION PROCEDURE", always turn ignition switch OFF. Then wait at least 10 seconds before performing the next test.

**1. CHECK DTC DETECTION**

ⓐ With CONSULT-III

- Turn ignition switch ON.
- Start engine and wait at least 5 seconds.
- Perform "Self Diagnostic Results" in "TRANSMISSION".

ⓑ With GST

Follow the procedure "With CONSULT-III".

Is "P0745 L/PRESS SOL/CIRC" detected?

- YES >> Go to TM-70. "Diagnosis Procedure".
- NO >> Check intermittent incident. Refer to GI-35. "Intermittent Incident".

**Diagnosis Procedure**

INFOID:000000006191520

**1. CHECK PRESSURE CONTROL SOLENOID VALVE A (LINE PRESSURE SOLENOID VALVE) CIRCUIT**

- Turn ignition switch OFF.
- Disconnect TCM connector.
- Check resistance between TCM vehicle side harness connector terminal and ground.

TCM vehicle side harness connector		Ground	Resistance (Approx.)
Connector	Terminal		
F23	40		3.0 – 9.0 Ω

Is the inspection result normal?

- YES >> GO TO 5.
- NO >> GO TO 2.

**2. CHECK HARNESS BETWEEN TCM AND CVT UNIT [PRESSURE CONTROL SOLENOID VALVE A (LINE PRESSURE SOLENOID VALVE)] (PART 1)**

- Disconnect CVT unit connector.
- Check continuity between TCM vehicle side harness connector terminal and CVT unit vehicle side harness connector terminal.

TCM vehicle side harness connector		CVT unit vehicle side harness connector		Continuity
Connector	Terminal	Connector	Terminal	
F23	40	F24	2	Existed

**P0745 LINE PRESSURE SOLENOID VALVE**

[CVT: RE0F09B]

< COMPONENT DIAGNOSIS >

Is the inspection result normal?

- YES >> GO TO 3.
- NO >> Repair or replace damaged parts.

**3. CHECK HARNESS BETWEEN TCM AND CVT UNIT [PRESSURE CONTROL SOLENOID VALVE A (LINE PRESSURE SOLENOID VALVE)] (PART 2)**

Check continuity between TCM vehicle side harness connector terminal and ground.

TCM vehicle side harness connector		Ground	Continuity
Connector	Terminal		
F23	40		Not existed

Is the inspection result normal?

- YES >> GO TO 4.
- NO >> Repair or replace damaged parts.

**4. CHECK PRESSURE CONTROL SOLENOID VALVE A (LINE PRESSURE SOLENOID VALVE)**

Check pressure control solenoid valve A (line pressure solenoid valve). Refer to TM-71, "Component Inspection [Pressure Control Solenoid Valve A (Line Pressure Solenoid Valve)]"

Is the inspection result normal?

- YES >> GO TO 5.
- NO >> Replace transaxle assembly. Refer to TM-189, "Exploded View".

**5. DETECT MALFUNCTIONING ITEMS**

Check TCM connector pin terminals for damage or loose connection with harness connector.

Is the inspection result normal?

- YES >> Replace TCM. Refer to TM-168, "Exploded View".
- NO >> Repair or replace damaged parts.

**Component Inspection [Pressure Control Solenoid Valve A (Line Pressure Solenoid Valve)]**

INFOID:000000006191521

**1. CHECK PRESSURE CONTROL SOLENOID VALVE A (LINE PRESSURE SOLENOID VALVE)**

Check resistance between CVT unit connector terminal and ground.

CVT unit connector		Ground	Resistance (Approx.)
Connector	Terminal		
F24	2		3.0 – 9.0 Ω

Is the inspection result normal?

- YES >> INSPECTION END
- NO >> Replace transaxle assembly. Refer to TM-189, "Exploded View".

**P0746 PRESSURE CONTROL SOLENOID A PERFORMANCE (LINE PRESSURE SOLENOID VALVE)**

< COMPONENT DIAGNOSIS >

[CVT: RE0F09B]

**P0746 PRESSURE CONTROL SOLENOID A PERFORMANCE (LINE PRESSURE SOLENOID VALVE)**

**Description**

INFOID:000000006191522

The pressure control solenoid valve A (line pressure solenoid valve) regulates the oil pump discharge pressure to suit the driving condition in response to a signal sent from the TCM.

**DTC Logic**

INFOID:000000006191523

**DTC DETECTION LOGIC**

DTC	Item (CONSULT-III screen term)	Malfunction is detected when...	Possible cause
P0746	PRS CNT SOL/A FCTN	Unexpected gear ratio was detected in the low side due to excessively low line pressure.	<ul style="list-style-type: none"> <li>Line pressure control system</li> <li>Output speed sensor (secondary speed sensor)</li> <li>Input speed sensor (primary speed sensor)</li> </ul>

**DTC CONFIRMATION PROCEDURE**

**CAUTION:**

Always drive vehicle at a safe speed.

**NOTE:**

Immediately after performing any "DTC CONFIRMATION PROCEDURE", always turn ignition switch OFF. Then wait at least 10 seconds before performing the next test.

**1. CHECK DTC DETECTION**

Ⓐ With CONSULT-III

- Turn ignition switch ON.
- Select "Data Monitor" in "TRANSMISSION".
- Start engine and maintain the following conditions for at least 10 consecutive seconds. Test start from 0 km/h (0 MPH).

ATF TEMP SEN	: 1.0 – 2.0 V
ACC PEDAL OPEN	: More than 1.0/8
RANGE	: "D" position
VEHICLE SPEED	: 10 km/h (6 MPH) or more
Driving location	: Driving the vehicle uphill (increased engine load) will help maintain the driving conditions required for this test.

Ⓑ With GST

Follow the procedure "With CONSULT-III".

Is "P0746 PRS CNT SOL/A FCTN" detected?

- YES >> Go to [TM-72](#), "Diagnosis Procedure".  
 NO >> Check intermittent incident. Refer to [GI-35](#), "Intermittent Incident".

**Diagnosis Procedure**

INFOID:000000006191524

**1. CHECK LINE PRESSURE**

Perform line pressure test. Refer to [TM-159](#), "Inspection and Judgment".

Is the inspection result normal?

- YES >> GO TO 2.  
 NO >> Repair or replace damaged parts. Refer to [TM-159](#), "Inspection and Judgment".

**2. CHECK PRESSURE CONTROL SOLENOID VALVE A (LINE PRESSURE SOLENOID VALVE)**

- Turn ignition switch OFF.
- Disconnect CVT unit connector.



**P0746 PRESSURE CONTROL SOLENOID A PERFORMANCE (LINE PRESSURE SOLENOID VALVE)**

< COMPONENT DIAGNOSIS >

[CVT: RE0F09B]

3. Check pressure control solenoid valve A (line pressure solenoid valve). Refer to TM-73, "Component Inspection [Pressure Control Solenoid Valve A (Line Pressure Solenoid Valve)]".

Is the inspection result normal?

YES >> GO TO 3.

NO >> Replace transaxle assembly. Refer to TM-189, "Exploded View".

**3.CHECK OUTPUT SPEED SENSOR (SECONDARY SPEED SENSOR) SYSTEM**

Check output speed sensor (secondary speed sensor) system. Refer to TM-59, "DTC Logic".

Is the inspection result normal?

YES >> GO TO 4.

NO >> Repair or replace damaged parts.

**4.CHECK INPUT SPEED SENSOR (PRIMARY SPEED SENSOR) SYSTEM**

Check input speed sensor (primary speed sensor) system. Refer to TM-56, "DTC Logic".

Is the inspection result normal?

YES >> GO TO 5.

NO >> Repair or replace damaged parts.

**5.DETECT MALFUNCTIONING ITEMS**

Check TCM connector pin terminals for damage or loose connection with harness connector.

Is the inspection result normal?

YES >> Replace TCM. Refer to TM-168, "Exploded View".

NO >> Repair or replace damaged parts.

**Component Inspection [Pressure Control Solenoid Valve A (Line Pressure Solenoid Valve)]**

INFOID:000000006191525

**1.CHECK PRESSURE CONTROL SOLENOID VALVE A (LINE PRESSURE SOLENOID VALVE)**

Check resistance between CVT unit connector terminal and ground.

CVT unit connector		Ground	Resistance (Approx.)
Connector	Terminal		
F24	2		3.0 - 9.0 Ω

Is the inspection result normal?

YES >> INSPECTION END

NO >> Replace transaxle assembly. Refer to TM-189, "Exploded View".

**P0776 PRESSURE CONTROL SOLENOID B PERFORMANCE (SEC PRESSURE SOLENOID VALVE)**

< COMPONENT DIAGNOSIS >

[CVT: RE0F09B]

**P0776 PRESSURE CONTROL SOLENOID B PERFORMANCE (SEC PRESSURE SOLENOID VALVE)**

**Description**

INFOID:000000006191526

The pressure control solenoid valve B (secondary pressure solenoid valve) regulates the secondary pressure to suit the driving condition in response to a signal sent from the TCM.

**DTC Logic**

INFOID:000000006191527

**DTC DETECTION LOGIC**

DTC	Item (CONSULT-III screen term)	Malfunction is detected when...	Possible cause
P0776	PRS CNT SOL/B FCTN	Secondary pressure is too high or too low compared with the commanded value while driving.	<ul style="list-style-type: none"> <li>• Harness or connectors (Solenoid circuit is open or shorted.)</li> <li>• Pressure control solenoid valve B (secondary pressure solenoid valve system)</li> <li>• Transmission fluid pressure sensor A (secondary pressure sensor)</li> <li>• Line pressure control system</li> </ul>

**DTC CONFIRMATION PROCEDURE**

**CAUTION:**

Always drive vehicle at a safe speed.

**NOTE:**

Immediately after performing any "DTC CONFIRMATION PROCEDURE", always turn ignition switch OFF. Then wait at least 10 seconds before performing the next test.

**1. CHECK DTC DETECTION**

Ⓜ With CONSULT-III

1. Turn ignition switch ON.
2. Select "Data Monitor" in "TRANSMISSION".
3. Start engine and maintain the following conditions for at least 30 consecutive seconds.

ATF TEMP SEN	: 1.0 – 2.0 V
ACC PEDAL OPEN	: More than 1.0/8
RANGE	: "D" position
VEHICLE SPEED	: 10 km/h (6 MPH) or more
Driving location	: Driving the vehicle uphill (increased engine load) will help maintain the driving conditions required for this test.

Ⓜ With GST

Follow the procedure "With CONSULT-III".

Is "P0776 PRS CNT SOL/B FCTN" detected?

- YES >> Go to TM-74, "Diagnosis Procedure".
- NO >> Check intermittent incident. Refer to GI-35, "Intermittent Incident".

**Diagnosis Procedure**

INFOID:000000006191528

**1. CHECK LINE PRESSURE**

Perform line pressure test. Refer to TM-159, "Inspection and Judgment".

Is the inspection result normal?

- YES >> GO TO 2.
- NO >> Repair or replace damaged parts. Refer to TM-159, "Inspection and Judgment".

**2. CHECK PRESSURE CONTROL SOLENOID VALVE B (SECONDARY PRESSURE SOLENOID VALVE)**

1. Turn ignition switch OFF.
2. Disconnect CVT unit connector.

**P0776 PRESSURE CONTROL SOLENOID B PERFORMANCE (SEC PRESSURE SOLENOID VALVE)**

[CVT: RE0F09B]

< COMPONENT DIAGNOSIS >

3. Check pressure control solenoid valve B (secondary pressure solenoid valve). Refer to TM-75, "Component Inspection [Pressure Control Solenoid Valve B (Secondary Pressure Solenoid Valve)]".

Is the inspection result normal?

YES >> GO TO 3.

NO >> Replace transaxle assembly. Refer to TM-189, "Exploded View".

**3.CHECK PRESSURE CONTROL SOLENOID VALVE A (LINE PRESSURE SOLENOID VALVE)**

Check pressure control solenoid valve A (line pressure solenoid valve). Refer to TM-75, "Component Inspection [Pressure Control Solenoid Valve A (Line Pressure Solenoid Valve)]".

Is the inspection result normal?

YES >> GO TO 4.

NO >> Replace transaxle assembly. Refer to TM-189, "Exploded View".

**4.CHECK TRANSMISSION FLUID PRESSURE SENSOR A (SECONDARY PRESSURE SENSOR) SYSTEM**

Check transmission fluid pressure sensor A (secondary pressure sensor) system. Refer to TM-81, "DTC Logic".

Is the inspection result normal?

YES >> GO TO 5.

NO >> Repair or replace damaged parts.

**5.DETECT MALFUNCTIONING ITEMS**

Check TCM connector pin terminals for damage or loose connection with harness connector.

Is the inspection result normal?

YES >> Replace TCM. Refer to TM-168, "Exploded View".

NO >> Repair or replace damaged parts.

**Component Inspection [Pressure Control Solenoid Valve A (Line Pressure Solenoid Valve)]**

INFOID:000000006191529

**1.CHECK PRESSURE CONTROL SOLENOID VALVE A (LINE PRESSURE SOLENOID VALVE)**

Check resistance between CVT unit connector terminal and ground.

CVT unit connector		Ground	Resistance (Approx.)
Connector	Terminal		
F24	2		3.0 - 9.0 Ω

Is the inspection result normal?

YES >> INSPECTION END

NO >> Replace transaxle assembly. Refer to TM-189, "Exploded View".

**Component Inspection [Pressure Control Solenoid Valve B (Secondary Pressure Solenoid Valve)]**

INFOID:000000006191530

**1.CHECK PRESSURE CONTROL SOLENOID VALVE B (SECONDARY PRESSURE SOLENOID VALVE)**

Check resistance between CVT unit connector terminal and ground.

CVT unit connector		Ground	Resistance (Approx.)
Connector	Terminal		
F24	3		3.0 - 9.0 Ω

Is the inspection result normal?

YES >> INSPECTION END

NO >> Replace transaxle assembly. Refer to TM-189, "Exploded View".

**P0778 PRESSURE CONTROL SOLENOID B ELECTRICAL (SEC PRESSURE SOLENOID VALVE)**

< COMPONENT DIAGNOSIS >

[CVT: RE0F09B]

**P0778 PRESSURE CONTROL SOLENOID B ELECTRICAL (SEC PRESSURE SOLENOID VALVE)**

**Description**

INFOID:000000006191531

The pressure control solenoid valve B (secondary pressure solenoid valve) regulates the oil pump discharge pressure to suit the driving condition in response to a signal sent from the TCM.

**DTC Logic**

INFOID:000000006191532

**DTC DETECTION LOGIC**

DTC	Item (CONSULT-III screen term)	Malfunction is detected when...	Possible cause
P0778	PRS CNT SOL/B CIRC	<ul style="list-style-type: none"> <li>Normal voltage is not applied to solenoid due to cut line, short, etc.</li> <li>TCM detects as irregular by comparing target value with monitor value.</li> </ul>	<ul style="list-style-type: none"> <li>Harness or connectors (Solenoid circuit is open or shorted.)</li> <li>Pressure control solenoid valve B (secondary pressure solenoid valve)</li> </ul>

**DTC CONFIRMATION PROCEDURE**

**CAUTION:**

Always drive vehicle at a safe speed.

**NOTE:**

Immediately after performing any "DTC CONFIRMATION PROCEDURE", always turn ignition switch OFF. Then wait at least 10 seconds before performing the next test.

**1. CHECK DTC DETECTION**

Ⓜ With CONSULT-III

- Start engine.
- Drive vehicle and maintain the following conditions for at least 5 consecutive seconds.
- Perform "Self Diagnostic Results" in "TRANSMISSION".

Ⓜ With GST

Follow the procedure "With CONSULT-III".

Is "P0778 PRS CNT SOL/B CIRC" detected?

YES >> Go to TM-76. "Diagnosis Procedure".

NO >> Check intermittent incident. Refer to GI-35. "Intermittent Incident".

**Diagnosis Procedure**

INFOID:000000006191533

**1. CHECK PRESSURE CONTROL SOLENOID VALVE B (SECONDARY PRESSURE SOLENOID VALVE) CIRCUIT**

- Turn ignition switch OFF.
- Disconnect TCM connector.
- Check resistance between TCM vehicle side harness connector terminal and ground.

TCM vehicle side harness connector		Ground	Resistance (Approx.)
Connector	Terminal		
F23	39		3.0 - 9.0 Ω

Is the inspection result normal?

YES >> GO TO 5.

NO >> GO TO 2.

**2. CHECK HARNESS BETWEEN TCM AND PRESSURE CONTROL SOLENOID VALVE B (SECONDARY PRESSURE SOLENOID VALVE) (PART 1)**

- Disconnect CVT unit connector.
- Check continuity between TCM vehicle side harness connector terminal and CVT unit vehicle side harness connector terminal.

**P0778 PRESSURE CONTROL SOLENOID B ELECTRICAL (SEC PRESSURE SOLENOID VALVE)**

< COMPONENT DIAGNOSIS >

[CVT: RE0F09B]

TCM vehicle side harness connector		CVT unit vehicle side harness connector		Continuity
Connector	Terminal	Connector	Terminal	
F23	39	F24	3	Existed

Is the inspection result normal?

- YES >> GO TO 3.
- NO >> Repair or replace damaged parts.

**3. CHECK HARNESS BETWEEN TCM AND PRESSURE CONTROL SOLENOID VALVE B (SECONDARY PRESSURE SOLENOID VALVE) (PART 2)**

Check continuity between TCM vehicle side harness connector terminal and ground:

TCM vehicle side harness connector		Ground	Continuity
Connector	Terminal		
F23	39		Not existed

Is the inspection result normal?

- YES >> GO TO 4.
- NO >> Repair or replace damaged parts.

**4. CHECK PRESSURE CONTROL SOLENOID VALVE B (SECONDARY PRESSURE SOLENOID VALVE)**

Check pressure control solenoid valve B (secondary pressure solenoid valve). Refer to TM-77, "Component Inspection [Pressure Control Solenoid Valve B (Secondary Pressure Solenoid Valve)]".

Is the inspection result normal?

- YES >> GO TO 5.
- NO >> Replace transaxle assembly. Refer to TM-189, "Exploded View".

**5. DETECT MALFUNCTIONING ITEMS**

Check TCM connector pin terminals for damage or loose connection with harness connector.

Is the inspection result normal?

- YES >> Replace TCM. Refer to TM-168, "Exploded View".
- NO >> Repair or replace damaged parts.

**Component Inspection [Pressure Control Solenoid Valve B (Secondary Pressure Solenoid Valve)]**

INFOID:000000006181534

**1. CHECK PRESSURE CONTROL SOLENOID VALVE B (SECONDARY PRESSURE SOLENOID VALVE)**

Check resistance between CVT unit connector terminal and ground.

CVT unit connector		Ground	Resistance (Approx.)
Connector	Terminal		
F24	3		3.0 – 9.0 Ω

Is the inspection result normal?

- YES >> INSPECTION END
- NO >> Replace transaxle assembly. Refer to TM-189, "Exploded View".



P0826 MANUAL MODE SWITCH

< COMPONENT DIAGNOSIS >

[CVT: RE0F09B]

P0826 MANUAL MODE SWITCH

Description

INFOID:000000006191535

Manual mode switch is installed in shift control device. The manual mode switch sends shift up and shift down switch signals to TCM.

TCM sends the switch signals to combination meter via CAN communication line. Then manual mode switch position is indicated on the shift position indicator.

DTC Logic

INFOID:000000006191536

DTC DETECTION LOGIC

DTC	Item (CONSULT-III screen term)	Malfunction is detected when...	Possible cause
P0826	MANUAL MODE SWITCH	When an impossible pattern of switch signals is detected, a malfunction is detected.	<ul style="list-style-type: none"> <li>• Harness or connectors</li> <li>- (The circuit of these switches are open or shorted.)</li> <li>- (TCM, and combination meter circuit are open or shorted.)</li> <li>- (CAN communication line is open or shorted.)</li> <li>• Manual mode select switch (Built into control device)</li> <li>• Manual mode position select switch (Built into control device)</li> </ul>

DTC CONFIRMATION PROCEDURE

CAUTION:

Always drive vehicle at a safe speed.

NOTE:

Immediately after performing any "DTC CONFIRMATION PROCEDURE", always turn ignition switch OFF. Then wait at least 10 seconds before performing the next test.

Perform the following procedure to confirm the malfunction is eliminated after the repair.

1. CHECK DTC DETECTION

ⓐ With CONSULT-III

1. Turn ignition switch ON.
2. Select "Data Monitor" in "TRANSMISSION".
3. Start engine.
4. Drive vehicle and maintain the following conditions for at least 2 consecutive seconds.

MMODE : On

Is "P0826 MANUAL MODE SWITCH" detected?

YES >> Go to TM-78, "Diagnosis Procedure".

NO >> Check intermittent incident. Refer to GI-35, "Intermittent Incident".

Diagnosis Procedure

INFOID:000000006191537

1. CHECK MANUAL MODE SWITCH SIGNALS

ⓐ With CONSULT-III

1. Turn ignition switch ON.
2. Select "Data Monitor" in "TRANSMISSION".
3. Check the ON/OFF operations of each monitor item.



P0826 MANUAL MODE SWITCH

< COMPONENT DIAGNOSIS >

[CVT: RE0F09B]

Item name	Monitor item	Condition	Status
Manual mode switch	MMODE	Selector lever is shifted to manual shift gate side	On
		Other than the above	Off
	NONMMODE	Selector lever is shifted to manual shift gate side	Off
		Other than the above	On
	UPLVR	Selector lever is shifted to + side	On
		Other than the above	Off
	DOWNLVR	Selector lever is shifted to - side	On
		Other than the above	Off

⊗ Without CONSULT-III

Drive vehicle in the manual mode, and confirm that the actual gear position and the meter's indication of the position mutually coincide when the selector lever is shifted to the "+ (up)" or "- (down)" side (1st ↔ 6th gear).

Is the inspection result normal?

- YES >> GO TO 7.
- NO >> GO TO 2.

2. CHECK MANUAL MODE SWITCH

1. Turn ignition switch OFF.
2. Disconnect control device connector.
3. Check manual mode switch. Refer to TM-80, "Component Inspection (Manual Mode Switch)".

Is the inspection result normal?

- YES >> GO TO 3.
- NO >> Repair or replace damaged parts.

3. CHECK HARNESS BETWEEN CVT DEVICE AND COMBINATION METER (PART 1)

1. Disconnect combination meter connector.
2. Check continuity between control device vehicle side harness connector terminals and combination meter vehicle side harness connector terminals.

Control device vehicle side harness connector		Combination meter vehicle side harness connector		Continuity
Connector	Terminal	Connector	Terminal	
M57	1	M34	40	Existed
	2		38	
	3		39	
	5		37	

Is the inspection result normal?

- YES >> GO TO 4.
- NO >> Repair or replace damaged parts.

4. CHECK HARNESS BETWEEN CVT DEVICE AND COMBINATION METER (PART 2)

Check continuity between control device vehicle side harness connector terminals and ground.

Control device vehicle side harness connector		Ground	Continuity
Connector	Terminal		
M57	1		Not existed
	2		
	3		
	5		

Is the inspection result normal?

- YES >> GO TO 5.

**P0826 MANUAL MODE SWITCH**

< COMPONENT DIAGNOSIS >

[CVT: RE0F09B]

NO >> Repair or replace damaged parts.

**5.CHECK GROUND CIRCUIT (PART 1)**

Check continuity between control device vehicle side harness connector terminal and ground.

Control device vehicle side harness connector		Ground	Continuity
Connector	Terminal		
M57	4		Existed

Is the inspection result normal?

YES >> GO TO 6.

NO >> Repair or replace damaged parts.

**6.CHECK GROUND CIRCUIT (PART 2)**

Check voltage between control device vehicle side harness connector terminal and ground.

Control device vehicle side harness connector		Ground	Voltage (Approx.)
Connector	Terminal		
M57	4		0 V

Is the inspection result normal?

YES >> GO TO 7.

NO >> Repair or replace damaged parts.

**7.DETECT MALFUNCTIONING ITEMS**

Check TCM connector pin terminals for damage or loose connection with harness connector.

Is the inspection result normal?

YES >> Replace TCM. Refer to TM-168, "Exploded View".

NO >> Repair or replace damaged parts.

**Component Inspection (Manual Mode Switch)**

**1.CHECK MANUAL MODE SWITCH**

Check continuity between control device connector terminals.

Control device connector			Condition	Continuity
Connector	Terminal			
M57	4	5	Selector lever is shifted to manual shift gate side	Not existed
			Other than the above	Existed
	1	4	Selector lever is shifted to manual shift gate side	Existed
			Other than the above	Not existed
	3	4	Selector lever is shifted to + side	Existed
			Other than the above	Not existed
	2	4	Selector lever is shifted to - side	Existed
			Other than the above	Not existed

Is the inspection result normal?

YES >> INSPECTION END

NO >> Repair or replace damaged parts. Refer to TM-172, "MANUAL MODE : Exploded View".

P0840 TRANSMISSION FLUID PRESSURE SENSOR A (SEC PRESSURE SENSOR)

< COMPONENT DIAGNOSIS >

[CVT: RE0F09B]

P0840 TRANSMISSION FLUID PRESSURE SENSOR A (SEC PRESSURE SENSOR)

Description

INFOID:000000006191539

The transmission fluid pressure sensor A (secondary pressure sensor) detects secondary pressure of CVT and sends a signal to the TCM.

DTC Logic

INFOID:000000006191540

DTC DETECTION LOGIC

DTC	Item (CONSULT-III screen term)	Malfunction is detected when...	Possible cause
P0840	TR PRS SENS/A CIRC	Signal voltage of the transmission fluid pressure sensor A (secondary pressure sensor) is too high or too low while driving.	<ul style="list-style-type: none"> <li>• Harness or connectors (Sensor circuit is open or shorted.)</li> <li>• Transmission fluid pressure sensor A (secondary pressure sensor)</li> </ul>

DTC CONFIRMATION PROCEDURE

NOTE:

Immediately after performing any "DTC CONFIRMATION PROCEDURE", always turn ignition switch OFF. Then wait at least 10 seconds before performing the next test.

1. CHECK DTC DETECTION

Ⓜ With CONSULT-III

1. Turn ignition switch ON.
2. Select "Data Monitor" in "TRANSMISSION".
3. Check that output voltage of CVT fluid temperature sensor is within the range below.

ATF TEMP SEN : 1.0 - 2.0 V

If it is out of range, drive the vehicle to decrease the voltage (warm up the fluid) or stop engine to increase the voltage (cool down the fluid)

4. Start engine and wait for at least 5 consecutive seconds.

Ⓜ With GST

Follow the procedure "With CONSULT-III".

Is "P0840 TR PRS SENS/A CIRC" detected?

- YES >> Go to TM-81. "Diagnosis Procedure".  
 NO >> Check intermittent incident. Refer to GI-35. "Intermittent Incident".

Diagnosis Procedure

INFOID:000000006191541

1. CHECK INPUT SIGNAL

1. Start engine.
2. Check voltage between TCM connector terminal and ground.

TCM connector		Ground	Condition	Voltage (Approx.)
Connector	Terminal			
F23	15		"N" position idle	1.0 - 1.5 V

Is the inspection result normal?

- YES >> GO TO 8.  
 NO >> GO TO 2.

2. CHECK POWER AND SENSOR GROUND

Check voltage between TCM connector terminals.

< COMPONENT DIAGNOSIS >

[CVT: RE0F09B]

TCM connector			Voltage (Approx.)
Connector	Terminal		
F23	25	26	4.75 – 5.25 V

Is the inspection result normal?

- YES >> GO TO 3.
- NO >> GO TO 5.

**3. CHECK HARNESS BETWEEN TCM AND CVT UNIT [TRANSMISSION FLUID PRESSURE SENSOR A (SECONDARY PRESSURE SENSOR)] (PART 1)**

1. Turn ignition switch OFF.
2. Disconnect TCM connector and CVT unit connector.
3. Check continuity between TCM vehicle side harness connector terminal and CVT unit vehicle side harness connector terminal.

TCM vehicle side harness connector		CVT unit vehicle side harness connector		Continuity
Connector	Terminal	Connector	Terminal	
F23	15	F24	23	Existed

Is the inspection result normal?

- YES >> GO TO 4.
- NO >> Repair or replace damaged parts.

**4. CHECK HARNESS BETWEEN TCM AND CVT UNIT [TRANSMISSION FLUID PRESSURE SENSOR A (SECONDARY PRESSURE SENSOR)] (PART 2)**

Check continuity between TCM vehicle side harness connector terminal and ground.

TCM vehicle side harness connector		Ground	Continuity
Connector	Terminal		
F23	15		Not existed

Is the inspection result normal?

- YES >> GO TO 7.
- NO >> Repair or replace damaged parts.

**5. CHECK HARNESS BETWEEN TCM AND CVT UNIT (SENSOR POWER AND SENSOR GROUND) (PART 1)**

1. Turn ignition switch OFF.
2. Disconnect TCM connector and CVT unit connector.
3. Check continuity between TCM vehicle side harness connector terminals and CVT unit vehicle side harness connector terminals.

TCM vehicle side harness connector		CVT unit vehicle side harness connector		Continuity
Connector	Terminal	Connector	Terminal	
F23	25	F24	19	Existed
	26		20	

Is the inspection result normal?

- YES >> GO TO 6.
- NO >> Repair or replace damaged parts.

**6. CHECK HARNESS BETWEEN TCM AND CVT UNIT (SENSOR POWER AND SENSOR GROUND) (PART 2)**

Check continuity between TCM vehicle side harness connector terminals and ground.

P0840 TRANSMISSION FLUID PRESSURE SENSOR A (SEC PRESSURE SENSOR)

< COMPONENT DIAGNOSIS >

[CVT: RE0F09B]

TCM vehicle side harness connector		Ground	Continuity
Connector	Terminal		Not existed
F23	25		
	26		

Is the inspection result normal?

- YES >> GO TO 7.
- NO >> Repair or replace damaged parts.

7. CHECK TCM

1. Replace with the same type of TCM. Refer to TM-168, "Exploded View".
2. Connect each connector.
3. Perform "DTC CONFIRMATION PROCEDURE". Refer to TM-81, "DTC Logic".

Is "P0840 TR PRS SENS/A CIRC" detected?

- YES >> Replace transaxle assembly. Refer to TM-189, "Exploded View".
- NO >> Replace TCM. Refer to TM-168, "Exploded View".

8. DETECT MALFUNCTIONING ITEMS

Check TCM connector pin terminals for damage or loose connection with harness connector.

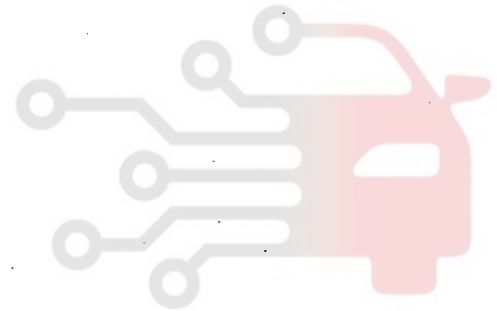
Is the inspection result normal?

- YES >> Replace TCM. Refer to TM-168, "Exploded View".
- NO >> Repair or replace damaged parts.

دیجیال خودرو

شرکت دیجیتال خودرو سامانه (مسئولیت محدود)

اولین سامانه دیجیتال تعمیرکاران خودرو در ایران



A  
B  
C  
TM  
E  
F  
G  
H  
I  
J  
K  
L  
M  
N  
O  
P

## P0841 PRESSURE SENSOR FUNCTION

&lt; COMPONENT DIAGNOSIS &gt;

[CVT: RE0F09B]

## P0841 PRESSURE SENSOR FUNCTION

## Description

INFOID:000000006191542

Using the engine load (throttle position), the primary pulley revolution speed, and the secondary pulley revolution speed as input signals, TCM changes the operating pressure of the primary pulley and the secondary pulley and changes the groove width of the pulley to control the gear ratio.

## DTC Logic

INFOID:000000006191543

## DTC DETECTION LOGIC

DTC	Item (CONSULT-III screen term)	Malfunction is detected when...	Possible cause
P0841	PRESS SEN/FNCTN	Correlation between the values of the transmission fluid pressure sensor A (secondary pressure sensor) and the transmission fluid pressure sensor B (primary pressure sensor) is out of specification.	<ul style="list-style-type: none"> <li>• Harness or connectors (Sensor circuit is open or shorted.)</li> <li>• Transmission fluid pressure sensor A (secondary pressure sensor)</li> <li>• Transmission fluid pressure sensor B (primary pressure sensor)</li> </ul>

## DTC CONFIRMATION PROCEDURE

## CAUTION:

Always drive vehicle at a safe speed.

## NOTE:

Immediately after performing any "DTC CONFIRMATION PROCEDURE", always turn ignition switch OFF. Then wait at least 10 seconds before performing the next test.

## 1. CHECK DTC DETECTION

Ⓜ With CONSULT-III (شرکت دیجیتال خودرو سامانه)

1. Turn ignition switch ON.
2. Select "Data Monitor" in "TRANSMISSION".
3. Start engine and maintain the following conditions for at least 12 consecutive seconds.

VEHICLE SPEED : 40 km/h (25 MPH) or more  
RANGE : "D" position

## Is "P0841 PRESS SEN/FNCTN" detected?

- YES >> Go to TM-84, "Diagnosis Procedure".  
NO >> Check intermittent incident. Refer to GI-35, "Intermittent Incident".

## Diagnosis Procedure

INFOID:000000006191544

## 1. CHECK LINE PRESSURE

Perform line pressure test. Refer to TM-159, "Inspection and Judgment".

## Is the inspection result normal?

- YES >> GO TO 2.  
NO >> Repair or replace damaged parts. Refer to TM-159, "Inspection and Judgment".

## 2. CHECK TRANSMISSION FLUID PRESSURE SENSOR A (SECONDARY PRESSURE SENSOR) SYSTEM

Check transmission fluid pressure sensor A (secondary pressure sensor) system. Refer to TM-81, "Description".

## Is the inspection result normal?

- YES >> GO TO 3.  
NO >> Repair or replace damaged parts.

## 3. CHECK TRANSMISSION FLUID PRESSURE SENSOR B (PRIMARY PRESSURE SENSOR) SYSTEM

Check transmission fluid pressure sensor B (primary pressure sensor) system. Refer to TM-87, "Description".



**P0841 PRESSURE SENSOR FUNCTION**

[CVT: RE0F09B]

< COMPONENT DIAGNOSIS >

Is the inspection result normal?

- YES >> GO TO 4.
- NO >> Repair or replace damaged parts.

**4.CHECK PRESSURE CONTROL SOLENOID VALVE A (LINE PRESSURE SOLENOID VALVE)**

1. Turn ignition switch OFF.
2. Disconnect CVT unit connector.
3. Check pressure control solenoid valve A (line pressure solenoid valve). Refer to TM-85, "Component Inspection [Pressure Control Solenoid Valve A (Line Pressure Solenoid Valve)]".

Is the inspection result normal?

- YES >> GO TO 5.
- NO >> Repair or replace damaged parts.

**5.CHECK PRESSURE CONTROL SOLENOID VALVE B (SECONDARY PRESSURE SOLENOID VALVE)**

Check pressure control solenoid valve B (secondary pressure solenoid valve). Refer to TM-85, "Component Inspection [Pressure Control Solenoid Valve B (Secondary Pressure Solenoid Valve)]".

Is the inspection result normal?

- YES >> GO TO 6.
- NO >> Repair or replace damaged parts.

**6.CHECK STEP MOTOR SYSTEM**

Check step motor system. Refer to TM-104, "Description".

Is the inspection result normal?

- YES >> GO TO 7.
- NO >> Repair or replace damaged parts.

**7.DETECT MALFUNCTIONING ITEMS**

Check TCM connector pin terminals for damage or loose connection with harness connector.

Is the inspection result normal?

- YES >> Replace TCM. Refer to TM-168, "Exploded View".
- NO >> Repair or replace damaged parts.

**Component Inspection [Pressure Control Solenoid Valve A (Line Pressure Solenoid Valve)]**

INFOID:000000006191546

**1.CHECK PRESSURE CONTROL SOLENOID VALVE A (LINE PRESSURE SOLENOID VALVE)**

Check resistance between CVT unit connector terminal and ground.

CVT unit connector		Ground	Resistance (Approx.)
Connector	Terminal		
F24	2		3.0 – 9.0 Ω

Is the inspection result normal?

- YES >> INSPECTION END
- NO >> Replace transaxle assembly. Refer to TM-189, "Exploded View".

**Component Inspection [Pressure Control Solenoid Valve B (Secondary Pressure Solenoid Valve)]**

INFOID:000000006191546

**1.CHECK PRESSURE CONTROL SOLENOID VALVE B (SECONDARY PRESSURE SOLENOID VALVE)**

Check resistance between CVT unit connector terminal and ground.

CVT unit connector		Ground	Resistance (Approx.)
Connector	Terminal		
F24	3		3.0 – 9.0 Ω

P0841 PRESSURE SENSOR FUNCTION

< COMPONENT DIAGNOSIS >

[CVT: RE0F09B]

Is the inspection result normal?

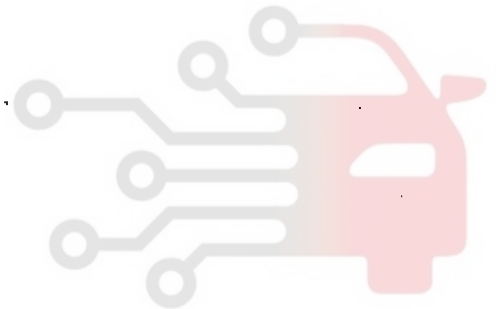
YES >> INSPECTION END

NO >> Replace transaxle assembly. Refer to TM-189, "Exploded View".

دیجیتال خودرو

شرکت دیجیتال خودرو سامانه (مسئولیت محدود)

اولین سامانه دیجیتال تعمیرکاران خودرو در ایران



**P0845 TRANSMISSION FLUID PRESSURE SENSOR B (PRI PRESSURE SENSOR)**

< COMPONENT DIAGNOSIS >

[CVT: RE0F09B]

**P0845 TRANSMISSION FLUID PRESSURE SENSOR B (PRI PRESSURE SENSOR)**

**Description**

INFOID:000000006191547

The transmission fluid pressure sensor B (primary pressure sensor) detects primary pressure of CVT and sends a signal to the TCM.

**DTC Logic**

INFOID:000000006191548

**DTC DETECTION LOGIC**

DTC	Item (CONSULT-III screen term)	Malfunction is detected when...	Possible cause
P0845	TR PRS SENS/B CIRC	Signal voltage of the transmission fluid pressure sensor B (primary pressure sensor) is too high or too low while driving.	<ul style="list-style-type: none"> <li>Harness or connectors (Sensor circuit is open or shorted.)</li> <li>Transmission fluid pressure sensor B (primary pressure sensor)</li> </ul>

**DTC CONFIRMATION PROCEDURE**

**NOTE:**

Immediately after performing any "DTC CONFIRMATION PROCEDURE", always turn ignition switch OFF. Then wait at least 10 seconds before performing the next test.

**1. CHECK DTC DETECTION**

ⓑ With CONSULT-III

- Turn ignition switch ON.
- Select "Data Monitor" in "TRANSMISSION".
- Check that output voltage of line temperature sensor is within the range below.

ATF TEMP SEN : 1.0 - 2.0 V

If it is out of range, drive the vehicle to decrease the voltage (warm up the fluid) or stop engine to increase the voltage (cool down the fluid)

- Start engine and wait for at least 5 consecutive seconds.

ⓐ With GST

Follow the procedure "With CONSULT-III".

**Is "P0845 TR PRS SENS/B CIRC" detected?**

- YES >> Go to TM-87. "Diagnosis Procedure".  
 NO >> Check intermittent incident. Refer to GI-35. "Intermittent Incident".

**Diagnosis Procedure**

INFOID:000000006191549

**1. CHECK INPUT SIGNAL**

- Start engine.
- Check voltage between TCM connector terminal and ground.

TCM connector		Ground	Condition	Voltage (Approx.)
Connector	Terminal			
F23	14		"N" position idle	0.5 - 0.8 V

**Is the inspection result normal?**

- YES >> GO TO 8.  
 NO >> GO TO 2.

**2. CHECK SENSOR POWER AND SENSOR GROUND**

Check voltage between TCM connector terminals.

**P0845 TRANSMISSION FLUID PRESSURE SENSOR B (PRI PRESSURE SENSOR)**

< COMPONENT DIAGNOSIS >

[CVT: RE0F09B]

TCM connector			Voltage (Approx.)
Connector	Terminal		
F23	25	26	4.75 – 5.25 V

Is the inspection result normal?

YES >> GO TO 3.

NO >> GO TO 5.

**3. CHECK HARNESS BETWEEN TCM AND CVT UNIT [TRANSMISSION FLUID PRESSURE SENSOR B (PRIMARY PRESSURE SENSOR)] (PART 1)**

1. Turn ignition switch OFF.
2. Disconnect TCM connector and CVT unit connector.
3. Check continuity between TCM vehicle side harness connector terminal and CVT unit vehicle side harness connector terminal.

TCM vehicle side harness connector		CVT unit vehicle side harness connector		Continuity
Connector	Terminal	Connector	Terminal	
F23	14	F24	25	Existed

Is the inspection result normal?

YES >> GO TO 4.

NO >> Repair or replace damaged parts.

**4. CHECK HARNESS BETWEEN TCM AND CVT UNIT [TRANSMISSION FLUID PRESSURE SENSOR B (PRIMARY PRESSURE SENSOR)] (PART 2)**

Check continuity between TCM vehicle side harness connector terminal and ground.

TCM vehicle side harness connector		Ground	Continuity
Connector	Terminal		
F23	14		Not existed

Is the inspection result normal?

YES >> GO TO 7.

NO >> Repair or replace damaged parts.

**5. CHECK HARNESS BETWEEN TCM AND CVT UNIT (SENSOR POWER AND SENSOR GROUND) (PART 1)**

1. Turn ignition switch OFF.
2. Disconnect TCM connector and CVT unit connector.
3. Check continuity between TCM vehicle side harness connector terminals and CVT unit vehicle side harness connector terminals.

TCM vehicle side harness connector		CVT unit vehicle side harness connector		Continuity
Connector	Terminal	Connector	Terminal	
F23	25	F24	19	Existed
	26		20	

Is the inspection result normal?

YES >> GO TO 6.

NO >> Repair or replace damaged parts.

**6. CHECK HARNESS BETWEEN TCM AND CVT UNIT (SENSOR POWER AND SENSOR GROUND) (PART 2)**

Check continuity between TCM vehicle side harness connector terminals and ground.

## P0845 TRANSMISSION FLUID PRESSURE SENSOR B (PRI PRESSURE SENSOR)

&lt; COMPONENT DIAGNOSIS &gt;

[CVT: RE0F09B]

TCM vehicle side harness connector		Ground	Continuity
Connector	Terminal		
F23	25		Not existed
	26		

Is the inspection result normal?

YES &gt;&gt; GO TO 7.

NO &gt;&gt; Repair or replace damaged parts.

**7. CHECK TCM**

1. Replace with the same type of TCM. Refer to TM-168, "Exploded View".
2. Connect each connector.
3. Perform "DTC CONFIRMATION PROCEDURE". Refer to TM-87, "DTC Logic".

Is "P0845 TR PRS SENS/B CIRC" detected?

YES >> Replace transaxle assembly. Refer to TM-189, "Exploded View".NO >> Replace TCM. Refer to TM-168, "Exploded View".**8. DETECT MALFUNCTIONING ITEMS**

Check TCM connector pin terminals for damage or loose connection with harness connector.

Is the inspection result normal?

YES >> Replace TCM. Refer to TM-168, "Exploded View".

NO &gt;&gt; Repair or replace damaged parts.

دیجیتال خودرو

شرکت دیجیتال خودرو سامانه (مسئولیت محدود)

اولین سامانه دیجیتال تعمیرکاران خودرو در ایران



## P0868 SECONDARY PRESSURE DOWN

&lt; COMPONENT DIAGNOSIS &gt;

[CVT: RE0F09B]

## P0868 SECONDARY PRESSURE DOWN

## Description

INFOID:000000006191550

The pressure control solenoid valve B (secondary pressure solenoid valve) regulates the secondary pressure to suit the driving condition in response to a signal sent from the TCM.

## DTC Logic

INFOID:000000006191551

## DTC DETECTION LOGIC

DTC	Item (CONSULT-III screen term)	Malfunction is detected when...	Possible cause
P0868	SEC/PRESS DOWN	Secondary fluid pressure is too low compared with the commanded value while driving.	<ul style="list-style-type: none"> <li>• Harness or connectors (Solenoid circuit is open or shorted.)</li> <li>• Pressure control solenoid valve B (secondary pressure solenoid valve) system</li> <li>• Transmission fluid pressure sensor A (secondary pressure sensor)</li> <li>• Line pressure control system</li> </ul>

## DTC CONFIRMATION PROCEDURE

## CAUTION:

Always drive vehicle at a safe speed.

## NOTE:

Immediately after performing any "DTC CONFIRMATION PROCEDURE", always turn ignition switch OFF. Then wait at least 10 seconds before performing the next test.

## 1. CHECK DTC DETECTION

ⓑ With CONSULT-III

1. Turn ignition switch ON.
2. Select "Data Monitor" in "TRANSMISSION".
3. Check that output voltage of CVT fluid temperature sensor is within the range below.

ATF TEMP SEN : 1.0 – 2.0 V

If it is out of range, drive the vehicle to decrease the voltage (warm up the fluid) or stop engine to increase the voltage (cool down the fluid)

4. Start engine and maintain the following conditions for at least 10 consecutive seconds.

VEHICLE SPEED (accelerate slowly) : 0 → 50 km/h (31 MPH)

ACC PEDAL OPEN : 0.5/8 – 1.0/8

RANGE : "D" position

Is "P0868 SEC/PRESS DOWN" detected?

YES >> Go to TM-90 "Diagnosis Procedure".

NO >> Check intermittent incident. Refer to GI-35 "Intermittent Incident".

## Diagnosis Procedure

INFOID:000000006191552

## 1. CHECK LINE PRESSURE

Perform line pressure test. Refer to TM-159 "Inspection and Judgment".

Is the inspection result normal?

YES >> GO TO 2.

NO >> Repair or replace damaged parts. Refer to TM-159 "Inspection and Judgment".

## 2. CHECK PRESSURE CONTROL SOLENOID VALVE B (SECONDARY PRESSURE SOLENOID VALVE)

1. Turn ignition switch OFF.
2. Disconnect CVT unit connector.



**P0868 SECONDARY PRESSURE DOWN**

[CVT: RE0F09B]

< COMPONENT DIAGNOSIS >

3. Check pressure control solenoid valve B (secondary pressure solenoid valve). Refer to TM-91, "Component Inspection [Pressure Control Solenoid Valve B (Secondary Pressure Solenoid Valve)]".

Is the inspection result normal?

- YES >> GO TO 3.
- NO >> Repair or replace damaged parts.

**3.CHECK PRESSURE CONTROL SOLENOID VALVE A (LINE PRESSURE SOLENOID VALVE)**

Check pressure control solenoid valve A (line pressure solenoid valve). Refer to TM-91, "Component Inspection [Pressure Control Solenoid Valve A (Line Pressure Solenoid Valve)]".

Is the inspection result normal?

- YES >> GO TO 4.
- NO >> Repair or replace damaged parts.

**4.CHECK TRANSMISSION FLUID PRESSURE SENSOR A (SECONDARY PRESSURE SENSOR) SYSTEM**

Check transmission fluid pressure sensor A (secondary pressure sensor) system. Refer to TM-81, "DTC Logic".

Is the inspection result normal?

- YES >> GO TO 5.
- NO >> Repair or replace damaged parts.

**5.DETECT MALFUNCTIONING ITEMS**

Check TCM connector pin terminals for damage or loose connection with harness connector.

Is the inspection result normal?

- YES >> Replace TCM. Refer to TM-168, "Exploded View".
- NO >> Repair or replace damaged parts.

**Component Inspection [Pressure Control Solenoid Valve A (Line Pressure Solenoid Valve)]**

INFOID:000000006191553

**1.CHECK PRESSURE CONTROL SOLENOID VALVE A (LINE PRESSURE SOLENOID VALVE)**

Check resistance between CVT unit connector terminal and ground.

CVT unit connector		Ground	Resistance (Approx.)
Connector	Terminal		
F24	2		3.0 - 9.0 Ω

Is the inspection result normal?

- YES >> INSPECTION END
- NO >> Replace transaxle assembly. Refer to TM-189, "Exploded View".

**Component Inspection [Pressure Control Solenoid Valve B (Secondary Pressure Solenoid Valve)]**

INFOID:000000006191554

**1.CHECK PRESSURE CONTROL SOLENOID VALVE B (SECONDARY PRESSURE SOLENOID VALVE)**

Check resistance between CVT unit connector terminal and ground.

CVT unit connector		Ground	Resistance (Approx.)
Connector	Terminal		
F24	3		3.0 - 9.0 Ω

Is the inspection result normal?

- YES >> INSPECTION END
- NO >> Replace transaxle assembly. Refer to TM-189, "Exploded View".

**P1701 TRANSMISSION CONTROL MODULE (POWER SUPPLY)**

< COMPONENT DIAGNOSIS >

[CVT: RE0F09B]

**P1701 TRANSMISSION CONTROL MODULE (POWER SUPPLY)**

**Description**

INFOID:000000006191555

When the power supply to the TCM is cut off, for example because the battery is removed, and the self-diagnosis memory function stops, a malfunction is detected.

**NOTE:**

Since "P1701 TCM-POWER SUPPLY" is indicated when replacing TCM, perform diagnosis after erasing "Self Diagnostic Results".

**DTC Logic**

INFOID:000000006191556

**DTC DETECTION LOGIC**

DTC	Item (CONSULT-III screen term)	Malfunction is detected when...	Possible cause
P1701	TCM-POWER SUPPLY	<ul style="list-style-type: none"> <li>When the power supply to the TCM is cut off, for example because the battery is removed, and the self-diagnosis memory function stops.</li> <li>This is not a malfunction message (Whenever shutting off a power supply to the TCM, this message appears on the screen).</li> </ul>	Harness or connectors (Battery or ignition switch and TCM circuit is open or shorted.)

**DTC CONFIRMATION PROCEDURE**

**NOTE:**

Immediately after performing any "DTC CONFIRMATION PROCEDURE", always turn ignition switch OFF. Then wait at least 10 seconds before performing the next test.

**1. CHECK DTC DETECTION**

Ⓜ With CONSULT-III

- Turn ignition switch ON.
- Wait for at least 2 consecutive seconds.
- Perform "Self Diagnostic Results" in "TRANSMISSION".

Is "P1701 TCM-POWER SUPPLY" detected?

- YES >> Go to TM-92, "Diagnosis Procedure".  
 NO >> Check intermittent incident. Refer to GI-35, "Intermittent Incident".

**Diagnosis Procedure**

INFOID:000000006191557

**1. CHECK TCM POWER SOURCE**

- Turn ignition switch OFF.
- Disconnect TCM connector.
- Check voltage between TCM vehicle side harness connector terminals.

TCM vehicle side harness connector		Condition	Voltage (Approx.)
Connector	Terminal		
F23	46	Ignition switch ON	Battery voltage
		Ignition switch OFF	0 V
	48	Ignition switch ON	Battery voltage
		Ignition switch OFF	0 V
	47	Always	Battery voltage
		5, 42	

Is the inspection result normal?

- YES >> GO TO 6.  
 NO >> GO TO 2.

**P1701 TRANSMISSION CONTROL MODULE (POWER SUPPLY)**

< COMPONENT DIAGNOSIS >

[CVT: RE0F09B]

**2.CHECK TCM GROUND CIRCUIT**

1. Turn ignition switch OFF.
2. Check continuity between TCM vehicle side harness connector terminals and ground.

TCM vehicle side harness connector		Ground	Continuity
Connector	Terminal		
F23	5		Existed
	42		

Is the inspection result normal?

- YES >> GO TO 3.  
 NO >> Repair or replace damaged parts.

**3.CHECK TCM POWER CIRCUIT**

Check voltage between TCM vehicle side harness connector terminals and ground.

TCM vehicle side harness connector		Ground	Condition	Voltage (Approx.)
Connector	Terminal			
F23	46		Ignition switch ON	Battery voltage
			Ignition switch OFF	0 V
	48		Ignition switch ON	Battery voltage
			Ignition switch OFF	0 V
	47		Always	Battery voltage

Is the inspection result normal?

- YES >> GO TO 6.  
 NO >> GO TO 4.

**4.CHECK HARNESS BETWEEN TCM AND IPDM E/R AND BETWEEN TCM AND BATTERY (PART 1)**

1. Turn ignition switch OFF.
2. Disconnect IPDM E/R connector.
3. Check continuity between TCM vehicle side harness connector terminals and IPDM E/R vehicle side harness connector terminal.

TCM vehicle side harness connector		IPDM E/R vehicle side harness connector		Continuity
Connector	Terminal	Connector	Terminal	
F23	46	F12	58	Existed
	48			

4. Disconnect fuse block (J/B) connector.
5. Check continuity between TCM vehicle side harness connector terminal and fuse block (J/B) vehicle side harness connector terminal.

TCM vehicle side harness connector		Fuse block (J/B) vehicle side harness connector		Continuity
Connector	Terminal	Connector	Terminal	
F23	47	E103	12F	Existed

Is the inspection result normal?

- YES >> GO TO 5.  
 NO >> Repair or replace damaged parts.

**5.CHECK HARNESS BETWEEN TCM AND IPDM E/R AND BETWEEN TCM AND BATTERY (PART 2)**

Check continuity between TCM vehicle side harness connector terminals and ground.

## P1701 TRANSMISSION CONTROL MODULE (POWER SUPPLY)

&lt; COMPONENT DIAGNOSIS &gt;

[CVT: RE0F09B]

TCM vehicle side harness connector		Ground	Continuity
Connector	Terminal		
F23	46		Not existed
	47		
	48		

Is the inspection result normal?

- YES >> Check the following. If NG, repair or replace damaged parts.
- 10A fuse (No. 43, located in IPDM E/R)
  - 10A fuse [No. 11, located in fuse block (J/B)]
  - IPDM E/R
  - Ignition switch. Refer to PG-10, "Wiring Diagram - BATTERY POWER SUPPLY -".
- NO >> Repair or replace damaged parts.

**6. DETECT MALFUNCTIONING ITEMS**

Check TCM connector pin terminals for damage or loose connection with harness connector.

Is the inspection result normal?

- YES >> Replace TCM. Refer to TM-168, "Exploded View".
- NO >> Repair or replace damaged parts.

# دیجیتال خودرو

شرکت دیجیتال خودرو سامانه (مسئولیت محدود)

اولین سامانه دیجیتال تعمیرکاران خودرو در ایران



## P1705 THROTTLE POSITION SENSOR

&lt; COMPONENT DIAGNOSIS &gt;

[CVT: RE0F09B]

## P1705 THROTTLE POSITION SENSOR

## Description

INFOID:000000006191558

The electric throttle control actuator consists of throttle control motor, accelerator pedal position sensor, throttle position sensor, etc. The actuator sends a signal to the ECM, and ECM sends the signal to TCM via CAN communication.

## DTC Logic

INFOID:000000006191559

## DTC DETECTION LOGIC

DTC	Item (CONSULT-III screen term)	Malfunction is detected when...	Possible cause
P1705	TP SEN/CIRC A/T	TCM does not receive the proper accelerator pedal position signals (input via CAN communication) from ECM.	<ul style="list-style-type: none"> <li>ECM</li> <li>Harness or connectors (CAN communication line is open or shorted.)</li> </ul>

## DTC CONFIRMATION PROCEDURE

**NOTE:**

Immediately after performing any "DTC CONFIRMATION PROCEDURE", always turn ignition switch OFF. Then wait at least 10 seconds before performing the next test.

## 1. CHECK DTC DETECTION

ⓐ With CONSULT-III

- Turn ignition switch ON.
- Depress accelerator pedal fully and release it, then wait for 5 seconds.
- Perform "Self Diagnostic Results" in "TRANSMISSION".

Is "P1705 TP SEN/CIRC A/T" detected?

YES &gt;&gt; Go to TM-95, "Diagnosis Procedure".

NO &gt;&gt; Check intermittent incident. Refer to GI-35, "Intermittent Incident".

## Diagnosis Procedure

INFOID:000000006191560

## 1. CHECK DTC WITH ECM

ⓐ With CONSULT-III

- Turn ignition switch ON.
- Perform "Self Diagnostic Results" in "ENGINE".

Is the inspection result normal?

YES &gt;&gt; GO TO 2.

NO &gt;&gt; Check DTC Detected Item. Refer to EC-395, "DTC Index" [With OBD (VQ35DE TYPE 1)], EC-769, "DTC Index" [Without OBD (VQ35DE TYPE 2)].

## 2. CHECK DTC WITH TCM

ⓐ With CONSULT-III

Perform "Self Diagnostic Results" in "TRANSMISSION".

Is "P1705 TP SEN/CIRC A/T" detected?

YES &gt;&gt; Replace TCM. Refer to TM-168, "Exploded View".

NO &gt;&gt; GO TO 3.

## 3. DETECT MALFUNCTIONING ITEMS

Check TCM connector pin terminals for damage or loose connection with harness connector.

Is the inspection result normal?

YES &gt;&gt; Replace TCM. Refer to TM-168, "Exploded View".

NO &gt;&gt; Repair or replace damaged parts.

**P1722 ESTM VEHICLE SPEED SIGNAL**

< COMPONENT DIAGNOSIS >

[CVT: RE0F09B]

**P1722 ESTM VEHICLE SPEED SIGNAL**

**Description**

INFOID:000000006191561

The vehicle speed signal is transmitted from ABS actuator and electric unit (control unit) to TCM via CAN communication line.

**DTC Logic**

INFOID:000000006191562

**DTC DETECTION LOGIC**

DTC	Item (CONSULT-III screen term)	Malfunction is detected when...	Possible cause
P1722	ESTM VEH SPD SIG	<ul style="list-style-type: none"> <li>CAN communication with the ABS actuator and the electric unit (control unit) is malfunctioning.</li> <li>There is a big difference between the vehicle speed signal from the ABS actuator and the electric unit (control unit), and the vehicle speed sensor signal.</li> </ul>	<ul style="list-style-type: none"> <li>Harness or connectors (Sensor circuit is open or shorted.)</li> <li>ABS actuator and electric unit (control unit)</li> </ul>

**DTC CONFIRMATION PROCEDURE**

**CAUTION:**

Always drive vehicle at a safe speed.

**NOTE:**

Immediately after performing any "DTC CONFIRMATION PROCEDURE", always turn ignition switch OFF. Then wait at least 10 seconds before performing the next test.

**1. CHECK DTC DETECTION**

ⓂWith CONSULT-III

- Turn ignition switch ON.
- Select "Data Monitor" in "TRANSMISSION".
- Start engine and maintain the following conditions for at least 5 consecutive seconds.

ACC PEDAL OPEN : 1.0/8 or less  
 VEHICLE SPEED : 30 km/h (19 MPH) or more

**Is "P1722 ESTM VEH SPD SIG" detected?**

- YES >> Go to TM-96. "Diagnosis Procedure".  
 NO >> Check intermittent incident. Refer to GI-35. "Intermittent Incident".

**Diagnosis Procedure**

INFOID:000000006191563

**1. CHECK DTC WITH ABS ACTUATOR AND ELECTRIC UNIT (CONTROL UNIT)**

ⓂWith CONSULT-III

Perform "Self Diagnostic Results" in "ABS".

**Is the inspection result normal?**

- YES >> GO TO 2.  
 NO >> Check DTC detected item. Refer to BRC-98. "DTC No. Index" (VDC/TCS/ABS).

**2. CHECK DTC WITH TCM**

ⓂWith CONSULT-III

Perform "Self Diagnostic Results" in "TRANSMISSION".

**Is "P1722 ESTM VEH SPD SIG" detected?**

- YES >> Replace TCM. Refer to TM-168. "Exploded View".  
 NO >> GO TO 3.

**3. DETECT MALFUNCTIONING ITEMS**

Check TCM connector pin terminals for damage or loose connection with harness connector.



## P1722 ESTM VEHICLE SPEED SIGNAL

&lt; COMPONENT DIAGNOSIS &gt;

[CVT: RE0F09B]

Is the inspection result normal?

- YES >> Replace TCM. Refer to TM-168, "Exploded View".
- NO >> Repair or replace damaged parts.

A

B

C

TM

E

F

G

H

I

J

K

L

M

N

O

P

# دیجیتال خودرو

شرکت دیجیتال خودرو سامانه (مسئولیت محدود)

اولین سامانه دیجیتال تعمیرکاران خودرو در ایران



P1723 CVT SPEED SENSOR FUNCTION

< COMPONENT DIAGNOSIS >

[CVT: RE0F09B]

P1723 CVT SPEED SENSOR FUNCTION

Description

INFOID:000000006191564

The vehicle speed sensor CVT [output speed sensor (secondary speed sensor)] detects the revolution of parking gear and generates a pulse signal. The pulse signal is sent to the TCM, which converts it into vehicle speed.

The input speed sensor (primary speed sensor) detects the primary pulley revolution speed and sends a signal to the TCM.

DTC Logic

INFOID:000000006191565

DTC DETECTION LOGIC

DTC	Item (CONSULT-III screen term)	Malfunction is detected when...	Possible cause
P1723	CVT SPD SEN/FNCTN	A rotation sensor error is detected because the gear does not change in accordance with the position of the stepping motor. <b>CAUTION:</b> One of the "P0720 VEH SPD SEN/CIR AT", the "P0715 INPUT SPD SEN/CIRC" or the "P0725 ENGINE SPEED SIG" is displayed with the DTC at the same time.	<ul style="list-style-type: none"> <li>• Harness or connectors (Sensor circuit is open or shorted.)</li> <li>• Output speed sensor (secondary speed sensor)</li> <li>• Input speed sensor (primary speed sensor)</li> <li>• Engine speed signal system</li> </ul>

DTC CONFIRMATION PROCEDURE

**CAUTION:**

Always drive vehicle at a safe speed.

**NOTE:**

Immediately after performing any "DTC CONFIRMATION PROCEDURE", always turn ignition switch OFF. Then wait at least 10 seconds before performing the next test.

1. CHECK DTC DETECTION

Ⓐ With CONSULT-III

1. Turn ignition switch ON.
2. Select "Data Monitor" in "TRANSMISSION".
3. Start engine and maintain the following conditions for at least 5 consecutive seconds.

VEHICLE SPEED	: 10 km/h (6 MPH) or more
ACC PEDAL OPEN	: More than 1.0/8
RANGE	: "D" position
ENG SPEED	: 450 rpm or more
Driving location	: Driving the vehicle uphill (increased engine load) will help maintain the driving conditions required for this test.

Is "P1723 CVT SPD SEN/FNCTN" detected?

- YES >> Go to TM-98, "Diagnosis Procedure".  
NO >> Check intermittent incident. Refer to GI-35, "Intermittent Incident".

Diagnosis Procedure

INFOID:000000006191566

1. CHECK STEP MOTOR FUNCTION

Perform "Self Diagnostic Results" in "TRANSMISSION".

Is "P1778 STEP MOTR/FNC" detected?

- YES >> Repair or replace damaged parts. Refer to TM-107, "DTC Logic".  
NO >> GO TO 2.

2. CHECK OUTPUT SPEED SENSOR (SECONDARY SPEED SENSOR) SYSTEM

Check output speed sensor (secondary speed sensor) system. Refer to TM-59, "DTC Logic".

Is the inspection result normal?

## P1723 CVT SPEED SENSOR FUNCTION

&lt; COMPONENT DIAGNOSIS &gt;

[CVT: RE0F09B]

YES &gt;&gt; GO TO 3.

NO &gt;&gt; Repair or replace damaged parts.

**3. CHECK INPUT SPEED SENSOR (PRIMARY SPEED SENSOR) SYSTEM**Check input speed sensor (primary speed sensor) system. Refer to TM-56, "DTC Logic".Is the inspection result normal?

YES &gt;&gt; GO TO 4.

NO &gt;&gt; Repair or replace damaged parts.

**4. CHECK ENGINE SPEED SIGNAL SYSTEM**Check engine speed signal system. Refer to TM-63, "DTC Logic".Is the inspection result normal?

YES &gt;&gt; GO TO 5.

NO &gt;&gt; Repair or replace damaged parts.

**5. DETECT MALFUNCTIONING ITEMS**

Check TCM connector pin terminals for damage or loose connection with harness connector.

Is the inspection result normal?YES >> Replace TCM. Refer to TM-168, "Exploded View".

NO &gt;&gt; Repair or replace damaged parts.

دیجیتال خودرو

شرکت دیجیتال خودرو سامانه (مسئولیت محدود)

اولین سامانه دیجیتال تعمیرکاران خودرو در ایران



**P1726 ELECTRIC THROTTLE CONTROL SYSTEM**

< COMPONENT DIAGNOSIS >

[CVT: RE0F09B]

**P1726 ELECTRIC THROTTLE CONTROL SYSTEM**

**Description**

INFOID:000000006191567

The electric throttle control actuator consists of throttle control motor, accelerator pedal position sensor, throttle position sensor, etc. The actuator sends a signal to the ECM, and ECM sends the signal to TCM via CAN communication.

**DTC Logic**

INFOID:000000006191568

**DTC DETECTION LOGIC**

DTC	Item (CONSULT-III screen term)	Malfunction is detected when...	Possible cause
P1726	ELEC TH CONTROL	The electronically controlled throttle for ECM is malfunctioning.	Harness or connectors (Sensor circuit is open or shorted.)

**DTC CONFIRMATION PROCEDURE**

**NOTE:**

Immediately after performing any "DTC CONFIRMATION PROCEDURE", always turn ignition switch OFF. Then wait at least 10 seconds before performing the next test.

**1. CHECK DTC DETECTION**

ⓂWith CONSULT-III

1. Start engine and let it idle for 5 seconds.
2. Perform "Self Diagnostic Results" in "TRANSMISSION".

Is "P1726 ELEC TH CONTROL" detected?

- YES >> Go to TM-100, "Diagnosis Procedure".
- NO >> Check intermittent incident. Refer to GI-35, "Intermittent Incident".

**Diagnosis Procedure**

INFOID:000000006191569

**1. CHECK DTC WITH ECM**

ⓂWith CONSULT-III

1. Turn ignition switch ON.
2. Select "Self Diagnostic Results" in "ENGINE".

Is the inspection result normal?

- YES >> GO TO 2.
- NO >> Check DTC Detected Item. Refer to EC-395, "DTC Index" [With OBD (VQ35DE TYPE 1)], EC-769, "DTC Index" [Without OBD (VQ35DE TYPE 2)].

**2. CHECK DTC WITH TCM**

ⓂWith CONSULT-III

Perform "Self Diagnostic Results" in "TRANSMISSION".

Is "P1726 ELEC TH CONTROL" detected?

- YES >> Replace TCM. Refer to TM-168, "Exploded View".
- NO >> GO TO 3.

**3. DETECT MALFUNCTIONING ITEMS**

Check TCM connector pin terminals for damage or loose connection with harness connector.

Is the inspection result normal?

- YES >> Replace TCM. Refer to TM-168, "Exploded View".
- NO >> Repair or replace damaged parts.

**P1740 LOCK-UP SELECT SOLENOID VALVE**

< COMPONENT DIAGNOSIS >

[CVT: RE0F09B]

**P1740 LOCK-UP SELECT SOLENOID VALVE**

**Description**

INFOID:000000006191570

- The lock-up select solenoid valve controls lock-up clutch pressure or forward clutch pressure (reverse brake pressure).
- When controlling lock-up clutch, the valve is turned OFF. When controlling forward clutch, it is turned ON.

**DTC Logic**

INFOID:000000006191571

**DTC DETECTION LOGIC**

DTC	Item (CONSULT-III screen term)	Malfunction is detected when...	Possible cause
P1740	LU-SLCT SOL/CIRC	<ul style="list-style-type: none"> <li>• Normal voltage is not applied to solenoid due to cut line, short, etc.</li> <li>• TCM detects as irregular by comparing target value with monitor value.</li> </ul>	<ul style="list-style-type: none"> <li>• Harness or connectors (Solenoid circuit is open or shorted.)</li> <li>• Lock-up select solenoid valve</li> </ul>

**DTC CONFIRMATION PROCEDURE**

**CAUTION:**

**Always drive vehicle at a safe speed.**

**NOTE:**

Immediately after performing any "DTC CONFIRMATION PROCEDURE", always turn ignition switch OFF. Then wait at least 10 seconds before performing the next test.

**1. CHECK DTC DETECTION**

Ⓜ With CONSULT-III

1. Turn ignition switch ON.
2. Select "Data Monitor" in "TRANSMISSION".
3. Start engine and maintain the following conditions for at least 5 consecutive seconds.

اولین حالت "D", "N" and "L" position تعمیرکاران خود RANGE ایران  
(At each time, wait for 5 seconds.)

Ⓜ With GST

Follow the procedure "With CONSULT-III".

**Is "P1740 LU-SLCT SOL/CIRC" detected?**

- YES >> Go to TM-101, "Diagnosis Procedure".
- NO >> Check intermittent incident. Refer to GI-35, "Intermittent Incident".

**Diagnosis Procedure**

INFOID:000000006191572

**1. CHECK LOCK-UP SELECT SOLENOID VALVE CIRCUIT**

1. Turn ignition switch OFF.
2. Disconnect TCM connector.
3. Check resistance between TCM vehicle side harness connector terminal and ground.

TCM vehicle side harness connector		Ground	Resistance (Approx.)
Connector	Terminal		
F23	37		6.0 – 19.0 Ω

**Is the inspection result normal?**

- YES >> GO TO 5.
- NO >> GO TO 2.

**2. CHECK HARNESS BETWEEN TCM AND CVT UNIT (LOCK-UP SELECT SOLENOID VALVE) (PART 1)**

1. Disconnect CVT unit connector.

**P1740 LOCK-UP SELECT SOLENOID VALVE**

< COMPONENT DIAGNOSIS >

[CVT: RE0F09B]

2. Check continuity between TCM vehicle side harness connector terminal and CVT unit vehicle side harness connector terminal.

TCM vehicle side harness connector		CVT unit vehicle side harness connector		Continuity
Connector	Terminal	Connector	Terminal	
F23	37	F24	13	Existed

Is the inspection result normal?

- YES >> GO TO 3.
- NO >> Repair or replace damaged parts.

**3.CHECK HARNESS BETWEEN TCM AND CVT UNIT (LOCK-UP SELECT SOLENOID VALVE) (PART 2)**

Check continuity between TCM vehicle side harness connector terminal and ground.

TCM vehicle side harness connector		Ground	Continuity
Connector	Terminal		
F23	37		Not existed

Is the inspection result normal?

- YES >> GO TO 4.
- NO >> Repair or replace damaged parts.

**4.CHECK LOCK-UP SELECT SOLENOID VALVE**

Check lock-up select solenoid valve. Refer to TM-102, "Component Inspection (Lock-up Select Solenoid Valve)".

Is the inspection result normal?

- YES >> GO TO 5.
- NO >> Replace transaxle assembly. Refer to TM-189, "Exploded View".

**5.DETECT MALFUNCTIONING ITEMS**

Check TCM connector pin terminals for damage or loose connection with harness connector.

Is the inspection result normal?

- YES >> Replace TCM. Refer to TM-168, "Exploded View".
- NO >> Repair or replace damaged parts.

**Component Inspection (Lock-up Select Solenoid Valve)**

INFOID:000000006191573

**1.CHECK LOCK-UP SELECT SOLENOID VALVE**

Check resistance between CVT unit connector terminal and ground.

CVT unit connector		Ground	Resistance (Approx.)
Connector	Terminal		
F24	13		6.0 – 19.0 Ω

Is the inspection result normal?

- YES >> INSPECTION END
- NO >> Replace transaxle assembly. Refer to TM-189, "Exploded View".



**P1745 LINE PRESSURE CONTROL**

< COMPONENT DIAGNOSIS >

[CVT: RE0F09B]

**P1745 LINE PRESSURE CONTROL**

**Description**

INFOID.0000000006191574

The pressure control solenoid valve A (line pressure solenoid valve) regulates the oil pump discharge pressure to suit the driving condition in response to a signal sent from the TCM.

**DTC Logic**

INFOID.0000000006191575

**DTC DETECTION LOGIC**

DTC	Item (CONSULT-III screen term)	Malfunction is detected when...	Possible cause
P1745	L/PRESS CONTROL	TCM detects the unexpected line pressure.	TCM

**DTC CONFIRMATION PROCEDURE**

**NOTE:**

Immediately after performing any "DTC CONFIRMATION PROCEDURE", always turn ignition switch OFF. Then wait at least 10 seconds before performing the next test.

**1. CHECK DTC DETECTION**

Ⓜ With CONSULT-III

1. Turn ignition switch ON
2. Select "Data Monitor" in "TRANSMISSION".
3. Check that output voltage of CVT fluid temperature sensor is within the range below.

ATF TEMP SEN : 1.0 – 2.0 V

If out of range, drive the vehicle to decrease the voltage (warm up the fluid) or stop engine to increase the voltage (cool down the fluid)

Is "P1745 L/PRESS CONTROL" detected?

- YES >> Go to TM-103, "Diagnosis Procedure".
- NO >> Check intermittent incident. Refer to GI-35, "Intermittent Incident".

**Diagnosis Procedure**

INFOID.0000000006191576

**1. CHECK DTC**

Ⓜ With CONSULT-III

1. Start engine.
2. Perform "Self Diagnostic Results" in "TRANSMISSION".

Is "P1745 L/PRESS CONTROL" detected?

- YES >> Replace TCM. Refer to TM-168, "Exploded View".
- NO >> Check intermittent incident. Refer to GI-35, "Intermittent Incident".

P1777 STEP MOTOR

< COMPONENT DIAGNOSIS >

[CVT: RE0F09B]

P1777 STEP MOTOR

Description

INFOID:000000006191577

The step motor changes the step by turning 4 coils ON/OFF according to the signal from TCM. As a result, the flow of line pressure to primary pulley is changed and pulley ratio is controlled.

DTC Logic

INFOID:000000006191578

DTC DETECTION LOGIC

DTC	Item (CONSULT-III screen term)	Malfunction is detected when...	Possible cause
P1777	STEP MOTR CIRC	Each coil of the step motor is not energized properly due to an open or a short.	<ul style="list-style-type: none"> <li>• Harness or connectors (Step motor circuit is open or shorted.)</li> <li>• Step motor</li> </ul>

DTC CONFIRMATION PROCEDURE

CAUTION:

Always drive vehicle at a safe speed.

NOTE:

If "DTC CONFIRMATION PROCEDURE" has been previously performed, always turn ignition switch OFF. Then wait at least 10 seconds before performing the next test.

1. CHECK DTC DETECTION

ⓐ With CONSULT-III

1. Start engine.
2. Drive vehicle for at least 5 consecutive seconds.
3. Perform "Self Diagnostic Results" in "TRANSMISSION".

ⓑ With GST

Follow the procedure "With CONSULT-III".

Is "P1777 STEP MOTR CIRC" detected?

- YES >> Go to TM-104, "Diagnosis Procedure".
- NO >> Check intermittent incident. Refer to G1-35, "Intermittent Incident".

Diagnosis Procedure

INFOID:000000006191579

1. CHECK STEP MOTOR CIRCUIT

1. Turn ignition switch OFF.
2. Disconnect TCM connector.
3. Check resistance between TCM vehicle side harness connector terminals.

TCM vehicle side harness connector			Resistance (Approx.)
Connector	Terminal		
F23	27	28	30.0 Ω
	29	30	

4. Check resistance between TCM vehicle side harness connector terminals and ground.

TCM vehicle side harness connector		Ground	Resistance (Approx.)
Connector	Terminal		
F23	27		15.0 Ω
	28		
	29		
	30		

P1777 STEP MOTOR

< COMPONENT DIAGNOSIS >

[CVT: RE0F09B]

Is the inspection result normal?

YES >> GO TO 5.

NO >> GO TO 2.

2. CHECK HARNESS BETWEEN TCM AND CVT UNIT (STEP MOTOR) (PART 1)

1. Disconnect CVT unit connector.
2. Check continuity between TCM vehicle side harness connector terminals and CVT unit vehicle side harness connector terminals.

TCM vehicle side harness connector		CVT unit vehicle side harness connector		Continuity
Connector	Terminal	Connector	Terminal	
F23	27	F24	9	Existed
	28		8	
	29		7	
	30		6	

Is the inspection result normal?

YES >> GO TO 3.

NO >> Repair or replace damaged parts.

3. CHECK HARNESS BETWEEN TCM AND CVT UNIT (STEP MOTOR) (PART 2)

Check continuity between TCM vehicle side harness connector terminals and ground.

TCM vehicle side harness connector		Ground	Continuity
Connector	Terminal		
F23	27		Not existed
	28		
	29		
	30		

Is the inspection result normal?

YES >> GO TO 4.

NO >> Repair or replace damaged parts.

4. CHECK STEP MOTOR

Check step motor. Refer to TM-105, "Component Inspection (Step Motor)".

Is the inspection result normal?

YES >> GO TO 5.

NO >> Replace transaxle assembly. Refer to TM-189, "Exploded View".

5. DETECT MALFUNCTIONING ITEMS

Check TCM connector pin terminals for damage or loose connection with harness connector.

Is the inspection result normal?

YES >> Replace TCM. Refer to TM-168, "Exploded View".

NO >> Repair or replace damaged parts.

Component Inspection (Step Motor)

INFOID:000000006191580

1. CHECK STEP MOTOR

1. Check resistance between CVT unit connector terminals.

CVT unit connector			Resistance (Approx.)
Connector	Terminals		
F24	6	7	30.0 Ω
	8	9	

## P1777 STEP MOTOR

&lt; COMPONENT DIAGNOSIS &gt;

[CVT: RE0F09B]

2. Check resistance between CVT unit connector terminals and ground.

CVT unit connector		Ground	Resistance (Approx.)
Connector	terminal		
F24	6		15.0 Ω
	7		
	8		
	9		

Is the inspection result normal?

YES &gt;&gt; INSPECTION END

NO &gt;&gt; Replace transaxle assembly. Refer to TM-189, "Exploded View".

# دیجیتال خودرو

شرکت دیجیتال خودرو سامانه (مسئولیت محدود)

اولین سامانه دیجیتال تعمیرکاران خودرو در ایران



P1778 STEP MOTOR - FUNCTION

< COMPONENT DIAGNOSIS >

[CVT: RE0F09B]

P1778 STEP MOTOR - FUNCTION

Description

INFOID:000000006191581

- The step motor changes the step by turning 4 coils ON/OFF according to the signal from TCM. As a result, the flow of line pressure to primary pulley is changed and pulley ratio is controlled.
- This diagnosis item is detected when the electrical system is OK, but the mechanical system is NG.
- This diagnosis item is detected when the state of the changing of the speed mechanism in the unit does not operate normally.

DTC Logic

INFOID:000000006191582

DTC DETECTION LOGIC

DTC	Item (CONSULT-III screen term)	Malfunction is detected when...	Possible cause
P1778	STEP MOTR/FNC	There is a big difference between the number of steps for the stepping motor and for the actual gear ratio.	Step motor

DTC CONFIRMATION PROCEDURE

CAUTION:

- Always drive vehicle at a safe speed.
- Before starting "DTC CONFIRMATION PROCEDURE", confirm "Hi" or "Mid" or "Low" fixation by "PRI SPEED" and "VEHICLE SPEED" in "Data Monitor".
- If hi-gear fixation occurred, go to TM-107, "Diagnosis Procedure".

NOTE:

Immediately after performing any "DTC CONFIRMATION PROCEDURE", always turn ignition switch OFF. Then wait at least 10 seconds before performing the next test.

1. CHECK DTC DETECTION

Ⓑ With CONSULT-III

1. Turn ignition switch ON.
2. Select "Data Monitor" in "TRANSMISSION".
3. Check that output voltage of CVT fluid temperature sensor is within the range below.

ATF TEMP SEN : 1.0 – 2.0 V

If it is out of range, drive the vehicle to decrease the voltage (warm up the fluid) or stop engine to increase the voltage (cool down the fluid)

4. Start engine and maintain the following conditions for at least 30 consecutive seconds.

Start test from 0 km/h (0 MPH)

- Constant acceleration : Keep 30 sec or more
- VEHICLE SPEED : 10 km/h (6 MPH) or more
- ACC PEDAL OPEN : More than 1.0/8
- RANGE : "D" position
- ENG SPEED : 450 rpm or more

Ⓒ With GST

Follow the procedure "With CONSULT-III".

Is "P1778 STEP MOTR/FNC" detected?

- YES >> Go to TM-107, "Diagnosis Procedure".
- NO >> Check intermittent incident. Refer to GI-35, "Intermittent Incident".

Diagnosis Procedure

INFOID:000000006191583

1. CHECK STEP MOTOR SYSTEM

Check step motor system. Refer to TM-104, "Description".

Is the inspection result normal?

## P1778 STEP MOTOR - FUNCTION

## &lt; COMPONENT DIAGNOSIS &gt;

[CVT: RE0F09B]

YES &gt;&gt; GO TO 2.

NO &gt;&gt; Repair or replace damaged parts.

**2. CHECK INPUT SPEED SENSOR (PRIMARY SPEED SENSOR) SYSTEM**Check input speed sensor (primary speed sensor) system. Refer to TM-56. "Description".Is the inspection result normal?

YES &gt;&gt; GO TO 3.

NO &gt;&gt; Repair or replace damaged parts.

**3. CHECK OUTPUT SPEED SENSOR (SECONDARY SPEED SENSOR) SYSTEM**Check output speed sensor (secondary speed sensor) system. Refer to TM-59. "Description".Is the inspection result normal?

YES &gt;&gt; GO TO 4.

NO &gt;&gt; Repair or replace damaged parts.

**4. DETECT MALFUNCTIONING ITEMS**

Check TCM connector pin terminals for damage or loose connection with harness connector.

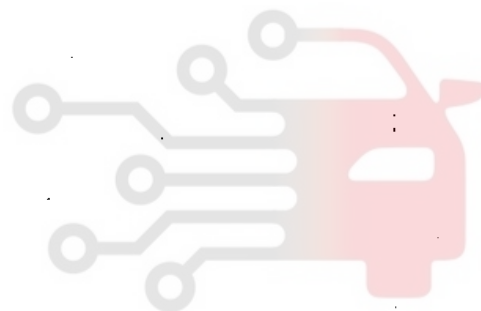
Is the inspection result normal?YES >> Replace TCM. Refer to TM-168. "Exploded View".

NO &gt;&gt; Repair or replace damaged parts.

# دیجیتال خودرو

شرکت دیجیتال خودرو سامانه (مسئولیت محدود)

اولین سامانه دیجیتال تعمیرکاران خودرو در ایران





## SHIFT POSITION INDICATOR CIRCUIT

&lt; COMPONENT DIAGNOSIS &gt;

[CVT: RE0F09B]

## SHIFT POSITION INDICATOR CIRCUIT

## SPORT MODE

## SPORT MODE : Description

INFOID:000000006191584

- TCM sends position indicator signals to combination meter via CAN communication line.
- The selector lever position is indicated on the shift position indicator.

## SPORT MODE : Component Function Check

INFOID:000000006191585

## 1. CHECK SHIFT POSITION INDICATOR

**CAUTION:****Always drive vehicle at a safe speed.**

1. Start engine.
2. Check that correct selector lever position ("P", "R", "N", "D", "L") is displayed as selector lever is moved into each position.

Is the inspection result normal?

YES &gt;&gt; INSPECTION END

NO >> Go to TM-109, "SPORT MODE : Diagnosis Procedure".

## SPORT MODE : Diagnosis Procedure

INFOID:000000006191586

## 1. CHECK INPUT SIGNALS

① With CONSULT-III

1. Start engine.
2. Select "RANGE" in "Data Monitor" and read out the value.
3. Check that correct selector lever position ("P", "R", "N", "D", "L") is displayed as selector lever is moved into each position.

Is the inspection result normal?

YES &gt;&gt; INSPECTION END

NO-1 (CVT position indicator does not indicate "L" when selector lever is moved into "L.")&gt;&gt;Check the following.

- Check sport mode switch. Refer to TM-117, "Description".
- Check CVT main system (Fail-safe function actuated).
- Perform "Self Diagnostic Results" in "TRANSMISSION".

NO-2 (The actual gear position changes, but the shift position indicator is not indicated.)&gt;&gt;Perform "Self Diagnostic Results" in "TRANSMISSION".

NO-3 (The actual gear position and the indication on the shift position indicator do not coincide.)&gt;&gt;Perform "Self Diagnostic Results" in "TRANSMISSION".

NO-4 (Only a specific position or positions is/are not indicated on the shift position indicator.)>>Check the combination meter. Refer to MWI-32, "CONSULT-III Function (METER/M&A)".

## MANUAL MODE

## MANUAL MODE : Description

INFOID:000000006191587

- TCM sends position indicator signals to combination meter via CAN communication line.
- The selector lever position is indicated on the shift position indicator.

## MANUAL MODE : Component Function Check

INFOID:000000006191588

## 1. CHECK SHIFT POSITION INDICATOR

**CAUTION:****Always drive vehicle at a safe speed.**

1. Start engine.
2. Check that correct selector lever position ("P", "R", "N", "D") is displayed as selector lever is moved into each position.

Is the inspection result normal?

YES &gt;&gt; INSPECTION END

## SHIFT POSITION INDICATOR CIRCUIT

&lt; COMPONENT DIAGNOSIS &gt;

[CVT: RE0F09B]

NO &gt;&gt; Go to TM-110, "MANUAL MODE : Diagnosis Procedure".

## MANUAL MODE : Diagnosis Procedure

INFOID:000000006191569

## 1. CHECK INPUT SIGNALS

Ⓜ With CONSULT-III

1. Start engine.
2. Select "RANGE" in "Data Monitor" and read out the value.
3. Check that correct selector lever position ("P", "R", "N", "D") is displayed as selector lever is moved into each position.
4. Drive vehicle in the manual mode, and confirm that the actual gear position and the meter's indication of the position mutually coincide when the selector lever is shifted to the "UP (+ side)" or "DOWN (- side)" side (1st ⇔ 6th gear).

Is the inspection result normal?

YES &gt;&gt; INSPECTION END

NO-1 [The actual gear position does not change, or shifting into the manual mode is not possible (no gear shifting in the manual mode possible). Or the shift position indicator is not indicated.]&gt;&gt;Check the following.

- Check manual mode switch. Refer to TM-80, "Component Inspection (Manual Mode Switch)".
- Check CVT main system (Fail-safe function actuated).
- Perform "Self Diagnostic Results" in "TRANSMISSION".

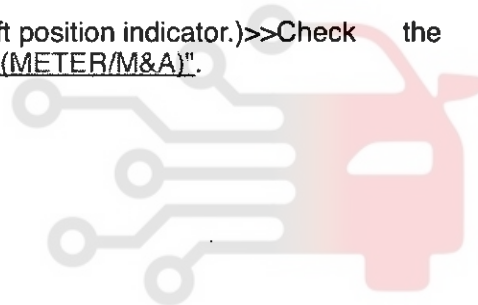
NO-2 (The actual gear position changes, but the shift position indicator is not indicated.)&gt;&gt;Perform "Self Diagnostic Results" in "TRANSMISSION".

NO-3 (The actual gear position and the indication on the shift position indicator do not coincide.)&gt;&gt;Perform "Self Diagnostic Results" in "TRANSMISSION".

NO-4 (Only a specific position or positions is/are not indicated on the shift position indicator.)&gt;&gt;Check the combination meter. Refer to MWI-32, "CONSULT-III Function (METER/M&amp;A)".

شرکت دیجیتال خودرو سامانه (مسئولیت محدود)

اولین سامانه دیجیتال تعمیرکاران خودرو در ایران



## SHIFT LOCK SYSTEM

&lt; COMPONENT DIAGNOSIS &gt;

[CVT: RE0F09B]

## SHIFT LOCK SYSTEM

## Description

INFOID:000000006191590

Component	Function
Shift lock solenoid	It operates according to the signal from the stop lamp switch and moves the lock lever.
Lock lever	It moves according to the operation of the shift lock solenoid and performs the release of the shift lock.
Detent rod	It links with the selector button and restricts the selector lever movement.
Park position switch	It detects that the selector lever is in "P" position.
Shift lock release button	It moves the lock lever forcibly.

## Wiring Diagram - CVT SHIFT LOCK SYSTEM -

INFOID:000000006191591

# دیجیتال خودرو

شرکت دیجیتال خودرو سامانه (مسئولیت محدود)

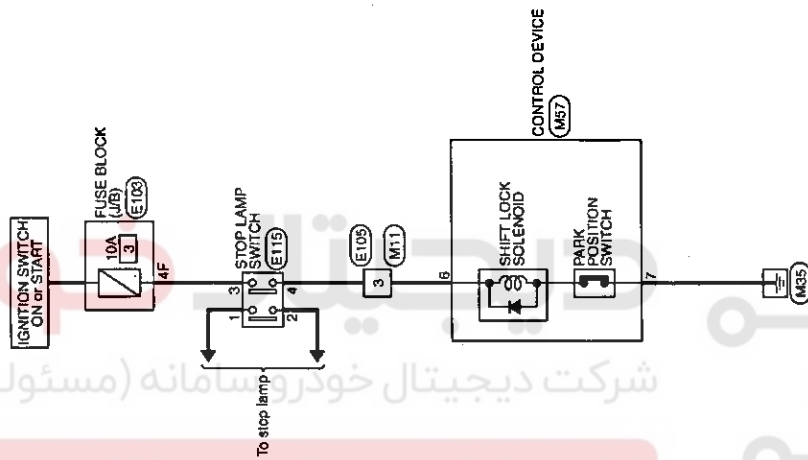
اولین سامانه دیجیتال تعمیرکاران خودرو در ایران



SHIFT LOCK SYSTEM

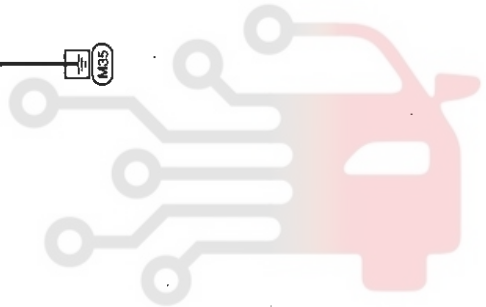
< COMPONENT DIAGNOSIS >

[CVT: RE0F09B]



شرکت دیجیتال خودرو سامانه (مسئولیت محدود)

اولین سامانه دیجیتال تعمیرکاران خودرو در ایران



CVT SHIFT LOCK SYSTEM

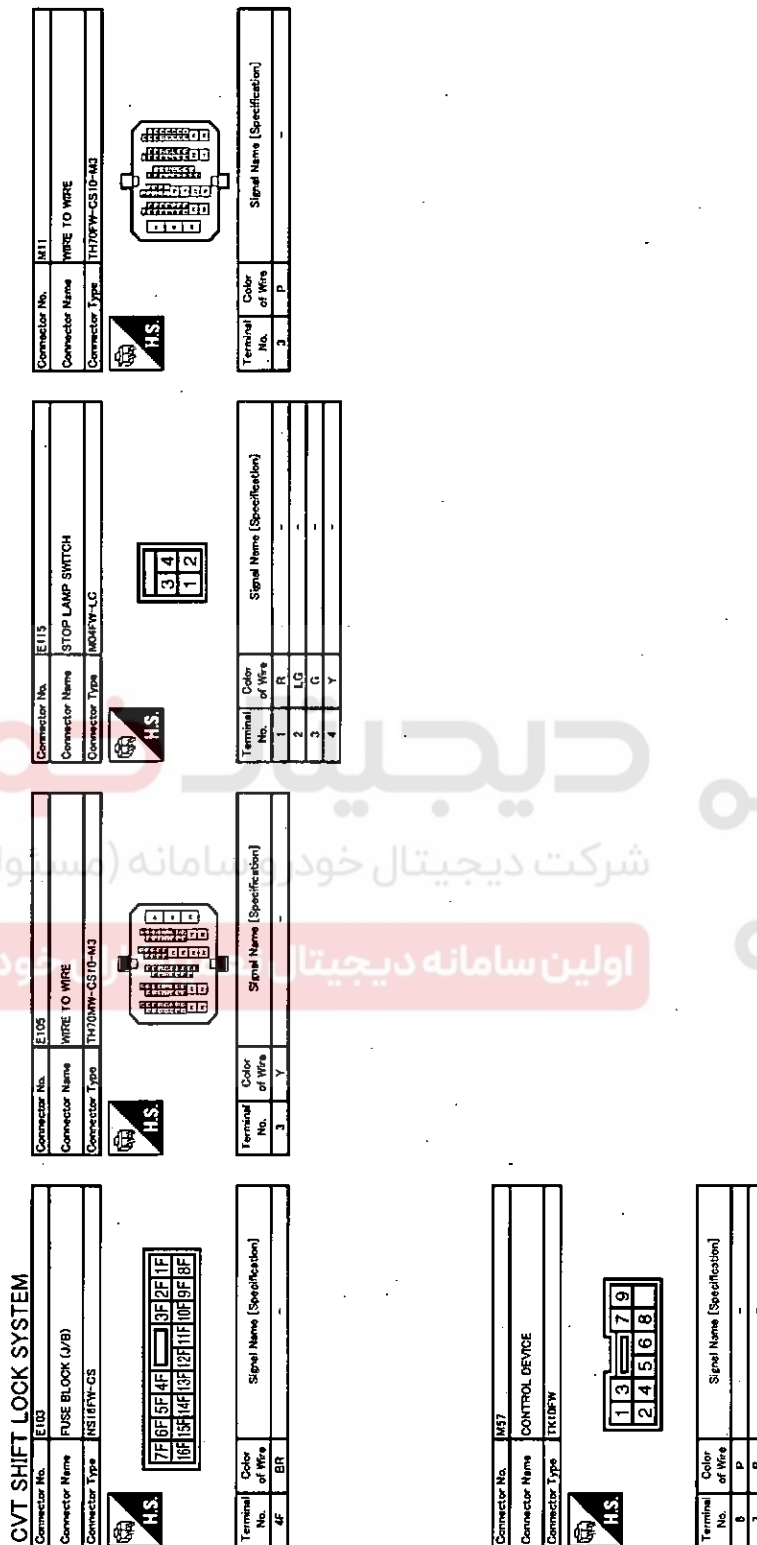
2008/09/30

JCDWM0504GB

SHIFT LOCK SYSTEM

< COMPONENT DIAGNOSIS >

[CVT: RE0F09B]



دیجیالک خودرو  
 شرکت دیجیتال خود سامانه (مسئولیت محدود)  
 اولین سامانه دیجیتال خودرو در ایران



A  
B  
C  
TM  
E  
F  
G  
H  
I  
J  
K  
L  
M  
N  
O  
P

Component Function Check

JCDWM0505GB

INFOID:000000006191592

1. CHECK CVT SHIFT LOCK OPERATION

1. Turn ignition switch ON.
2. Move selector lever to "P" position.
3. Attempt to shift selector lever to any other position with brake pedal released.

Can selector lever be shifted to any other position?

SHIFT LOCK SYSTEM

< COMPONENT DIAGNOSIS >

[CVT: RE0F09B]

- YES >> Go to TM-114, "Diagnosis Procedure".  
 NO >> GO TO 2.

2. CHECK CVT SHIFT LOCK OPERATION

Attempt to shift selector lever to any other position with brake pedal depressed.

Can the selector lever be shifted to any other position?

- YES >> INSPECTION END  
 NO >> Go to TM-114, "Diagnosis Procedure".

Diagnosis Procedure

INFOID:000000006191593

1. CHECK POWER SOURCE

1. Turn ignition switch OFF.
2. Disconnect fuse block (J/B) connector.
3. Turn ignition switch ON.
4. Check voltage between fuse block (J/B) connector terminal and ground.

Fuse block (J/B) connector		Ground	Voltage (Approx.)
Connector	Terminal		Battery voltage
E103	4F		

Is the inspection result normal?

- YES >> GO TO 2.  
 NO >> Check the following.
- 10A fuse [No. 3, located in fuse block (J/B)]
  - Fuse block (J/B)
  - Ignition switch

2. CHECK HARNESS BETWEEN FUSE BOLCK (J/B) AND STOP LAMP SWITCH (PART 1)

1. Turn ignition switch OFF.
2. Disconnect stop lamp switch connector.
3. Check continuity between fuse block (J/B) vehicle side harness connector terminal and stop lamp switch vehicle side harness connector terminal.

Fuse block (J/B) vehicle side harness connector		Stop lamp switch vehicle side harness connector		Continuity
Connector	Terminal	Connector	Terminal	
E103	4F	E115	3	Existed

Is the inspection result normal?

- YES >> GO TO 3.  
 NO >> Repair or replace damaged parts.

3. CHECK HARNESS BETWEEN FUSE BOLCK (J/B) AND STOP LAMP SWITCH (PART 2)

Check continuity between stop lamp switch vehicle side harness connector terminal and ground.

Stop lamp switch vehicle side harness connector		Ground	Continuity
Connector	Terminal		Not existed
E115	3		

Is the inspection result normal?

- YES >> GO TO 4.  
 NO >> Repair or replace damaged parts.

4. CHECK STOP LAMP SWITCH

Check stop lamp switch. Refer to TM-116, "Component Inspection (Stop Lamp Switch)".

Is the inspection result normal?

- YES >> GO TO 5.  
 NO >> Replace stop lamp switch. Refer to BR-18, "Exploded View".



**SHIFT LOCK SYSTEM**

< COMPONENT DIAGNOSIS >

[CVT: RE0F09B]

**5. CHECK HARNESS BETWEEN STOP LAMP SWITCH AND CONTROL DEVICE (PART 1)**

1. Disconnect control device connector.
2. Check continuity between stop lamp switch vehicle side harness connector terminal and control device vehicle side harness connector terminal.

Stop lamp switch vehicle side harness connector		Control device vehicle side harness connector		Continuity
Connector	Terminal	Connector	Terminal	
E115	4	M57	6	Existed

Is the inspection result normal?

- YES >> GO TO 6.  
 NO >> Repair or replace damaged parts.

**6. CHECK HARNESS BETWEEN STOP LAMP SWITCH AND CONTROL DEVICE (PART 2)**

Check continuity between control vehicle side harness connector terminal and ground.

Control device vehicle side harness connector		Ground	Continuity
Connector	Terminal		
M57	6		Not existed

Is the inspection result normal?

- YES >> GO TO 7.  
 NO >> Repair or replace damaged parts.

**7. CHECK GROUND CIRCUIT**

Check continuity between control device vehicle side harness connector terminal and ground.

Control device vehicle side harness connector		Ground	Continuity
Connector	Terminal		
M57	7		Existed

Is the inspection result normal?

- YES >> GO TO 8.  
 NO >> Repair or replace damaged parts.

**8. CHECK CONTROL DEVICE**

1. Shift selector lever to "P" position.
2. Check continuity between control device connector terminals.

Control device connector			Continuity
Connector	Terminal		
M57	6	7	Existed

Is the inspection result normal?

- YES >> GO TO 9.  
 NO >> Replace control device. Refer to TM-170, "SPORT MODE : Exploded View" (Sport mode), TM-172, "MANUAL MODE : Exploded View" (Manual mode).

**9. CHECK SHIFT LOCK SOLENOID**

1. Remove shift lock unit. Refer to TM-170, "SPORT MODE : Exploded View" (Sport mode), TM-172, "MANUAL MODE : Exploded View" (Manual mode).
2. Check shift lock solenoid. Refer to TM-116, "Component Inspection (Shift Lock Solenoid)".

Is the inspection result normal?

- YES >> INSPECTION END  
 NO >> Repair or replace damaged parts.

SHIFT LOCK SYSTEM

< COMPONENT DIAGNOSIS >

[CVT: RE0F09B]

Component Inspection (Stop Lamp Switch)

INFOID.000000006191594

1. CHECK STOP LAMP SWITCH

Check continuity between stop lamp switch connector terminals.

Stop lamp switch connector			Condition	Continuity
Connector	Terminal			
E115	3	4	Depressed brake pedal	Existed
			Released brake pedal	Not existed

Is the inspection result normal?

YES >> INSPECTION END

NO >> Replace stop lamp switch. Refer to BR-18, "Exploded View".

Component Inspection (Shift Lock Solenoid)

INFOID.000000006191595

1. CHECK SHIFT LOCK SOLENOID

Apply voltage to control device connector terminals and then check that shift lock solenoid is activated.

**CAUTION:**

Connect the fuse between the terminals when applying the voltage.

Control device connector		Condition	Status
(+) (fuse)	(-)		
Connector	Terminal		
M57	6 7	<ul style="list-style-type: none"> <li>• Park switch: ON</li> <li>• Apply 12 V direct current between terminals 6 and 7.</li> </ul>	Shift lock solenoid operates

Is the inspection result normal?

YES >> INSPECTION END

NO >> Replace shift lock unit. Refer to TM-170, "SPORT MODE : Exploded View" (Sport mode), TM-172, "MANUAL MODE : Exploded View" (Manual mode).

**SPORT MODE SWITCH**

< COMPONENT DIAGNOSIS >

[CVT: RE0F09B]

**SPORT MODE SWITCH**

**Description**

INFOID:000000006191596

- The sport mode switch is installed to the selector lever knob.
- SPORT indicator turns ON, and sport mode driving activates when pressing the sport mode switch while driving in "D" position. SPORT indicator turns OFF, and "D" position driving starts when pressing the sport mode switch while driving in the sport mode. Shifting the selector lever in any position other than "D" releases the sport mode.

**Component Function Check**

INFOID:000000006191597

**1. CHECK SPORT MODE SWITCH SIGNAL**

1. Turn ignition switch ON.
2. Select "Data Monitor" in "TRANSMISSION".
3. Check the ON/OFF operations of monitor item.

Monitor item	Condition	Status
SPORT MODE SW	While pushing sport mode switch	On
	Other conditions	Off

Is the inspection result normal?

- YES >> INSPECTION END.
- NO >> Go to TM-117, "Diagnosis Procedure".

**Diagnosis Procedure**

INFOID:000000006191598

**1. CHECK CAN COMMUNICATION CIRCUIT**

Perform "Self Diagnostic Results" in "TRANSMISSION".

Is "U1000 CAN COMM CIRCUIT" indicated?

- YES >> Check CAN communication line. Refer to TM-45, "Description".
- NO >> GO TO 2.

**2. CHECK COMBINATION METER**

Perform "Self Diagnostic Results" in "METER/M&A".

Is the inspection result normal?

- YES >> GO TO 3.
- NO >> Check DTC detected item. Refer to MWI-84, "DTC Index".

**3. CHECK SPORT MODE SWITCH**

1. Turn ignition switch OFF.
2. Disconnect control device connector.
3. Check continuity control device vehicle side harness connector.

Control device vehicle side harness connector			Condition	Continuity
Connector	Terminal			
M57	1	4	While pushing sport mode switch	Existed
			Other condition	Not existed

Is the inspection result normal?

- YES >> GO TO 4.
- NO >> Repair or replace damaged parts.

**4. CHECK GROUND CIRCUIT (PART 1)**

Check continuity between control device vehicle side harness connector terminal and ground.

**SPORT MODE SWITCH**

< COMPONENT DIAGNOSIS >

[CVT: RE0F09B]

Control device vehicle side harness connector		Ground	Continuity
Connector	Terminal		
M57	4		Existed

Is the inspection result normal?

- YES >> GO TO 5.
- NO >> Repair or replace damaged parts.

**5. CHECK HARNESS BETWEEN CVT DEVICE AND COMBINATION METER (PART 1)**

1. Disconnect combination meter connector.
2. Check continuity between control device vehicle side harness connector terminal and combination meter vehicle side harness connector terminal.

Control device vehicle side harness connector		Combination meter vehicle side harness connector		Continuity
Connector	Terminal	Connector	Terminal	
M57	1	M34	32	Existed

Is the inspection result normal?

- YES >> GO TO 6.
- NO >> Repair or replace damaged parts.

**6. CHECK HARNESS BETWEEN CVT DEVICE AND COMBINATION METER (STEP 2)**

Check continuity between control device vehicle side harness connector terminal and ground.

Control device vehicle side harness connector		Ground	Continuity
Connector	Terminal		
M57	1		Not existed

Is the inspection result normal?

- YES >> GO TO 7.
- NO >> Repair or replace damaged parts.

**7. DETECT MALFUNCTIONING ITEMS**

Check TCM connector pin terminals for damage or loose connection with harness connector.

Is the inspection result normal?

- YES >> Replace TCM. Refer to TM-168, "Exploded View".
- NO >> Repair or replace damaged parts.

## TCM

[CVT: RE0F09B]

&lt; ECU DIAGNOSIS &gt;

## ECU DIAGNOSIS

## TCM

## Reference Value

INFOID:000000006191599

## VALUES ON THE DIAGNOSIS TOOL

Item name	Condition	Display value (Approx.)
VSP SENSOR	During driving	Approximately matches the speedometer reading.
ESTM VSP SIG	During driving	Approximately matches the speedometer reading.
PRI SPEED SEN	During driving (lock-up ON)	Approximately matches the engine speed.
ENG SPEED SIG	Engine running	Closely matches the tachometer reading.
SEC HYDR SEN	"N" position idle	0.5 – 0.8 V
PRI HYDR SEN	"N" position idle	0.7 – 3.5 V
ATFTEMP COUNT*1	When CVT fluid temperature is 20°C (68°F).	47
	When CVT fluid temperature is 80°C (176°F).	161
VIGN SEN	Ignition switch: ON	Battery voltage
VEHICLE SPEED	During driving	Approximately matches the speedometer reading.
PRI SPEED	During driving (lock-up ON)	Approximately matches the engine speed.
SEC SPEED	During driving	40 X Approximately matches the speedometer reading.
ENG SPEED	Engine running	Closely matches the tachometer reading.
GEAR RATIO	During driving	2.37 – 0.43
ACC PEDAL OPEN	Released accelerator pedal - Fully depressed accelerator pedal	0.0/8 – 8.0/8
SEC PRESS	"N" position idle	0.5 – 0.9 MPa
PRI PRESS	"N" position idle	0.3 – 0.9 MPa
STM STEP	During driving	-20 step – 190 step
ISOLT1	Lock-up OFF	0.0 A
	Lock-up ON	0.7 A
ISOLT2	Release your foot from the accelerator pedal.	0.8 A
	Press the accelerator pedal all the way down.	0.0 A
ISOLT3	Secondary pressure low - Secondary pressure high.	0.8 – 0.0 A
SOLMON1	Lock-up OFF	0.0 A
	Lock-up ON	0.6 – 0.7 A
SOLMON2	"N" position idle	0.8 A
	When stalled	0.3 – 0.6 A
SOLMON3	"N" position idle	0.6 – 0.7 A
	When stalled	0.4 – 0.6 A
INH SW3M	Selector lever in "D" and "L" <sup>2</sup> positions	On
	Selector lever in "P", "R" and "N" positions	Off
INH SW4	Selector lever in "R" and "D" positions	On
	Selector lever in "P", "N" and "L" <sup>2</sup> positions	Off

## TCM

&lt; ECU DIAGNOSIS &gt;

[CVT: RE0F09B]

Item name	Condition	Display value (Approx.)
INH SW3	Selector lever in "D" and "L" <sup>2</sup> positions	On
	Selector lever in "P", "R" and "N" positions	Off
INH SW2	Selector lever in "N", "D" and "L" <sup>2</sup> positions	On
	Selector lever in "P" and "R" positions	Off
INH SW1	Selector lever in "R", "N" and "D" positions	On
	Selector lever in "P" and "L" <sup>2</sup> positions	Off
BRAKE SW	Depressed brake pedal	On
	Released brake pedal	Off
FULL SW	Fully depressed accelerator pedal	On
	Released accelerator pedal	Off
IDLE SW	Released accelerator pedal	On
	Fully depressed accelerator pedal	Off
SPORT MODE SW <sup>2</sup>	While pushing sport mode switch	On
	Other than the above	Off
DOWNLVR <sup>3</sup>	Selector lever: DOWN (- side)	On
	Other than the above	Off
UPLVR <sup>3</sup>	Selector lever: UP (+ side)	On
	Other than the above	Off
NONMMODE <sup>3</sup>	Manual shift gate position	Off
	Other than the above	On
MMODE <sup>3</sup>	Manual shift gate position (neutral)	On
	Other than the above	Off
INDLRNG <sup>2</sup>	Selector lever in "L" position	On
	Selector lever in other positions	Off
INDRRNG	Selector lever in "D" position	On
	Selector lever in other positions	Off
INDNRNG	Selector lever in "N" position	On
	Selector lever in other positions	Off
INDRRNG	Selector lever in "R" position	On
	Selector lever in other positions	Off
INDPRNG	Selector lever in "P" position	On
	Selector lever in other positions	Off
SPORT MODE IND <sup>2</sup>	When sport mode	On
	Other conditions	Off
MMODE IND <sup>3</sup>	When manual mode	On
	Other conditions	Off
SMCOIL D	During driving	Changes ON ⇔ OFF.
SMCOIL C	During driving	Changes ON ⇔ OFF.
SMCOIL B	During driving	Changes ON ⇔ OFF.
SMCOIL A	During driving	Changes ON ⇔ OFF.
LUSEL SOL OUT	Selector lever in "P" and "N" positions	On
	Wait at least for 5 seconds with the selector lever in "R", "D" and "L" <sup>2</sup> positions	Off



TCM

[CVT: RE0F09B]

< ECU DIAGNOSIS >

Item name	Condition	Display value (Approx.)
LUSEL SOL MON	Selector lever in "P" and "N" positions	On
	Wait at least for 5 seconds with the selector lever in "R", "D" and "L" <sup>2</sup> positions	Off
STRTR RLY OUT	Selector lever in "P" and "N" positions	On
	Selector lever in other positions	Off
STRTR RLY MON	Selector lever in "P" and "N" positions	On
	Selector lever in other positions	Off
VDC ON	VDC operate	On
	Other conditions	Off
TCS ON	TCS operate	On
	Other conditions	Off
ABS ON	ABS operate	On
	Other conditions	Off
M GEAR POS	During driving	1, 2, 3, 4, 5, 6
RANGE	Selector lever in "N" and "P" positions	N-P
	Selector lever in "R" position	R
	Selector lever in "D" position	D

\*1 Means CVT fluid temperature. Actual oil temperature °C (°F) cannot be checked unless a numeric value is converted. Refer to TM-152. "ATFTMP COUNT Conversion Table".

\*2: Sport mode

\*3: Manual mode

شرکت دیجیتال خودرو سامانه (TERMINAL LAYOUT)

اولین سامانه دیجیتال تعمیرکاران خودرو ایران



PHYSICAL VALUES

TCM

< ECU DIAGNOSIS >

[CVT: RE0F09B]

Terminal No. (Wire color)		Description		Condition	Value (Approx.)	
+	-	Signal name	Input/Output			
1 (P/B)	Ground	PNP switch 2	Input	Ignition switch ON	Selector lever in "N", "D" and "L" <sup>n</sup> 1 positions	0 V
					Selector lever in other positions	10.0 V – Battery voltage
2 (P/L)	Ground	PNP switch 3	Input		Selector lever in "D" and "L" <sup>n</sup> 1 positions	0 V
					Selector lever in other positions	10.0 V – Battery voltage
3 (G/O)	Ground	PNP switch 4	Input		Selector lever in "R" and "D" positions	0 V
					Selector lever in other positions	10.0 V – Battery voltage
4 (GR)	Ground	PNP switch 3 (monitor)	Input		Selector lever in "D" and "L" <sup>n</sup> 1 positions	0 V
					Selector lever in other positions	10.0 V – Battery voltage
5 (B)	Ground	Ground	Output		Always	0 V
7 (W)	Ground	Sensor ground	Output		Always	0 V
8 (G/W)	—	CLOCK (SEL2)	—	—	—	
9 (L/R)	—	CHIP SELECT (SEL1)	—	—	—	
10 (BR/R)	—	DATA I/O (SEL3)	—	—	—	
11 (BR/W)	Ground	PNP switch 1	Input	Ignition switch ON	Selector lever in "R", "N" and "D" positions	0 V
					Selector lever in other positions	Battery voltage
13 (V)	Ground	CVT fluid temperature sensor	Input	Ignition switch ON	When CVT fluid temperature is 20°C (68°F)	1.9 – 2.2 V
					When CVT fluid temperature is 80°C (176°F)	0.8 – 1.1 V
14 (R/W)	Ground	Transmission fluid pressure sensor B (Primary pressure sensor)	Input	"N" position idle	0.5 – 0.8 V	
15 (V/W)	Ground	Transmission fluid pressure sensor A (Secondary pressure sensor)	Input		1.0 – 1.5 V	
19 (G/B)	Ground	Reverse lamp relay	Output	Ignition switch ON	Selector lever in "R" position	0 V
					Selector lever in other positions	Battery voltage
20 (R/B)	Ground	Starter relay	Output	Ignition switch ON	Selector lever in "N" and "P" positions	Battery voltage
					Selector lever in other positions	0 V

TCM

[CVT: RE0F09B]

< ECU DIAGNOSIS >

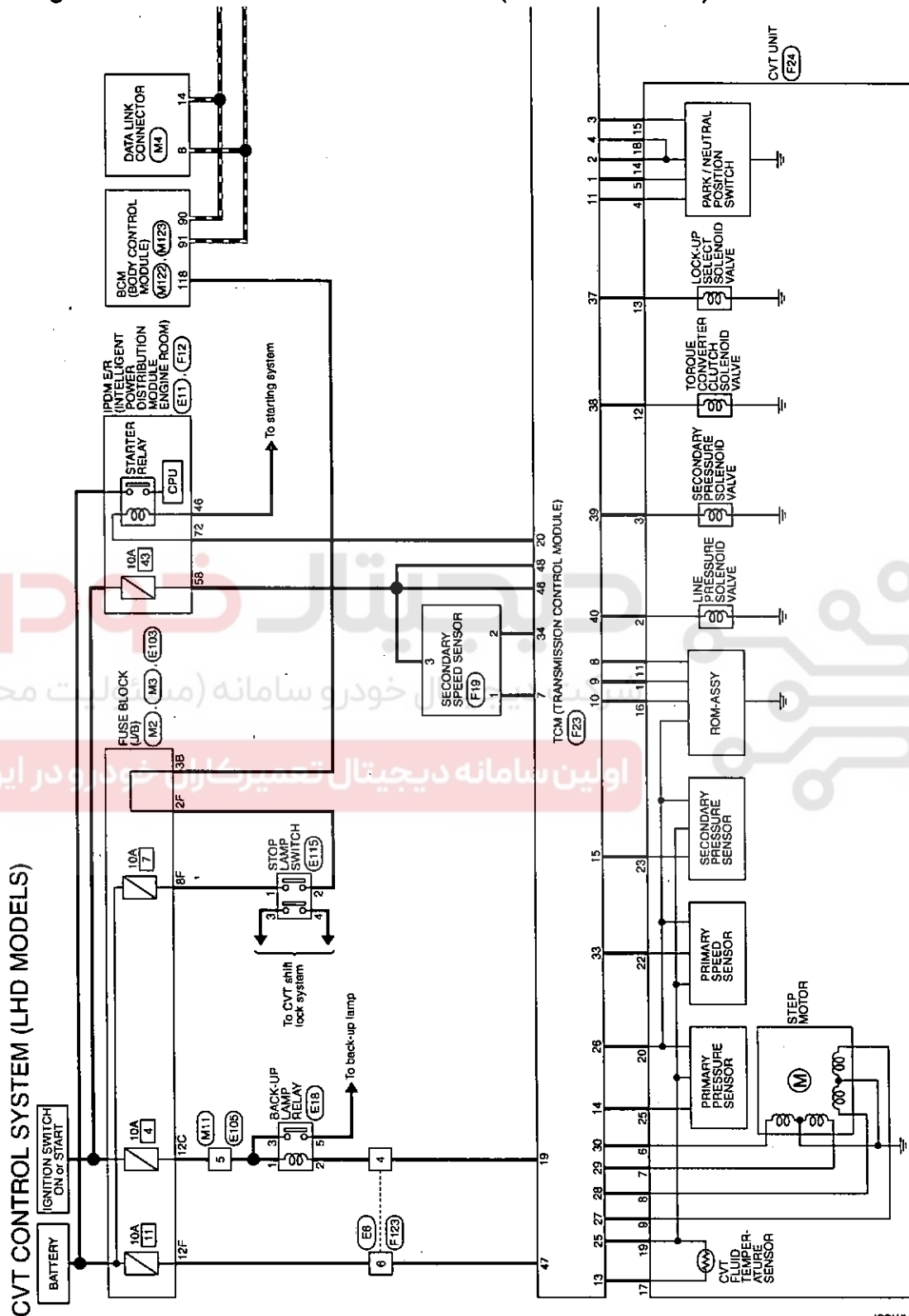
Terminal No. (Wire color)		Description		Condition		Value (Approx.)
+	-	Signal name	Input/Output			
25 (W/R)	Ground	Sensor ground	Output	Always		0 V
26 (L/O)	Ground	Sensor power	Output	Ignition switch ON	—	4.75 – 5.25 V
				Ignition switch OFF	—	0 V
27 (R/G)	Ground	Step motor D	Output	Within 2 seconds after ignition switch ON, the time measurement by using the pulse width measurement function (Hi level) of CONSULT-III.*2 <b>CAUTION:</b> Connect the diagnosis data link cable to the vehicle diagnosis connector.		10.0 msec
28 (R)	Ground	Step motor C	Output			30.0 msec
29 (O/B)	Ground	Step motor B	Output			10.0 msec
30 (G/R)	Ground	Step motor A	Output			30.0 msec
31 (P)	—	CAN-L	Input/Output	—		—
32 (L)	—	CAN-H	Input/Output	—		—
33 (LG)	Ground	Input speed sensor (Primary speed sensor)	Input	Sport mode	When driving ["L" position, 20 km/h (12 MPH)]	680 Hz
				Manual mode	When driving ["M1" position, 20 km/h (12 MPH)]	600 Hz
34 (LG/R)	Ground	Output speed sensor (Secondary speed sensor)	Input	When driving ["D" position, 20 km/h (12 MPH)]		350 Hz
37 (V/R)	Ground	Lock-up select solenoid valve	Output	Ignition switch ON	Selector lever in "P" and "N" positions	Battery voltage
					Wait at least for 5 seconds with the selector lever in "R", "D" and "L"*1 positions.	0 V
38 (L/W)	Ground	Torque converter clutch solenoid valve	Output	When vehicle drive in "D" position	When CVT performs lock-up	6.0 V
					When CVT does not perform lock-up	1.0 V
39 (W/B)	Ground	Pressure control solenoid valve B (Secondary pressure solenoid valve)	Output	"N" positions idle	Release your foot from the accelerator pedal.	5.0 – 7.0 V
					Press the accelerator pedal all the way down.	3.0 – 4.0 V
40 (R/Y)	Ground	Pressure control solenoid valve A (Line pressure solenoid valve)	Output		Release your foot from the accelerator pedal.	5.0 – 7.0 V
					Press the accelerator pedal all the way down.	1.0 – 3.0 V
42 (B)	Ground	Ground	Output	Always		0 V
46 (Y)	Ground	Power supply	Output	Ignition switch ON	—	Battery voltage
				Ignition switch OFF	—	0 V
47 (L/R)	Ground	Power supply (memory back-up)	Input	Always		Battery voltage
48 (Y)	Ground	Power supply	Output	Ignition switch ON	—	Battery voltage
				Ignition switch OFF	—	0 V

\*1: Sport mode

\*2: A circuit tester cannot be used to test this item.

Wiring Diagram - CVT CONTROL SYSTEM (LHD MODELS) -

INFOID:000000006191600



2008/09/30

JCDWM0494GB

TCM

< ECU DIAGNOSIS >

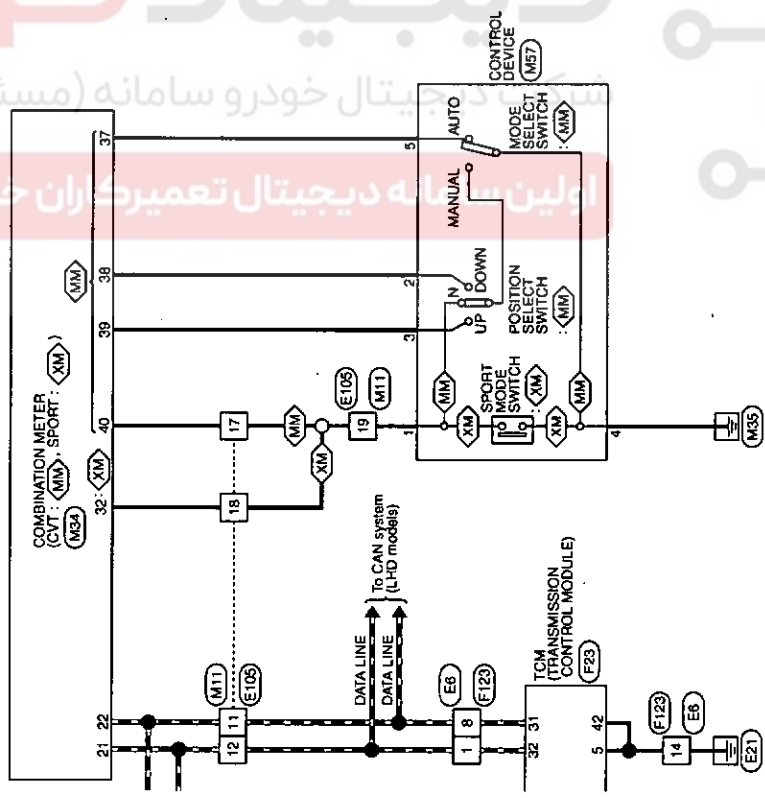
[CVT: RE0F09B]

A  
B  
C  
TM  
E  
F  
G  
H  
I  
J  
K  
L  
M  
N  
O  
P

دیجیتال خودرو  
اولین سامانه دیجیتال تعمیرکاران خودرو در ایران  
(مسئولیت محدود)



MM : With manual mode  
XM : Without manual mode



JCDWM0485GB

CVT CONTROL SYSTEM (LHD MODELS)

Connector No.	E8
Connector Name	WIRE TO WIRE
Connector Type	TRIMBY-1V



Terminal No.	Color of Wire	Signal Name [Specification]
1	L	-
2	R	-
3	V	-
4	P	-
5	B	-
6	L	-
7	L	-
8	L	-
9	L	-
10	L	-
11	L	-
12	L	-
13	L	-
14	L	-
15	L	-
16	L	-

Connector No.	E11
Connector Name	IPDM E/R (INTELLIGENT POWER DISTRIBUTION MODULE ENGINE ROOM)
Connector Type	THBPPW-NH



Terminal No.	Color of Wire	Signal Name [Specification]
46	BR	-

Connector No.	E18
Connector Name	BACK-UP LAMP RELAY
Connector Type	MS02FL-N2-LC



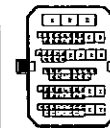
Terminal No.	Color of Wire	Signal Name [Specification]
1	LG	-
2	R	-
3	LG	-
5	R	-

Connector No.	E10J
Connector Name	FUSE BLOCK (J/B)
Connector Type	INS18PW-CS



Terminal No.	Color of Wire	Signal Name [Specification]
2F	LG	-
6F	R	-
12F	V	-

Connector No.	E106
Connector Name	WIRE TO WIRE
Connector Type	TH10WW-CS1D-A3



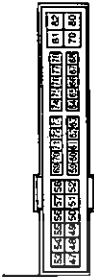
Terminal No.	Color of Wire	Signal Name [Specification]
5	LG	-
11	P	-
12	L	-
17	LG	-
18	LG	-
19	LG	-

Connector No.	E113
Connector Name	STOP LAMP SWITCH
Connector Type	MDRFPW-LC



Terminal No.	Color of Wire	Signal Name [Specification]
1	R	-
2	LG	-
3	G	-
4	Y	-

Connector No.	E12
Connector Name	IPDM E/R (INTELLIGENT POWER DISTRIBUTION MODULE ENGINE ROOM)
Connector Type	TH20PW-CS12-N4



Terminal No.	Color of Wire	Signal Name [Specification]
59	Y	-
72	R/B	-

Connector No.	F19
Connector Name	SECONDARY SPEED SENSOR
Connector Type	FR03FFB



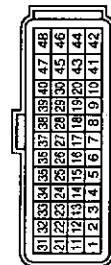
Terminal No.	Color of Wire	Signal Name [Specification]
1	W	-
2	LG/R	-
3	V	-

JCDWM0496GB



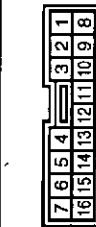
CVT CONTROL SYSTEM (LHD MODELS)

Connector No.	F23
Connector Name	TCM (TRANSMISSION CONTROL MODULE)
Connector Type	RH40FB-R28-L-184



Terminal No.	Color of Wire	Signal Name [Specification]
1	P/B	INH SW 2
2	P/L	INH SW 3
3	E/O	INH SW 4
4	GR	INH SW 3 MON
5	B	GND
7	W	SENSOR GND
8	O/W	LOCK (SEL2)
9	L/R	CHP SELECT (SEL1)
10	BR/R	DATA I/O (SEL3)
11	BR/W	INH SW 1
13	V	ATF TEMP SENSOR

Connector No.	F123
Connector Name	WIRE TO WIRE
Connector Type	TR18FCY-1V



Terminal No.	Color of Wire	Signal Name [Specification]
1	L	-
4	O/B	-
8	L/R	-
8	P	-
14	B	-

14	R/W	PRI PRESS SENSOR
15	V/W	SEC PRESS SENSOR
19	G/B	REV LAMP RELAY
20	R/B	STARTER RELAY
25	W/R	SENSOR GND
26	L/O	SENSOR POWER SOURCE (SV)
27	R/G	S/M-D
28	R	S/M-C
29	O/B	S/M-B
30	G/R	S/M-A
31	P	CAN-L
32	L	CAN-H
33	LG	PRI SPEED SENSOR
34	GR	SEC SPEED SENSOR
37	V/R	L/USSEL-ON/OFF SOL
38	L/W	L/USSEL LINEAR SOL
39	W/B	SEC LINEAR SOL
40	R/Y	PL LINEAR SOL
42	B	GND
46	Y	VIGN
47	L/R	BATT
48	Y	VIGN

Connector No.	F24
Connector Name	CVT UNIT
Connector Type	RK22FCY



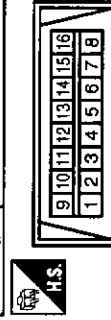
Terminal No.	Color of Wire	Signal Name [Specification]
1	L/R	-
2	R/Y	-
3	W/B	-
4	BR/W	-
5	P/B	-
6	G/R	-
7	O/B	-
8	R	-
9	R/O	-
11	G/W	-
12	L/W	-

Connector No.	M4
Connector Name	FUSE BLOCK (J/B)
Connector Type	MS12PW-CS



Terminal No.	Color of Wire	Signal Name [Specification]
12C	D	-

Connector No.	M4
Connector Name	DATA LINK CONNECTOR
Connector Type	BD18FW



Terminal No.	Color of Wire	Signal Name [Specification]
B	L	-
14	P	-

JCDWM0497GB

A B C D E F G H I J K L M N O P

CVT CONTROL SYSTEM (LHD MODELS)

Connector No.	M11
Connector Name	WIRE TO WIRE
Connector Type	TH40FH-CS10-M3



Terminal No.	Color of Wire	Signal Name [Specification]
5	O	-
11	P	-
13	L	-
17	LG	-
18	LG	-
19	LG	-

Connector No.	M34
Connector Name	COMBINATION METER
Connector Type	TH40FW-MH



Terminal No.	Color of Wire	Signal Name [Specification]
21	L	CAN-H
22	P	CAN-L
32	LG	SPORT MODE SWITCH SIGNAL
37	R	NOT MANUAL MODE SIGNAL
38	BR	MANUAL MODE SHIFT DOWN SIGNAL
39	W	MANUAL MODE SHIFT UP SIGNAL
40	LG	MANUAL MODE SIGNAL

Connector No.	M37
Connector Name	CONTROL DEVICE
Connector Type	TH10RW



Terminal No.	Color of Wire	Signal Name [Specification]
1	LG	-
2	BR	-
3	W	-
4	B	-
5	R	-

Connector No.	M122
Connector Name	BCM (BODY CONTROL MODULE)
Connector Type	TH40FB-MH

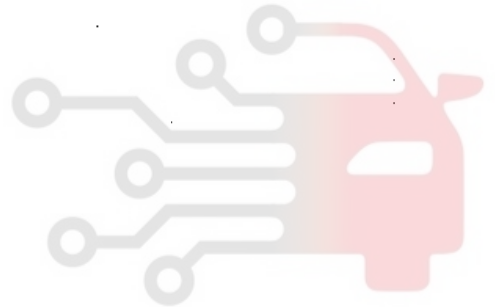


Terminal No.	Color of Wire	Signal Name [Specification]
50	P	CAN-L
51	L	CAN-H

Connector No.	M123
Connector Name	BCM (BODY CONTROL MODULE)
Connector Type	TH40FG-MH

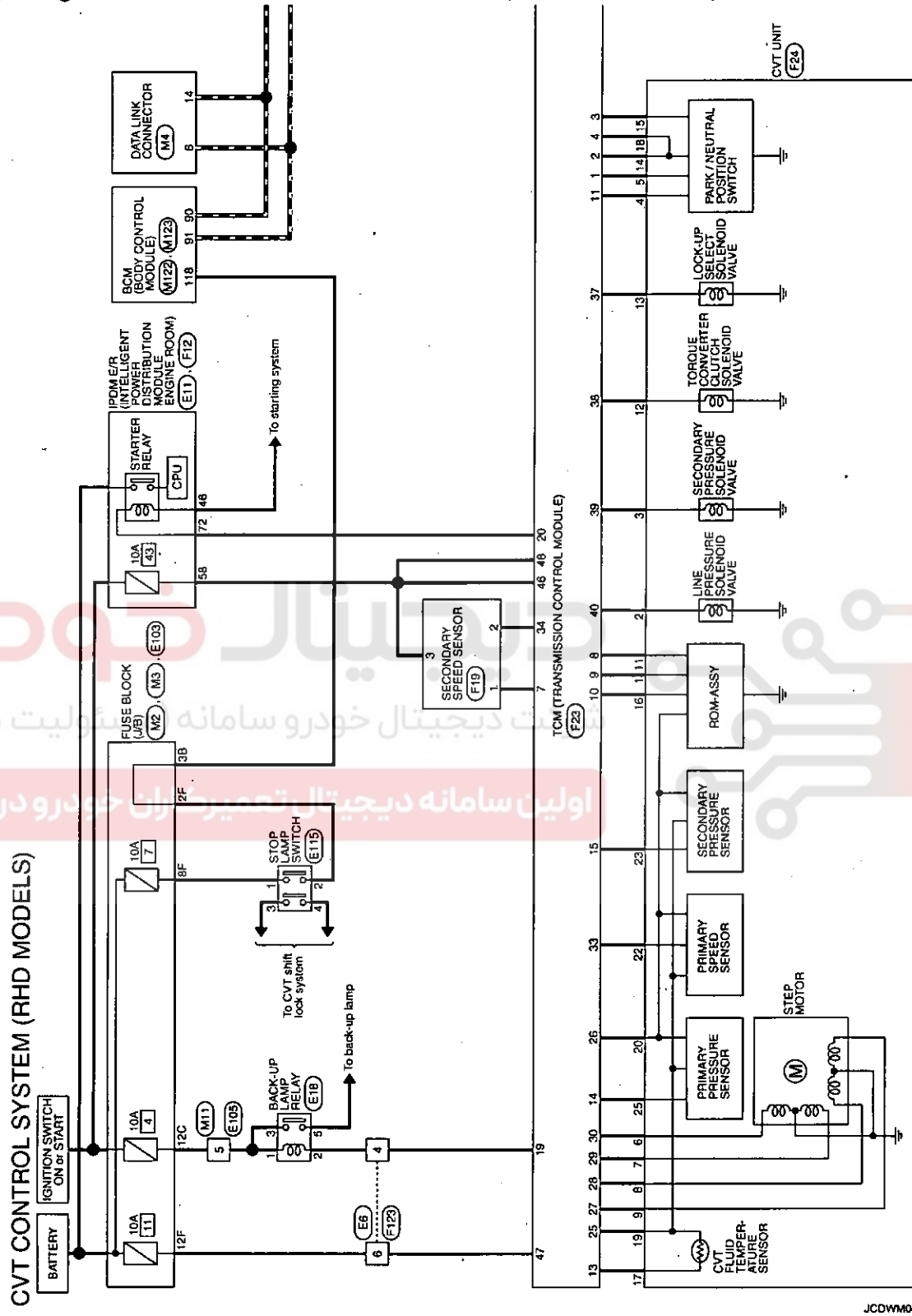


Terminal No.	Color of Wire	Signal Name [Specification]
118	L	STOP LAMP SW 2



Wiring Diagram - CVT CONTROL SYSTEM (RHD MODELS) -

INFOID:000000006191601



2008/09/30

JCDWM0499GB

A  
B  
C  
TM  
E  
F  
G  
H  
I  
J  
K  
L  
M  
N  
O  
P

TCM

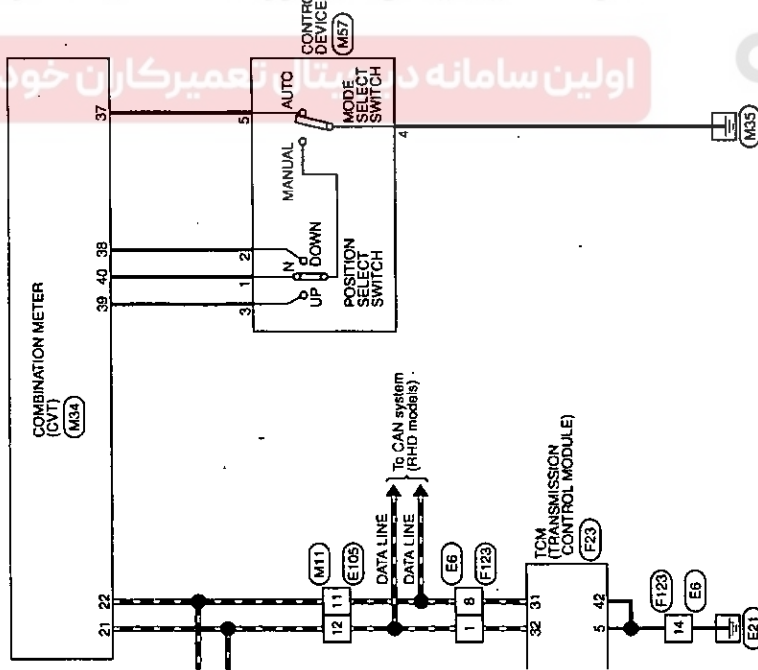
< ECU DIAGNOSIS >

[CVT: RE0F09B]

دیجیتال خودرو

شرکت دیجیتال خودرو سامانه (مسئولیت محدود)







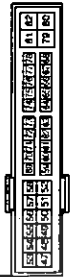

اولین سامانه دستیار تعمیرکاران خودرو در ایران



JCDWM0500GB

< ECU DIAGNOSIS >

CVT CONTROL SYSTEM (RHD MODELS)

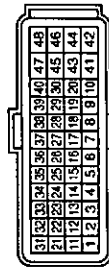
<p>Connector No. E105</p> <p>Connector Name WIRE TO WIRE</p> <p>Connector Type TRIDAMP-CSD-M3</p> 	<p>Terminal No. Color of Wire Signal Name [Specification]</p> <table border="1"> <tr><td>1</td><td>L</td><td>-</td></tr> <tr><td>4</td><td>R</td><td>-</td></tr> <tr><td>6</td><td>V</td><td>-</td></tr> <tr><td>8</td><td>P</td><td>-</td></tr> <tr><td>14</td><td>B</td><td>-</td></tr> </table>	1	L	-	4	R	-	6	V	-	8	P	-	14	B	-
1	L	-														
4	R	-														
6	V	-														
8	P	-														
14	B	-														
<p>Connector No. E11</p> <p>Connector Name SPDM E/R (INTELLIGENT POWER DISTRIBUTION MODULE ENGINE ROOM)</p> <p>Connector Type TRDSFW-NH</p> 	<p>Terminal No. Color of Wire Signal Name [Specification]</p> <table border="1"> <tr><td>48</td><td>BR</td><td>-</td></tr> </table>	48	BR	-												
48	BR	-														
<p>Connector No. E18</p> <p>Connector Name BACK-UP LAMP RELAY</p> <p>Connector Type MS02FL-M2-LC</p> 	<p>Terminal No. Color of Wire Signal Name [Specification]</p> <table border="1"> <tr><td>1</td><td>LG</td><td>-</td></tr> <tr><td>2</td><td>R</td><td>-</td></tr> <tr><td>3</td><td>LG</td><td>-</td></tr> <tr><td>5</td><td>R</td><td>-</td></tr> </table>	1	LG	-	2	R	-	3	LG	-	5	R	-			
1	LG	-														
2	R	-														
3	LG	-														
5	R	-														
<p>Connector No. E103</p> <p>Connector Name FUSE BLOCK (J/B)</p> <p>Connector Type NS18FW-G3</p> 	<p>Terminal No. Color of Wire Signal Name [Specification]</p> <table border="1"> <tr><td>7F</td><td>LG</td><td>-</td></tr> <tr><td>2F</td><td>LG</td><td>-</td></tr> <tr><td>8F</td><td>R</td><td>-</td></tr> <tr><td>12F</td><td>V</td><td>-</td></tr> </table>	7F	LG	-	2F	LG	-	8F	R	-	12F	V	-			
7F	LG	-														
2F	LG	-														
8F	R	-														
12F	V	-														
<p>Connector No. E108</p> <p>Connector Name WIRE TO WIRE</p> <p>Connector Type TRIDAMP-CSD-M3</p> 	<p>Terminal No. Color of Wire Signal Name [Specification]</p> <table border="1"> <tr><td>5</td><td>LG</td><td>-</td></tr> <tr><td>11</td><td>P</td><td>-</td></tr> <tr><td>12</td><td>L</td><td>-</td></tr> </table>	5	LG	-	11	P	-	12	L	-						
5	LG	-														
11	P	-														
12	L	-														
<p>Connector No. E115</p> <p>Connector Name STOP LAMP SWITCH</p> <p>Connector Type M08FW-LC</p> 	<p>Terminal No. Color of Wire Signal Name [Specification]</p> <table border="1"> <tr><td>1</td><td>R</td><td>-</td></tr> <tr><td>2</td><td>LD</td><td>-</td></tr> <tr><td>3</td><td>O</td><td>-</td></tr> <tr><td>4</td><td>Y</td><td>-</td></tr> </table>	1	R	-	2	LD	-	3	O	-	4	Y	-			
1	R	-														
2	LD	-														
3	O	-														
4	Y	-														
<p>Connector No. E12</p> <p>Connector Name WPSM E/R (INTELLIGENT POWER DISTRIBUTION MODULE ENGINE ROOM)</p> <p>Connector Type TRD2FW-CST-M4</p> 	<p>Terminal No. Color of Wire Signal Name [Specification]</p> <table border="1"> <tr><td>68</td><td>Y</td><td>-</td></tr> <tr><td>72</td><td>R/B</td><td>-</td></tr> </table>	68	Y	-	72	R/B	-									
68	Y	-														
72	R/B	-														
<p>Connector No. E19</p> <p>Connector Name SECONDARY SPEED SENSOR</p> <p>Connector Type R030PE</p> 	<p>Terminal No. Color of Wire Signal Name [Specification]</p> <table border="1"> <tr><td>1</td><td>W</td><td>-</td></tr> <tr><td>2</td><td>LG/R</td><td>-</td></tr> <tr><td>3</td><td>Y</td><td>-</td></tr> </table>	1	W	-	2	LG/R	-	3	Y	-						
1	W	-														
2	LG/R	-														
3	Y	-														

JCDWM0501GB

A  
B  
C  
TM  
E  
F  
G  
H  
I  
J  
K  
L  
M  
N  
O  
P

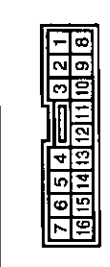
CVT CONTROL SYSTEM (RHD MODELS)

Connector No.	F23
Connector Name	TCM (TRANSMISSION CONTROL MODULE)
Connector Type	1840B3-92B-L-R



Terminal No.	Color of Wire	Signal Name [Specification]
1	P/B	INH SW 2
2	P/L	INH SW 3
3	G/O	INH SW 4
4	GR	INH SW 3 MON
5	B	GND
6	W	SENSOR GND
7	G/W	CLOCK (SEL2)
8	L/R	CHIP SELECT (SEL1)
9	L/R	DATA I/O (SEL1)
10	BR/R	DATA I/O (SEL3)
11	BR/W	INH SW 1
13	V	ATF TEMP SENSOR

Connector No.	F123
Connector Name	WIRE TO WIRE
Connector Type	TK18FCY-1V



Terminal No.	Color of Wire	Signal Name [Specification]
1	L	-
4	G/B	-
6	L/R	-
8	P	-
14	B	-

14	R/W	PR1 PRESS SENSOR
15	V/W	SEC PRESS SENSOR
18	G/B	REV LAMP RELAY
20	R/B	STARTER RELAY
21	W/R	SENSOR GND
25	L/O	SENSOR POWER SOURCE (P1)
27	P/G	S/W-D
28	R	S/W-C
29	D/B	S/W-B
30	O/R	S/W-A
31	P	GAN-L
32	L	GAN-H
33	L/G	PR1 SPEED SENSOR
34	L/G/R	SEC SPEED SENSOR
37	V/R	L/UNSEL-ON/OFF SOL
38	L/W	L/UNSEL LINEAR SOL
39	R/Y	SEC LINEAR SOL
40	R/Y	PL LINEAR SOL
42	B	GND
43	V	WGN
44	V	BAIT
47	L/R	VIGN
48	Y	-



Terminal No.	Color of Wire	Signal Name [Specification]
1	L/R	-
2	R/Y	-
3	W/B	-
4	BR/W	-
5	P/B	-
6	G/B	-
7	O/B	-
8	B	-
11	O/W	-
12	L/W	-

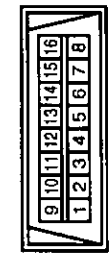
Connector No.	M0
Connector Name	FUSE BLOCK (J/B)
Connector Type	INS12FW-CS



Terminal No.	Color of Wire	Signal Name [Specification]
12C	O	-

13	V/R	-
14	P/L	-
15	G/O	-
18	BR/R	-
17	V	-
18	GR	-
19	W/R	-
20	L/O	-
22	L/O	-
23	V/W	-
25	R/W	-

Connector No.	M4
Connector Name	DATA LINK CONNECTOR
Connector Type	BD16FW

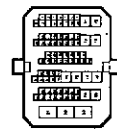


Terminal No.	Color of Wire	Signal Name [Specification]
6	L	-
14	P	-



CVT CONTROL SYSTEM (RHD MODELS)

Connector No.	M11
Connector Name	WIRE TO WIRE
Connector Type	T17DFV-GS(D-M3)



Terminal No.	Color of Wire	Signal Name [Specification]
5	O	-
11	P	-
12	L	-

Connector No.	M12D
Connector Name	BCM (BODY CONTROL MODULE)
Connector Type	T14MFC-NH



Terminal No.	Color of Wire	Signal Name [Specification]
118	L	STOP LAMP SW 2

Connector No.	M34
Connector Name	COMBINATION METER
Connector Type	T14MFC-NH



Terminal No.	Color of Wire	Signal Name [Specification]
21	L	CAN-H
22	P	CAN-L
37	R	NOT MANUAL MODE SIGNAL
38	BR	MANUAL MODE SHIFT DOWN SIGNAL
39	W	MANUAL MODE SHIFT UP SIGNAL
40	LG	MANUAL MODE SIGNAL

Connector No.	M37
Connector Name	CONTROL DEVICE
Connector Type	T14DFW

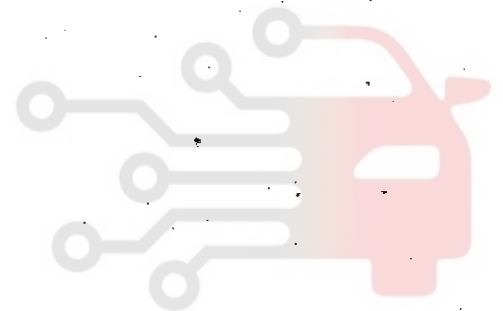
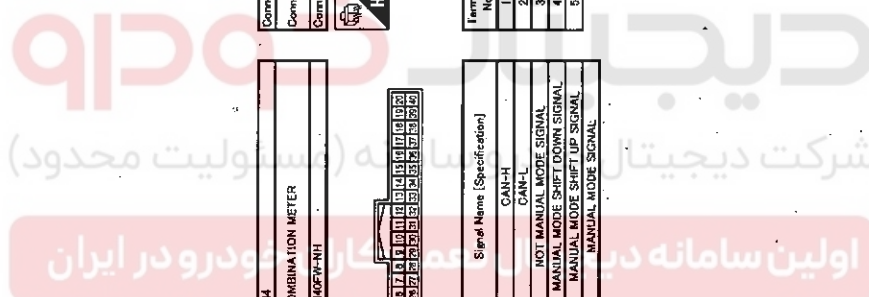


Terminal No.	Color of Wire	Signal Name [Specification]
1	LG	-
2	BR	-
3	W	-
4	B	-
5	R	-

Connector No.	M122
Connector Name	BCM (BODY CONTROL MODULE)
Connector Type	T14MFC-NH



Terminal No.	Color of Wire	Signal Name [Specification]
80	P	CAN-L
91	L	CAN-H



JCDWM0503GB

INFOID:000000006191602

Fail-safe

The TCM has an electrical fail-safe mode. In this mode TCM operates even if there is an error in a main electronic control input/output signal circuit.

FAIL-SAFE FUNCTION

If any malfunction occurs in a sensor or solenoid valve, this function controls the CVT to make driving possible.

A  
B  
C  
TM  
E  
F  
G  
H  
I  
J  
K  
L  
M  
N  
O  
P

## TCM

## &lt; ECU DIAGNOSIS &gt;

[CVT: RE0F09B]

**Output Speed Sensor (Secondary Speed Sensor)**

The shift pattern is changed in accordance with the throttle position when an unexpected signal is sent from the output speed sensor (secondary speed sensor) to the TCM. The sport mode and manual mode are inhibited, and the transaxle is put in "D".

**Input Speed Sensor (Primary Speed Sensor)**

The shift pattern is changed in accordance with the throttle position and secondary speed (vehicle speed) when an unexpected signal is sent from the input speed sensor (primary speed sensor) to the TCM. The sport mode and manual mode are inhibited, and the transaxle is put in "D".

**PNP Switch**

If an unexpected signal is sent from the PNP switch to the TCM, the transaxle is put in "D".

**CVT Fluid Temperature Sensor**

If an unexpected signal is sent from the CVT fluid temperature sensor to the TCM, the gear ratio in use before receiving the unexpected signal is maintained or the gear ratio is controlled to keep engine speed under 5,000 rpm.

**Transmission Fluid Pressure Sensor A (Secondary Pressure Sensor)**

- If an unexpected signal is sent from the transmission fluid pressure sensor A (secondary pressure sensor) to the TCM, the secondary pressure feedback control is stopped and the offset value obtained before the non-standard condition occurs is used to control line pressure.
- If transmission fluid pressure sensor A (secondary pressure sensor) error signal is inputted to the TCM, secondary pressure feedback control stops, but line pressure is controlled normally.

**Pressure Control Solenoid A (Line Pressure Solenoid Valve)**

If an unexpected signal is sent from the solenoid valve to the TCM, the pressure control solenoid A (line pressure solenoid valve) is turned OFF to achieve the maximum fluid pressure.

**Pressure Control Solenoid B (Secondary Pressure Solenoid Valve)**

If an unexpected signal is sent from the solenoid valve to the TCM, the pressure control solenoid B (secondary pressure solenoid valve) is turned OFF to achieve the maximum fluid pressure.

**Torque Converter Clutch Solenoid Valve**

If an unexpected signal is sent from the solenoid valve to the TCM, the torque converter clutch solenoid valve is turned OFF to cancel the lock-up.

**Step Motor**

If an unexpected signal is sent from the step motor to the TCM, the step motor coil phases "A" through "D" are all turned OFF to hold the gear ratio used just before the non-standard condition occurred.

**CVT Lock-up Select Solenoid Valve**

If an unexpected signal is sent from the solenoid valve to the TCM, the CVT lock-up select solenoid valve is turned OFF to cancel the lock-up.

**TCM Power Supply (Memory Back-up)**

Transaxle assembly is protected by limiting the engine torque when the memory back-up power supply (for controlling) from the battery is not supplied to the TCM. Normal status is restored when turning the ignition switch OFF to ON after the normal power supply.

**DTC Inspection Priority Chart**

INFOID:000000006191603

If some DTCs are displayed at the same time, perform inspections one by one based on the following priority chart.

**NOTE:**

If DTC "U1000 CAN COMM CIRCUIT" is indicated with other DTCs, start from a diagnosis for "DTC U1000 CAN COMMUNICATION LINE". Refer to [TM-45](#).

Priority	Detected items (DTC)
1	U1000 CAN communication line
2	Except above

**DTC Index**

INFOID:000000006191604

**NOTE:**

## TCM

&lt; ECU DIAGNOSIS &gt;

[CVT: RE0F09B]

If DTC "U1000 CAN COMM CIRCUIT" is indicated with other DTCs, start from a diagnosis for "DTC U1000 CAN COMMUNICATION LINE". Refer to TM-45.

DTC*1		Items (CONSULT-III screen terms)	Reference
"TRANSMISSION" with CONSULT-III	MIL*2, *3, "ENGINE" with CONSULT-III or GST		
P0615	—	STARTER RELAY/CIRC	<u>TM-46, "Description"</u>
P0703	—	BRAKE SW/CIRC	<u>TM-48, "Description"</u>
P0705	P0705	PNP SW/CIRC	<u>TM-51, "Description"</u>
P0710	P0710	ATF TEMP SEN/CIRC	<u>TM-54, "Description"</u>
P0715	P0715	INPUT SPD SEN/CIRC	<u>TM-56, "Description"</u>
P0720	P0720	VEH SPD SEN/CIR AT	<u>TM-59, "Description"</u>
P0725	—	ENGINE SPEED SIG	<u>TM-63, "Description"</u>
P0730	—	BELT DAMG	<u>TM-64, "Description"</u>
P0740	P0740	TCC SOLENOID/CIRC	<u>TM-66, "Description"</u>
P0744	P0744	A/T TCC S/V FNCTN	<u>TM-68, "Description"</u>
P0745	P0745	L/PRESS SOL/CIRC	<u>TM-70, "Description"</u>
P0746	P0746	PRS CNT SOL/A FCTN	<u>TM-72, "Description"</u>
P0776	P0776	PRS CNT SOL/B FCTN	<u>TM-74, "Description"</u>
P0778	P0778	PRS CNT SOL/B CIRC	<u>TM-76, "Description"</u>
P0826*4	—	MANUAL MODE SWITCH	<u>TM-78, "Description"</u>
P0840	P0840	TR PRS SENS/A CIRC	<u>TM-81, "Description"</u>
P0841	—	PRESS SEN/FNCTN	<u>TM-84, "Description"</u>
P0845	P0845	TR PRS SENS/B CIRC	<u>TM-87, "Description"</u>
P0868	—	SEC/PRESS DOWN	<u>TM-90, "Description"</u>
P1701	—	TCM-POWER SUPPLY	<u>TM-92, "Description"</u>
P1705	—	TP SEN/CIRC A/T	<u>TM-95, "Description"</u>
P1722	—	ESTM VEH SPD SIG	<u>TM-96, "Description"</u>
P1723	—	CVT SPD SEN/FNCTN	<u>TM-98, "Description"</u>
P1726	—	ELEC TH CONTROL	<u>TM-100, "Description"</u>
P1740	P1740	LU-SLCT SOL/CIRC	<u>TM-101, "Description"</u>
P1745	—	L/PRESS CONTROL	<u>TM-103, "Description"</u>
P1777	P1777	STEP MOTR CIRC	<u>TM-104, "Description"</u>
P1778	P1778	STEP MOTR/FNC	<u>TM-107, "Description"</u>
U1000	U1000	CAN COMM CIRCUIT	<u>TM-45, "Description"</u>

\*1: These numbers are prescribed by ISO 15031-6.

\*2: Refer to TM-39, "Diagnosis Description".

\*3: With OBD

\*4: Manual mode

SYSTEM SYMPTOM

< SYMPTOM DIAGNOSIS >

[CVT: RE0F09B]

SYMPTOM DIAGNOSIS

SYSTEM SYMPTOM

Symptom Table

INFOID:000000006191605

The diagnostics item numbers show the sequence for inspection. Inspect in order from item 1.

No.	Item	Symptom	Condition	Diagnostic item	Reference
1	Shift Shock	Large shock. ("N"→ "D" position)	ON vehicle	1. Engine idle speed	EC-20 [With OBD (VQ35DE TYPE 1)], EC-430 [Without OBD (VQ35DE TYPE 2)]
				2. Engine speed signal	TM-63
				3. Accelerator pedal position sensor	TM-95
				4. CVT position	TM-166 (Sport mode), TM-166 (Manual mode)
				5. CVT fluid temperature sensor	TM-54
				6. CAN communication line	TM-45
				7. CVT fluid level and state	TM-155
				8. Line pressure test	TM-159
				9. Torque converter clutch solenoid valve	TM-66
				10. Lock-up select solenoid valve	TM-101
				11. PNP switch	TM-48
			OFF vehicle	12. Forward clutch	TM-189
				13. Control valve	
2	Shift Shock	Large shock. ("N"→ "R" position)	ON vehicle	1. Engine idle speed	EC-20 [With OBD (VQ35DE TYPE 1)], EC-430 [Without OBD (VQ35DE TYPE 2)]
				2. Engine speed signal	TM-63
				3. Accelerator pedal position sensor	TM-95
				4. CVT position	TM-166 (Sport mode), TM-166 (Manual mode)
				5. CVT fluid temperature sensor	TM-54
				6. CAN communication line	TM-45
				7. CVT fluid level and state	TM-155
				8. Line pressure test	TM-159
				9. Torque converter clutch solenoid valve	TM-66
				10. Lock-up select solenoid valve	TM-101
				11. PNP switch	TM-48
			OFF vehicle	12. Reverse brake	TM-189
				13. Control valve	

SYSTEM SYMPTOM

< SYMPTOM DIAGNOSIS >

[CVT: RE0F09B]

No.	Item	Symptom	Condition	Diagnostic Item	Reference
3	Shift Shock	Shock is too large for lock-up.	ON vehicle	1. CVT position	TM-166 (Sport mode), TM-166 (Manual mode)
				2. Engine speed signal	TM-63
				3. CAN communication line	TM-45
				4. CVT fluid level and state	TM-155
			OFF vehicle	5. Torque converter	TM-193
				6. Control valve	TM-189
4	Slips/Will Not Engage	Vehicle cannot take off from "D" position.	ON vehicle	1. CVT fluid level and state	TM-155
				2. CVT position	TM-166 (Sport mode), TM-166 (Manual mode)
				3. CAN communication line	TM-45
				4. Line pressure test	TM-159
				5. Stall test	TM-157
				6. Step motor	TM-104
				7. Primary speed sensor	TM-56
				8. Secondary speed sensor	TM-59
				9. Accelerator pedal position sensor	TM-95
				10. CVT fluid temperature sensor	TM-54
				11. Secondary pressure sensor	TM-81
				12. TCM power supply and ground	TM-92
			OFF vehicle	13. Oil pump assembly	TM-189
				14. Forward clutch	
				15. Control valve	
				16. Parking components	
5	Slips/Will Not Engage	Vehicle cannot take off from "R" position.	ON vehicle	1. CVT fluid level and state	TM-155
				2. CVT position	TM-166 (Sport mode), TM-166 (Manual mode)
				3. CAN communication line	TM-45
				4. Line pressure test	TM-159
				5. Stall test	TM-157
				6. Step motor	TM-104
				7. Primary speed sensor	TM-56
				8. Secondary speed sensor	TM-59
				9. Accelerator pedal position sensor	TM-95
				10. CVT fluid temperature sensor	TM-54
				11. Secondary pressure sensor	TM-81
				12. TCM power supply and ground	TM-92
			OFF vehicle	13. Oil pump assembly	TM-189
				14. Reverse brake	
				15. Control valve	
				16. Parking components	

A  
B  
C  
TM  
E  
F  
G  
H  
I  
J  
K  
L  
M  
N  
O  
P

## SYSTEM SYMPTOM

&lt; SYMPTOM DIAGNOSIS &gt;

[CVT: RE0F09B]

No.	Item	Symptom	Condition	Diagnostic item	Reference
6	Slips/Will Not Engage	Does not lock-up.	ON vehicle	1. CVT fluid level and state	<a href="#">TM-155</a>
				2. Line pressure test	<a href="#">TM-159</a>
				3. Engine speed signal	<a href="#">TM-63</a>
				4. Primary speed sensor	<a href="#">TM-56</a>
				5. Torque converter clutch solenoid valve	<a href="#">TM-66</a>
				6. CAN communication line	<a href="#">TM-45</a>
				7. Stall test	<a href="#">TM-157</a>
				8. Step motor	<a href="#">TM-104</a>
				9. PNP switch	<a href="#">TM-48</a>
				10. Lock-up select solenoid valve	<a href="#">TM-101</a>
				11. CVT fluid temperature sensor	<a href="#">TM-54</a>
				12. Secondary speed sensor	<a href="#">TM-59</a>
				13. Secondary pressure sensor	<a href="#">TM-81</a>
			OFF vehicle	14. Torque converter	<a href="#">TM-193</a>
				15. Oil pump assembly	<a href="#">TM-189</a>
				16. Control valve	<a href="#">TM-189</a>
7	Does not hold lock-up condition.		ON vehicle	1. CVT fluid level and state	<a href="#">TM-155</a>
				2. Line pressure test	<a href="#">TM-159</a>
				3. Engine speed signal	<a href="#">TM-63</a>
				4. Primary speed sensor	<a href="#">TM-56</a>
				5. Torque converter clutch solenoid valve	<a href="#">TM-66</a>
				6. CAN communication line	<a href="#">TM-45</a>
				7. Stall test	<a href="#">TM-157</a>
				8. Step motor	<a href="#">TM-104</a>
				9. PNP switch	<a href="#">TM-48</a>
				10. Lock-up select solenoid valve	<a href="#">TM-101</a>
				11. CVT fluid temperature sensor	<a href="#">TM-54</a>
				12. Secondary speed sensor	<a href="#">TM-59</a>
				13. Secondary pressure sensor	<a href="#">TM-81</a>
			OFF vehicle	14. Torque converter	<a href="#">TM-193</a>
				15. Oil pump assembly	<a href="#">TM-189</a>
				16. Control valve	<a href="#">TM-189</a>



SYSTEM SYMPTOM

< SYMPTOM DIAGNOSIS >

[CVT: RE0F09B]

No.	Item	Symptom	Condition	Diagnostic item	Reference
8		Lock-up is not released.	ON vehicle	1. CVT fluid level and state	TM-155
				2. Line pressure test	TM-159
				3. Engine speed signal	TM-63
				4. Primary speed sensor	TM-56
				5. Torque converter clutch solenoid valve	TM-66
				6. CAN communication line	TM-45
				7. Stall test	TM-157
			OFF vehicle	8. Torque converter	TM-193
				9. Oil pump assembly	TM-189
				10. Control valve	
9	Slips/Will Not Engage	With selector lever in "D" position, acceleration is extremely poor.	ON vehicle	1. CVT fluid level and state	TM-155
				2. Line pressure test	TM-159
				3. Stall test	TM-157
				4. Accelerator pedal position sensor	TM-95
				5. CAN communication line	TM-45
				6. PNP switch	TM-48
				7. CVT position	TM-166 (Sport mode), TM-166 (Manual mode)
				8. Step motor	TM-104
				9. Primary speed sensor	TM-56
				10. Secondary speed sensor	TM-59
				11. Accelerator pedal position sensor	TM-95
				12. Primary pressure sensor	TM-87
				13. Secondary pressure sensor	TM-81
				14. CVT fluid temperature sensor	TM-54
				15. TCM power supply and ground	TM-92
			OFF vehicle	16. Torque converter	TM-193
				17. Oil pump assembly	TM-189
				18. Forward clutch	
				19. Control valve	

A  
B  
C  
TM  
E  
F  
G  
H  
I  
J  
K  
L  
M  
N  
O  
P

## SYSTEM SYMPTOM

&lt; SYMPTOM DIAGNOSIS &gt;

[CVT: RE0F09B]

No.	Item	Symptom	Condition	Diagnostic item	Reference
10	Slips/Will Not Engage	With selector lever in "R" position, acceleration is extremely poor.	ON vehicle	1. CVT fluid level and state	TM-155
				2. Line pressure test	TM-159
				3. Stall test	TM-157
				4. Accelerator pedal position sensor	TM-95
				5. CAN communication line	TM-45
				6. PNP switch	TM-48
				7. CVT position	TM-166 (Sport mode), TM-166 (Manual mode)
				8. Step motor	TM-104
				9. Primary speed sensor	TM-56
				10. Secondary speed sensor	TM-59
				11. Accelerator pedal position sensor	TM-95
				12. Primary pressure sensor	TM-87
				13. Secondary pressure sensor	TM-81
				14. CVT fluid temperature sensor	TM-54
				15. TCM power supply and ground	TM-92
			OFF vehicle	16. Torque converter	TM-193
				17. Oil pump assembly	TM-189
				18. Reverse brake	
				19. Control valve	
11	Slips at lock-up.		ON vehicle	1. CVT fluid level and state	TM-155
				2. Line pressure test	TM-159
				3. Engine speed signal	TM-63
				4. Primary speed sensor	TM-56
				5. Torque converter clutch solenoid valve	TM-66
				6. CAN communication line	TM-45
				7. Stall test	TM-157
				8. Step motor	TM-104
				9. PNP switch	TM-48
				10. Lock-up select solenoid valve	TM-101
				11. CVT fluid temperature sensor	TM-54
				12. Secondary speed sensor	TM-59
			13. Secondary pressure sensor	TM-81	
			OFF vehicle	14. Torque converter	TM-193
				15. Oil pump assembly	TM-189
				16. Control valve	

## SYSTEM SYMPTOM

&lt; SYMPTOM DIAGNOSIS &gt;

[CVT: RE0F09B]

No.	Item	Symptom	Condition	Diagnostic item	Reference
12	Others	No creep at all.	ON vehicle	1. CVT fluid level and state	TM-155
				2. Line pressure test	TM-159
				3. Accelerator pedal position sensor	TM-95
				4. PNP switch	TM-48
				5. CAN communication line	TM-45
				6. Stall test	TM-157
				7. CVT position	TM-166 (Sport mode), TM-166 (Manual mode)
				8. Step motor	TM-104
				9. Primary speed sensor	TM-56
				10. Secondary speed sensor	TM-59
				11. Accelerator pedal position sensor	TM-95
				12. CVT fluid temperature sensor	TM-54
				13. Primary pressure sensor	TM-87
				14. Secondary pressure sensor	TM-81
				15. TCM power supply and ground	TM-92
			OFF vehicle	16. Torque converter	TM-193
				17. Oil pump assembly	
				18. Gear system	
				19. Forward clutch	TM-189
				20. Reverse brake	
				21. Control valve	

اولین سامانه دیجیتال تعمیرکاران خودرو در ایران

SYSTEM SYMPTOM

< SYMPTOM DIAGNOSIS >

[CVT: RE0F09B]

No.	Item	Symptom	Condition	Diagnostic item	Reference
13	Others	Vehicle cannot drive in all positions.	ON vehicle	1. CVT fluid level and state	TM-155
				2. Line pressure test	TM-159
				3. PNP switch	TM-48
				4. Stall test	TM-157
				5. CVT position	TM-166 (Sport mode), TM-166 (Manual mode)
				6. Step motor	TM-104
				7. Primary speed sensor	TM-56
				8. Secondary speed sensor	TM-59
				9. Accelerator pedal position sensor	TM-95
				10. CVT fluid temperature sensor	TM-54
				11. Secondary pressure sensor	TM-81
				12. TCM power supply and ground	TM-92
			OFF vehicle	13. Torque converter	TM-193
				14. Oil pump assembly	TM-189
				15. Gear system	
				16. Forward clutch	
				17. Reverse brake	
				18. Control valve	
				19. Parking components	
14		With selector lever in "D" position, driving is not possible.	ON vehicle	1. CVT fluid level and state	
				2. Line pressure test	TM-159
				3. PNP switch	TM-48
				4. Stall test	TM-157
				5. CVT position	TM-166 (Sport mode), TM-166 (Manual mode)
				6. Step motor	TM-104
				7. Primary speed sensor	TM-56
				8. Secondary speed sensor	TM-59
				9. Accelerator pedal position sensor	TM-95
				10. CVT fluid temperature sensor	TM-54
				11. Secondary pressure sensor	TM-81
				12. TCM power supply and ground	TM-92
			OFF vehicle	13. Torque converter	TM-193
				14. Oil pump assembly	TM-189
				15. Gear system	
				16. Forward clutch	
				17. Control valve	
				18. Parking components	

SYSTEM SYMPTOM

[CVT: RE0F09B]

< SYMPTOM DIAGNOSIS >

No.	Item	Symptom	Condition	Diagnostic item	Reference
15	Others	With selector lever in "R" position, driving is not possible.	ON vehicle	1. CVT fluid level and state	TM-155
				2. Line pressure test	TM-159
				3. PNP switch	TM-48
				4. Stall test	TM-157
				5. CVT position	TM-166 (Sport mode), TM-166 (Manual mode)
				6. Step motor	TM-104
				7. Primary speed sensor	TM-56
				8. Secondary speed sensor	TM-59
				9. Accelerator pedal position sensor	TM-95
				10. CVT fluid temperature sensor	TM-54
				11. Secondary pressure sensor	TM-81
				12. TCM power supply and ground	TM-92
			OFF vehicle	13. Torque converter	TM-193
				14. Oil pump assembly	TM-189
				15. Gear system	
				16. Reverse brake	
				17. Control valve	
				18. Parking components	
16	Others	Judder occurs during lock-up.	ON vehicle	1. CVT fluid level and state	
				2. Engine speed signal	TM-63
				3. Primary speed sensor	TM-56
				4. Secondary speed sensor	TM-59
				5. Accelerator pedal position sensor	TM-95
				6. CAN communication line	TM-45
				7. Torque converter clutch solenoid valve	TM-66
			OFF vehicle	8. Torque converter	TM-193
				9. Control valve	TM-189
17	Others	Strange noise in "D" position.	ON vehicle	1. CVT fluid level and state	TM-155
				2. Engine speed signal	TM-63
				3. CAN communication line	TM-45
			OFF vehicle	4. Torque converter	TM-193
				5. Oil pump assembly	TM-189
				6. Gear system	
				7. Forward clutch	
				8. Control valve	
				9. Bearing	

A  
B  
C  
TM  
E  
F  
G  
H  
I  
J  
K  
L  
M  
N  
O  
P

## SYSTEM SYMPTOM

&lt; SYMPTOM DIAGNOSIS &gt;

[CVT: RE0F09B]

No.	Item	Symptom	Condition	Diagnostic item	Reference
18	Others	Strange noise in "R" position.	ON vehicle	1. CVT fluid level and state	TM-155
				2. Engine speed signal	TM-63
				3. CAN communication line	TM-45
			OFF vehicle	4. Torque converter	TM-193
				5. Oil pump assembly	TM-189
				6. Gear system	
				7. Reverse brake	
				8. Control valve	
19	Others	Strange noise in "N" position.	ON vehicle	1. CVT fluid level and state	TM-155
				2. Engine speed signal	TM-63
				3. CAN communication line	TM-45
			OFF vehicle	4. Torque converter	TM-193
				5. Oil pump assembly	TM-189
				6. Gear system	
				7. Control valve	
20	Others	Vehicle does not decelerate by engine brake.	ON vehicle	1. CVT fluid level and state	TM-155
				2. CVT position	TM-166 (Sport mode), TM-166 (Manual mode)
				3. CAN communication line	TM-45
				4. Step motor	TM-104
				5. Primary speed sensor	TM-56
				6. Secondary speed sensor	TM-59
				7. Line pressure test	TM-159
				8. Engine speed signal	TM-63
				9. Accelerator pedal position sensor	TM-95
			OFF vehicle	10. Control valve	TM-189



SYSTEM SYMPTOM

[CVT: RE0F09B]

< SYMPTOM DIAGNOSIS >

No.	Item	Symptom	Condition	Diagnostic Item	Reference
21		Maximum speed low.	ON vehicle	1. CVT fluid level and state	TM-155
				2. Line pressure test	TM-159
				3. Accelerator pedal position sensor	TM-95
				4. CAN communication line	TM-45
				5. Stall test	TM-157
				6. Step motor	TM-104
				7. Primary speed sensor	TM-56
				8. Secondary speed sensor	TM-59
				9. Primary pressure sensor	TM-87
				10. Secondary pressure sensor	TM-81
				11. CVT fluid temperature sensor	TM-54
			OFF vehicle	12. Torque converter	TM-193
				13. Oil pump assembly	TM-189
				14. Gear system	
				15. Forward clutch	
				16. Control valve	
22	Others	With selector lever in "P" position, vehicle does not enter parking condition or, with selector lever in another position, parking condition is not cancelled.	ON vehicle	1. PNP switch	TM-48
				2. CVT position	TM-166 (Sport mode), TM-166 (Manual mode)
			OFF vehicle	3. Parking components	TM-189
			23		Vehicle drives with CVT in "P" position.
2. CVT fluid level and state	TM-155				
3. CVT position	TM-166 (Sport mode), TM-166 (Manual mode)				
OFF vehicle	4. Parking components	TM-189			
	5. Gear system				
	6. Control valve				
24		Vehicle drives with CVT in "N" position.	ON vehicle	1. PNP switch	TM-48
				2. CVT fluid level and state	TM-155
				3. CVT position	TM-166 (Sport mode), TM-166 (Manual mode)
			OFF vehicle	4. Gear system	TM-189
				5. Forward clutch	
				6. Reverse brake	
				7. Control valve	

## SYSTEM SYMPTOM

&lt; SYMPTOM DIAGNOSIS &gt;

[CVT: RE0F09B]

No.	Item	Symptom	Condition	Diagnostic item	Reference
25		Engine stall.	ON vehicle	1. CVT fluid level and state	TM-155
				2. Engine speed signal	TM-63
				3. Primary speed sensor	TM-56
				4. Torque converter clutch solenoid valve	TM-66
				5. CAN communication line	TM-45
				6. Stall test	TM-157
				7. Secondary pressure sensor	TM-81
			OFF vehicle	8. Torque converter	TM-193
				9. Control valve	TM-189
26		Engine stalls when selector lever is shifted "N"→"D"or "R".	ON vehicle	1. CVT fluid level and state	TM-155
				2. Engine speed signal	TM-63
				3. Primary speed sensor	TM-56
				4. Torque converter clutch solenoid valve	TM-66
				5. CAN communication line	TM-45
				6. Stall test	TM-157
			OFF vehicle	7. Torque converter	TM-193
				8. Control valve	TM-189
27	Others	Engine speed does not return to idle.	ON vehicle	1. CVT fluid level and state	TM-155
				2. Accelerator pedal position sensor	TM-95
				3. Secondary speed sensor	TM-59
				4. CAN communication line	TM-45
			OFF vehicle	5. Control valve	TM-189
28		CVT does not shift	ON vehicle	1. CVT fluid level and state	TM-155
				2. CVT position	TM-166 (Sport mode), TM-166 (Manual mode)
				3. Line pressure test	TM-159
				4. Engine speed signal	TM-63
				5. Accelerator pedal position sensor	TM-95
				6. CAN communication line	TM-45
				7. Primary speed sensor	TM-56
				8. Secondary speed sensor	TM-59
				9. Step motor	TM-104
			OFF vehicle	10. Control valve	TM-189
				11. Oil pump assembly	
29		Engine does not start in "N" or "P" position.	ON vehicle	1. Ignition switch and starter	PG-60, STR-5
				2. CVT position	TM-166 (Sport mode), TM-166 (Manual mode)
				3. PNP switch	TM-48

## SYSTEM SYMPTOM

&lt; SYMPTOM DIAGNOSIS &gt;

[CVT: RE0F09B]

No.	Item	Symptom	Condition	Diagnostic item	Reference
30		Engine starts in positions other than "N" or "P".	ON vehicle	1. Ignition switch and starter	PG-60, STR-5
				2. CVT position	TM-166 (Sport mode), TM-166 (Manual mode)
				3. PNP switch	TM-48
31		When brake pedal is depressed with ignition switch ON, selector lever cannot be shifted from "P" position to other position.	ON vehicle	1. Stop lamp switch	TM-111
				2. Shift lock solenoid	
				3. Control device	
32	Others	When brake pedal is not depressed with ignition switch ON, selector lever can be shifted from "P" position to other position.	ON vehicle	1. Stop lamp switch	TM-111
				2. Shift lock solenoid	
				3. Control device	
33		Cannot be changed to sport mode.	ON vehicle	1. Sport mode switch	TM-117
				2. CAN communication line	TM-45
				3. Combination meter	MWI-46
34		Cannot be changed to manual mode.	ON vehicle	1. Manual mode switch	TM-78
				2. CAN communication line	TM-45
				3. Combination meter	MWI-46
35		SPORT indicator lamp does not come on.	ON vehicle	1. CAN communication line	TM-45
				2. Combination meter	MWI-46
				3. TCM power supply and ground	TM-92

اولین سامانه دیجیتال تعمیرکاران خودرو در ایران

## PRECAUTIONS

&lt; PRECAUTION &gt;

[CVT: RE0F09B]

## PRECAUTION

## PRECAUTIONS

## Precaution for Supplemental Restraint System (SRS) "AIR BAG" and "SEAT BELT PRE-TENSIONER"

INFOID:000000006191606

The Supplemental Restraint System such as "AIR BAG" and "SEAT BELT PRE-TENSIONER", used along with a front seat belt, helps to reduce the risk or severity of injury to the driver and front passenger for certain types of collision. Information necessary to service the system safely is included in the "SRS AIR BAG" and "SEAT BELT" of this Service Manual.

**WARNING:**

- To avoid rendering the SRS inoperative, which could increase the risk of personal injury or death in the event of a collision which would result in air bag inflation, all maintenance must be performed by an authorized NISSAN/INFINITI dealer.
- Improper maintenance, including incorrect removal and installation of the SRS, can lead to personal injury caused by unintentional activation of the system. For removal of Spiral Cable and Air Bag Module, see the "SRS AIR BAG".
- Do not use electrical test equipment on any circuit related to the SRS unless instructed to in this Service Manual. SRS wiring harnesses can be identified by yellow and/or orange harnesses or harness connectors.

## PRECAUTIONS WHEN USING POWER TOOLS (AIR OR ELECTRIC) AND HAMMERS

**WARNING:**

- When working near the Air Bag Diagnosis Sensor Unit or other Air Bag System sensors with the ignition ON or engine running, DO NOT use air or electric power tools or strike near the sensor(s) with a hammer. Heavy vibration could activate the sensor(s) and deploy the air bag(s), possibly causing serious injury.
- When using air or electric power tools or hammers, always switch the ignition OFF, disconnect the battery, and wait at least 3 minutes before performing any service.

## Precaution Necessary for Steering Wheel Rotation after Battery Disconnect

INFOID:000000006191607

**NOTE:**

- Before removing and installing any control units, first turn the push-button ignition switch to the LOCK position, then disconnect both battery cables.
- After finishing work, confirm that all control unit connectors are connected properly, then re-connect both battery cables.
- Always use CONSULT-III to perform self-diagnosis as a part of each function inspection after finishing work. If a DTC is detected, perform trouble diagnosis according to self-diagnosis results.

For vehicle with steering lock unit, if the battery is disconnected or discharged, the steering wheel will lock and cannot be turned.

If turning the steering wheel is required with the battery disconnected or discharged, follow the operation procedure below before starting the repair operation.

## OPERATION PROCEDURE

1. Connect both battery cables.

**NOTE:**

Supply power using jumper cables if battery is discharged.

2. Turn the push-button ignition switch to ACC position.  
(At this time, the steering lock will be released.)
3. Disconnect both battery cables. The steering lock will remain released with both battery cables disconnected and the steering wheel can be turned.
4. Perform the necessary repair operation.
5. When the repair work is completed, re-connect both battery cables. With the brake pedal released, turn the push-button ignition switch from ACC position to ON position, then to LOCK position. (The steering wheel will lock when the push-button ignition switch is turned to LOCK position.)
6. Perform self-diagnosis check of all control units using CONSULT-III.

**PRECAUTIONS**

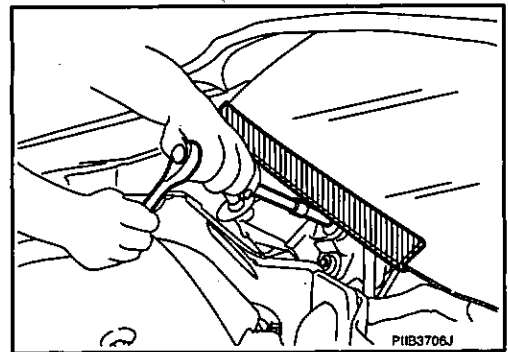
[CVT: RE0F09B]

< PRECAUTION >

**Precaution for Procedure without Cowl Top Cover**

INFOID:000000006191608

When performing the procedure after removing cowl top cover, cover the lower end of windshield with urethane, etc.



**Precaution for On Board Diagnosis (OBD) System of CVT and Engine**

INFOID:000000006191609

The ECM has an on board diagnostic system. It will light up the malfunction indicator lamp(MIL) to warn the driver of a malfunction causing emission deterioration.

**CAUTION:**

- Be sure to turn the ignition switch OFF and disconnect the battery cable from the negative terminal before any repair or inspection work. The open/short circuit of related switches, sensors, solenoid valves, etc. will cause the MIL to light up.
- Be sure to connect and lock the connectors securely after work. A loose (unlocked) connector will cause the MIL to light up due to an open circuit. (Be sure the connector is free from water, grease, dirt, bent terminals, etc.)
- Be sure to route and secure the harnesses properly after work. Interference of the harness with a bracket, etc. may cause the MIL to light up due to a short circuit.
- Be sure to connect rubber tubes properly after work. A misconnected or disconnected rubber tube may cause the MIL to light up due to a malfunction of the EVAP system or fuel injection system, etc.
- Be sure to erase the unnecessary malfunction information (repairs completed) from the TCM and ECM before returning the vehicle to the customer.

**Precaution for TCM and CVT Assembly Replacement**

INFOID:000000006191610

**CAUTION:**

- Check if new data (Unit ID) are entered correctly after replacing CVT assembly and erasing data in TCM. (Connect CONSULT-III, and then turn ignition switch OFF.)
- When replacing CVT assembly or TCM, refer to the pattern table below and erase the EEPROM in the TCM if necessary.

**EEPROM ERASING PATTERNS**

CVT assembly	TCM	Erasing EEPROM in TCM	Remarks
Replaced	Replaced	Not required	Not required because the EEPROM in the TCM is in the default state. (CVT assembly must be replaced first.)
Not replaced	Replaced	Not required	Not required because the EEPROM in the TCM is in the default state.
Replaced	Not replaced	Required	Required because data has been written in the EEPROM in the TCM and because the TCM cannot write data from the ROM assembly in the transmission.

**Removal and Installation Procedure for CVT Unit Connector**

INFOID:000000006191611

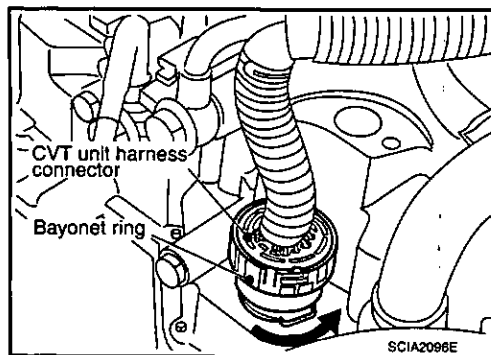
**REMOVAL**

**PRECAUTIONS**

< PRECAUTION >

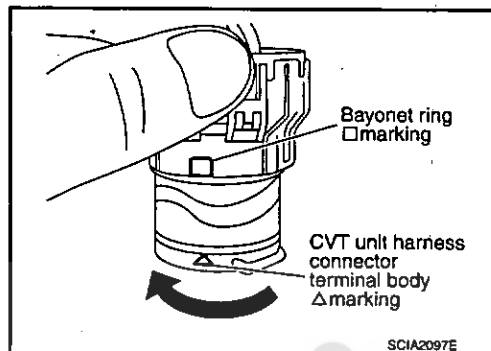
[CVT: RE0F09B]

Rotate bayonet ring counterclockwise. Pull out CVT unit harness connector upward and remove it.

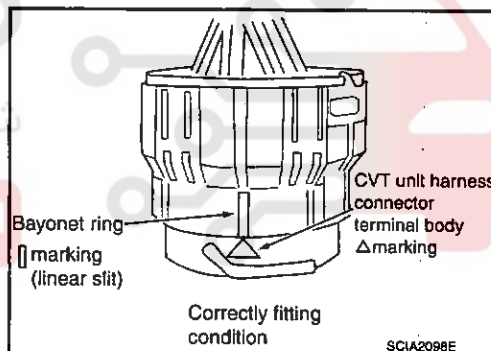


**INSTALLATION**

1. Align  $\Delta$  marking on CVT unit harness connector terminal body with  $\square$  marking on bayonet ring. Insert CVT unit harness connector. Then rotate bayonet ring clockwise.

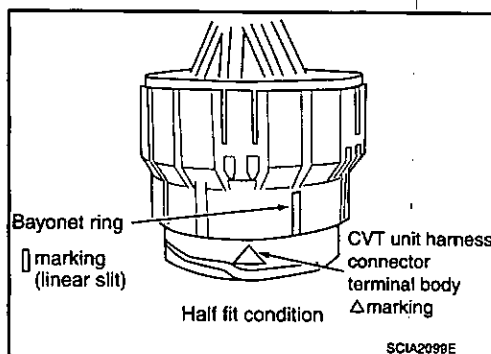


2. Rotate bayonet ring clockwise until  $\Delta$  marking on CVT unit harness connector terminal body is aligned with the slit on bayonet ring as shown in the figure (correctly fitting condition). Install CVT unit harness connector to CVT unit harness connector terminal body.



**CAUTION:**

- Securely align  $\Delta$  marking on CVT unit harness connector terminal body with bayonet ring slit. Then, be careful not to make a half fit condition as shown in the figure.
- Never mistake the slit of bayonet ring for other dent portion.





PRECAUTIONS

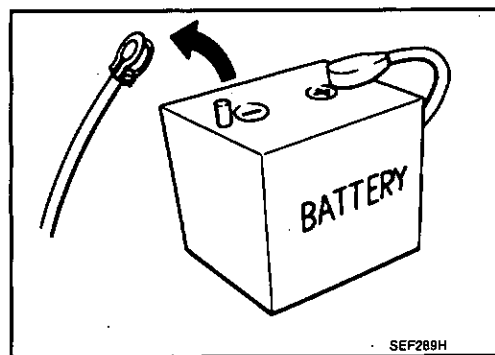
[CVT: RE0F09B]

< PRECAUTION >

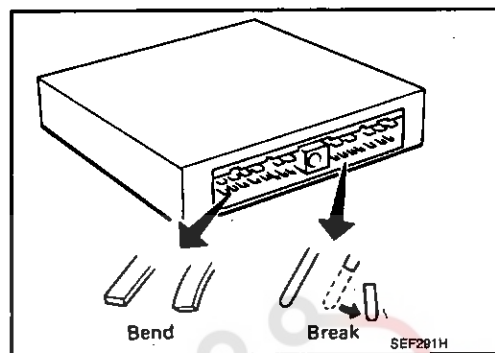
Precaution

INFOID.000000006191612

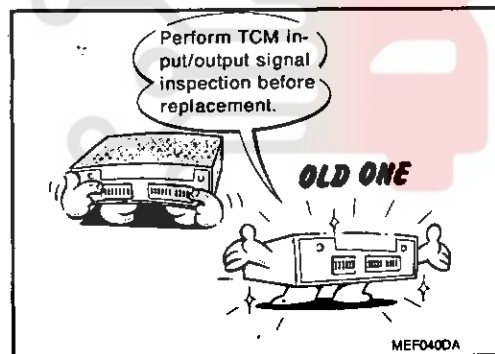
- Turn ignition switch OFF and disconnect negative battery cable before connecting or disconnecting the TCM harness connector. Because battery voltage is applied to TCM even if ignition switch is turned OFF.



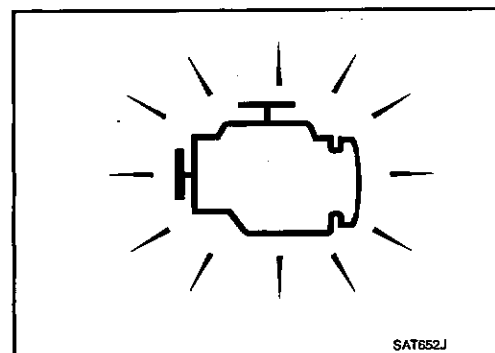
- When connecting or disconnecting pin connectors into or from TCM, do not damage pin terminals (bend or break). Check that there are not any bends or breaks on TCM pin terminal, when connecting pin connectors.



- Perform TCM input/output signal inspection and check whether TCM functions normally or not before replacing TCM. TM-119, "Reference Value".



- Perform "DTC Confirmation Procedure" after performing each TROUBLE DIAGNOSIS. If the repair is completed the DTC should not be displayed in the "DTC Confirmation Procedure".
- Always use the specified brand of CVT fluid. Refer to MA-8, "Fluids and Lubricants".
- Use lint-free paper, not cloth rags, during work.
- Dispose of the waste oil using the methods prescribed by law, ordinance, etc. after replacing the CVT fluid.

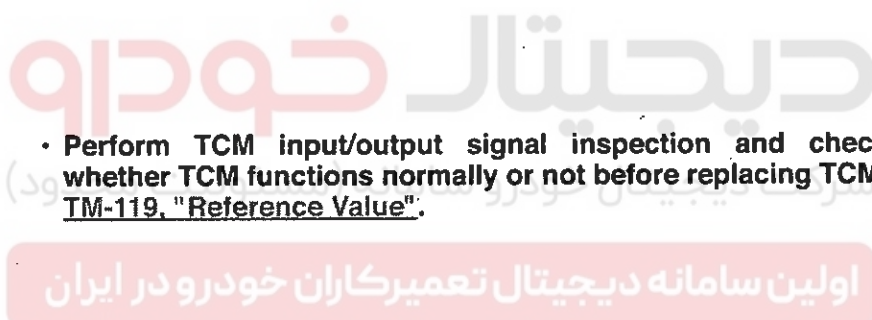


Service Notice or Precaution

INFOID.000000006191613

OBD SELF-DIAGNOSIS (WITH OBD)

- CVT self diagnosis is performed by the TCM in combination with the ECM. The results can be read through the blinking pattern of the Malfunction Indicator Lamp (MIL). Refer to the table on TM-41, "CONSULT-III Function (TRANSMISSION)" for the indicator used to display each self diagnostic results.
- The self diagnostic results indicated by the MIL are automatically stored in both the ECM and TCM memories.



## PRECAUTIONS

&lt; PRECAUTION &gt;

[CVT: RE0F09B]

Always perform the procedure on TM-39. "Diagnosis Description" to complete the repair and avoid unnecessary blinking of the MIL.

For details of OBD, refer to EC-106. "Diagnosis Description".

- Certain systems and components, especially those related to OBD, may use the new style slide-locking type harness connector. For description and how to disconnect, refer to PG-115.

## ATFTEMP COUNT Conversion Table

INFOID:000000006191614

ATFTEMP COUNT	Temperature °C (°F)	ATFTEMP COUNT	Temperature °C (°F)
4	-30 (-22)	177	90 (194)
8	-20 (-4)	183	95 (203)
13	-10 (14)	190	100 (212)
17	-5 (23)	196	105 (221)
21	0 (32)	201	110 (230)
27	5 (41)	206	115 (239)
32	10 (50)	210	120 (248)
39	15 (59)	214	125 (257)
47	20 (68)	218	130 (266)
55	25 (77)	221	135 (275)
64	30 (86)	224	140 (284)
73	35 (95)	227	145 (293)
83	40 (104)	229	150 (302)
93	45 (113)	231	155 (311)
104	50 (122)	233	160 (320)
114	55 (131)	235	165 (329)
124	60 (140)	236	170 (338)
134	65 (149)	238	175 (347)
143	70 (158)	239	180 (356)
152	75 (167)	241	190 (374)
161	80 (176)	243	200 (392)
169	85 (185)	-	-

PREPARATION

[CVT: RE0F09B]


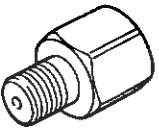

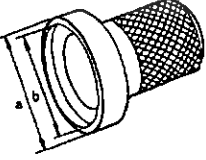
< PREPARATION >

PREPARATION

PREPARATION

Special Service Tools

INFOID:000000006191615

Tool number Tool name	Description
1. ST25054000 Adapter 2. ST25055000 Adapter  <p style="text-align: center;">SCIA8372J</p>	Measuring line pressure
KV31103600 Joint pipe adapter (With ST25054000)  <p style="text-align: center;">ZZA1227D</p>	Measuring line pressure
ST33400001 Drift a: 60 mm (2.36 in) dia. b: 47 mm (1.85 in) dia.  <p style="text-align: center;">ZZA0814D</p>	Installing differential side oil seal
KV40100621 Drift a: 76 mm (2.99 in) dia. b: 69 mm (2.72 in) dia.  <p style="text-align: center;">ZZA0814D</p>	Installing side oil seal (transfer joint)

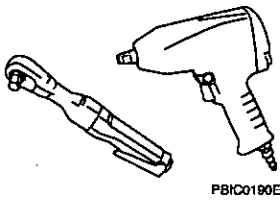
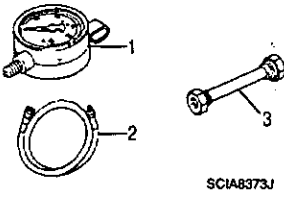
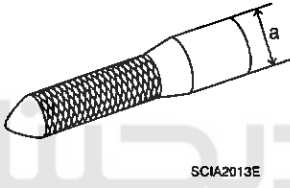
Commercial Service Tools

INFOID:000000006191616

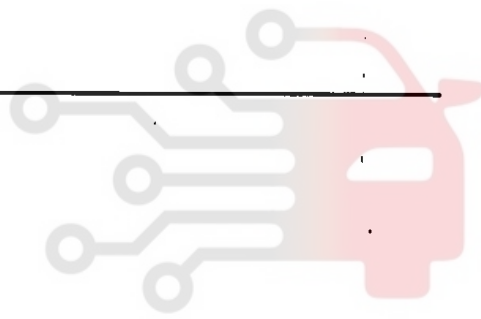
PREPARATION

< PREPARATION >

[CVT: RE0F09B]

Tool number Tool name	Description
Power tool  	Loosening nuts and bolts
Oil pressure gauge set 1.Oil pressure gauge 2.Hose 3.Joint pipe  	Measuring line pressure
31197CA000 Drive plate location guide a: 14 mm (0.55 in) dia.  	Installing transaxle assembly

دیجیتال خودرو  
 شرکت دیجیتال خودرو سامانه (مسئولیت محدود)



اولین سامانه دیجیتال تعمیرکاران خودرو در ایران

## CVT FLUID

&lt; ON-VEHICLE MAINTENANCE &gt;

[CVT: RE0F09B]

## ON-VEHICLE MAINTENANCE

## CVT FLUID

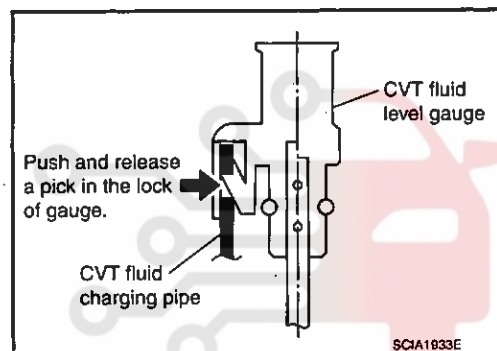
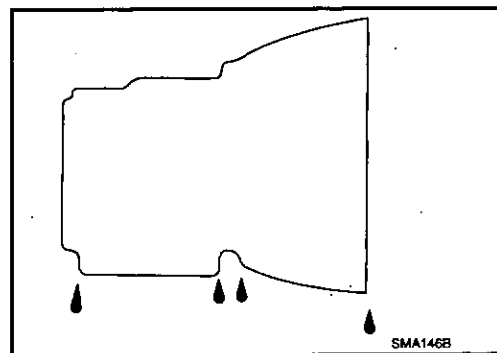
## Inspection

INFOID:000000006191617

## CHECKING CVT FLUID

The fluid level should be checked with the fluid warmed up to 50 to 80°C (122 to 176°F). The fluid level check procedure is as follows:

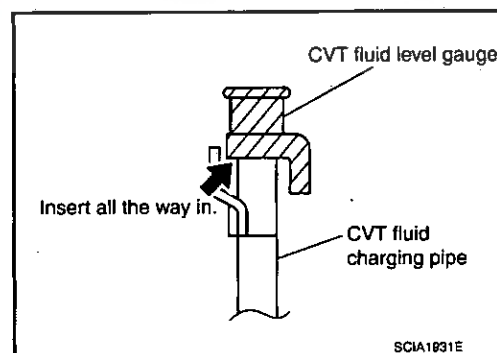
1. Check for fluid leakage.
2. With the engine warmed up, drive the vehicle in an urban area. When ambient temperature is 20°C (68°F), it takes about 10 minutes for the CVT fluid to warm up to 50 to 80°C (122 to 176°F).
3. Park the vehicle on a level surface.
4. Apply parking brake firmly.
5. With engine at idle, while depressing brake pedal, move shift selector throughout the entire shift range.
6. Pull out the CVT fluid level gauge from the CVT fluid charging pipe after pressing the tab on the CVT fluid level gauge to release the lock.



7. Wipe fluid off the CVT fluid level gauge. Insert the CVT fluid level gauge rotating 180° from the originally installed position, then securely push the CVT fluid level gauge until it meets the top end of the CVT fluid charging pipe.

**CAUTION:**

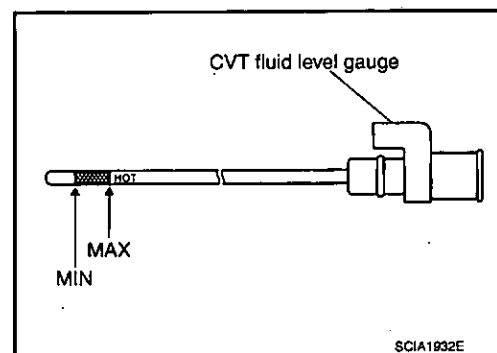
When wiping away the CVT fluid level gauge, always use lint-free paper, not a cloth rag.



8. Place the selector lever in "P" or "N" and check that the fluid level is within the specified range.

**CAUTION:**

When reinstalling CVT fluid level gauge, insert it into the CVT fluid charging pipe and rotate it to the original installation position until securely locked.



CVT FLUID CONDITION

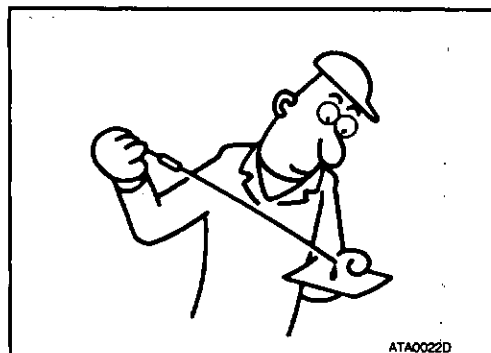
CVT FLUID

< ON-VEHICLE MAINTENANCE >

[CVT: RE0F09B]

Check CVT fluid condition.

- If CVT fluid is very dark or smells burned, check operation of CVT. Flush cooling system after repair of CVT.
- If CVT fluid contains frictional material (clutches, brakes, etc.), replace radiator and flush cooler line using cleaning solvent and compressed air after repair of CVT. Refer to CO-13, "Exploded View".



Fluid status	Conceivable cause	Required operation
Varnished (viscous varnish state)	CVT fluid becomes degraded due to high temperatures.	Replace the CVT fluid and check the CVT main unit and the vehicle for malfunctions (wire harnesses, cooler pipes, etc.)
Milky white or cloudy	Water in the fluid	Replace the CVT fluid and check for places where water is getting in.
Large amount of metal powder mixed in	Unusual wear of sliding parts within CVT	Replace the CVT fluid and check for improper operation of the CVT.

Changing

INFOID:000000006191618

CAUTION:

Replace a O-ring with new ones at the final stage of the operation when installing.

1. Remove drain plug from oil pan.
2. Remove O-ring from drain plug.
3. Install O-ring to drain plug.

CAUTION:

Never reuse O-ring.

4. Install drain plug to oil pan. Refer to TM-176, "Exploded View".
5. Fill CVT fluid from CVT fluid charging pipe to the specified level.

CVT fluid : Refer to TM-195, "General Specification".

Fluid capacity : Refer to TM-195, "General Specification".

CAUTION:

- Use only Genuine NISSAN CVT Fluid NS-2. Never mix with other fluid.
- Using CVT fluid other than Genuine NISSAN CVT Fluid NS-2 will deteriorate in driveability and CVT durability, and may damage the CVT, which is not covered by the warranty.
- When filling CVT fluid, take care not to scatter heat generating parts such as exhaust.
- Sufficiently shake the container of CVT fluid before using.
- Delete CVT fluid deterioration date with CONSULT-III after changing CVT fluid. Refer to TM-41, "CONSULT-III Function (TRANSMISSION)".

6. With the engine warmed up, drive the vehicle in an urban area.

NOTE:

When ambient temperature is 20°C (68°F), it takes about 10 minutes for the CVT fluid to warm up to 50 to 80°C (122 to 176°F).

7. Check CVT fluid level and condition.
8. Repeat steps 1 to 5 if CVT fluid has been contaminated.



STALL TEST

< ON-VEHICLE MAINTENANCE >

[CVT: RE0F09B]

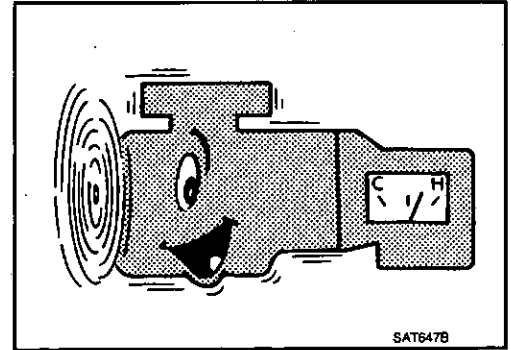
STALL TEST

Inspection and Judgment

INFOID:000000006191619

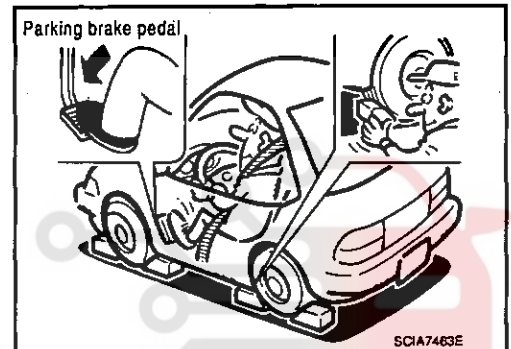
INSPECTION

1. Inspect the amount of engine oil. Replenish the engine oil if necessary.
2. Drive for about 10 minutes to warm up the vehicle so that the CVT fluid temperature is 50 to 80°C (122 to 176°F). Inspect the amount of CVT fluid. Replenish if necessary.



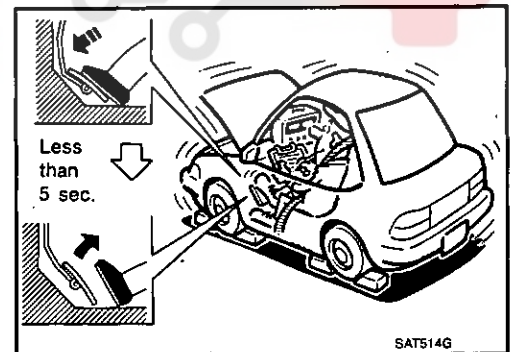
3. Securely engage parking brake so that the tires do not turn.
4. Install a tachometer where it can be seen by driver during test.
 

**NOTE:**  
It is good practice to mark the point of specified engine rpm on indicator.
5. Start engine, apply foot brake, and move selector lever to "D" position.



6. Gradually press down accelerator pedal while holding down the foot brake.
7. Quickly read off the stall speed, and then quickly remove your foot from accelerator pedal.
 

**CAUTION:**  
Never hold down accelerator pedal for more than 5 seconds during this test.



Stall speed : Refer to TM-195, "Stall Speed".

8. Move selector lever to "N" position.
9. Cool down the CVT fluid.
 

**CAUTION:**  
Run the engine at idle for at least 1 minute.
10. Repeat steps 6 through 9 with selector lever in "R" position.

JUDGMENT

	Selector lever position		Expected problem location
	"D"	"R"	
Stall rotation	H	O	• Forward clutch
	O	H	• Reverse brake
	L	L	• Engine and torque converter one-way clutch
	H	H	• Line pressure low • Primary pulley • Secondary pulley • Steel belt

STALL TEST

< ON-VEHICLE MAINTENANCE >

[CVT: RE0F09B]

O: Stall speed within standard value position.

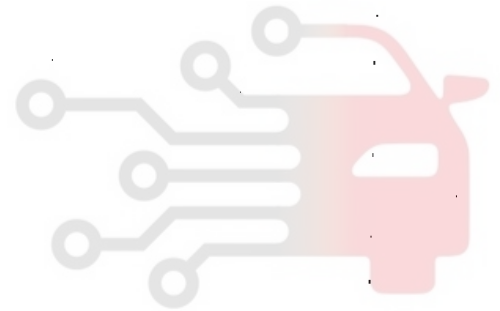
H: Stall speed is higher than standard value.

L: Stall speed is lower than standard value.

دیجیتال خودرو

شرکت دیجیتال خودرو سامانه (مسئولیت محدود)

اولین سامانه دیجیتال تعمیرکاران خودرو در ایران



## LINE PRESSURE TEST

&lt; ON-VEHICLE MAINTENANCE &gt;

[CVT: RE0F09B]

## LINE PRESSURE TEST

## Inspection and Judgment

INFOID:000000006191620

## INSPECTION

## Line Pressure Test Procedure

1. Inspect the amount of engine oil and replenish if necessary.
2. Drive the car for about 10 minutes to warm it up so that the CVT fluid reaches in the range of 50 to 80°C (122 to 176°F). Then inspect the amount of CVT fluid and replenish if necessary.

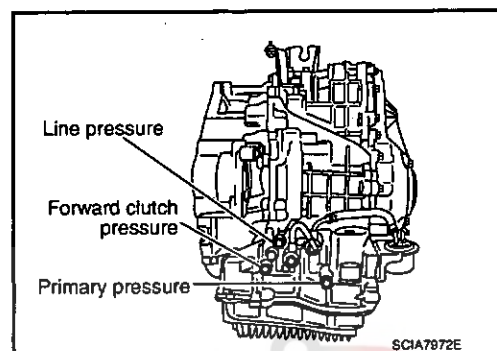
**NOTE:**

The CVT fluid temperature rises in the range of 50 to 80°C (122 to 176°F) during 10 minutes of driving.

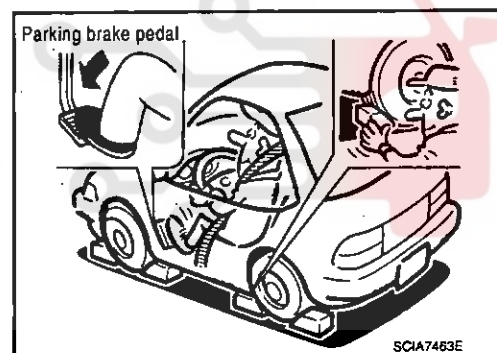
3. After warming up CVT, remove the oil pressure detection plug and install the joint pipe adapter (SST: KV31103600), adapter (SST: 25054000), oil pressure gauge set (commercial service tool).

**CAUTION:**

When using oil pressure gauge, be sure to use O-ring attached to oil pressure detection plug.



4. Securely engage parking brake so that the tires do not turn.




5. Start the engine, and then measure the line pressure at both idle and the stall speed.

**CAUTION:**

- Keep brake pedal pressed all the way down during measurement.
- When measuring the line pressure at the stall speed. Refer to TM-157, "Inspection and Judgment".

Line pressure : Refer to TM-195, "Line Pressure".

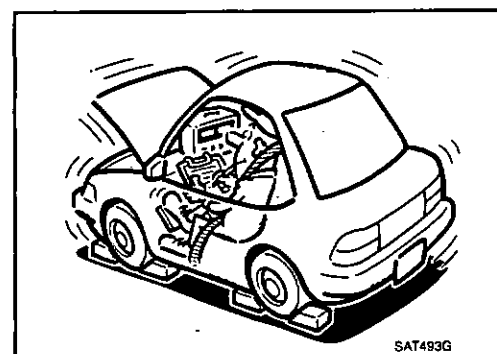
6. Install oil pressure detection plug and tighten to the specified torque below after the measurements are complete.

 : 7.5 N·m (0.77 kg-m, 66 in-lb)

**CAUTION:**

- Never reuse O-ring.
- Apply CVT fluid to O-ring.

## JUDGMENT



## LINE PRESSURE TEST

&lt; ON-VEHICLE MAINTENANCE &gt;

[CVT: RE0F09B]

	Judgment	Possible cause
Idle speed	Low for all positions ("P", "R", "N", "D", "L")	Possible causes include malfunctions in the pressure supply system and low oil pump output. For example <ul style="list-style-type: none"> <li>• Oil pump wear</li> <li>• Pressure regulator valve or plug sticking or spring fatigue</li> <li>• Oil strainer ⇒ oil pump ⇒ pressure regulator valve passage oil leak</li> <li>• Engine idle speed too low</li> </ul>
	Only low for a specific position	Possible causes include an oil pressure leak in a passage or device related to the position after the pressure is distributed by the manual valve.
	High	Possible causes include a sensor malfunction or malfunction in the line pressure adjustment function. For example <ul style="list-style-type: none"> <li>• Accelerator pedal position signal malfunction</li> <li>• CVT fluid temperature sensor malfunction</li> <li>• Pressure control solenoid A (line pressure solenoid) malfunction (sticking in OFF state, filter clog, cut line)</li> <li>• Pressure regulator valve or plug sticking</li> </ul>
Stall speed	Line pressure does not rise higher than the line pressure for idle.	Possible causes include a sensor malfunction or malfunction in the pressure adjustment function. For example <ul style="list-style-type: none"> <li>• Accelerator pedal position signal malfunction</li> <li>• TCM malfunction</li> <li>• Pressure control solenoid A (line pressure solenoid) malfunction (shorting, sticking in ON state)</li> <li>• Pressure regulator valve or plug sticking</li> </ul>
	The pressure rises, but does not enter the standard position.	Possible causes include malfunctions in the pressure supply system and malfunction in the pressure adjustment function. For example <ul style="list-style-type: none"> <li>• Accelerator pedal position signal malfunction</li> <li>• Pressure control solenoid A (line pressure solenoid) malfunction (sticking, filter clog)</li> <li>• Pressure regulator valve or plug sticking</li> </ul>
	Only low for a specific position	Possible causes include an oil pressure leak in a passage or device related to the position after the pressure is distributed by the manual valve.

\*: Sport mode

## ROAD TEST

&lt; ON-VEHICLE MAINTENANCE &gt;

[CVT: RE0F09B]

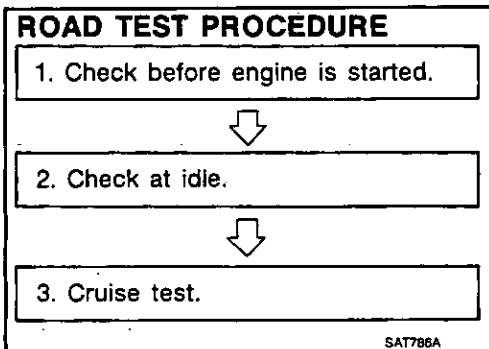
## ROAD TEST

## Description

INFOID:000000006191821

## DESCRIPTION

- The purpose of the test is to determine the overall performance of CVT and analyze causes of problems.
- The road test consists of the following three parts:
  1. "Check Before Engine Is Started" TM-161.
  2. "Check at Idle" TM-161.
  3. "Cruise Test" TM-162.



- Before the road test, familiarize yourself with all test procedures and items to check.
- Perform tests for all the check items until a malfunction phenomenon is detected. Perform diagnosis for NG items after the completion of road tests.



## Check before Engine Is Started

INFOID:000000006191622

## 1. CHECK SHIFT POSITION INDICATOR اولین سامانه دیجیتال خودرو

1. Park vehicle on flat surface.
2. Shift the selector lever to "P" position.
3. Turn ignition switch OFF. Wait at least 5 seconds.
4. Turn ignition switch ON. (Do not start engine.)

Has shift position indicator been turned ON for about 2 seconds?

- YES >> 1. Turn ignition switch OFF.  
 2. Perform self-diagnosis and note NG items.  
 Refer to TM-41, "CONSULT-III Function (TRANSMISSION)".  
 3. Go to TM-161, "Check at Idle".
- NO >> Stop "Road Test". Refer to TM-136, "Symptom Table".

## Check at Idle

INFOID:000000006191623

## 1. CHECK STARTING THE ENGINE (PART 1)

1. Park vehicle on flat surface.
2. Shift the selector lever to "P" or "N" position.
3. Turn ignition switch OFF.
4. Turn ignition switch to "START" position.

Is engine started?

- YES >> GO TO 2.
- NO >> Stop "Road Test". Refer to TM-136, "Symptom Table".

## 2. CHECK STARTING THE ENGINE (PART 2)

## Sport mode

1. Turn ignition switch ON.
2. Shift the selector lever to "D", "L" or "R" position.

## ROAD TEST

## &lt; ON-VEHICLE MAINTENANCE &gt;

[CVT: RE0F09B]

3. Turn ignition switch to "START" position.

**Manual mode**

1. Turn ignition switch ON.
2. Shift the selector lever to "D", "M" or "R" position.
3. Turn ignition switch to "START" position.

Is engine started?

- YES >> Stop "Road Test". Refer to TM-136, "Symptom Table".  
 NO >> GO TO 3.

**3.CHECK "P" POSITION FUNCTION**

1. Shift the selector lever to "P" position.
2. Turn ignition switch OFF.
3. Release parking brake.
4. Push vehicle forward or backward.
5. Apply parking brake.

Does vehicle move forward or backward?

- YES >> Refer to TM-136, "Symptom Table". GO TO 4.  
 NO >> GO TO 4.

**4.CHECK "N" POSITION FUNCTION**

1. Start engine.
2. Shift the selector lever to "N" position.
3. Release parking brake.

Does vehicle move forward or backward?

- YES >> Refer to TM-136, "Symptom Table". GO TO 5.  
 NO >> GO TO 5.

**5.CHECK SHIFT SHOCK**

1. Apply foot brake.
2. Shift the selector lever to "R" position.

Is there large shock when changing from "N" to "R" position?

- YES >> Refer to TM-136, "Symptom Table". GO TO 6.  
 NO >> GO TO 6.

**6.CHECK "R" POSITION FUNCTION**

Release foot brake for several seconds.

Does vehicle creep backward when foot brake is released?

- YES >> GO TO 7.  
 NO >> Refer to TM-136, "Symptom Table". GO TO 7.

**7.CHECK "D" POSITION FUNCTION**

Shift the selector lever to "D" position and check if vehicle creeps forward.

Does vehicle creep forward in "D" position?

- YES >> Go to TM-162, "Cruise Test".  
 NO >> Stop "Road Test". Refer to TM-136, "Symptom Table".

**Cruise Test**

INFOID:0000000006191624

**1.CHECK VEHICLE SPEED WHEN SHIFTING GEARS (PART 1)**

1. Drive vehicle for approximately 10 minutes to warm engine oil and CVT fluid up to operating temperature.

CVT fluid operating temperature : 50 – 80°C (122 – 176°F)

2. Park vehicle on flat surface.
3. Shift the selector lever to "P" position.
4. Start engine.
5. Shift the selector lever to "D" position.



ROAD TEST

[CVT: RE0F09B]

< ON-VEHICLE MAINTENANCE >

6. Accelerate vehicle at 2/8 throttle opening and check "Vehicle Speed When Shifting Gears".

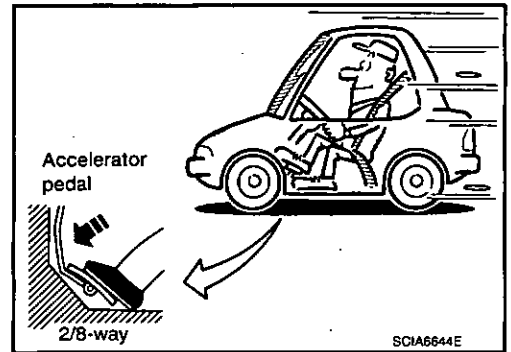
ⓐ With CONSULT-III

- Read vehicle speed and engine speed. Refer to TM-195, "Vehicle Speed When Shifting Gears".

Is the inspection result normal?

YES >> GO TO 2.

NO >> Refer to TM-136, "Symptom Table". GO TO 2.



2. CHECK VEHICLE SPEED WHEN SHIFTING GEARS (PART 2)

1. Park vehicle on flat surface.  
2. Shift the selector lever to "D" position.  
3. Accelerate vehicle at 8/8 throttle opening and check "Vehicle Speed When Shifting Gears".

ⓐ With CONSULT-III

- Read vehicle speed and engine speed. Refer to TM-195, "Vehicle Speed When Shifting Gears".

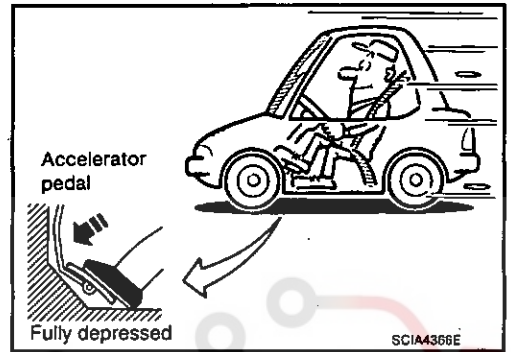
Is the inspection result normal?

YES-1 (Sport mode)>>GO TO 3.

YES-2 (Manual mode)>>GO TO 8.

NO-1 (Sport mode)>>Refer to TM-136, "Symptom Table". GO TO 3.

NO-2 (Manual mode)>>Refer to TM-136, "Symptom Table". GO TO 8.



3. CHECK SPORT MODE FUNCTION (PART 1)

1. Park vehicle on flat surface.  
2. Press sport mode switch.  
3. Accelerate vehicle at 2/8 throttle opening and check "Vehicle Speed When Shifting Gears".

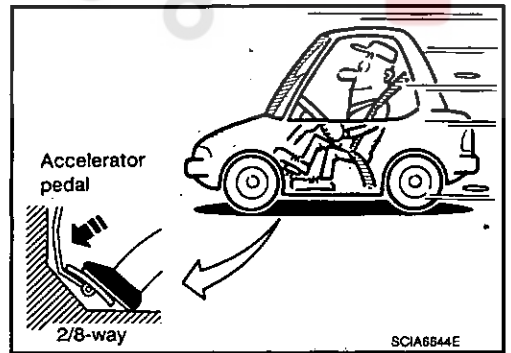
ⓐ With CONSULT-III

- Read vehicle speed and engine speed. Refer to TM-195, "Vehicle Speed When Shifting Gears".

Is the inspection result normal?

YES >> GO TO 4.

NO >> Refer to TM-136, "Symptom Table". GO TO 4.



4. CHECK SPORT MODE FUNCTION (PART 2)

1. Park vehicle on flat surface.  
2. Press sport mode switch.  
3. Accelerate vehicle at 8/8 throttle opening and check "Vehicle Speed When Shifting Gears".

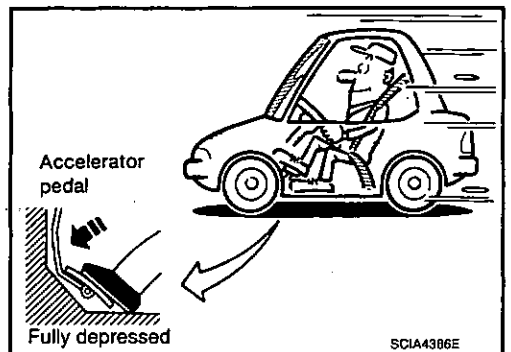
ⓐ With CONSULT-III

- Read vehicle speed and engine speed. Refer to TM-195, "Vehicle Speed When Shifting Gears".

Is the inspection result normal?

YES >> GO TO 5.

NO >> Refer to TM-136, "Symptom Table". GO TO 5.



## ROAD TEST

&lt; ON-VEHICLE MAINTENANCE &gt;

[CVT: RE0F09B]

**5. CHECK "L" POSITION FUNCTION (PART 1)**

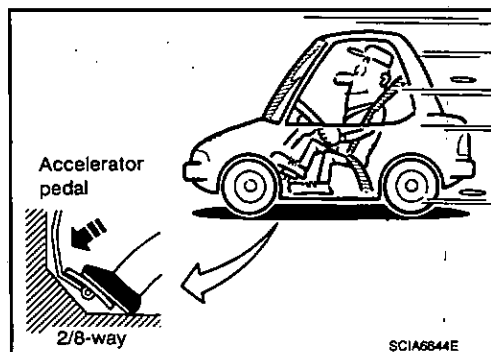
1. Park vehicle on flat surface.
2. Shift the selector lever to "L" position.
3. Accelerate vehicle at 2/8 throttle opening and check "Vehicle Speed When Shifting Gears".

## Ⓜ With CONSULT-III

- Read vehicle speed and engine speed. Refer to TM-195, "Vehicle Speed When Shifting Gears".

Is the inspection result normal?

- YES >> GO TO 6.  
NO >> Refer to TM-136, "Symptom Table". GO TO 6.

**6. CHECK "L" POSITION FUNCTION (PART 2)**

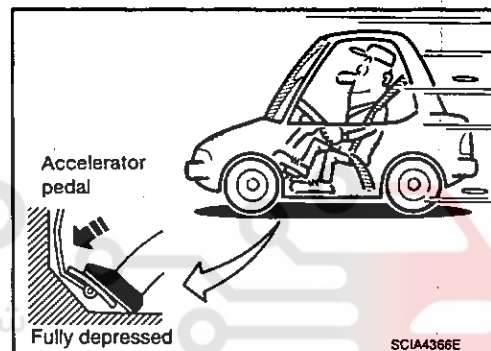
1. Park vehicle on flat surface.
2. Shift the selector lever to "L" position.
3. Accelerate vehicle at 8/8 throttle opening and check "Vehicle Speed When Shifting Gears".

## Ⓜ With CONSULT-III

- Read vehicle speed and engine speed. Refer to TM-195, "Vehicle Speed When Shifting Gears".

Is the inspection result normal?

- YES >> GO TO 7.  
NO >> Refer to TM-136, "Symptom Table". GO TO 7.

**7. CHECK ENGINE BRAKE FUNCTION**

Check engine brake.

Does engine braking effectively reduce vehicle speed in "L" position?

- YES >> 1. Stop the vehicle.  
2. Perform "SELF-DIAG RESULT" mode for "TRANSMISSION".  
NO >> Refer to TM-136, "Symptom Table". Then continue trouble diagnosis.

**8. CHECK MANUAL MODE FUNCTION**

Shift to manual mode from "D" position.

Does it switch to manual mode?

- YES >> GO TO 9.  
NO >> Refer to TM-136, "Symptom Table". GO TO 9.

**9. CHECK SHIFT-UP FUNCTION**

During manual mode driving, is upshift from M1 → M2 → M3 → M4 → M5 → M6 performed?

## Ⓜ With CONSULT-III

- Read gear position. Refer to TM-41, "CONSULT-III Function (TRANSMISSION)".

Is upshifting correctly performed?

- YES >> GO TO 10.  
NO >> Refer to TM-136, "Symptom Table". GO TO 10.

**10. CHECK SHIFT-DOWN FUNCTION**

During manual mode driving, is downshift from M6 → M5 → M4 → M3 → M2 → M1 performed?

## Ⓜ With CONSULT-III

- Read gear position. Refer to TM-41, "CONSULT-III Function (TRANSMISSION)".

## ROAD TEST

&lt; ON-VEHICLE MAINTENANCE &gt;

[CVT: RE0F09B]

Is downshifting correctly performed?

YES &gt;&gt; GO TO 11.

NO >> Refer to TM-136, "Symptom Table". GO TO 11.**11. CHECK ENGINE BRAKE FUNCTION.**

Check engine brake.

Does engine braking effectively reduce vehicle speed in M1 position?

YES &gt;&gt; 1. Stop the vehicle.

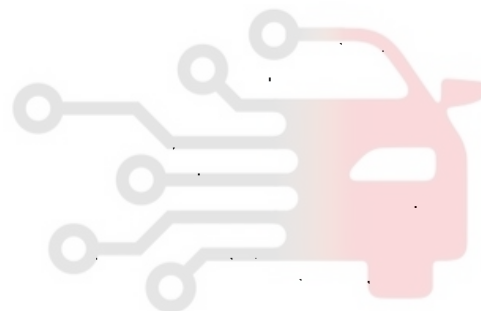
2. Perform "SELF-DIAG RESULT" mode for "TRANSMISSION".

NO >> Refer to TM-136, "Symptom Table". Then continue trouble diagnosis.

دیجیتال خودرو

شرکت دیجیتال خودرو سامانه (مسئولیت محدود)

اولین سامانه دیجیتال تعمیرکاران خودرو در ایران



A

B

C

TM

E

F

G

H

I

J

K

L

M

N

O

P

## CVT POSITION

&lt; ON-VEHICLE MAINTENANCE &gt;

[CVT: RE0F09B]

## CVT POSITION

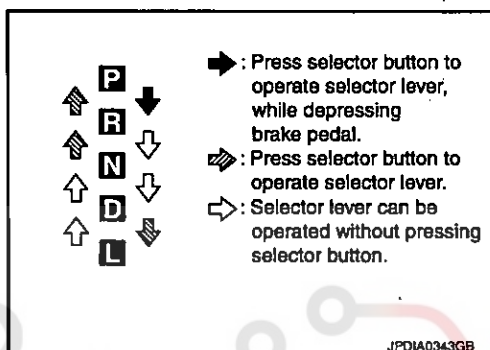
## SPORT MODE

## SPORT MODE : Inspection and Adjustment

INFOID:000000006191625

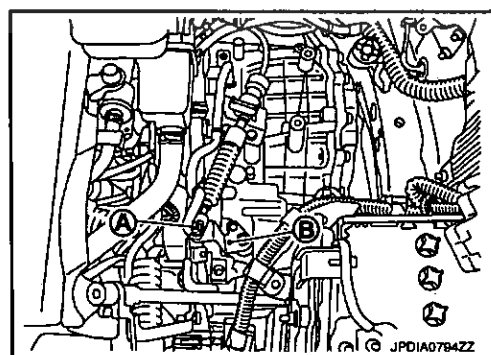
## INSPECTION

1. Shift selector lever to "P" position, and turn ignition switch ON (engine stop).
2. Check that selector lever can be shifted to other than "P" position when brake pedal is depressed. Also check that selector lever can be shifted from "P" position only when brake pedal is depressed.
3. Shift selector lever and check for excessive effort, sticking, noise or rattle.
4. Check that selector lever stops at each position with the feel of engagement when it is moved through all the positions. Check that the actual position of selector lever matches the position shown by shift position indicator and manual lever on the transaxle.
5. The method of operating selector lever to individual positions correctly should be as shown.
6. When selector button is pressed in "P", "R", "N", "D" or "L" position without applying forward/backward force to selector lever, check button operation for sticking.
7. Check that back-up lamps illuminate only when selector lever is placed in the "R" position.
8. When in "R" position, check that back-up lamps do not illuminate even when the selector lever is in the "P" position.  
**CAUTION:**  
**Check the lighting without pressing shift button.**
9. Check that back-up lamps do not illuminate when selector lever is pushed toward the "R" position when in the "P" or "N" position.  
**CAUTION:**  
**Check the lighting without pressing shift button.**
10. Check that the engine can only be started with selector lever in the "P" and "N" positions.
11. Check that transaxle is locked completely in "P" position.



## ADJUSTMENT

1. Shift selector lever to "P" position.  
**CAUTION:**  
**Turn wheels more than 1/4 rotations and apply the park lock.**
2. Loosen nut (A).
3. Place manual lever (B) to "P" position.  
**CAUTION:**  
**Never apply any force to manual lever.**
4. Tighten nut. Refer to TM-174. "Exploded View".  
**CAUTION:**  
**Fix manual lever when tightening.**



## MANUAL MODE

## MANUAL MODE : Inspection and Adjustment

INFOID:000000006191626

## INSPECTION

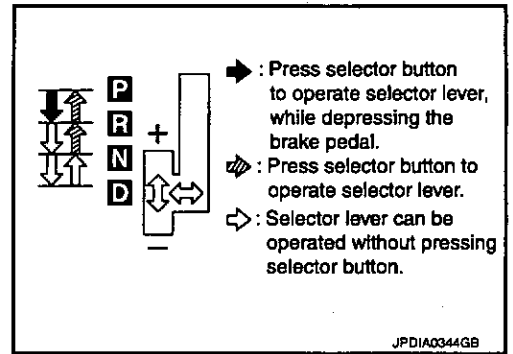
1. Shift selector lever to "P" position, and turn ignition switch ON (engine stop).
2. Check that selector lever can be shifted to other than "P" position when brake pedal is depressed. Also check that selector lever can be shifted from "P" position only when brake pedal is depressed.
3. Shift selector lever and check for excessive effort, sticking, noise or rattle.
4. Check that selector lever stops at each position with the feel of engagement when it is moved through all the positions. Check that the actual position of selector lever matches the position shown by shift position indicator and manual lever on the transaxle.

CVT POSITION

< ON-VEHICLE MAINTENANCE >

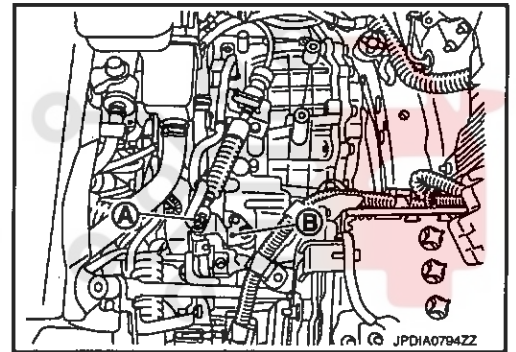
[CVT: RE0F09B]

5. The method of operating selector lever to individual positions correctly should be as shown.
6. When selector button is pressed in "P", "R" or "N" position without applying forward/backward force to selector lever, check button operation for sticking.
7. Check that back-up lamps illuminate only when selector lever is placed in the "R" position.
8. When in "R" position, check that back-up lamps illuminate even when the selector lever is in the "P" position.  
**CAUTION:**  
**Check the lighting without pressing shift button.**
9. Check that back-up lamps do not illuminate when selector lever is pushed toward the "R" position when in the "P" or "N" position.  
**CAUTION:**  
**Check the lighting without pressing shift button.**
10. Check that the engine can only be started with selector lever in the "P" and "N" positions.
11. Check that transaxle is locked completely in "P" position.
12. When selector lever is set to manual shift gate, check that manual mode is displayed on combination meter.  
Shift selector lever to "+" and "-" sides, and check that set shift position changes.



ADJUSTMENT

1. Shift selector lever to "P" position.  
**CAUTION:**  
**Turn wheels more than 1/4 rotations and apply the park lock.**
2. Loosen nut (A).
3. Place manual lever (B) to "P" position.  
**CAUTION:**  
**Never apply any force to manual lever.**
4. Tighten nut. Refer to TM-174. "Exploded View".  
**CAUTION:**  
**Fix manual lever when tightening.**





TRANSMISSION CONTROL MODULE

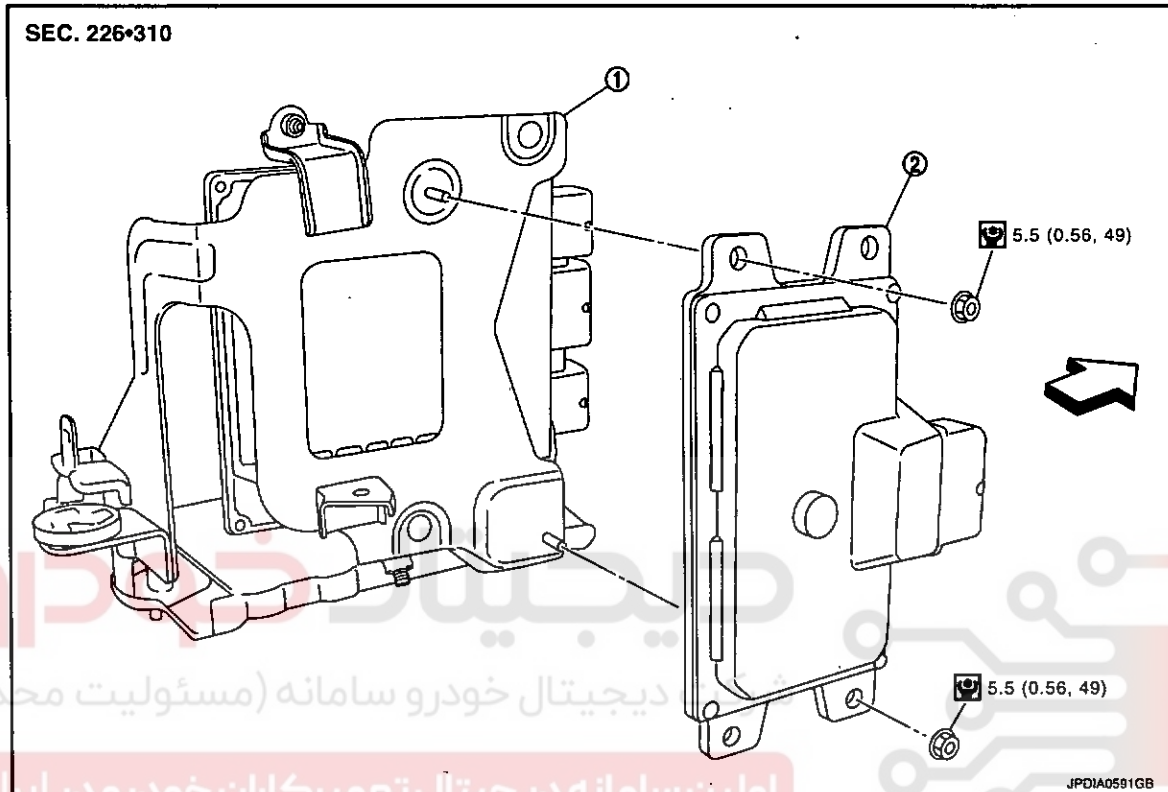
< ON-VEHICLE REPAIR >

[CVT: RE0F09B]

ON-VEHICLE REPAIR  
TRANSMISSION CONTROL MODULE

Exploded View

INFOID:000000006191627



- 1. Bracket
- 2. TCM

↔ : Vehicle front

Refer to GI-4, "Components" for symbols in the figure.

Removal and Installation

INFOID:000000006191629

REMOVAL

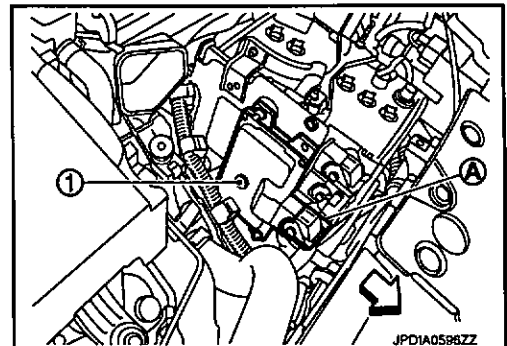
CAUTION:

Never impact on TCM when removing or installing TCM.

1. Disconnect the battery cable from the negative terminal.
2. Remove air duct (inlet). Refer to EM-27, "Exploded View".
3. Disconnect TCM connector (A).

↔ : Vehicle front

4. Remove TCM (1) from bracket.



INSTALLATION

Install in the reverse order of removal.



## TRANSMISSION CONTROL MODULE

&lt; ON-VEHICLE REPAIR &gt;

[CVT: RE0F09B]

## Adjustment

.INFOID.000000006191629

## ADJUSTMENT AFTER INSTALLATION

After TCM is replaced. Refer to TM-9. "ADDITIONAL SERVICE WHEN REPLACING CONTROL UNIT : Precaution for TCM and CVT Assembly Replacement".

A

B

C

TM

E

F

G

H

I

J

K

L

M

N

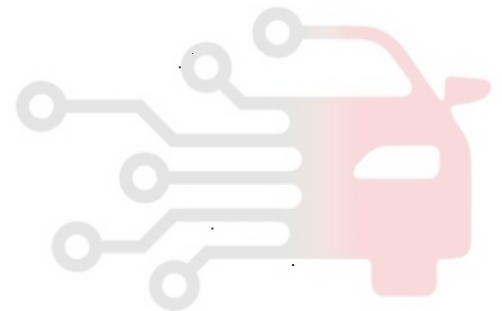
O

P

# دیجیتال خودرو

شرکت دیجیتال خودرو سامانه (مسئولیت محدود)

اولین سامانه دیجیتال تعمیرکاران خودرو در ایران



CONTROL DEVICE

< ON-VEHICLE REPAIR >

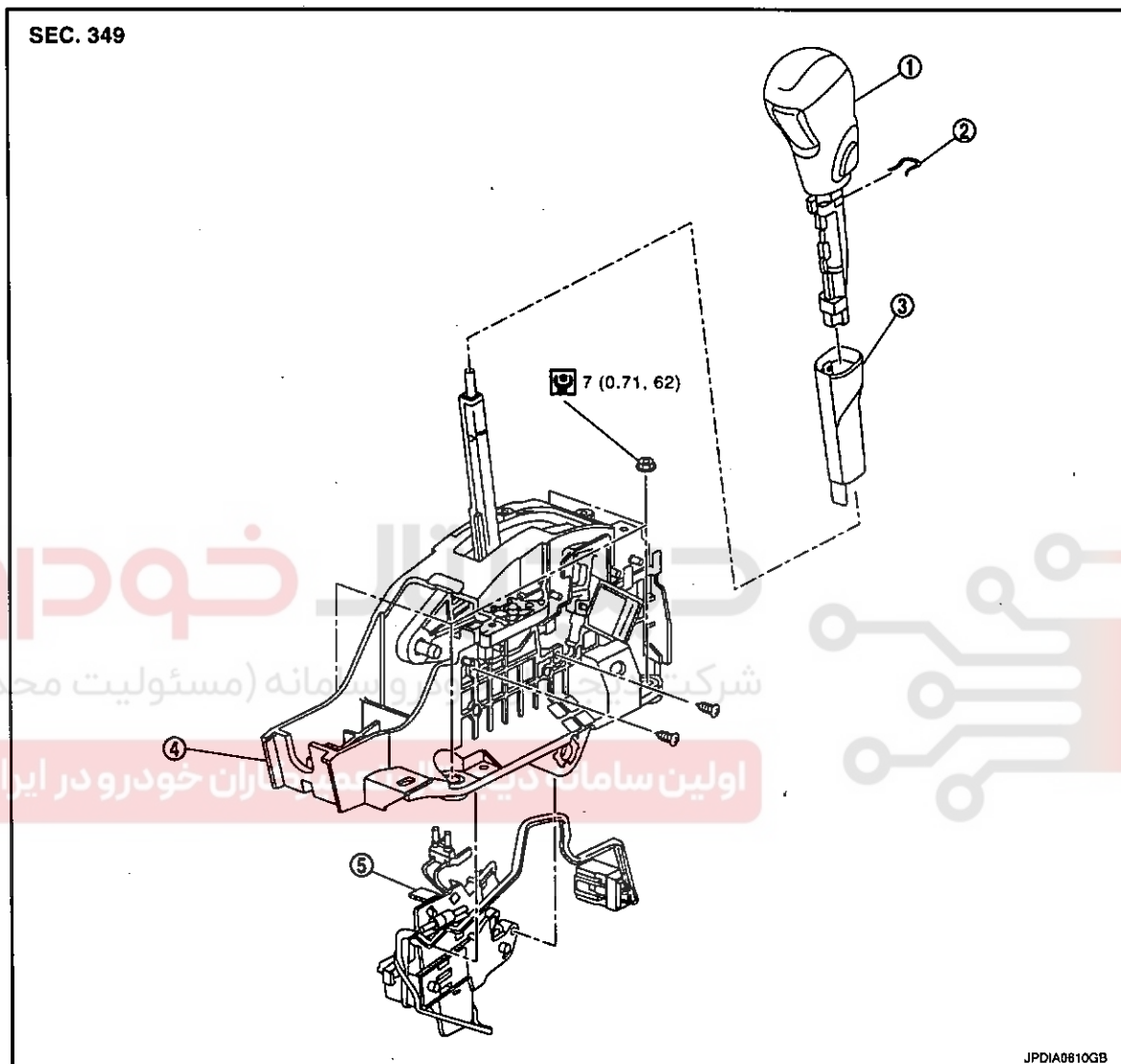
[CVT: RE0F09B]

CONTROL DEVICE

SPORT MODE

SPORT MODE : Exploded View

INFOID:000000006191630



- |                            |                    |               |
|----------------------------|--------------------|---------------|
| 1. Selector lever knob     | 2. Lock pin        | 3. Knob cover |
| 4. Control device assembly | 5. Shift lock unit |               |

Refer to GI-4, "Components" for symbols in the figure.

SPORT MODE : Removal and Installation

INFOID:000000006191631

REMOVAL

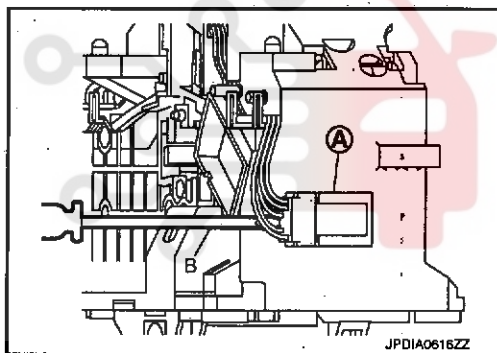
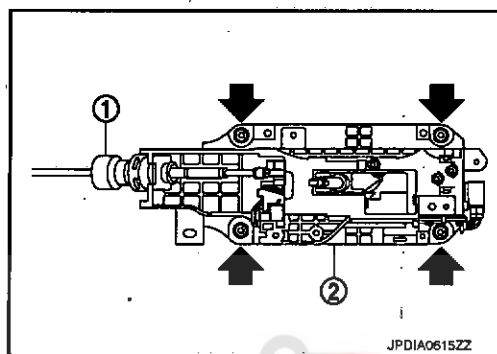
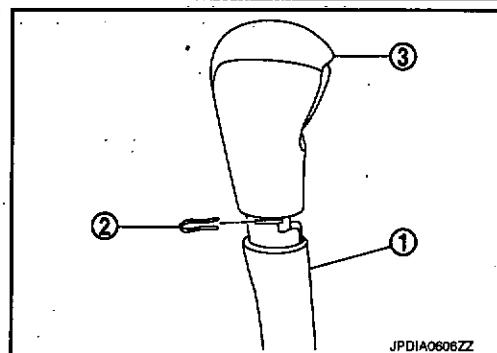
1. Disconnect the battery cable from the negative terminal.
2. Shift selector lever to "N" position.

CONTROL DEVICE

[CVT: RE0F09B]

< ON-VEHICLE REPAIR >

3. Slide knob cover (1) below selector lever downward.  
**CAUTION:**  
**Be careful not to damage knob cover.**
4. Pull lock pin (2) out of selector lever knob (3).
5. Remove selector lever knob and knob cover.
6. Remove center console assembly. Refer to IP-19, "Exploded View".
7. Shift selector lever to "P" position.
8. Remove control cable (1) from control device assembly. Refer to TM-174, "Exploded View".
9. Remove control device assembly (2).



10. Remove control device connector (A) using a flat-bladed screwdriver (B).
11. Remove shift lock unit from control device assembly.

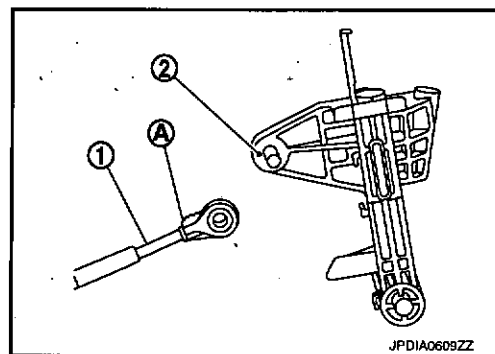
← : Nut

دیجیتال خودرو  
شرکت دیجیتال خودرو سامانه (مسئولیت محدود)

اولین سامانه دیجیتال تعمیرکاران خودرو در ایران

INSTALLATION

Note the following, and install in the reverse order of removal. When installing control cable (1) to control device assembly (2), check that control cable is fully pressed in with the ribbed (A) surface facing upward.



SPORT MODE : Inspection and Adjustment

ADJUSTMENT AFTER INSTALLATION

Adjust the CVT positions after installing control device. Refer to TM-166, "SPORT MODE : Inspection and Adjustment".

INSPECTION AFTER INSTALLATION

INFOID:000000006191632

CONTROL DEVICE

< ON-VEHICLE REPAIR >

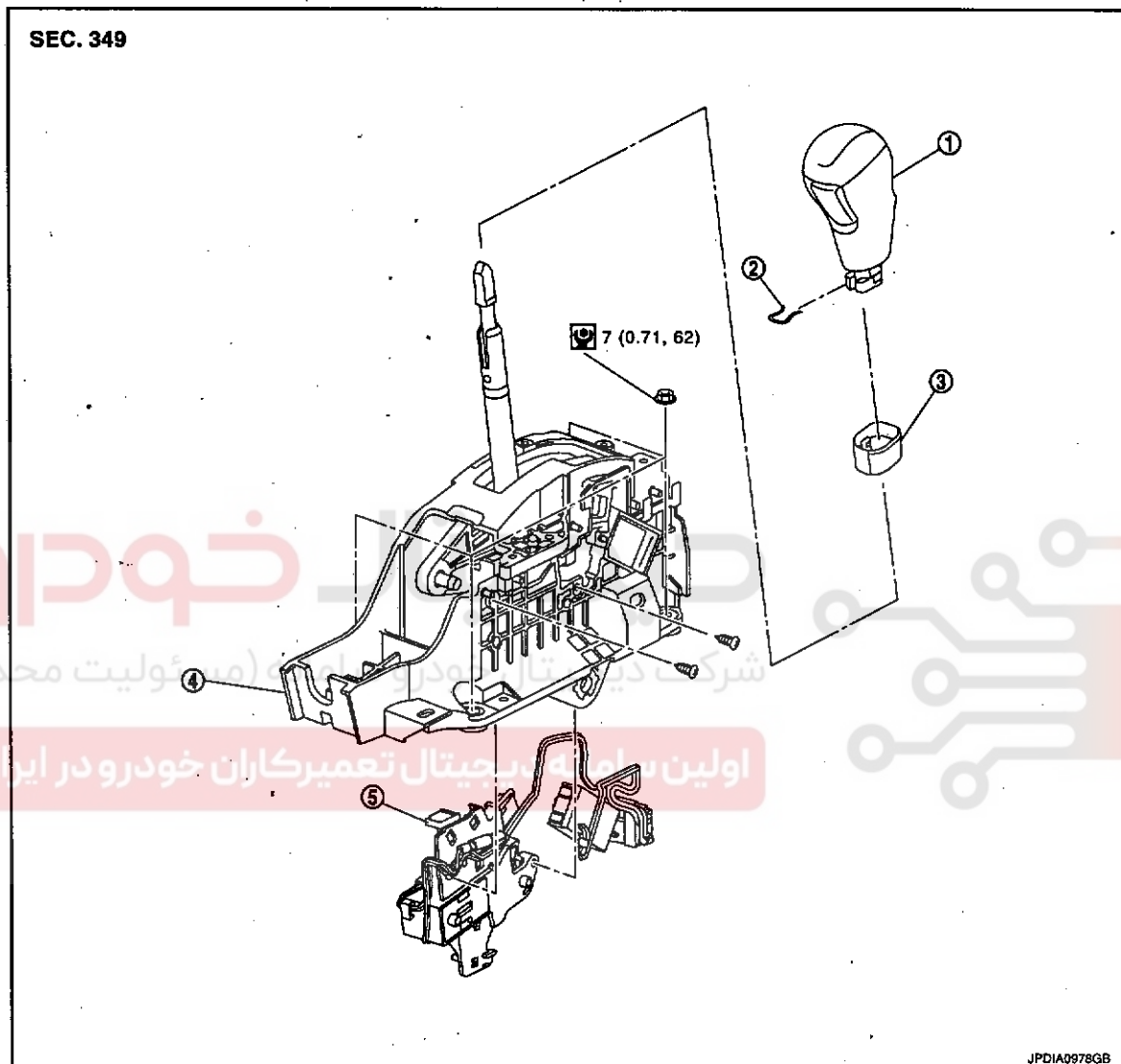
[CVT: RE0F09B]

Check the CVT positions after adjusting the CVT positions. Refer to TM-166, "SPORT MODE : Inspection and Adjustment".

MANUAL MODE

MANUAL MODE : Exploded View

INFOID:000000006191633



JPDIA0978GB

- |                            |                    |               |
|----------------------------|--------------------|---------------|
| 1. Selector lever knob     | 2. Lock pin        | 3. Knob cover |
| 4. Control device assembly | 5. Shift lock unit |               |

Refer to GI-4, "Components" for symbols in the figure.

MANUAL MODE : Removal and Installation

INFOID:000000006191634

REMOVAL

1. Disconnect the battery cable from the negative terminal.

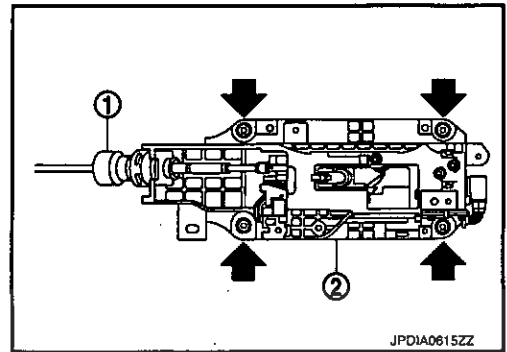
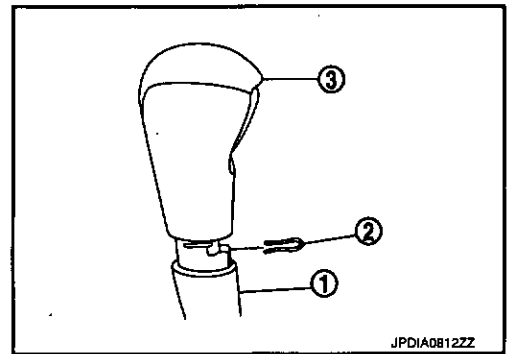
CONTROL DEVICE

[CVT: RE0F09B]

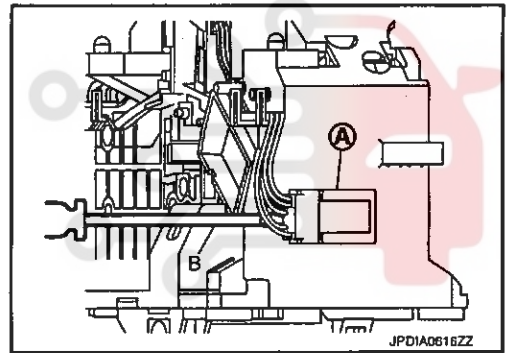
< ON-VEHICLE REPAIR >

2. Slide knob cover (1) below selector lever downward.  
**CAUTION:**  
**Be careful not to damage knob cover.**
3. Pull lock pin (2) out of selector lever knob (3).
4. Remove selector lever knob and knob cover.
5. Remove center console assembly. Refer to IP-19, "Exploded View".
6. Remove control cable (1) from control device assembly. Refer to TM-174, "Exploded View".
7. Remove control device assembly (2).

← : Nut

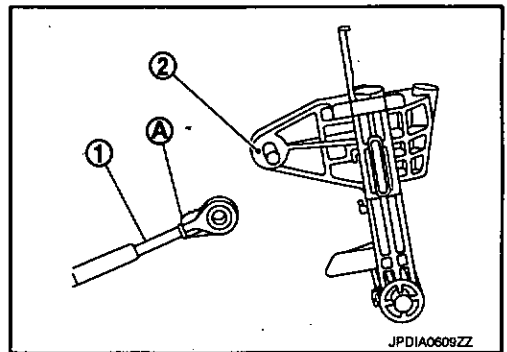


8. Remove control device connector (A) using a flat-bladed screwdriver (B).  
**CAUTION:**  
**Be careful not to damage control device connector.**
9. Remove shift lock unit from control device assembly.



INSTALLATION

Note the following, and install in the reverse order of removal. When installing control cable (1) to control device assembly (2), check that control cable is fully pressed in with the ribbed (A) surface facing upward.



MANUAL MODE : Inspection and Adjustment

INFOID:000000006191635

ADJUSTMENT AFTER INSTALLATION

Adjust the CVT positions after installing control device. Refer to TM-166, "MANUAL MODE : Inspection and Adjustment".

INSPECTION AFTER INSTALLATION

Check the CVT positions after adjusting the CVT positions. Refer to TM-166, "MANUAL MODE : Inspection and Adjustment".

A  
B  
C  
TM  
E  
F  
G  
H  
I  
J  
K  
L  
M  
N  
O  
P

CONTROL CABLE

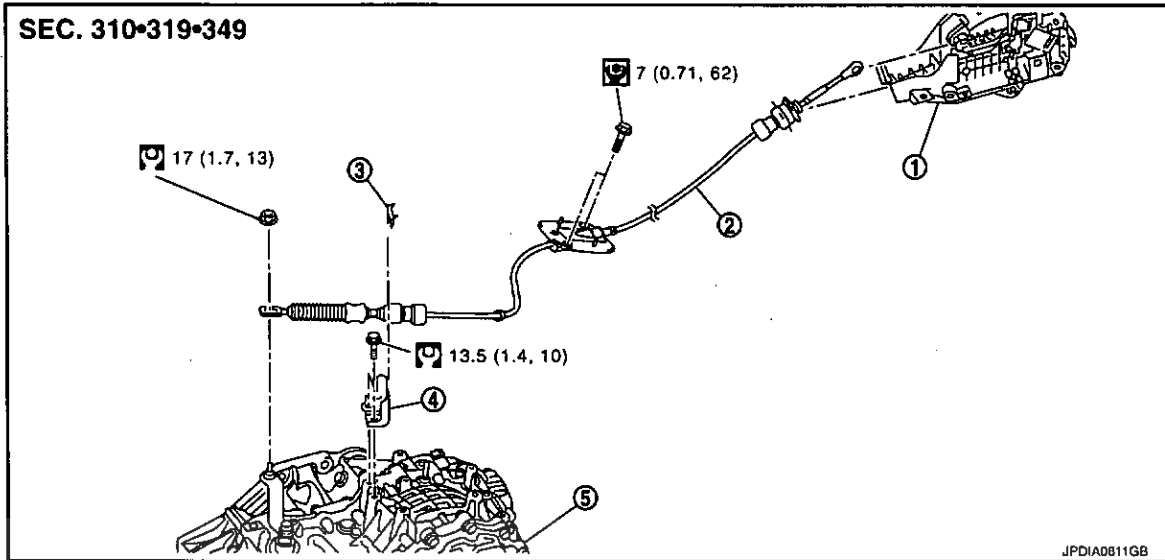
< ON-VEHICLE REPAIR >

[CVT: RE0F09B]

CONTROL CABLE

Exploded View

INFOID:000000006191636



- |                            |                       |               |
|----------------------------|-----------------------|---------------|
| 1. Control device assembly | 2. Control cable      | 3. Lock plate |
| 4. Bracket                 | 5. Transaxle assembly |               |

Refer to GI-4, "Components" for symbols in the figure.

Removal and Installation

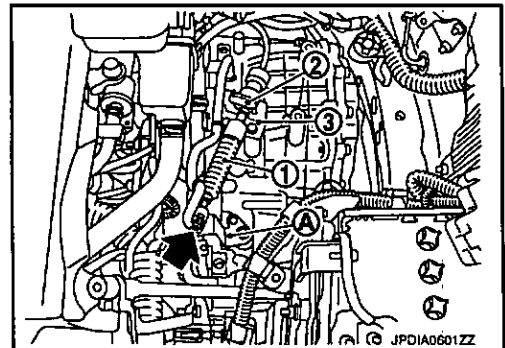
INFOID:000000006191637

REMOVAL

CAUTION:

Check that parking brake is applied before removal/installation.

1. Remove control cable from control device assembly. Refer to TM-170, "SPORT MODE : Exploded View" (Sport mode), TM-172, "MANUAL MODE : Exploded View" (Manual mode).
2. Remove air duct (inlet). Refer to EM-27, "Exploded View".
3. Remove battery and battery bracket. Refer to PG-129, "Exploded View".
4. Remove air cleaner case. Refer to EM-27, "Exploded View".
5. Remove nut (←).
6. Remove control cable (1) from manual lever (A).
7. Remove lock plate (2) from control cable.
8. Remove control cable from bracket (3).
9. Remove rear foot duct 1 (right). Refer to VTL-10, "Exploded View".





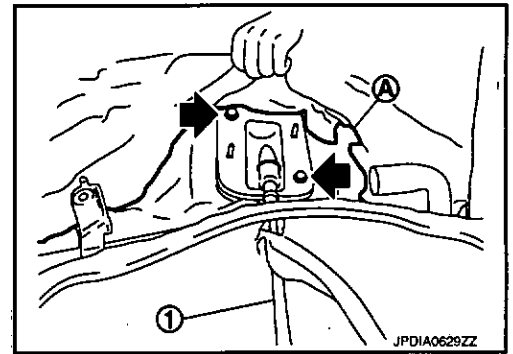
CONTROL CABLE

< ON-VEHICLE REPAIR >

[CVT: RE0F09B]

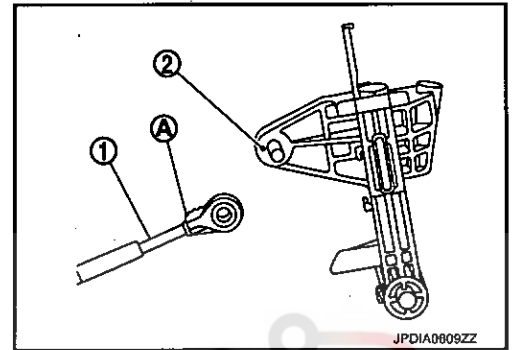
10. Remove the control cable (1) from the vehicle.

- A : Dash trim
- ← : Bolt



INSTALLATION

Note the following, and install in the reverse order of removal. When installing control cable (1) to control device assembly (2), check that control cable is fully pressed in with the ribbed (A) surface facing upward.



Inspection and Adjustment

ADJUSTMENT AFTER INSTALLATION

Adjust the CVT positions after installing control cable. Refer to TM-166, "SPORT MODE : Inspection and Adjustment" (Sport mode), TM-166, "MANUAL MODE : Inspection and Adjustment" (Manual mode).

INSPECTION AFTER INSTALLATION

Check the CVT positions after adjusting the CVT positions. Refer to TM-166, "SPORT MODE : Inspection and Adjustment" (Sport mode), TM-166, "MANUAL MODE : Inspection and Adjustment" (Manual mode).

A  
B  
C  
TM  
E  
F  
G  
H  
I  
J  
K  
L  
M  
N  
O  
P

OIL PAN

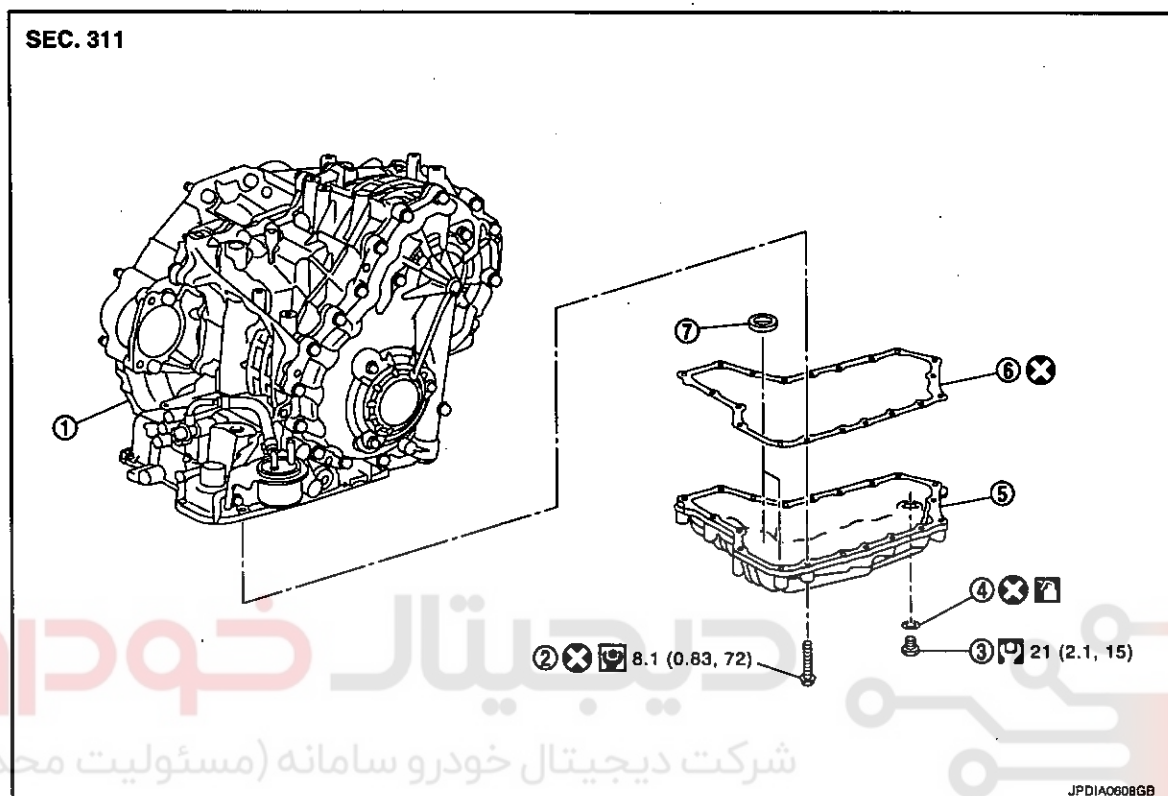
< ON-VEHICLE REPAIR >

[CVT: RE0F09B]

OIL PAN

Exploded View

INFOID:000000006191639



- |                       |                         |                   |
|-----------------------|-------------------------|-------------------|
| 1. Transaxle assembly | 2. Oil pan fitting bolt | 3. Drain plug     |
| 4. O-ring             | 5. Oil pan              | 6. Oil pan gasket |
| 7. Magnet             |                         |                   |

: Apply CVT Fluid NS-2.

Refer to GI-4. "Components" for symbols in the figure.

Removal and Installation

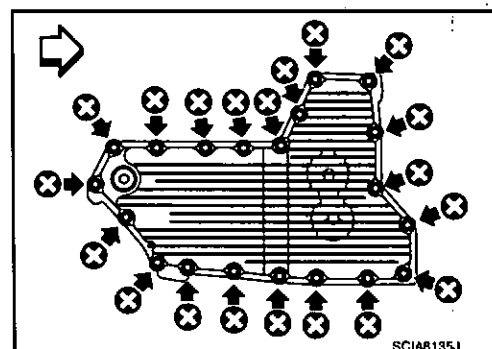
INFOID:000000006191640

REMOVAL

1. Remove engine under cover. Refer to EXT-28. "Exploded View".
2. Remove drain plug.
3. Remove O-ring from drain plug.
4. Remove oil pan fitting bolts (←).

← : Vehicle front

5. Remove oil pan.

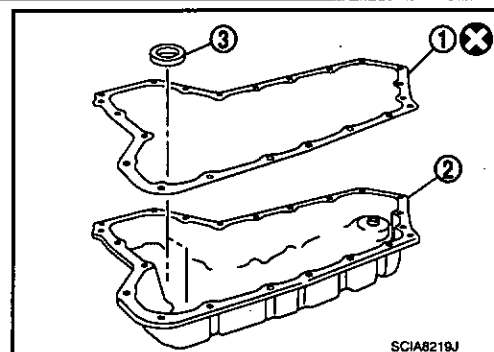


## OIL PAN

[CVT: RE0F09B]

## &lt; ON-VEHICLE REPAIR &gt;

6. Remove oil pan gasket (1) from oil pan (2).
7. Remove magnet (3) from oil pan.



## INSTALLATION

Note the following, and install in the reverse order of removal.

**CAUTION:**

- Completely remove all moisture, oil and old gasket, etc. from the oil pan gasket mounting surface of transaxle case and oil pan.
- Never reuse oil pan gasket, O-ring and oil pan fitting bolts.
- Apply CVT fluid to O-ring.

## Inspection

INFOID:000000006191641

## INSPECTION AFTER REMOVAL

Check foreign materials in oil pan to help determine causes of malfunction. If the CVT fluid is very dark, smells burned, or contains foreign particles, frictional material (clutches) may need replacement. A tacky film that will not wipe clean indicates varnish build up. Varnish can cause valves and clutches to stick and can inhibit pump pressure.

## INSPECTION AFTER INSTALLATION

Check for CVT fluid leakage and check CVT fluid level. Refer to [TM-155](#), "Inspection".

اولین سامانه دیجیتال تعمیرکاران خودرو در ایران

SECONDARY SPEED SENSOR

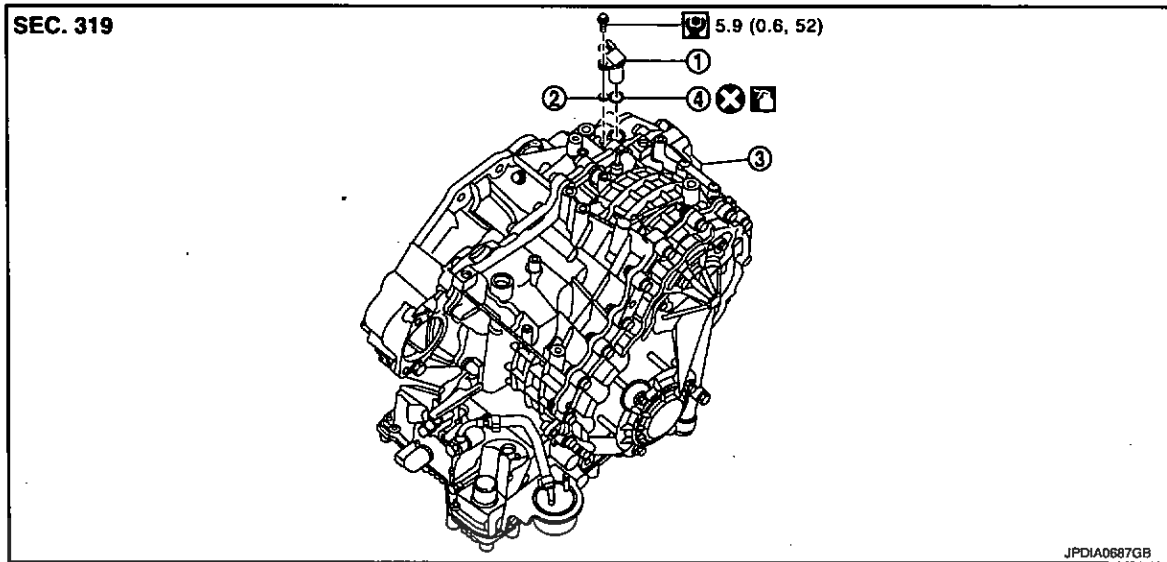
< ON-VEHICLE REPAIR >

[CVT: RE0F09B]

SECONDARY SPEED SENSOR

Exploded View

INFOID:000000006191642



1. Secondary speed sensor                      2. Shim    3. Transaxle assembly

4. O-ring

: Apply CVT Fluid NS-2.

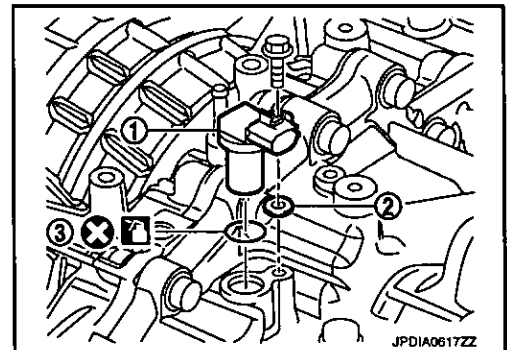
Refer to GI-4, "Components" for symbols not described above.

Removal and Installation

INFOID:000000006191643

REMOVAL اولین سامانه دیجیتال تعمیرکاران خودرو

1. Disconnect the battery cable from negative terminal.
2. Remove air duct (inlet). Refer to EM-27, "Exploded View".
3. Remove air cleaner case. Refer to EM-27, "Exploded View".
4. Disconnect secondary speed sensor connector.
5. Remove secondary speed sensor (1) and shim (2).  
**CAUTION:**  
**Never lose the shim.**
6. Remove O-ring (3) from secondary speed sensor.



INSTALLATION

Note the following, and install in the reverse order of removal.

**CAUTION:**

- Never reuse O-ring.
- Apply CVT fluid to O-ring.

Inspection

INFOID:000000006191644

INSPECTION AFTER INSTALLATION

Check for CVT fluid leakage and check CVT fluid level. Refer to TM-155, "Inspection".

DIFFERENTIAL SIDE OIL SEAL

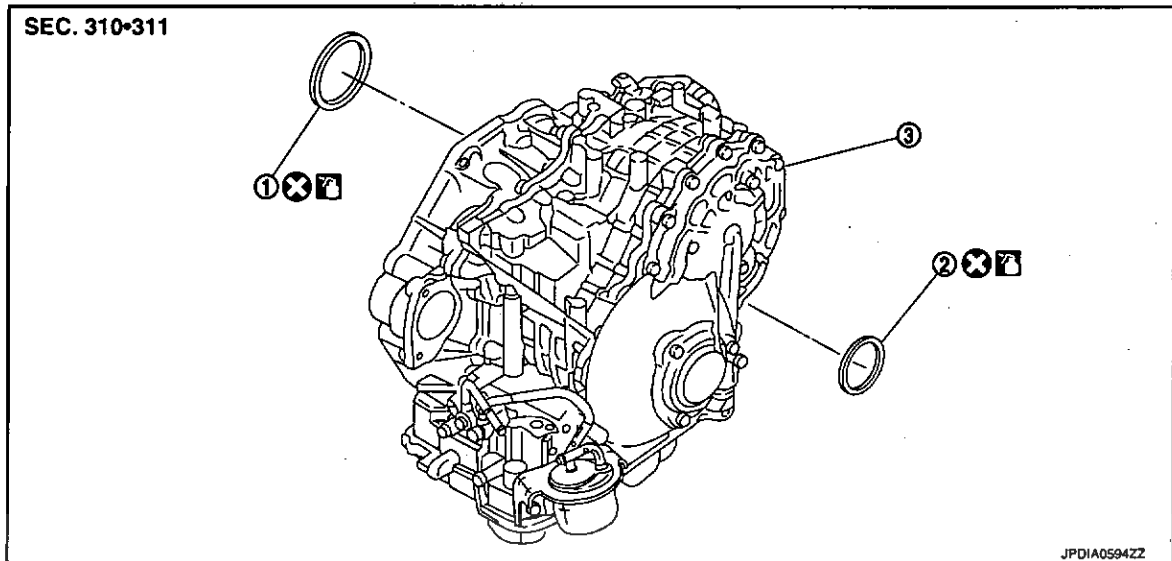
< ON-VEHICLE REPAIR >

[CVT: RE0F09B]

DIFFERENTIAL SIDE OIL SEAL

Exploded View

INFOID.000000006191645



- 1. Side oil seal (transfer joint)
- 2. LH differential side oil seal
- 3. Transaxle assembly

: Apply CVT Fluid NS-2.

Refer to GI-4, "Components" for symbols not described above.

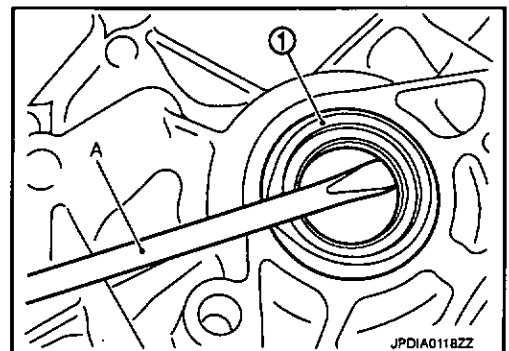
Removal and Installation

REMOVAL

1. Remove exhaust front tube. Refer to EX-5, "Exploded View".
2. Separate propeller shaft. Refer to DLN-79, "Exploded View".
3. Remove front drive shafts. Refer to FAX-15, "Exploded View".
4. Remove transfer from transaxle assembly. Refer to DLN-51, "Exploded View".
5. Remove differential side oil seal (1) and side oil seal (transfer joint) using a flat-bladed screwdriver (A).

CAUTION:

Be careful not to scratch transaxle case and converter housing.



INSTALLATION

Note the following, and install in the reverse order of removal.

A  
B  
C  
TM  
E  
F  
G  
H  
I  
J  
K  
L  
M  
N  
O  
P

**DIFFERENTIAL SIDE OIL SEAL**

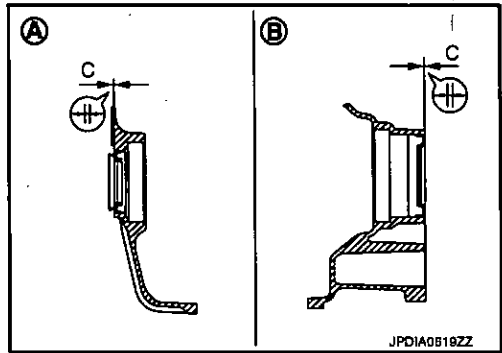
< ON-VEHICLE REPAIR >

[CVT: RE0F09B]

- Drive each differential side oil seal and side oil seal (transfer joint) evenly using a commercial service tool so that differential side oil seal and side oil seal (transfer joint) protrudes by the dimension (C) respectively.

- A : Transaxle case side
- B : Converter housing side

Unit: mm (in)



Dimension C	0 ± 0.5 (0 ± 0.020)
-------------	---------------------

**NOTE:**

Differential side oil seal and side oil seal (transfer joint) pulling direction is used as the reference.

**CAUTION:**

- Never reuse differential side oil seals and side oil seal (transfer joint).
- Apply CVT fluid to differential side oil seals and side oil seal (transfer joint).

**Drift to be used:**

Location	Tool number
Differential side oil seal	ST33400001
Side oil seal (transfer joint)	KV40100621

**Inspection**

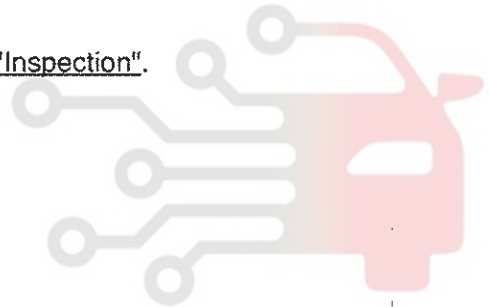
INFOID:000000006191847

**INSPECTION AFTER INSTALLATION**

Check for CVT fluid leakage and check CVT fluid level. Refer to TM-155, "Inspection".

شرکت دیجیتال خودرو سامانه (مسئولیت محدود)

اولین سامانه دیجیتال تعمیرکاران خودرو در ایران





AIR BREATHER HOSE

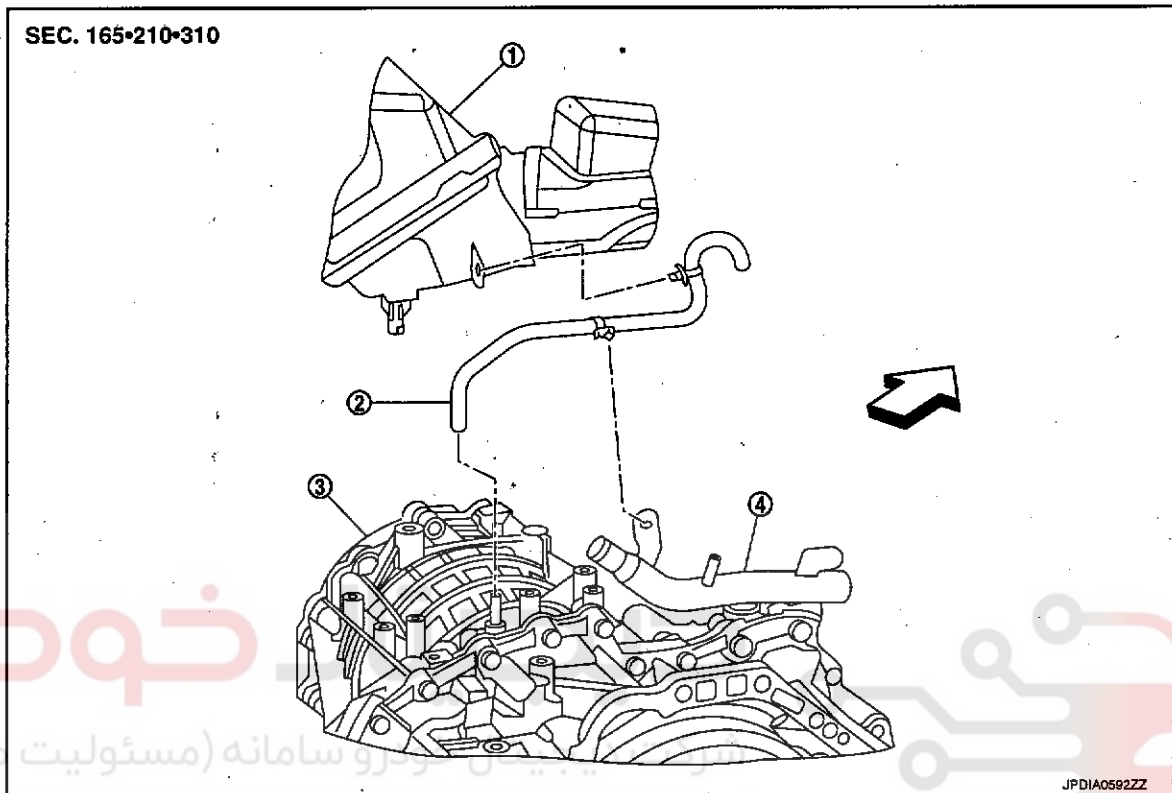
< ON-VEHICLE REPAIR >

[CVT: RE0F09B]

AIR BREATHER HOSE

Exploded View

INFOID:000000006191648



1. Air cleaner case

2. Air breather hose

3. Transaxle assembly

4. Heater pipe

⇐ : Vehicle front

Removal and Installation

INFOID:000000006191649

REMOVAL

1. Remove air duct (inlet). Refer to EM-27, "Exploded View".
2. Remove air cleaner case. Refer to EM-27, "Exploded View".
3. Remove air breather hose from transaxle assembly.

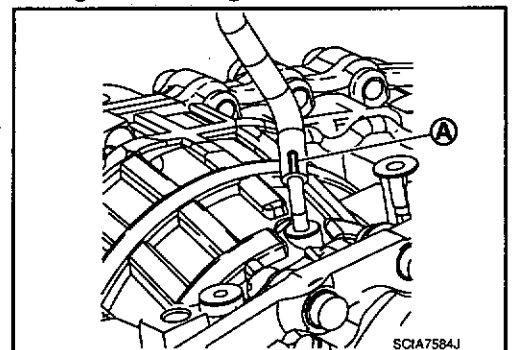
INSTALLATION

Note the following, and install in the reverse order of removal.

CAUTION:

**Check that air breather hose is not collapsed or blocked due to folding or bending when installed.**

- Install air breather hose to air breather tube so that the paint mark (A) faces upward. Also insert hose to the bend of air breather tube.



FLUID COOLER SYSTEM

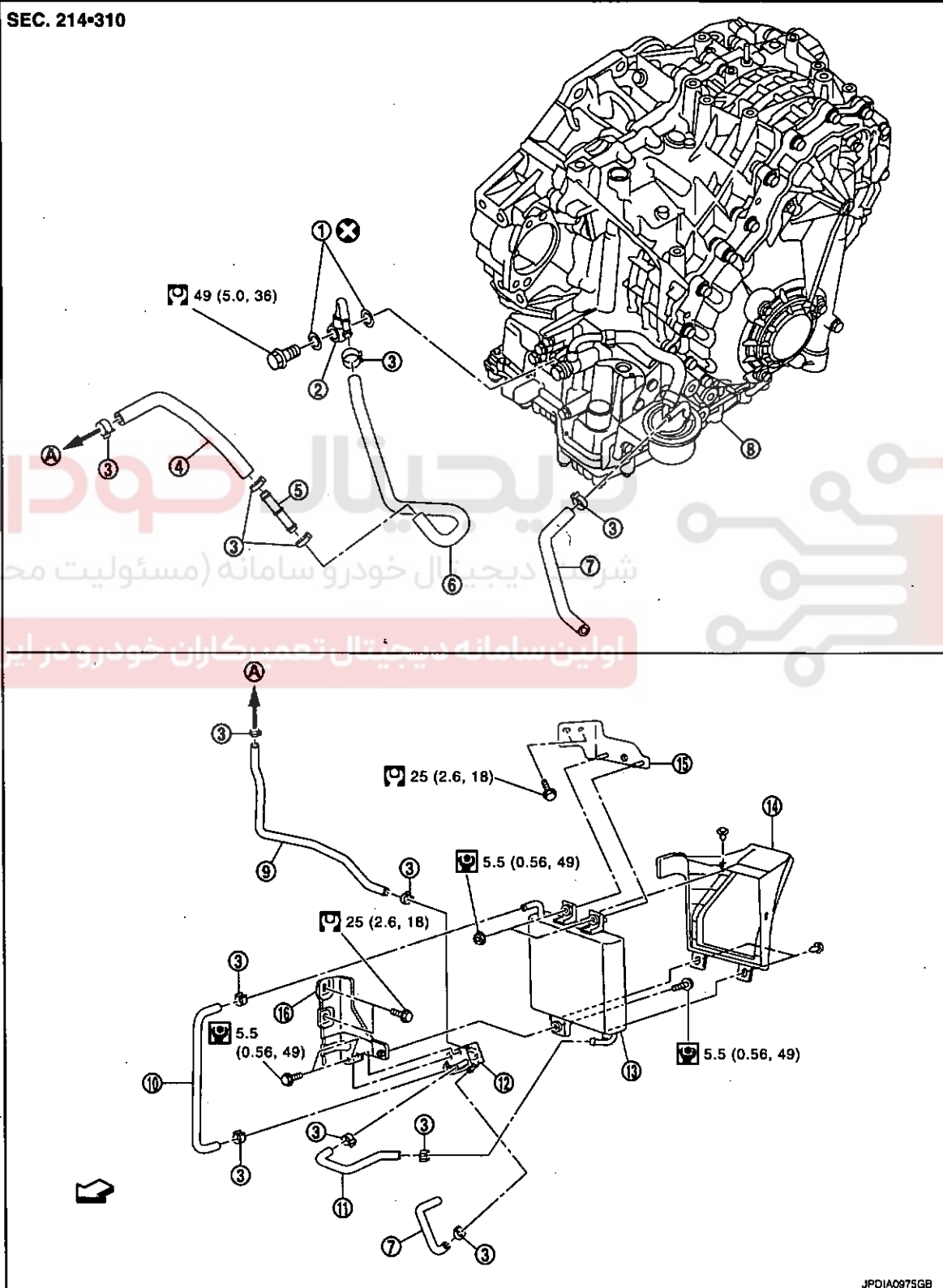
< ON-VEHICLE REPAIR >

[CVT: RE0F09B]

FLUID COOLER SYSTEM  
WITH FLUID COOLER

WITH FLUID COOLER : Exploded View

INFOID:000000008191650



FLUID COOLER SYSTEM

< ON-VEHICLE REPAIR >

[CVT: RE0F09B]

- |                         |                          |                        |   |
|-------------------------|--------------------------|------------------------|---|
| 1. Copper washer        | 2. CVT fluid cooler tube | 3. Hose clamp          | A |
| 4. Fluid cooler hose A  | 5. Fluid cooler tube     | 6. Fluid cooler hose B |   |
| 7. Fluid cooler hose C  | 8. Transaxle assembly    | 9. Fluid cooler hose D | B |
| 10. Fluid cooler hose E | 11. Fluid cooler hose F  | 12. Bypass valve       |   |
| 13. Fluid cooler        | 14. Air guide            | 15. Bracket A          | C |
| 16. Bracket B           |                          |                        |   |
| A. To radiator          |                          |                        |   |

↔: Vehicle side

Refer to GI-4, "Components" for symbols in the figure.

WITH FLUID COOLER : Removal and Installation

INFOID:000000006191651

REMOVAL

1. Remove engine under cover. Refer to EXT-28, "Exploded View".
2. Remove front bumper assembly. Refer to EXT-12, "Exploded View".
3. Remove air guide from fluid cooler.
4. Remove fluid cooler hose E and fluid cooler hose F.
5. Remove fluid cooler.
6. Remove air duct (inlet). Refer to EM-27, "Exploded View".
7. Remove fluid cooler hose C and fluid cooler hose D.
8. Remove bypass valve from bracket B.
9. Remove fluid cooler hose A and fluid cooler hose B.
10. Remove fluid cooler tube.
11. Remove bracket A and bracket B.
12. Remove CVT fluid cooler tube from transaxle assembly.

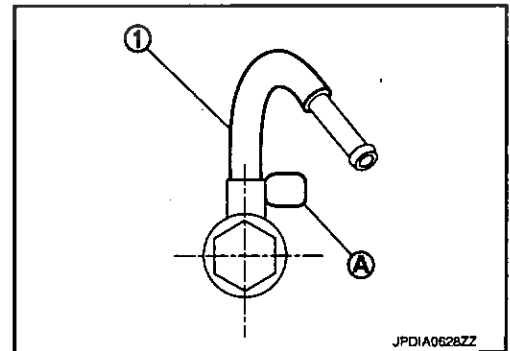
INSTALLATION

Note the following, and install in the reverse order of removal.

**CAUTION:**

**Never reuse copper washer.**

- When installing CVT fluid cooler tube (1) to transaxle assembly:
- Contact CVT fluid cooler tube a boss portion (A) of the transaxle case.
- Tighten the bolt of CVT fluid cooler tube without moving the CVT fluid cooler tube



- Refer to the followings when installing fluid cooler hose.

Fluid cooler hose	Hose end	Paint mark	Position of hose clamp
A	Radiator assembly side	Facing upward	A
	Fluid cooler tube side	Facing upward	A
B	Fluid cooler tube side	Facing upward	A
	CVT fluid cooler tube side	Facing upward	A
C	Transaxle assembly side	Facing upward	B
	Bypass valve side	Facing to the left of the vehicle	B

FLUID COOLER SYSTEM

< ON-VEHICLE REPAIR >

[CVT: RE0F09B]

Fluid cooler hose	Hose end	Paint mark	Position of hose clamp
D	Radiator assembly side	Facing to the left of the vehicle	C
	Bypass valve side	Facing backward	D
E	Fluid cooler side	Facing upward	A
	Bypass valve side	Facing downward	E
F	Bypass valve side	Facing downward	E
	Fluid cooler side	Facing forward	B

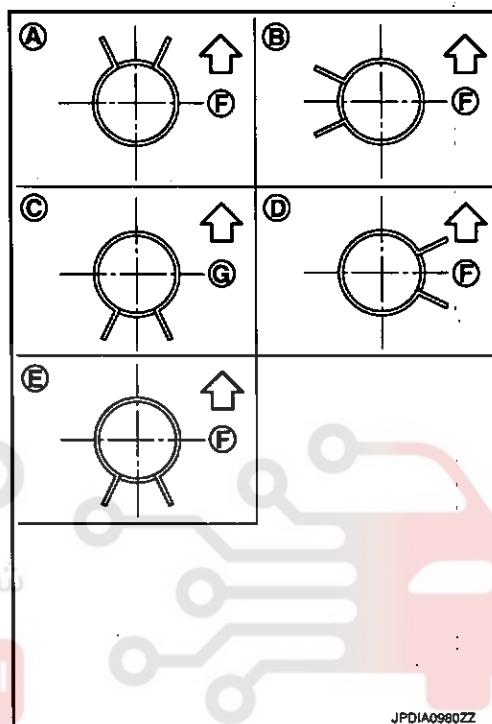
\*: Refer to the illustrations for the specific position each hose clamp tab.

- The illustrations indicate the view from the hose ends.

↔ F : Vehicle upper

↔ G : Vehicle front

- When installing hose clamps center line of each hose clamp tab should be positioned as shown in the figure.



دیجیتال خودرو  
شرکت دیجیتال خودرو سامانه (مسئولیت محدود)  
اولین سامانه دیجیتال تعمیرکاران خودرو در ایران

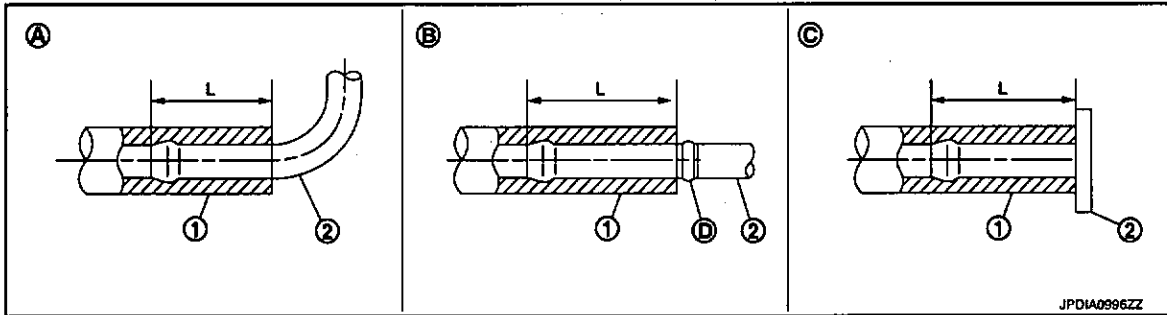
- Insert fluid cooler hose according to dimension (L) described below.

(1)	(2)	Tube type	Dimension L
Fluid cooler hose A	Radiator assembly side	C	Insert the hose until the hose touches the radiator.
	Fluid cooler tube side	B	
Fluid cooler hose B	Fluid cooler tube side	B	28 mm (1.10 in) [End reaches the spool portion (D).]
	CVT fluid cooler tube side	A	
Fluid cooler hose C	Transaxle assembly side	A	End reaches the radius curve end.
	Bypass valve side	A	
Fluid cooler hose D	Radiator assembly side	A	End reaches the radius curve end.
	Bypass valve side	A	
Fluid cooler hose E	Fluid cooler side	A	28 mm (1.10 in) (Insert the hose until the hose touches the bypass valve.)
	Bypass valve side	C	
Fluid cooler hose F	Bypass valve side	C	End reaches the radius curve end.
	Fluid cooler side	A	

FLUID COOLER SYSTEM

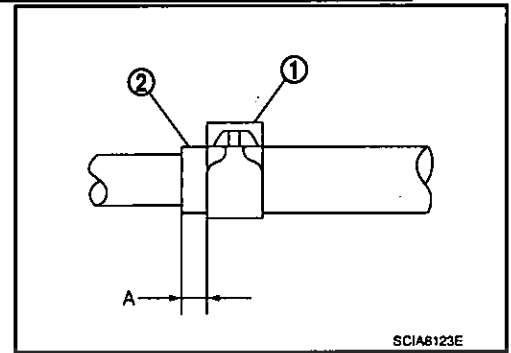
< ON-VEHICLE REPAIR >

[CVT: RE0F09B]



- Set hose clamps (1) at the both ends of fluid cooler hose (2) with dimension (A) from the hose edge.

(1)	(2)	Dimension A
Fluid cooler hose A	Radiator assembly side	5 – 9 mm (0.20 – 0.35 in)
	Fluid cooler tube side -	
Fluid cooler hose B	Fluid cooler tube side	5 mm (0.20 in)
	CVT fluid cooler tube side	
Fluid cooler hose C	Transaxle assembly side	5 mm (0.20 in)
	Bypass valve side	
Fluid cooler hose D	Radiator assembly side	5 – 9 mm (0.20 – 0.35 in)
	Bypass valve side	
Fluid cooler hose E	Fluid cooler side	5 mm (0.20 in)
	Bypass valve side	
Fluid cooler hose F	Bypass valve side	5 mm (0.20 in)
	Fluid cooler side	



- Hose clamp should not interfere with the bulge of fluid cooler tube.

WITH FLUID COOLER : Inspection

INSPECTION AFTER INSTALLATION

Check for CVT fluid leakage and CVT fluid level. Refer to TM-155, "Inspection".

WITHOUT FLUID COOLER

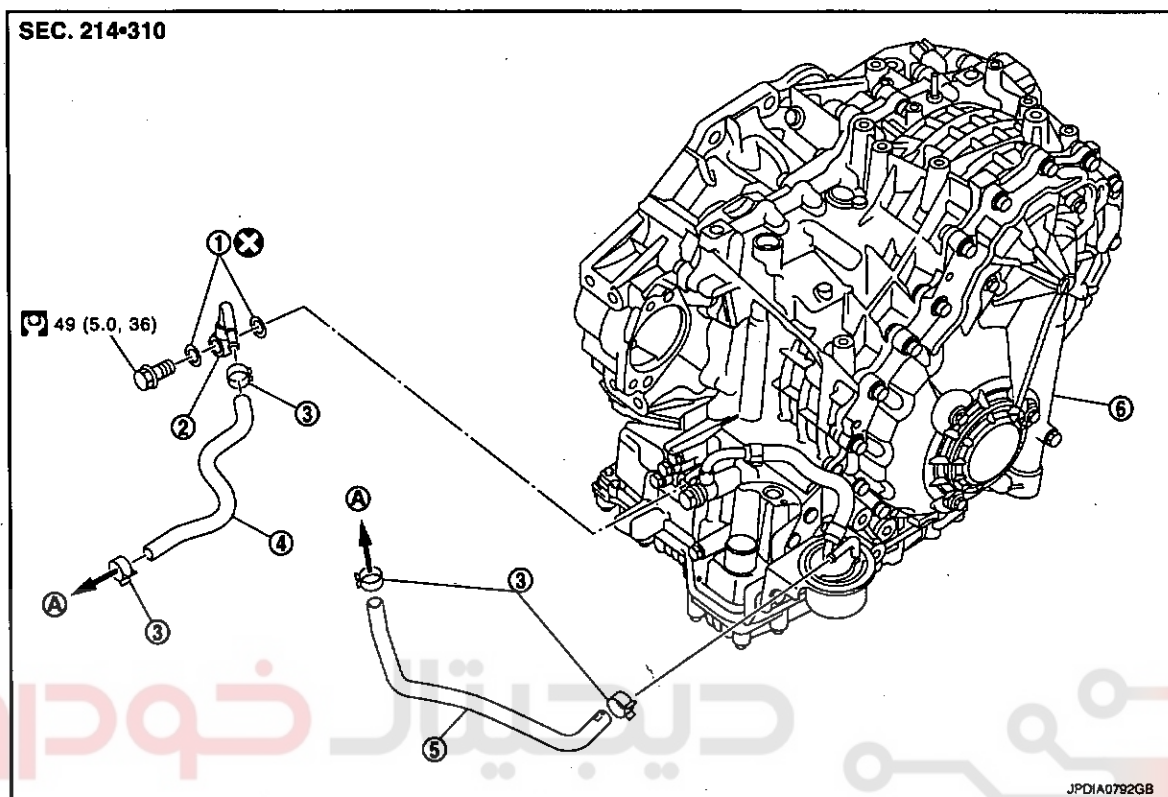
FLUID COOLER SYSTEM

< ON-VEHICLE REPAIR >

[CVT: RE0F09B]

WITHOUT FLUID COOLER : Exploded View

INFOID:000000006191653



- |                        |                        |                       |
|------------------------|------------------------|-----------------------|
| 1. Copper washer       | 2. Fluid cooler tube   | 3. Hose clamp         |
| 4. Fluid cooler hose A | 5. Fluid cooler hose B | 6. Transaxle assembly |
- A. To radiator assembly  
Refer to GI-4, "Components" for symbols in the figure.

WITHOUT FLUID COOLER : Removal and Installation

INFOID:000000006191654

REMOVAL

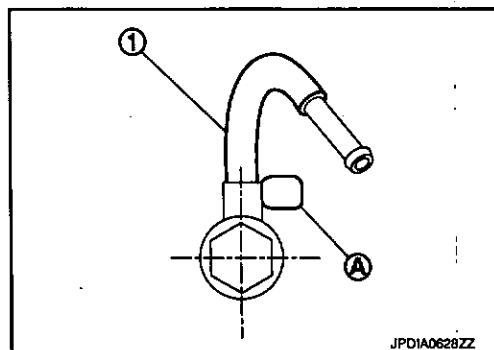
1. Remove front under cover. Refer to EXT-28, "Exploded View".
2. Remove fender protector (left side). Refer to EXT-25, "FENDER PROTECTOR : Exploded View".
3. Remove air duct (inlet). Refer to EM-27, "Exploded View".
4. Remove fluid cooler hose A and fluid cooler hose B.
5. Remove fluid cooler tube.

INSTALLATION

Note the following, and install in the reverse order of removal.

When installing CVT fluid cooler tube (1) to transaxle assembly:

- Contact CVT fluid cooler tube to a boss portion (A) of the transaxle case.
- Tighten the bolt of CVT fluid cooler tube without moving the CVT fluid cooler tube.





FLUID COOLER SYSTEM

< ON-VEHICLE REPAIR >

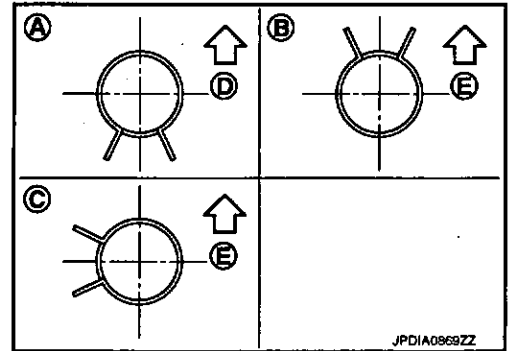
[CVT: RE0F09B]

CVT water hose	Hose end	Paint mark	Position of hose clamp*
Fluid cooler hose A	Radiator assembly	Facing upward	A
	Fluid cooler tube	Facing upward	C
Fluid cooler hose B	Radiator assembly	Facing backward	B
	Transaxle assembly	Facing upward	C

- \*: Refer to the illustrations for the specific position of each hose clamp tab.
- The illustrations indicate the view from the hose ends.

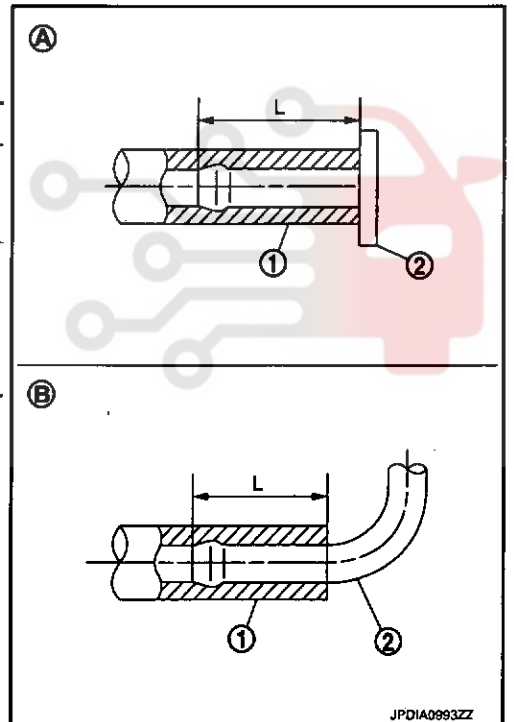
- ↔ D: Vehicle front
- ↔ E: Vehicle upper

- When installing hose clamps the center line of each clamp tab should be positioned as shown in the figure.



- Insert CVT water hose according to dimension (L) described below.

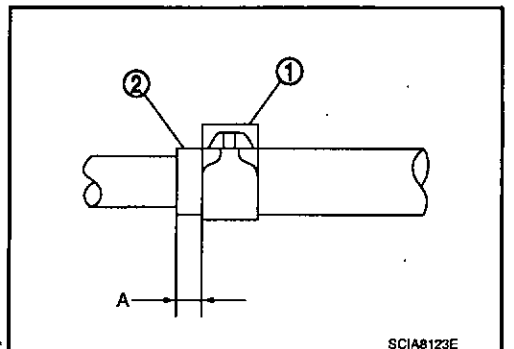
(1)	(2)	Tube type	Dimension L
Fluid cooler hose A	Radiator assembly	A	30 mm (1.18 in) (Insert the hose until the hose touches the radiator)
	Fluid cooler tube		
Fluid cooler hose B	Radiator assembly	B	End reaches the radius curve end.
	Transaxle assembly		



- Set hose clamps (1) at the both ends of fluid cooler hose (2) with dimension (A) from the hose edge.

Dimension (A) : 5 – 9 mm (0.20 – 0.35 in)

- Hose clamp should not interfere with the bulge.



WITHOUT FLUID COOLER : Inspection

INSPECTION AFTER INSTALLATION

INFOID:000000006191655

FLUID COOLER SYSTEM

< ON-VEHICLE REPAIR >

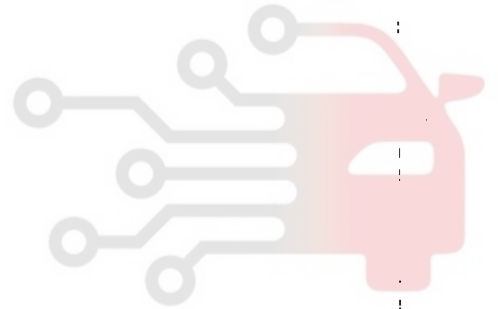
[CVT: RE0F09B]

Check for engine coolant leakage and check engine coolant level. Refer to TM-155, "Inspection".

دیجیتال خودرو

شرکت دیجیتال خودرو سامانه (مسئولیت محدود)

اولین سامانه دیجیتال تعمیرکاران خودرو در ایران



## TRANSAXLE ASSEMBLY

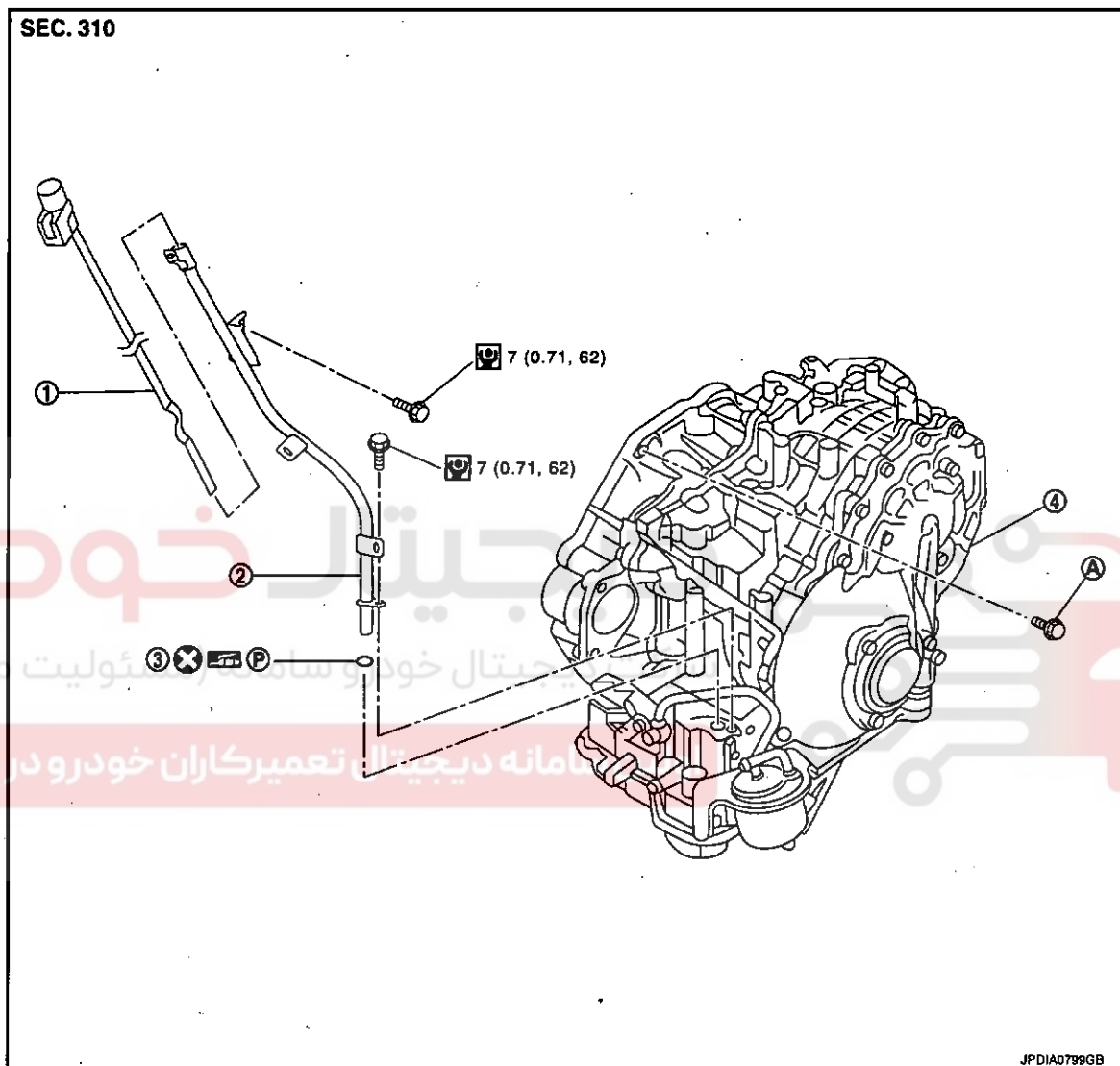
&lt; REMOVAL AND INSTALLATION &gt;

[CVT: RE0F09B]

REMOVAL AND INSTALLATION  
TRANSAXLE ASSEMBLY

Exploded View

INFOID:000000006191656



1. CVT fluid level gauge                      2. CVT fluid charging pipe                      3. O-ring  
4. Transaxle assembly  
A. For tightening torque, refer to [TM-189, "Removal and Installation"](#).

Refer to [GI-4, "Components"](#) for symbols in the figure.

## Removal and Installation

INFOID:000000006191657

**WARNING:**

Never remove the reservoir tank cap when the engine is hot. Serious burns could occur from high pressure engine coolant escaping from the reservoir tank.

## REMOVAL

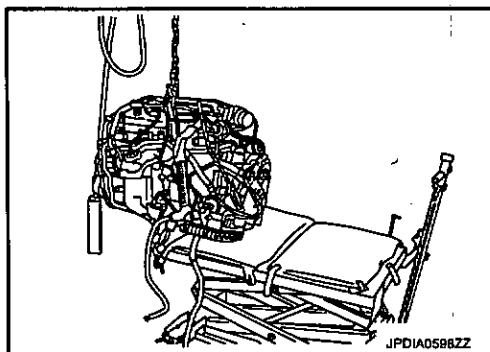
1. Remove the engine, the transaxle assembly and front suspension member. Refer to [EM-68, "Exploded View"](#).
2. Lift with hoist and separate engine, transaxle assembly from front suspension member. Refer to [EM-68, "Exploded View"](#).

TRANSAXLE ASSEMBLY

< REMOVAL AND INSTALLATION >

[CVT: RE0F09B]

3. Remove air breather hose. Refer to TM-181, "Exploded View".
4. Disconnect secondary speed sensor connector. Refer to TM-178, "Exploded View".
5. Disconnect CVT unit connector.
6. Disconnect air fuel ratio sensor 1 (bank 2). Refer to EM-34, "Exploded View".
7. Remove crankshaft position sensor (POS). Refer to EM-39, "Exploded View".
8. Remove CVT fluid charging pipe from transaxle assembly.
9. Remove transaxle assembly fixing bolts with power tool.
10. Remove transaxle assembly from engine assembly with a hoist.
11. Remove fluid cooler hose from transaxle assembly.

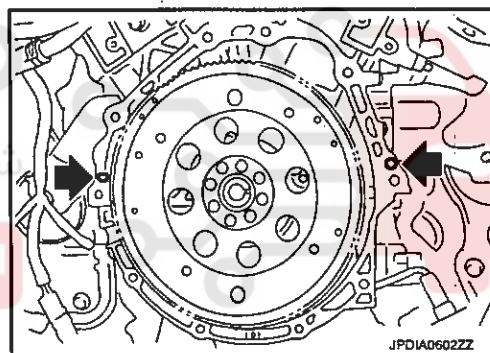


INSTALLATION

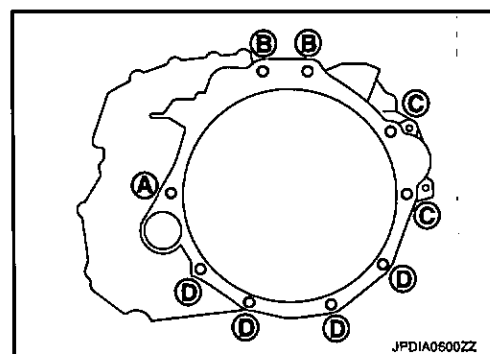
Note the following, and install in the reverse order of removal.

CAUTION:

Check fitting of dowel pins (←) when installing transaxle assembly to engine assembly.



When installing transaxle assembly to the engine assembly, attach the fixing bolts in accordance with the following.



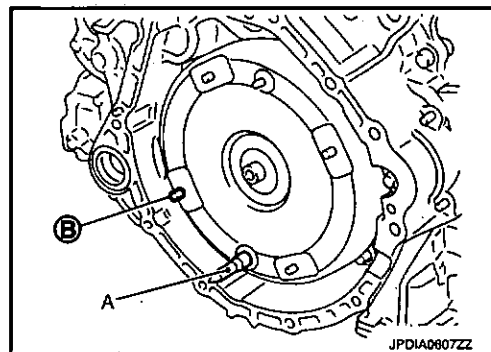
Bolt position	Transaxle assembly to engine assembly			Engine assembly to transaxle assembly.
	A	B	C	D
Insertion direction	A	B	C	D
Number of bolts	1	2	2	4
Bolt length mm (in)	55 (2.17)	39 (1.54)	108 (4.25)	40 (1.57)
Tightening torque N·m (kg·m, ft·lb)	74.5 (7.6, 55)			50 (5.1, 37)

TRANSAXLE ASSEMBLY

[CVT: RE0F09B]

< REMOVAL AND INSTALLATION >

- When using the drive plate location guide (commercial service tool: 31197CA000) (A), set it to the stud bolts which is used to install it to the torque converter.
- When not using drive plate location guide, rotate torque converter so that the stud bolt (B) for mounting the drive plate location guide of torque converter aligns with the mounting position of service hole.



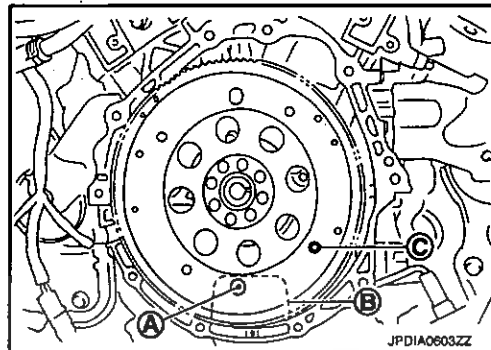
- Rotate crankshaft so that the hole (A) for inserting drive plate location guide of drive plate aligns with the service hole (B).

**NOTE:**


When not using drive plate location guide, insert stud bolt of torque converter into the hole (C) of drive plate, aligning the drive plate hole position and torque converter.

**CAUTION:**

Be careful not to strike the drive plate when installing the torque converter stud bolt.

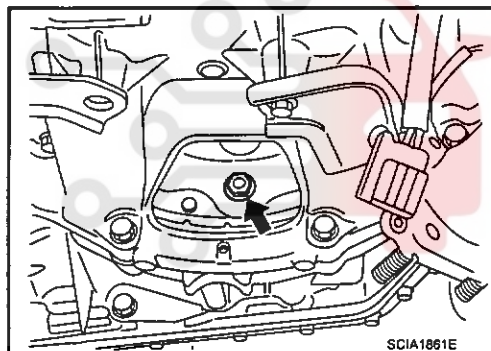


- Align the position of tightening nuts (←) for drive plate with those of the torque converter, and temporarily tighten the nuts. Then, tighten the bolts to the specified torque.

 : 51 N·m (5.2 kg-m, 38 ft-lb)

**CAUTION:**

- When turning crankshaft, turn it clockwise as viewed from the front of the engine.
- When tightening the nuts for the torque converter after fixing the crankshaft pulley bolts, confirm the tightening torque of the crankshaft pulley mounting bolts. Refer to EM-79, "Exploded View".
- Rotate crankshaft several turns and check that transaxle rotates freely without binding after converter is installed to drive plate.
- Never reuse O-ring.
- Apply petroleum jelly to O-ring.



Inspection and Adjustment

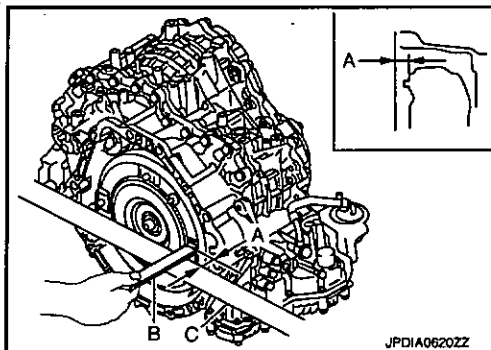
INFOID:000000006191658

INSPECTION BEFORE INSTALLATION

After inserting a torque converter to transaxle assembly, check that dimension (A) is within the reference value limit.

- B : Scale
- C : Straightedge

Dimension A : Refer to TM-196, "Torque Converter".



INSPECTION AFTER INSTALLATION

Check the following items.

## TRANSAXLE ASSEMBLY

### < REMOVAL AND INSTALLATION >

[CVT: RE0F09B]

- CVT fluid leakage and CVT fluid level. Refer to TM-155, "Inspection".
- CVT position. Refer to TM-166, "SPORT MODE : Inspection and Adjustment" (Sport mode), TM-166, "MANUAL MODE : Inspection and Adjustment" (Manual mode).

### ADJUSTMENT AFTER INSTALLATION

After transaxle assembly is replaced. Refer to TM-9, "ADDITIONAL SERVICE WHEN REPLACING CONTROL UNIT : Precaution for TCM and CVT Assembly Replacement".

دیجیتال خودرو

شرکت دیجیتال خودرو سامانه (مسئولیت محدود)

اولین سامانه دیجیتال تعمیرکاران خودرو در ایران





TORQUE CONVERTER AND CONVERTER HOUSING OIL SEAL

< DISASSEMBLY AND ASSEMBLY >

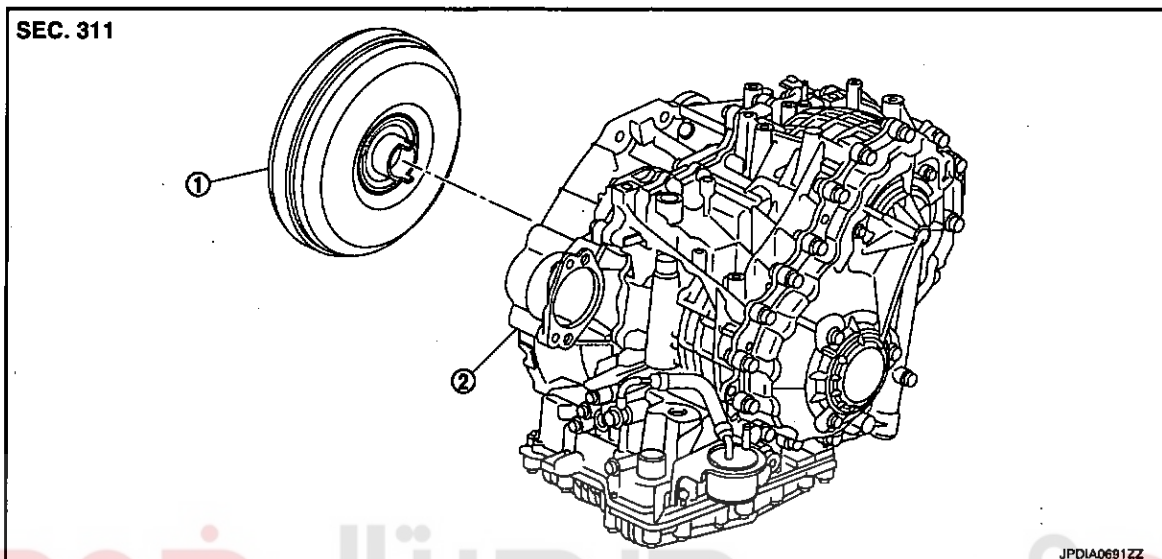
[CVT: RE0F09B]

DISASSEMBLY AND ASSEMBLY

TORQUE CONVERTER AND CONVERTER HOUSING OIL SEAL

Exploded View

INFOID:000000006191659



1. Torque converter 2. Transaxle assembly

Disassembly

1. Remove transaxle assembly. Refer to TM-189, "Exploded View".
2. Remove torque converter from transaxle assembly.

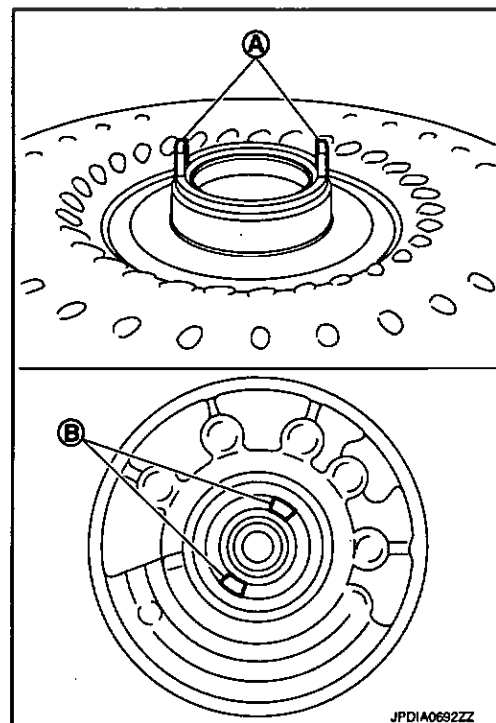
Assembly

Note the following, and install in the reverse order of removal.

- Attach the pawl (A) of the torque converter to the inner gear hole (B) on the oil pump side.

CAUTION:

Rotate the torque converter for installing torque converter.



## TORQUE CONVERTER AND CONVERTER HOUSING OIL SEAL

&lt; DISASSEMBLY AND ASSEMBLY &gt;

[CVT: RE0F09B]

## Inspection

INFOID:000000006181662

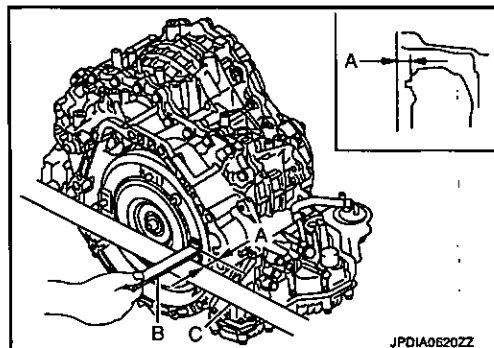
## INSPECTION AFTER INSTALLATION

After inserting a torque converter to transaxle assembly, check dimension (A) is within the reference value limit.

B : Scale

C : Straightedge

Dimension A : Refer to TM-196, "Torque Converter".



# دیجیتال خودرو

شرکت دیجیتال خودرو سامانه (مسئولیت محدود)

اولین سامانه دیجیتال تعمیرکاران خودرو در ایران



## SERVICE DATA AND SPECIFICATIONS (SDS)

&lt; SERVICE DATA AND SPECIFICATIONS (SDS)

[CVT: RE0F09B]

## SERVICE DATA AND SPECIFICATIONS (SDS)

## SERVICE DATA AND SPECIFICATIONS (SDS)

## General Specification

INFOID:000000006191663

Applied model	VQ35DE	
	4WD	
CVT model	RE0F09B	
CVT assembly	Model code number	1XE1C
Transmission gear ratio	D range	Variable
	Reverse	1.766
	Final drive	5.173
Recommended fluid	Genuine NISSAN CVT Fluid NS-2*	
Fluid capacity liter (Imp qt)	10.2 (9)	

## CAUTION:

- Use only Genuine NISSAN CVT Fluid NS-2. Never mix with other fluid.
- Using CVT fluid other than Genuine NISSAN CVT Fluid NS-2 will deteriorate in driveability and CVT durability, and may damage the CVT, which is not covered by the NISSAN new vehicle limited warranty.

\*: Refer to MA-8, "Fluids and Lubricants".

## Vehicle Speed When Shifting Gears

INFOID:000000006191664

Numerical value data are reference values.

Unit: rpm

Throttle position	Shift pattern	Engine speed	
		At 40 km/h (25 MPH)	At 60 km/h (37 MPH)
8/8	"D" position	2,600 – 4,100	3,600 – 5,300
	Sport mode switch		
	"L" position		
2/8	"D" position	1,000 – 3,000	1,100 – 3,400
	Sport mode switch	2,200 – 3,000	2,800 – 3,600
	"L" position	2,600 – 3,500	3,600 – 4,500

## CAUTION:

Lock-up clutch is engaged when vehicle speed is approximately 18 km/h (11 MPH) to 90 km/h (56 MPH).

## Stall Speed

INFOID:000000006191665

Stall speed	2,700 – 3,500 rpm
-------------	-------------------

## Line Pressure

INFOID:000000006191666

Unit: kPa (bar, kg/cm<sup>2</sup>, psi)

Engine speed	Line pressure
	"R", "D" and "L"* positions
At idle	700 (7.00, 7.14, 101.5)
At stall	5,700 (57.00, 58.14, 826.5)

\*: Sport mode

SERVICE DATA AND SPECIFICATIONS (SDS)

< SERVICE DATA AND SPECIFICATIONS (SDS)

[CVT: RE0F09B]

Torque Converter.

INFOID:000000006191667

Dimension between end of converter housing and torque converter

14.0 mm (0.55 in)

دیجیتال خودرو

شرکت دیجیتال خودرو سامانه (مسئولیت محدود)

اولین سامانه دیجیتال تعمیرکاران خودرو در ایران

