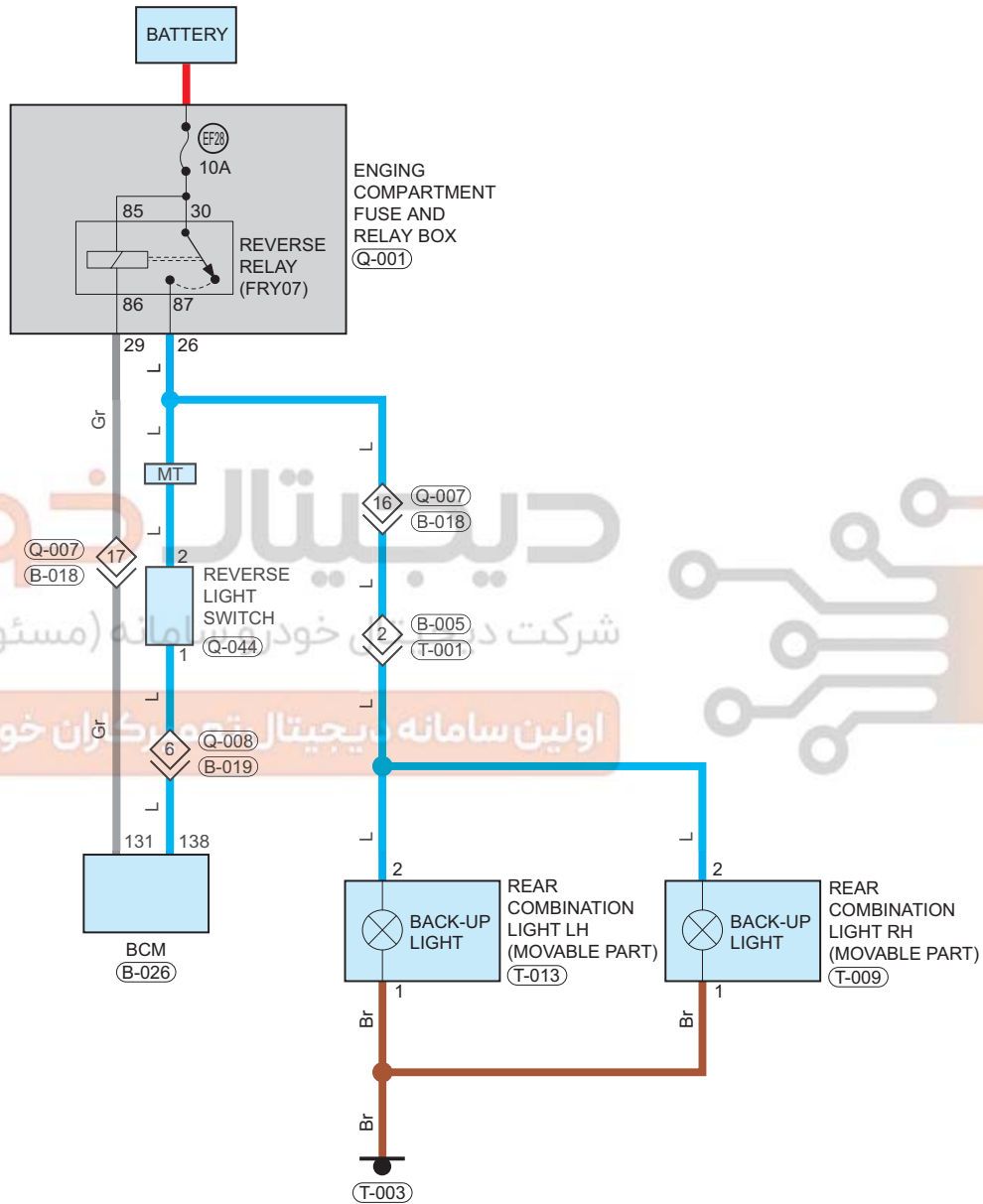


Back-up Light

Circuit Diagram (Page 1 of 1)



09

LIE001001