

WIRE HARNESS

WIRE HARNESS INFORMATION	68-3	Instrument Panel Fuse and Relay Box A	68-63
General Information	68-3	Fuse and Relay Layout in Instrument Panel Fuse and Relay Box A	68-63
Description	68-3		
Circuit Diagram Information	68-3		
Circuit Diagram Instruction	68-4		
Electrical Troubleshooting	68-7	Instrument Panel Fuse and Relay Box B	68-65
Wire Harness Troubleshooting	68-7	Fuse and Relay Layout in Instrument Panel Fuse and Relay Box B	68-65
Voltage Test	68-7		
Circuit Continuity Test	68-7		
Short Circuit Test	68-7		
Electrical Troubleshooting Tools	68-8		
Electrical Repair	68-9	VEHICLE WIRE HARNESS LAYOUT	68-67
Wire Harness Repair	68-9	General Information	68-67
Fuse Replacement	68-9	Description	68-67
Electrical Components	68-10	Vehicle Wire Harness Layout	68-68
		Entire Vehicle Wire Harness Layout	68-68
		Engine Wire Harness (For 1.5T Model)	68-69
		Engine Wire Harness (For 2.0L Model)	68-71
		Engine Compartment Wire Harness (For 1.5T Model)	68-73
		Engine Compartment Wire Harness (For 2.0L Model)	68-76
		Instrument Panel Wire Harness	68-79
		Body Wire Harness	68-82
		Front Left Door Wire Harness	68-86
		Front Right Door Wire Harness	68-87
		Rear Left Door Wire Harness	68-88
		Rear Right Door Wire Harness	68-89
		Back Door Wire Harness	68-90
		Electrical A/C System Wire Harness	68-91
		Automatic A/C System Wire Harness	68-92
		Battery/Ground Wire Harness	68-93
VEHICLE POWER DISTRIBUTION	68-12		
General Information	68-12		
Description	68-12		
Circuit Diagram	68-13		
Circuit Distribution (For 1.5T Model)	68-13		
Circuit Distribution (For 2.0L Model)	68-29		
VEHICLE GROUND DISTRIBUTION	68-43		
General Information	68-43		
Description	68-43		
Circuit Diagram (For 1.5TL Model)	68-44		
Ground Distribution	68-44		
Ground Distribution (For 2.0LL Model)	68-51		
VEHICLE FUSE & RELAY	68-58		
General Information	68-58		
Description	68-58		
Engine Compartment Fuse and Relay Box	68-59		
Fuse and Relay Layout in Engine Compartment Fuse and Relay Box (For 1.5T Model)	68-59		
Fuse and Relay Layout in Engine Compartment Fuse and Relay Box (For 2.0L Model)	68-61		

دیجیتال خودرو

شرکت دیجیتال خودرو سامانه (مسئولیت محدود)

68

اولین سامانه دیجیتال تعمیرکاران خودرو در ایران



WIRE HARNESS INFORMATION

General Information

Description

Wire harness information contains basic introductions of circuit diagrams, inspection methods of cables and connectors, as well as layout of connector positions and wire harness positions, etc.

Circuit Diagram Information

Circuit diagrams are classified into each chapter in Service Manual. If a component appears in a specific system, its related information (such as wire harness, connector, terminal, etc.) will appear in the circuit diagram and be introduced in detail. For example, the information of Engine Control Module (ECM) is mainly introduced in chapter 6. If the component wire harnesses involve other systems, the component information will also appear in the corresponding systems.

Chery automobile offers related circuit diagram information of the vehicle electrical equipment to help technicians determine and detect the vehicle malfunction effectively.

Functions and features of circuit diagram:

- Power supply circuit is on the top of the page, while ground circuit is at the bottom.
- Components (such as switches and fuses) are displayed on the circuit diagram in the form of simple icon.

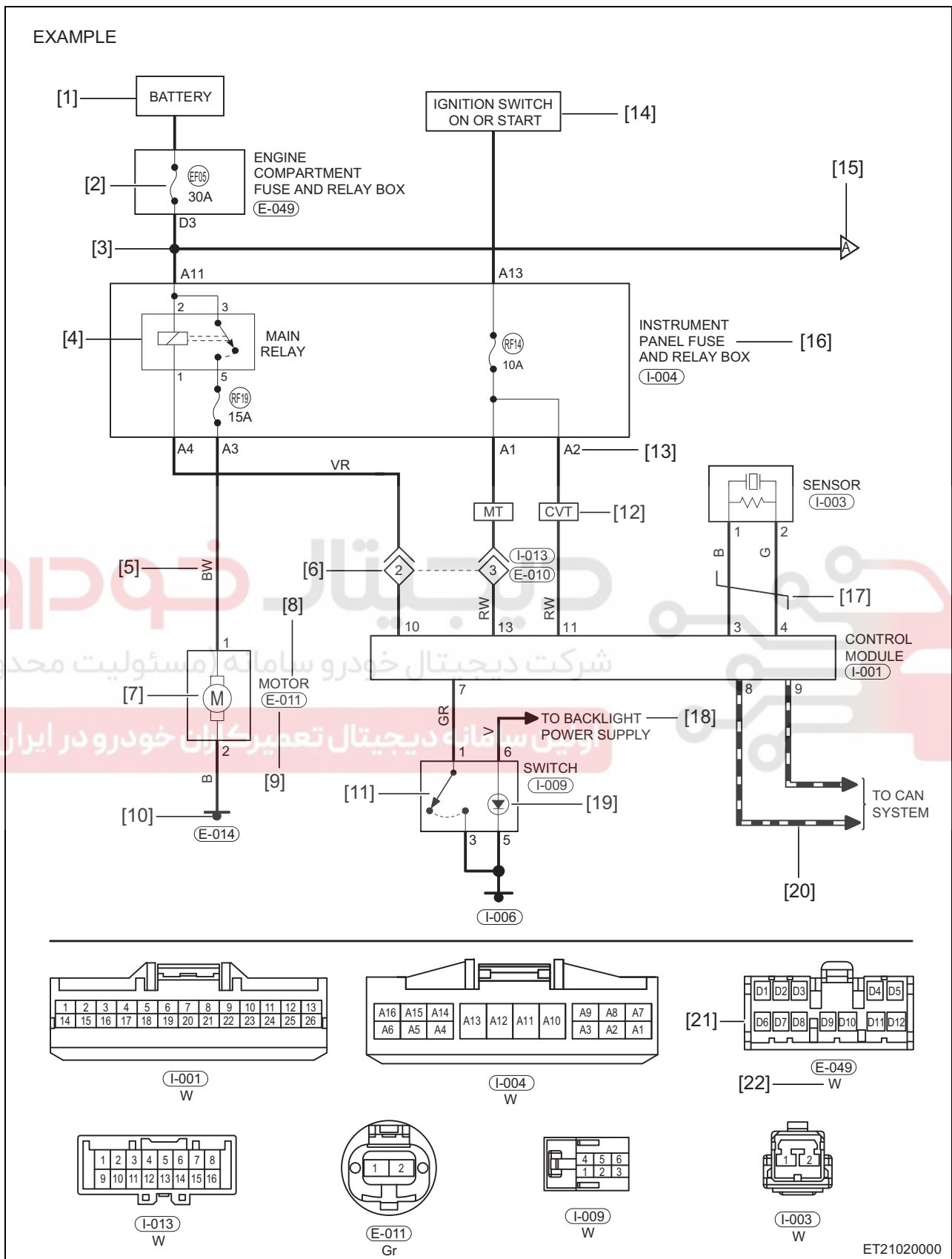
دیجیتال خودرو

شرکت دیجیتال خودرو سامانه (مسئولیت محدود)

اولین سامانه دیجیتال تعمیرکاران خودرو در ایران



Circuit Diagram Instruction



The following is a list of symbols defined in the circuit diagram.

No.	Definition	Description
[1]	Battery	It indicates the power supply from battery positive to electrical equipment.
[2]	Fuse	This symbol indicates a fuse; "EF05" indicates the fuse number; "30A" indicates the rated amperage of the fuse.
[3]	Splice Point	The solid circle indicates that each intersecting wire is interconnected.
[4]	Relay	This symbol indicates a relay; "MAIN RELAY" indicates the relay name; "1", "2", "3" and "5" indicate the terminal numbers of the relay.
[5]	Color	It indicates the color of this wire. The color codes are as follows: B = Black; W = White; R = Red; G = Green; L = Blue; Y = Yellow; Br = Brown; O = Orange; Gr = Gray; P = Pink; V = Violet; Lg = Light Green. For example: "BrR" indicates that the main color is brown in the wire color, and the second color is red.
[6]	Connector	It indicates the junction connectors. "Λ" is the female connector, and "I-013" is the applicable number; "∇" is the male connector, and "E-010" is the applicable number. The number "2" and "3" inside the male connector indicates the terminal number. "----" indicates different terminals come from the same junction connectors.
[7]	Motor	This symbol indicates a motor.
[8]	Component Name	It indicates the name of the component.
[9]	Connector No.	"E-011" indicates the connector number of this component, and the letter "E" indicates the wire harness code in which the connector is located. The connector codes are as follows: E = Engine Compartment Wire Harness; E = Engine Wire Harness; I = Instrument Panel Wire Harness; B = Body Wire Harness; F = Front Left Door Wire Harness; H = Front Right Door Wire Harness; L = Rear Left Door Wire Harness; R = Rear Right Door Wire Harness; T = Back Door Wire Harness; P = Battery Wire Harness; N = Ground Wire Harness; K = A/C Wire Harness.

68 - WIRE HARNESS

No.	Definition	Description
[10]	Ground Point	It indicates the ground connection.
[11]	Switch	This symbol indicates a switch.
[12]	Vehicle Model	"CVT" indicates it is for CVT model; "MT" indicates it is for MT model.
[13]	Terminal No.	It indicates the terminal number in the connector of this component.
[14]	Ignition Switch	It indicates the power supply from ignition switch to electrical equipment.
[15]	Connected to	It indicates that the wire harness is connected to the circuit diagram on next page. The letter "A" is connected with "A" in the circuit diagram on the next page.
[16]	Fuse and Relay Box Name	It indicates the name of the fuse and relay box.
[17]	Twisted-pair	It indicates that two wires are twisted.
[18]	Backlight Power Supply	It indicates the illumination power supply output from backlight adjustment dial.
[19]	LED	It is used for indicators, warning lights or illuminations in the switches or instrument cluster.
[20]	CAN	It indicates CAN wire in the electrical schematics. It is connected to CAN system.
[21]	Connector View	It indicates the cross section of connector and description of terminal number.
[22]	Connector Color	The letter "W" indicates the color of connector. The color codes are the same as above.

Electrical Troubleshooting

Wire Harness Troubleshooting

The following 6 steps help to troubleshoot the wire harness. Be sure to check the non-original components added to the vehicle before performing any diagnosis. If the vehicle is equipped with these components, disconnect them to verify these added components are not the cause of problem.

Perform following steps when troubleshooting wire harness:

1. Verify problem.
2. Look for any related symptom (by inspecting components in the same circuit).
3. Analyze symptom (use the wire harness diagram to determine the layout of the circuit, the area where problems most likely occur and the area where diagnosis will continue).
4. Isolate problem area.
5. Repair problem area.
6. Check for proper operation (in this step, check all items in the repaired circuit for proper operation).

Voltage Test

1. Ground the negative probe (black) of voltmeter.
2. Connect the positive probe (red) of voltmeter to the selected measuring point (turn ignition switch on as necessary). Check voltage value displayed on the voltmeter.

Circuit Continuity Test

1. Turn off all the electrical equipment and ignition switch, and disconnect the negative battery cable.
2. Remove the circuit to be tested.
3. Connect two probes of ohmmeter to two ends of the circuit to be tested respectively, and check the circuit continuity (low resistance means there is good continuity in the circuit).

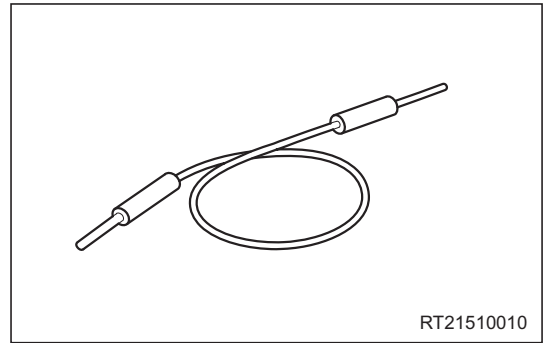
Short Circuit Test

1. Measure and record battery voltage.
2. Pull out the fuse of circuit to be tested or disconnect power supply end of the test circuit.
3. Connect the positive probe (red) of voltmeter to the positive battery terminal and the negative probe (black) to the power supply end of the circuit.
4. Check voltage value displayed on the voltmeter. If the voltage value of battery is displayed, it indicates that the test circuit is shorted to ground.

Electrical Troubleshooting Tools

1. Jumper Wire

Jumper wire is used to create a temporary circuit. Connect the jumper wire between terminals of a circuit to bypass the switch.

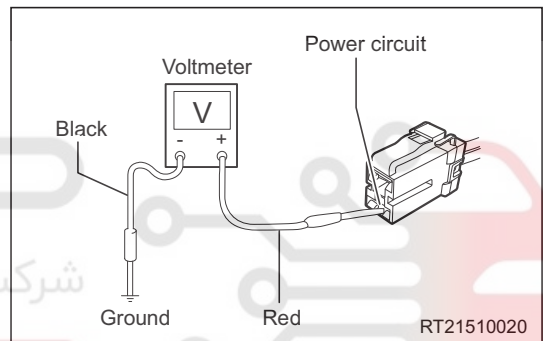


CAUTION

- DO NOT connect a jumper wire from power supply end to body ground, as this may damage the wire harnesses or electrical components.

2. Voltmeter

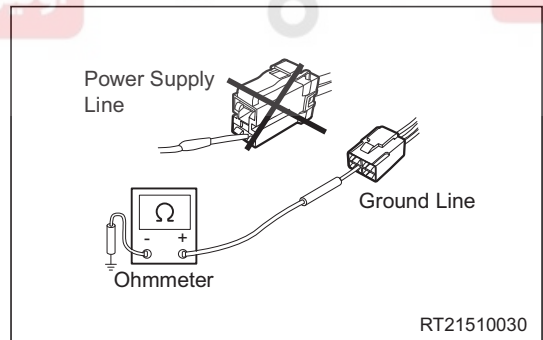
Voltmeter is used to measure circuit voltage. The measurement range should be higher than 15 V. Measure the voltage by connecting the positive probe (red) of voltmeter to the positive lead of the test component and the negative probe (black) to the negative lead or body ground.



68

3. Ohmmeter

Ohmmeter is used to measure resistance between two points in a circuit, or to check the circuit for an open or short.



CAUTION

- DO NOT connect ohmmeter to the circuit when applying voltage to the circuit, as this may result in inaccurate measured data or even damaging the ohmmeter.

Electrical Repair

Wire Harness Repair

CAUTION

- Measure the length of lead to be repaired and select a proper substitute lead before servicing.
- If there are several leads to be repaired, please stagger the repaired parts.

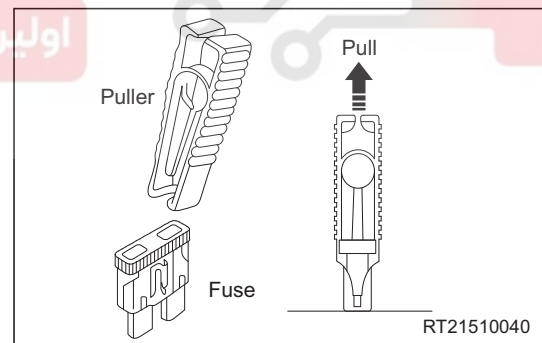
1. Peel off 0.5 inch insulating layer from the lead to be repaired and the substitute lead.
2. Connect the original lead to the substitute lead with the heat shrink tube and compress the metal core of heat shrink tube with a tool, so that the original lead and the substitute lead can be connected firmly.
3. Heat the heat shrink tube to shrink the outer rubber layer and ensure that the sealing of repaired area is in good condition.
4. Wrap the repaired lead with insulating tape.

Fuse Replacement

CAUTION

- Energizing test should be performed after replacing the fuse. If the fuse is blown again, check the corresponding circuit for short. If any electrical equipment or additional device which exceeds the rated current is installed, replace it with the fuse with higher amperes.

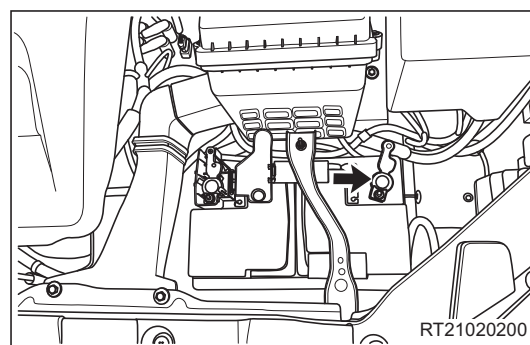
1. Turn off all the electrical equipment and ignition switch before servicing.
2. Remove the blown fuse with a fuse puller.
3. Replace the fuse with a new one which has the same specification.



Electrical Components

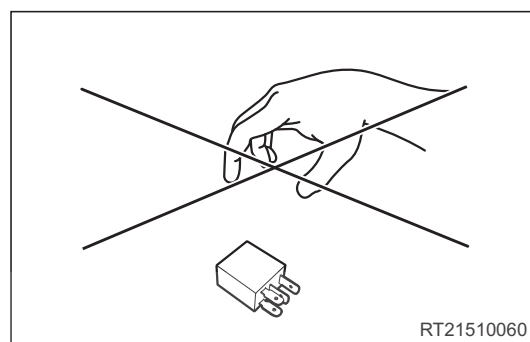
1. Battery cable

Disconnect the negative battery cable (arrow) before servicing electrical components.



2. Sensor, switch and relay

Do not drop or tap the sensor, switch or relay to avoid damaging components during servicing.



CAUTION

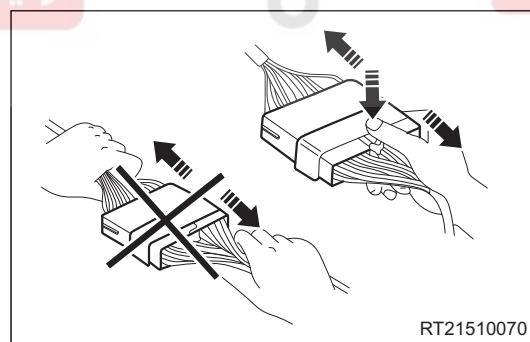
- Use the relay of the same specification with the original one during replacement.

68

3. Connector

a. Disconnect the connector.

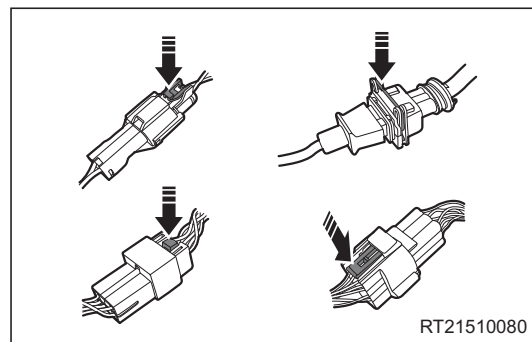
Hold the connector by hand and press the connector clip to disconnect it.



CAUTION

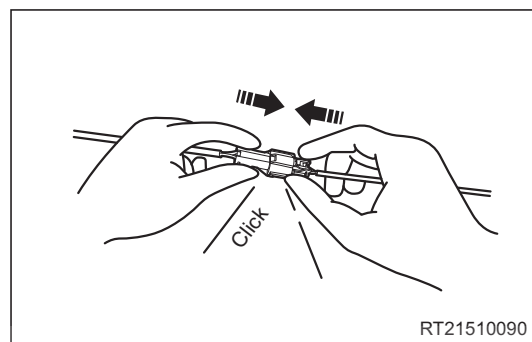
- DO NOT pull the wire harness forcibly to avoid damaging components when disconnecting the connector.

There are a variety of ways to fix connector clips, and common disconnection methods are shown in the illustration.



b. Install the connector.

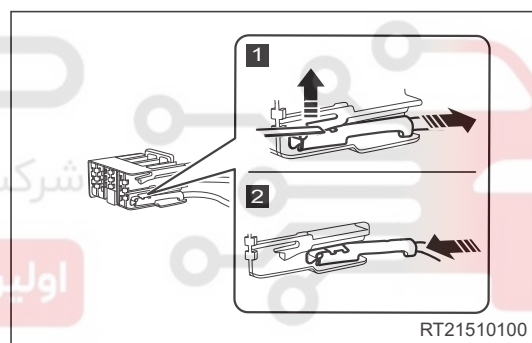
A "click" can be heard when the connector is installed in place.



c. Replace the connector terminal.

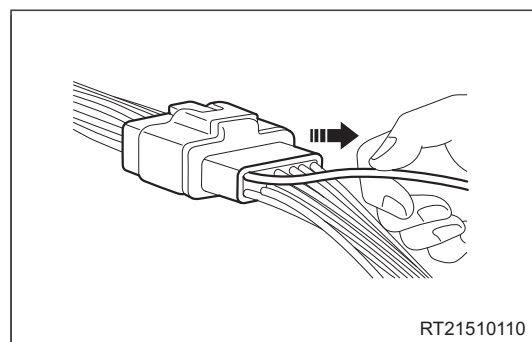
As shown in the illustration (1), insert a suitable tool into the terminal to lift up the fixing clip, and then pull out the terminal from behind.

During installation, push the terminal from the back of the connector to ensure that the fixing clip is installed in place as shown in the illustration (2).



d. Check the connector terminal.

Pull a single wire harness terminal gently to check if it is installed in place.



VEHICLE POWER DISTRIBUTION

General Information

Description

Power distribution system provides secure, reliable and efficient power for all electrical equipment on the vehicle.

Power distribution system consists of the following components:

- Battery
- Engine compartment fuse and relay box
- Instrument panel fuse and relay box
- Ignition switch
- Fuse
- Relay

دیجیتال خودرو

شرکت دیجیتال خودرو سامانه (مسئولیت محدود)

68

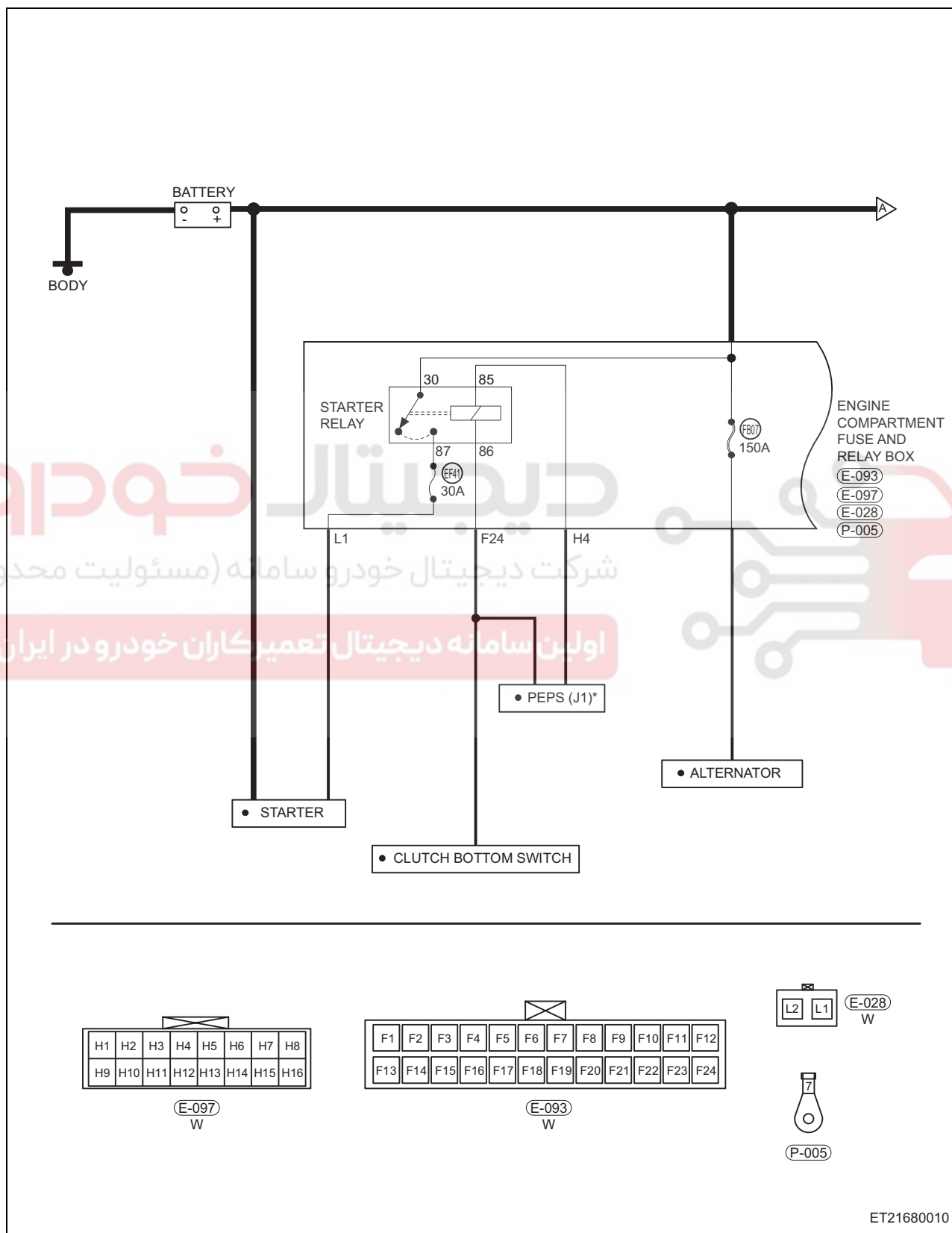
اولین سامانه دیجیتال تعمیرکاران خودرو در ایران



Circuit Diagram

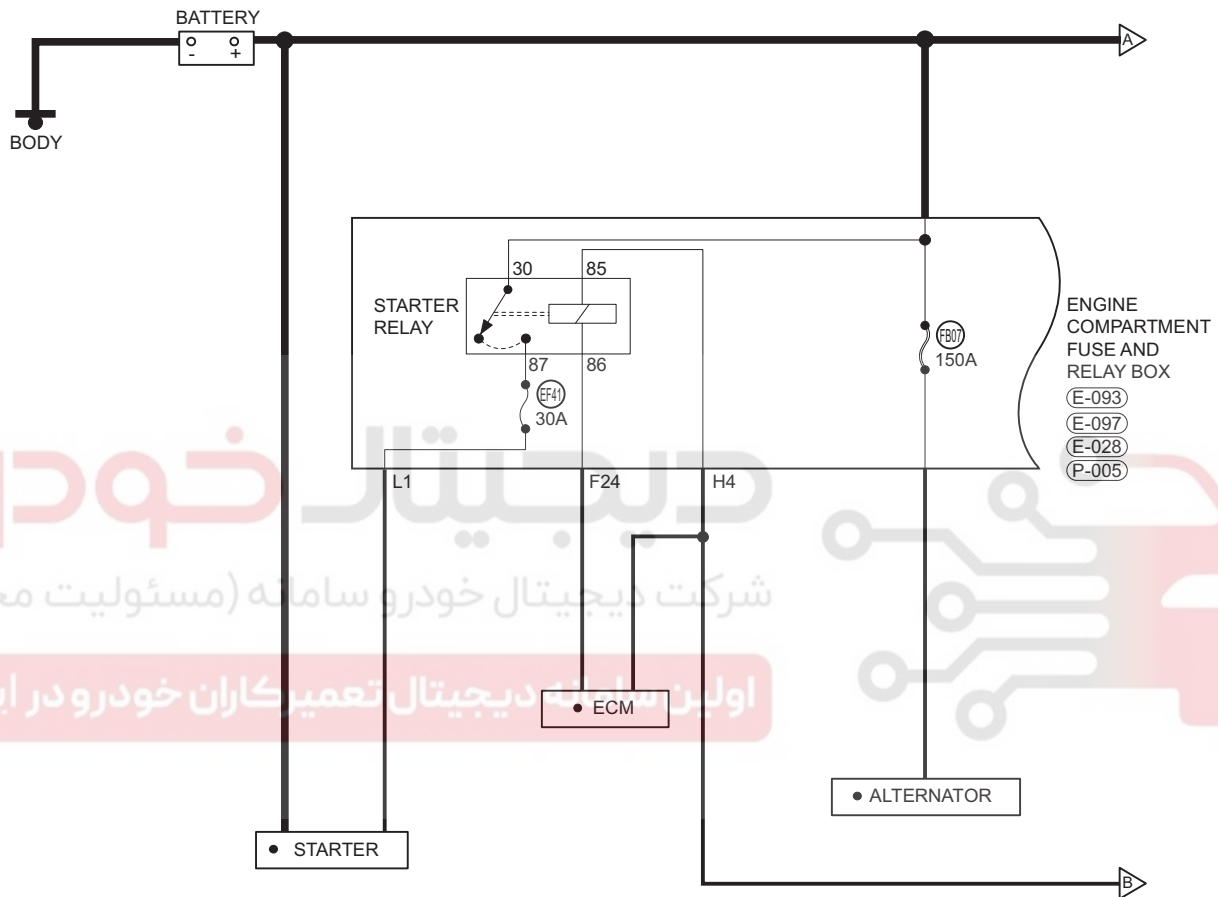
Circuit Distribution (For 1.5T Model)

Power Distribution (Page 1 of 16)



Power Distribution (Page 2 of 16)

w/o PEPS & CVT



68

H1	H2	H3	H4	H5	H6	H7	H8
H9	H10	H11	H12	H13	H14	H15	H16

(E-097)
W

F1	F2	F3	F4	F5	F6	F7	F8	F9	F10	F11	F12
F13	F14	F15	F16	F17	F18	F19	F20	F21	F22	F23	F24

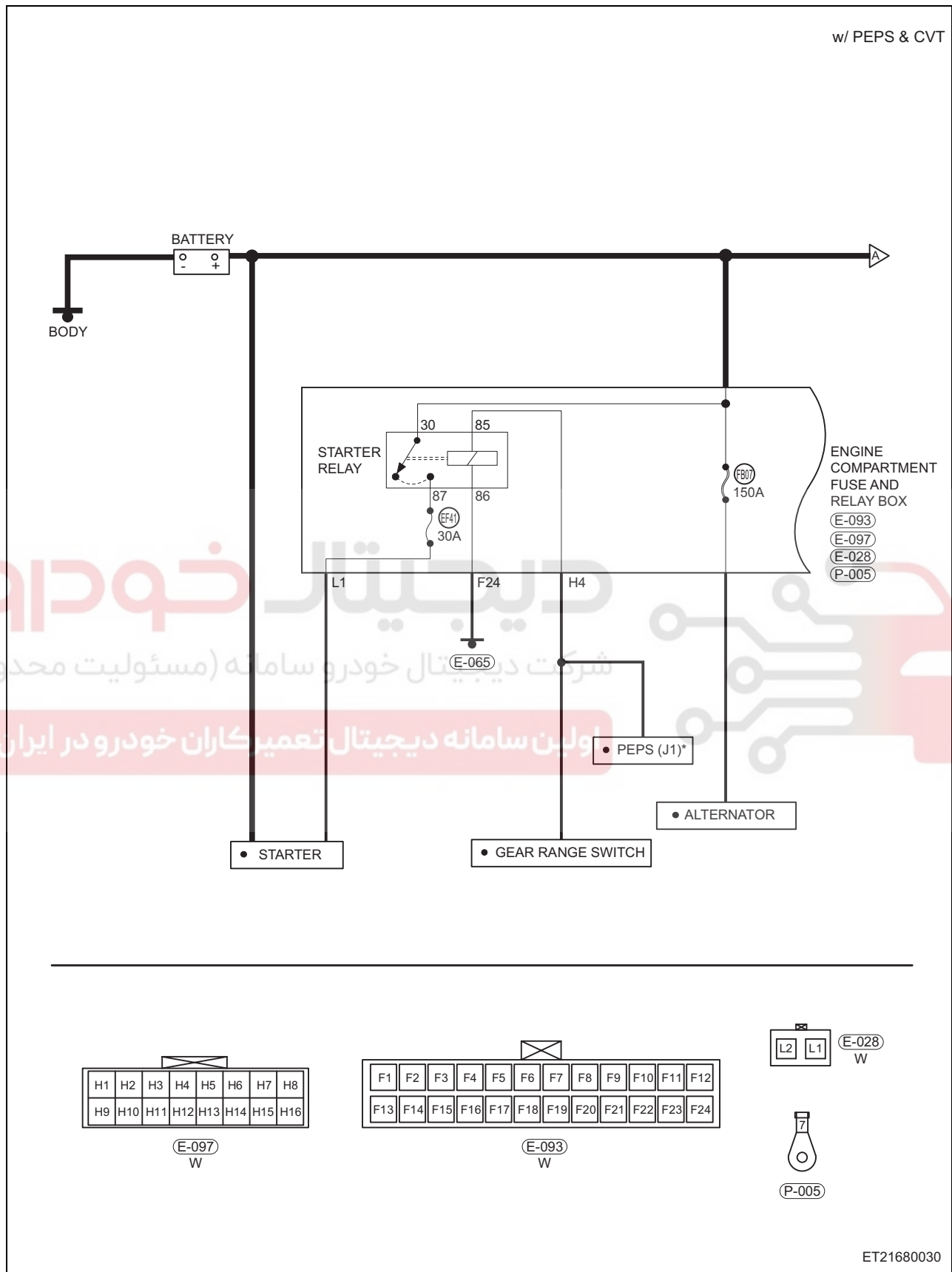
(E-093)
W



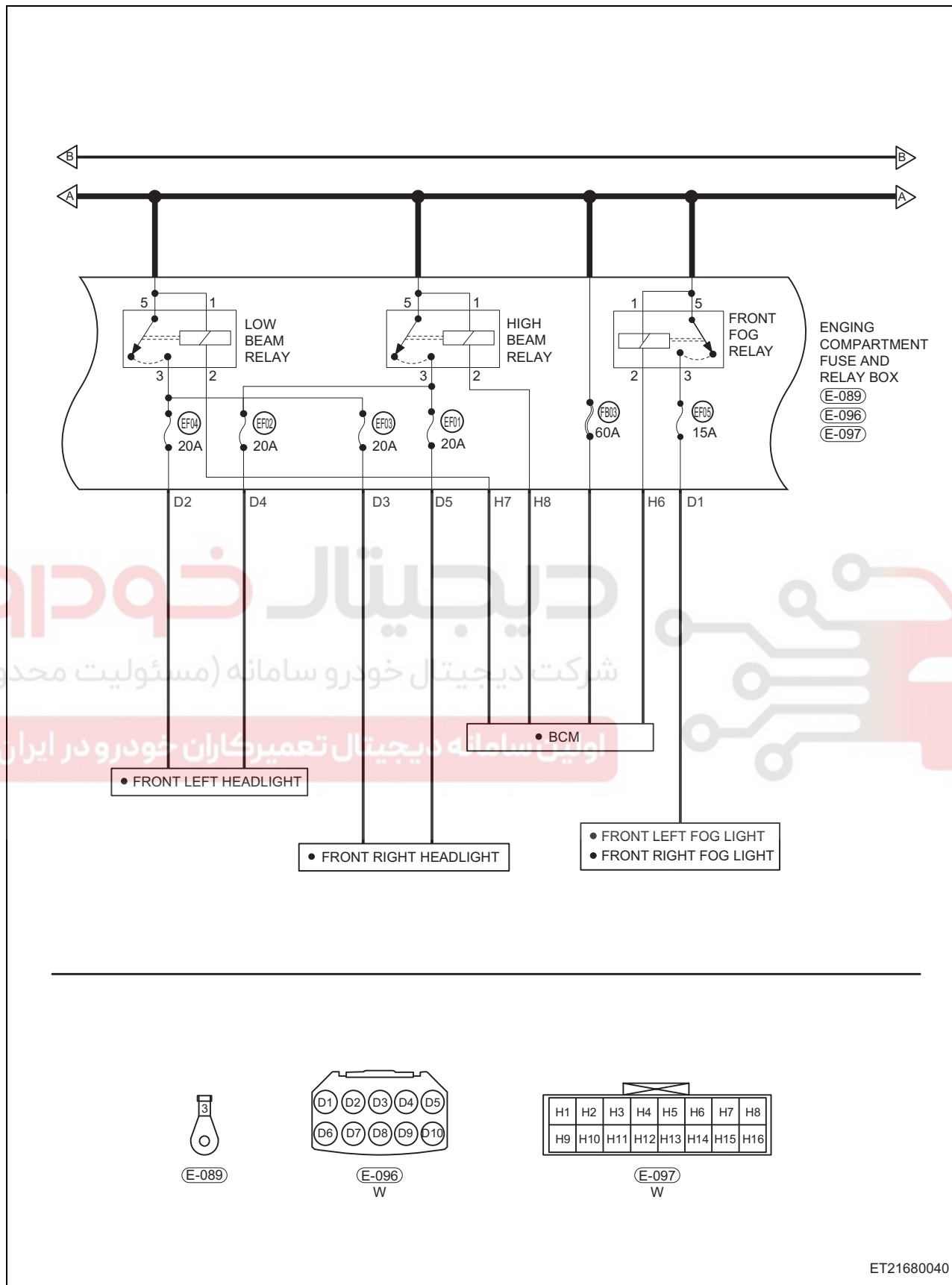
(P-005)

ET21680020

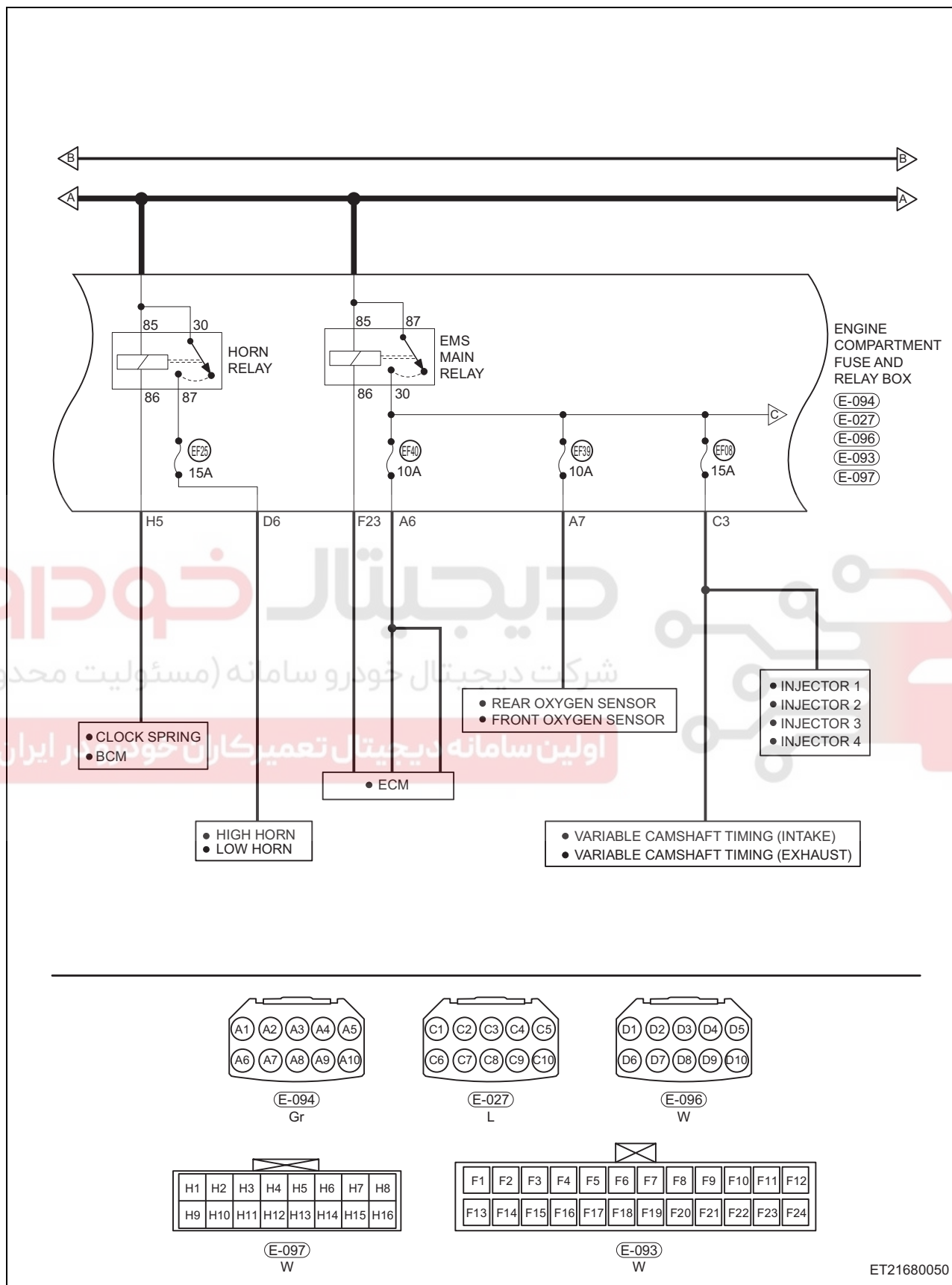
Power Distribution (Page 3 of 16)



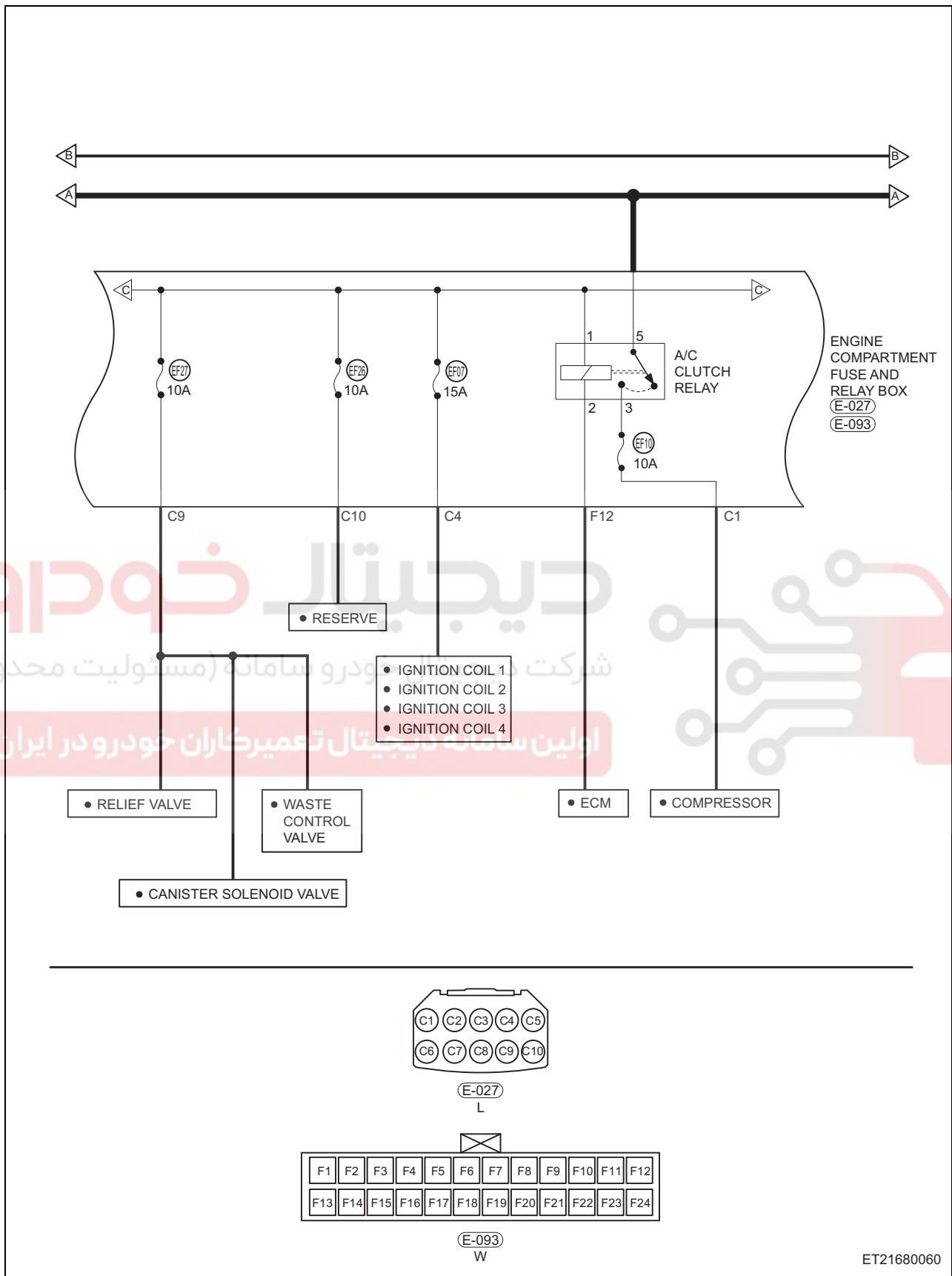
Power Distribution (Page 4 of 16)



Power Distribution (Page 5 of 16)

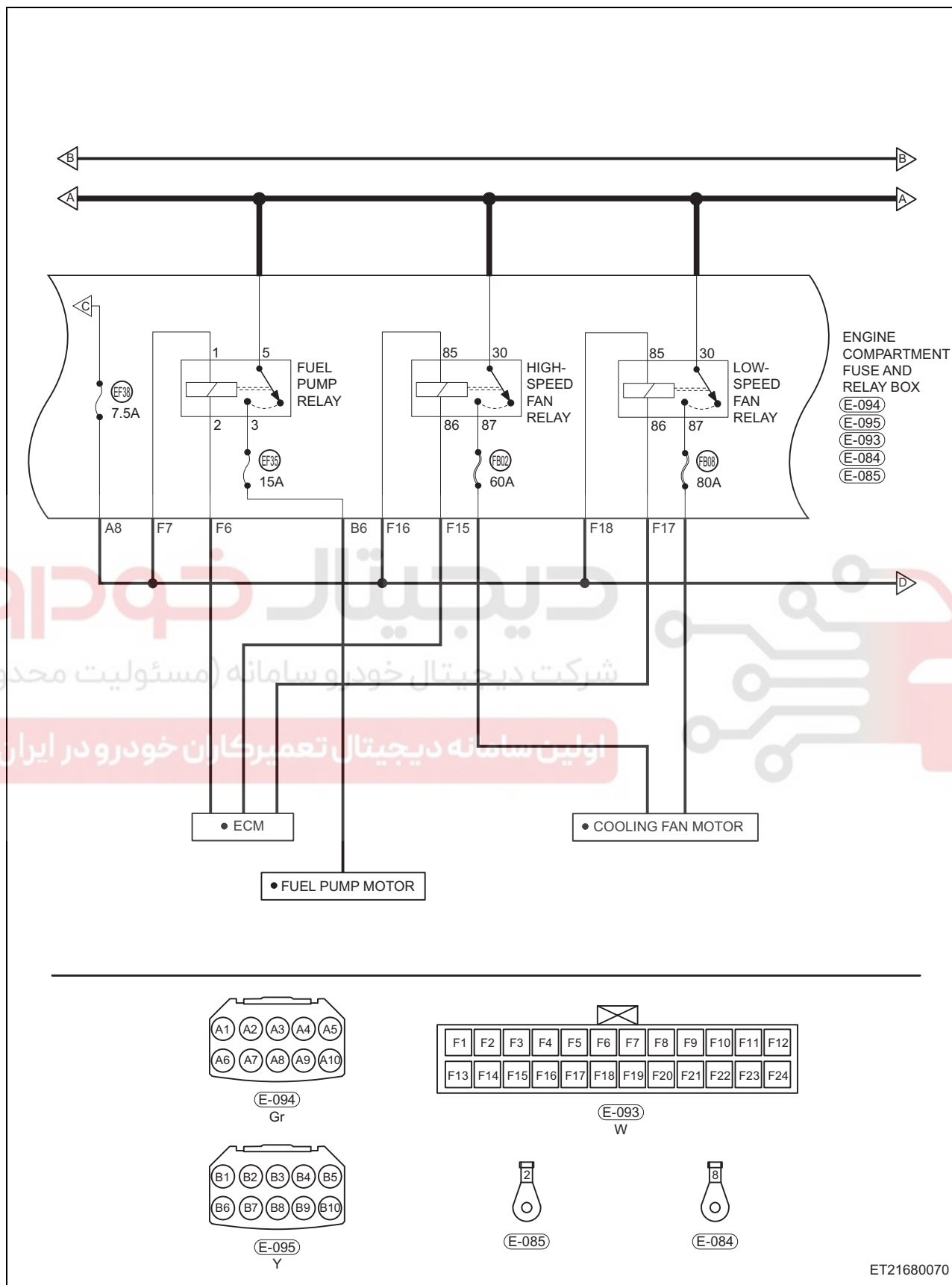


Power Distribution (Page 6 of 16)

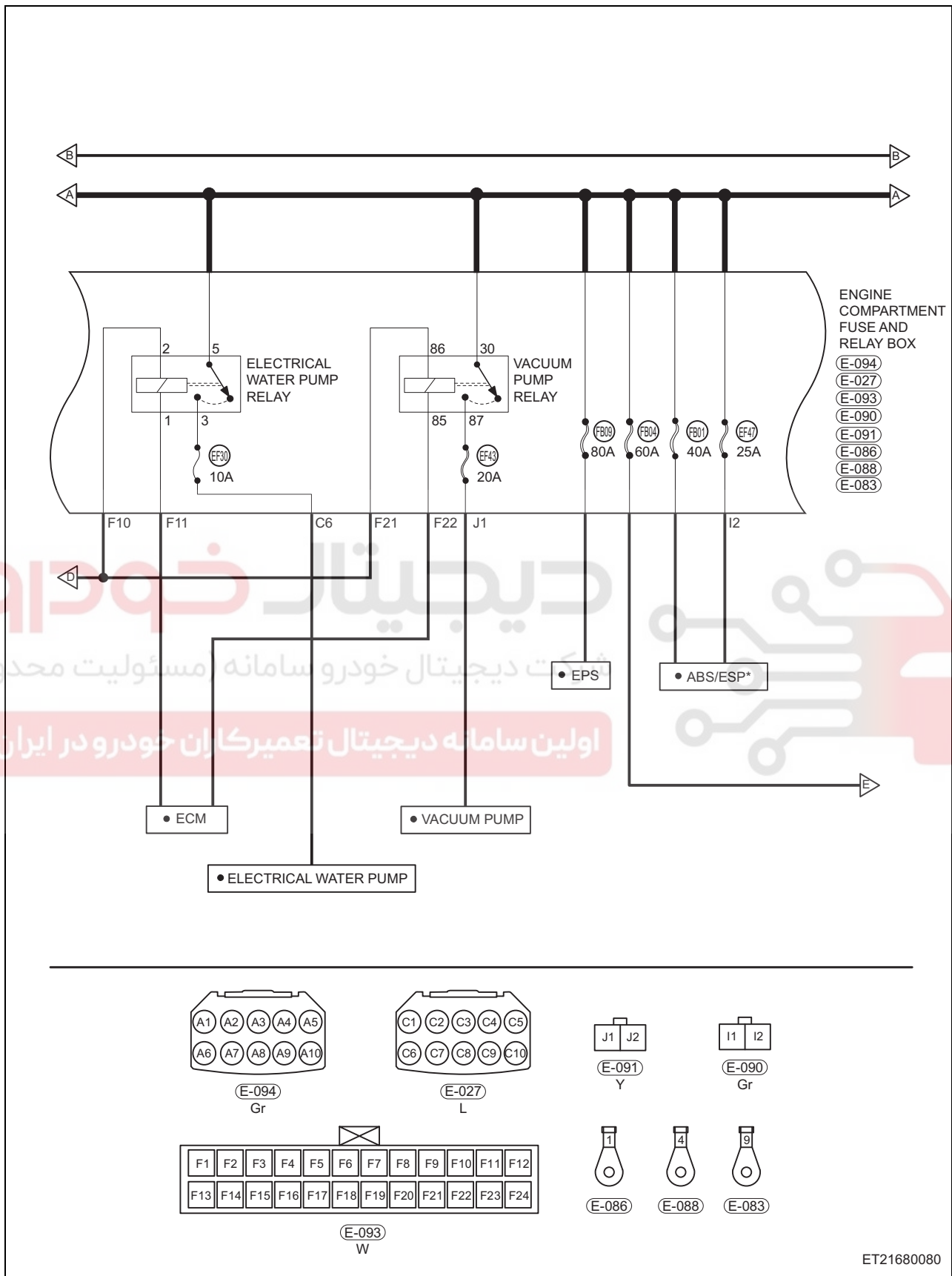


68

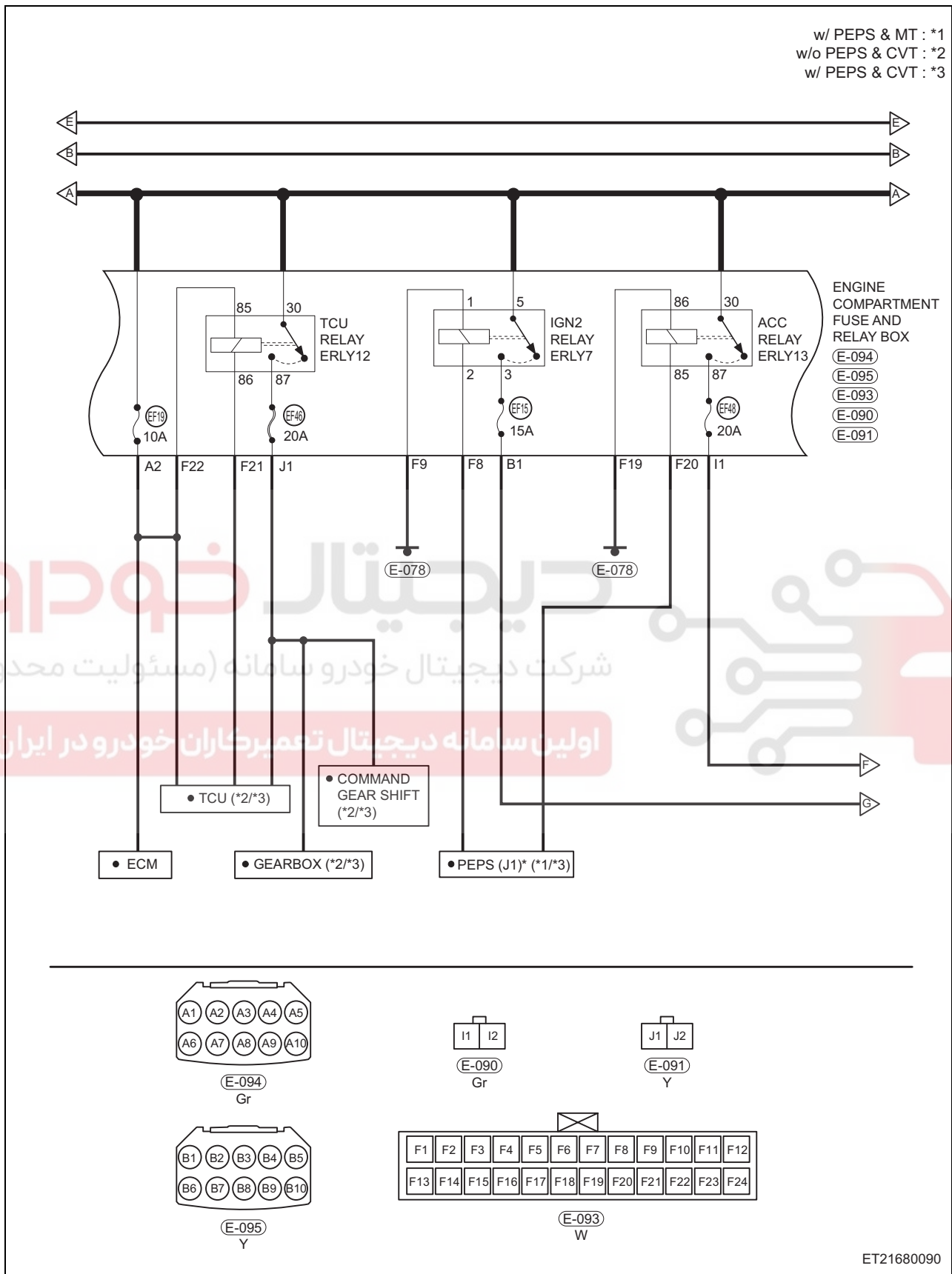
Power Distribution (Page 7 of 16)



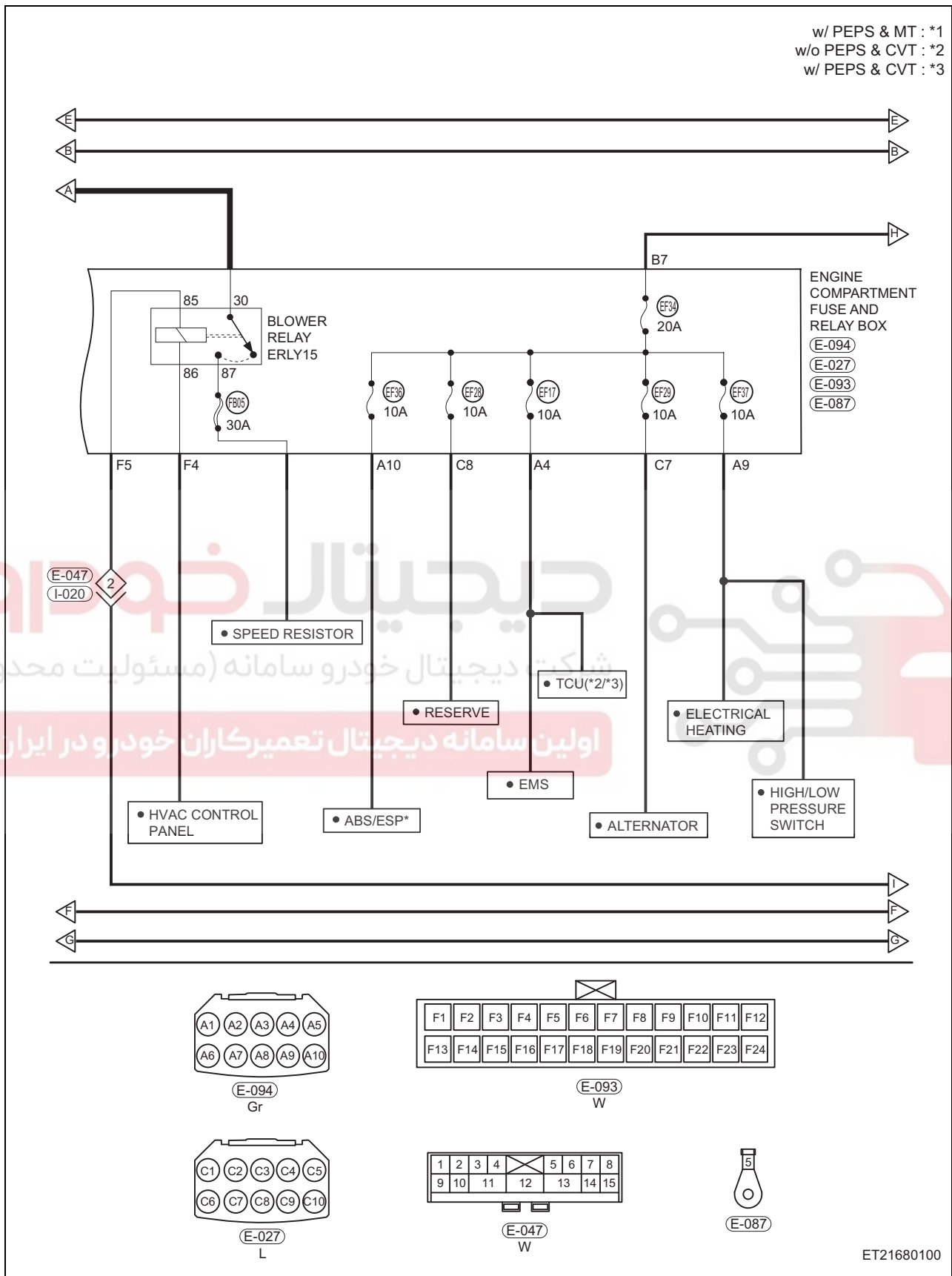
Power Distribution (Page 8 of 16)



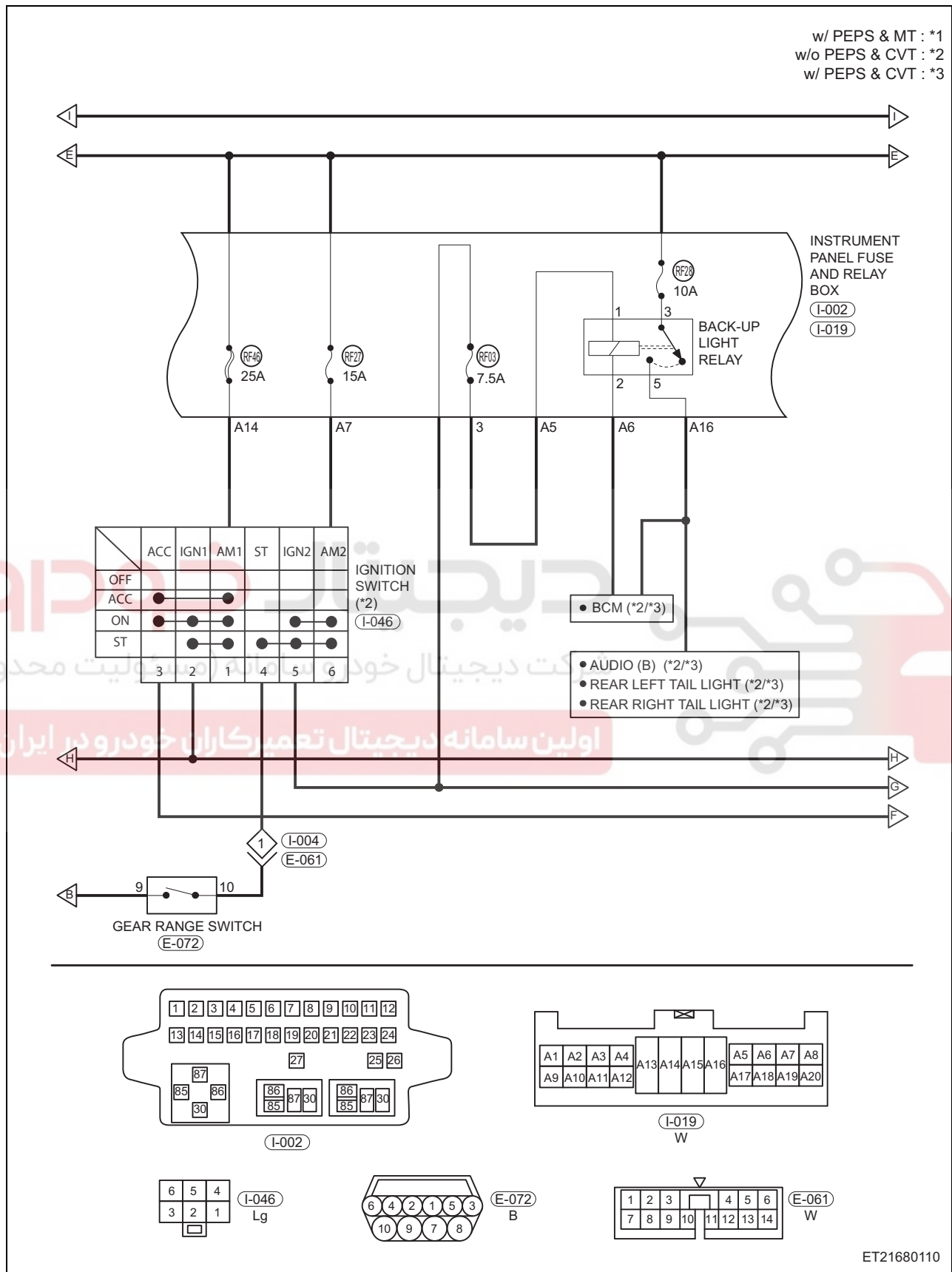
Power Distribution (Page 9 of 16)



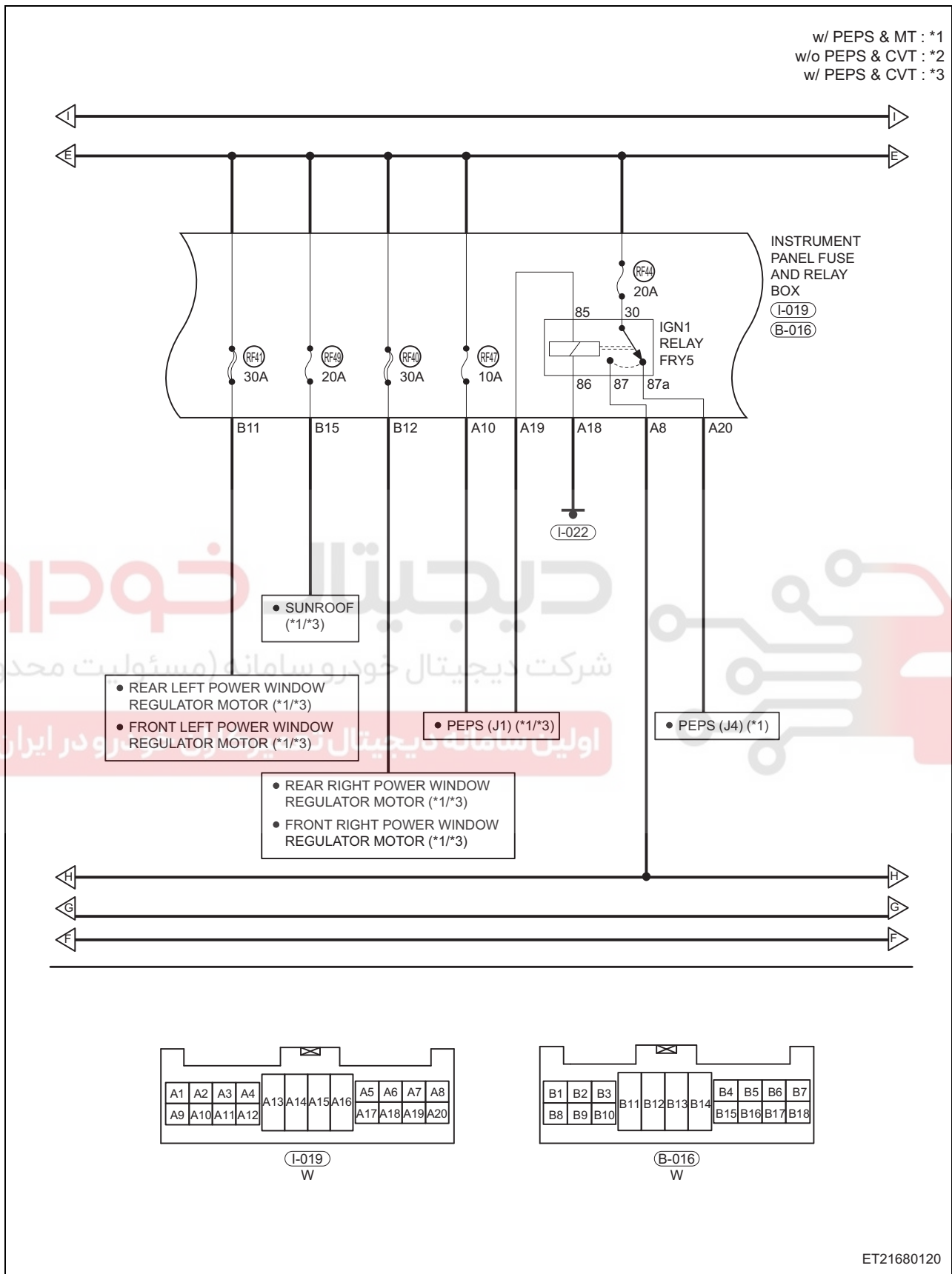
Power Distribution (Page 10 of 16)



Power Distribution (Page 11 of 16)

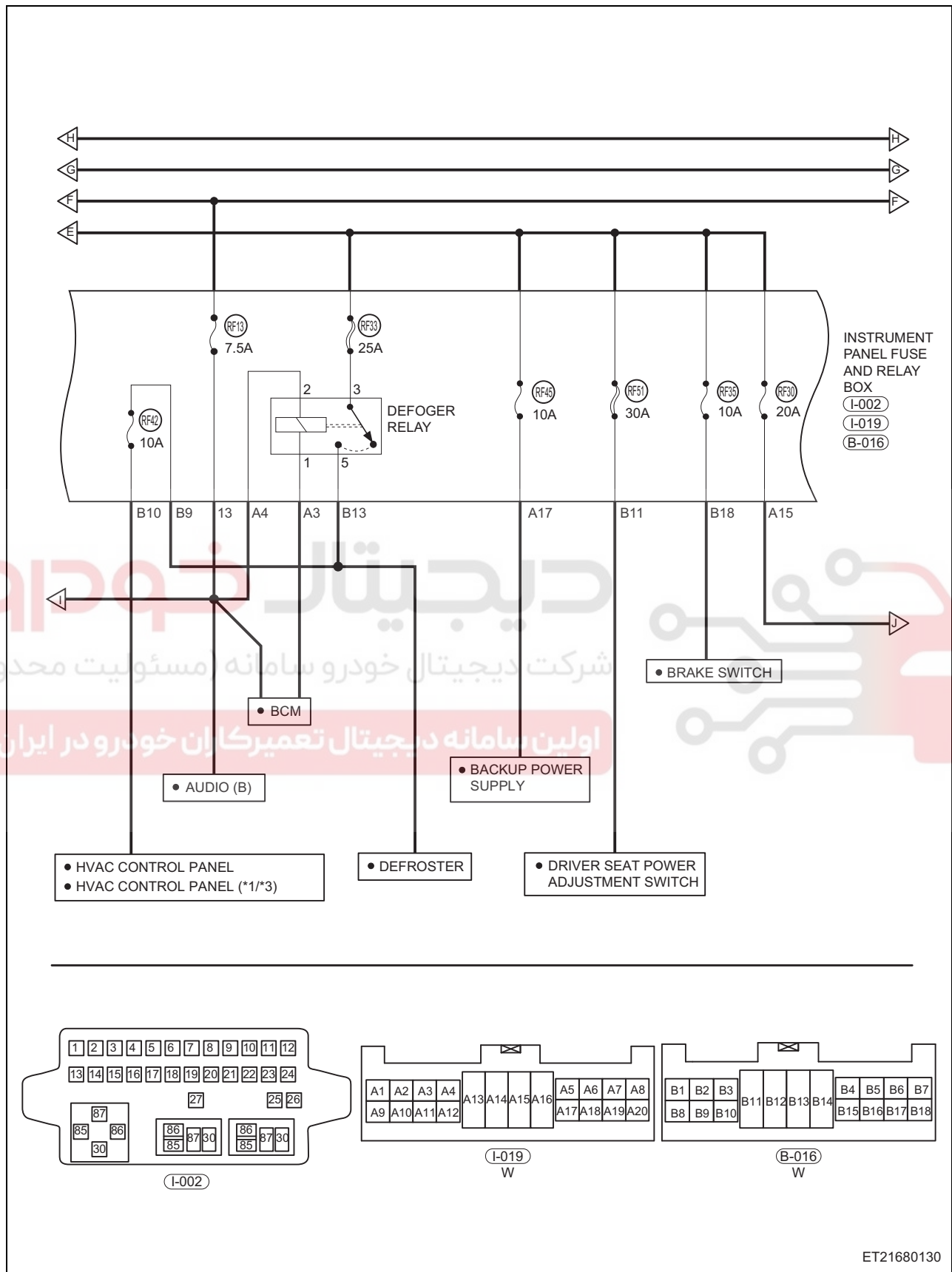


Power Distribution (Page 12 of 16)

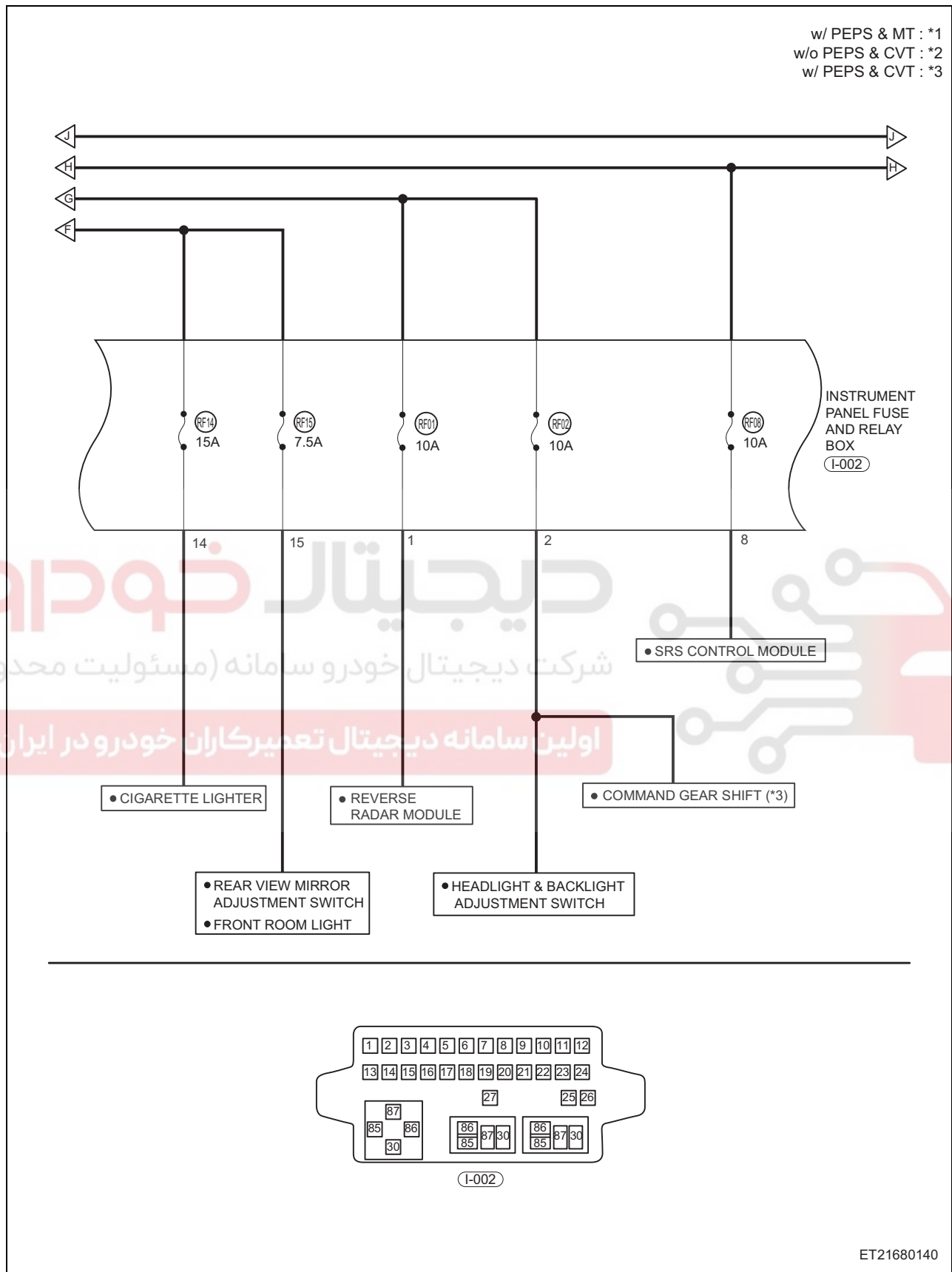


68

Power Distribution (Page 13 of 16)

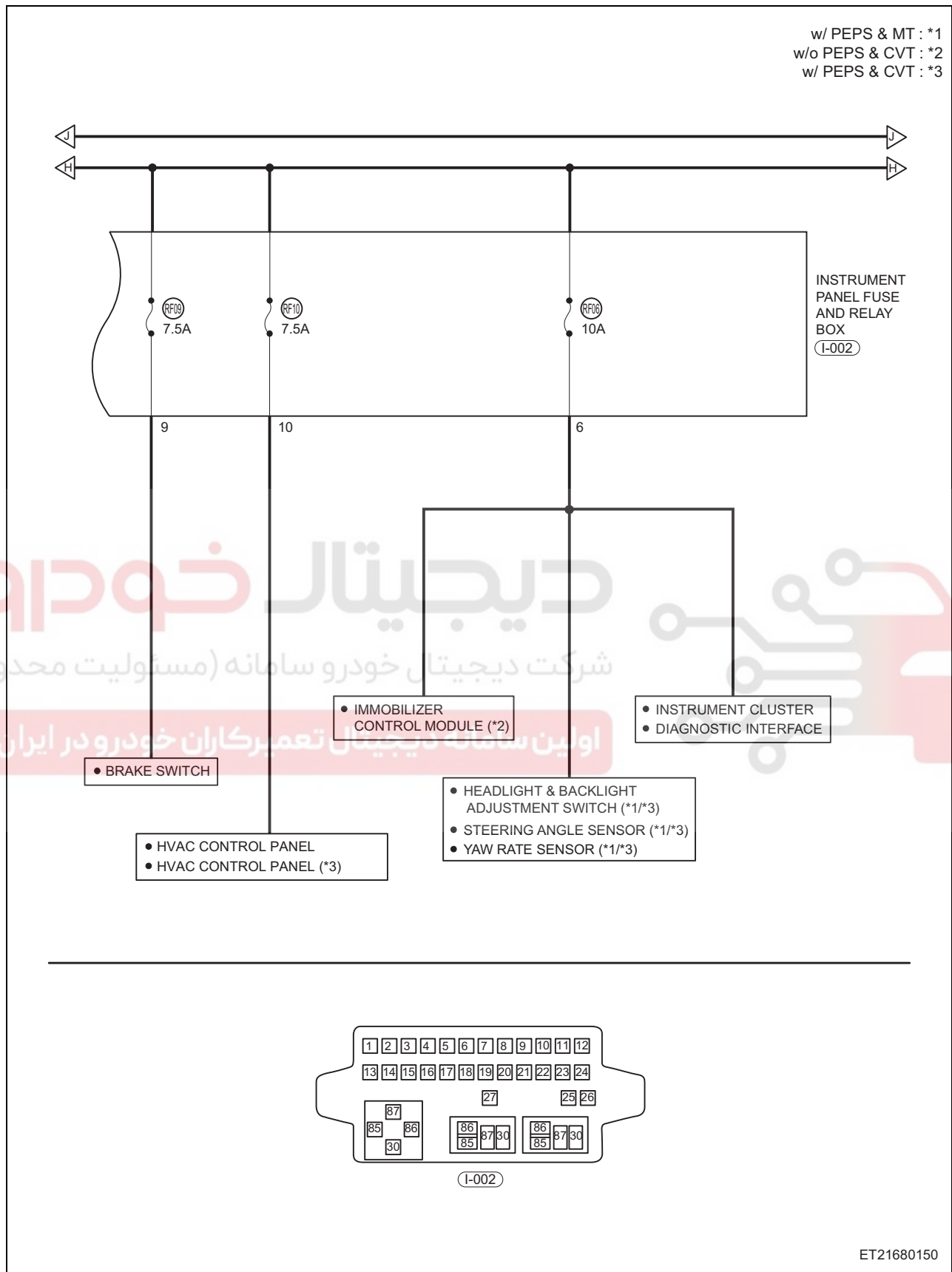


Power Distribution (Page 14 of 16)

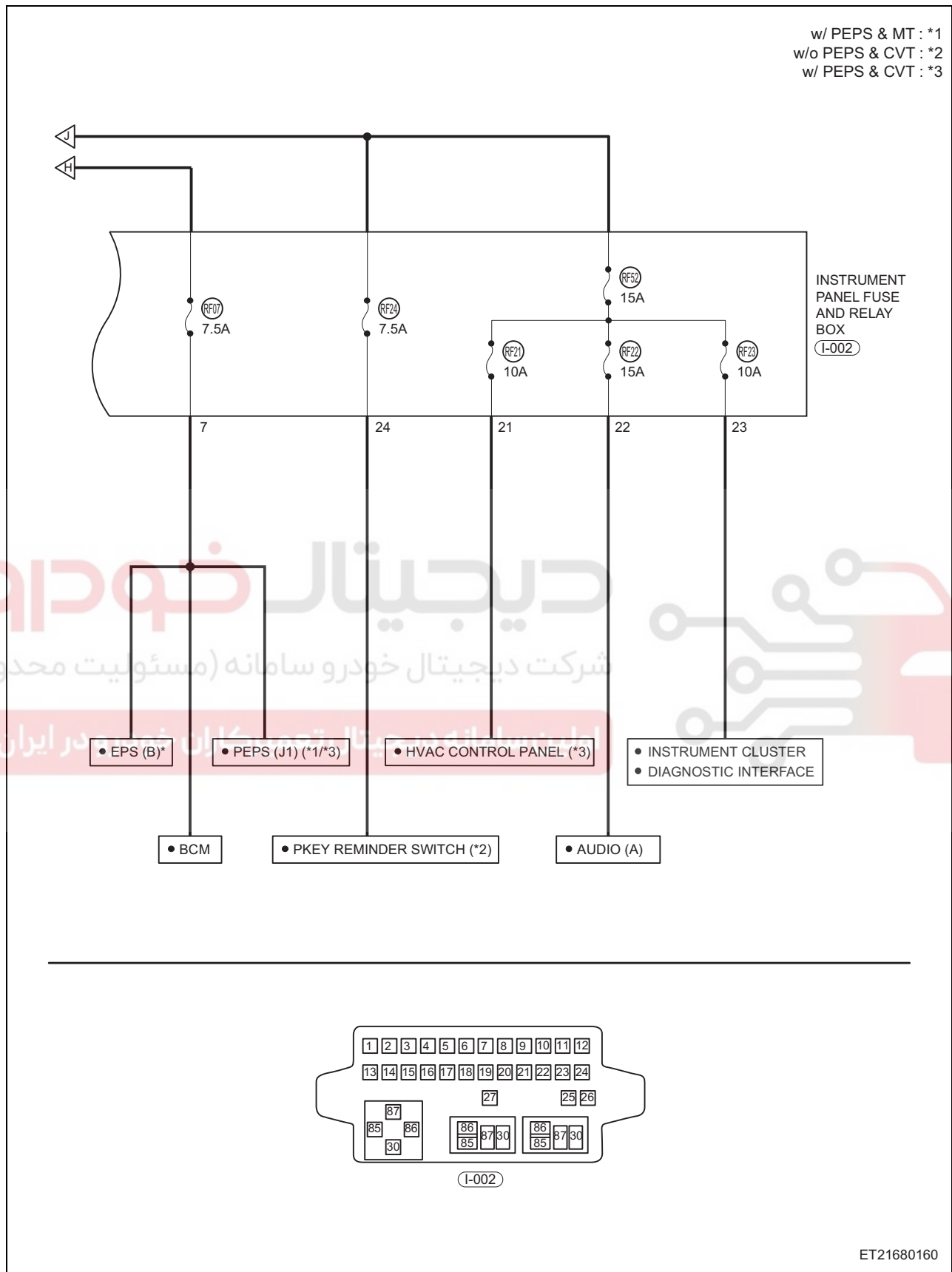


68

Power Distribution (Page 15 of 16)



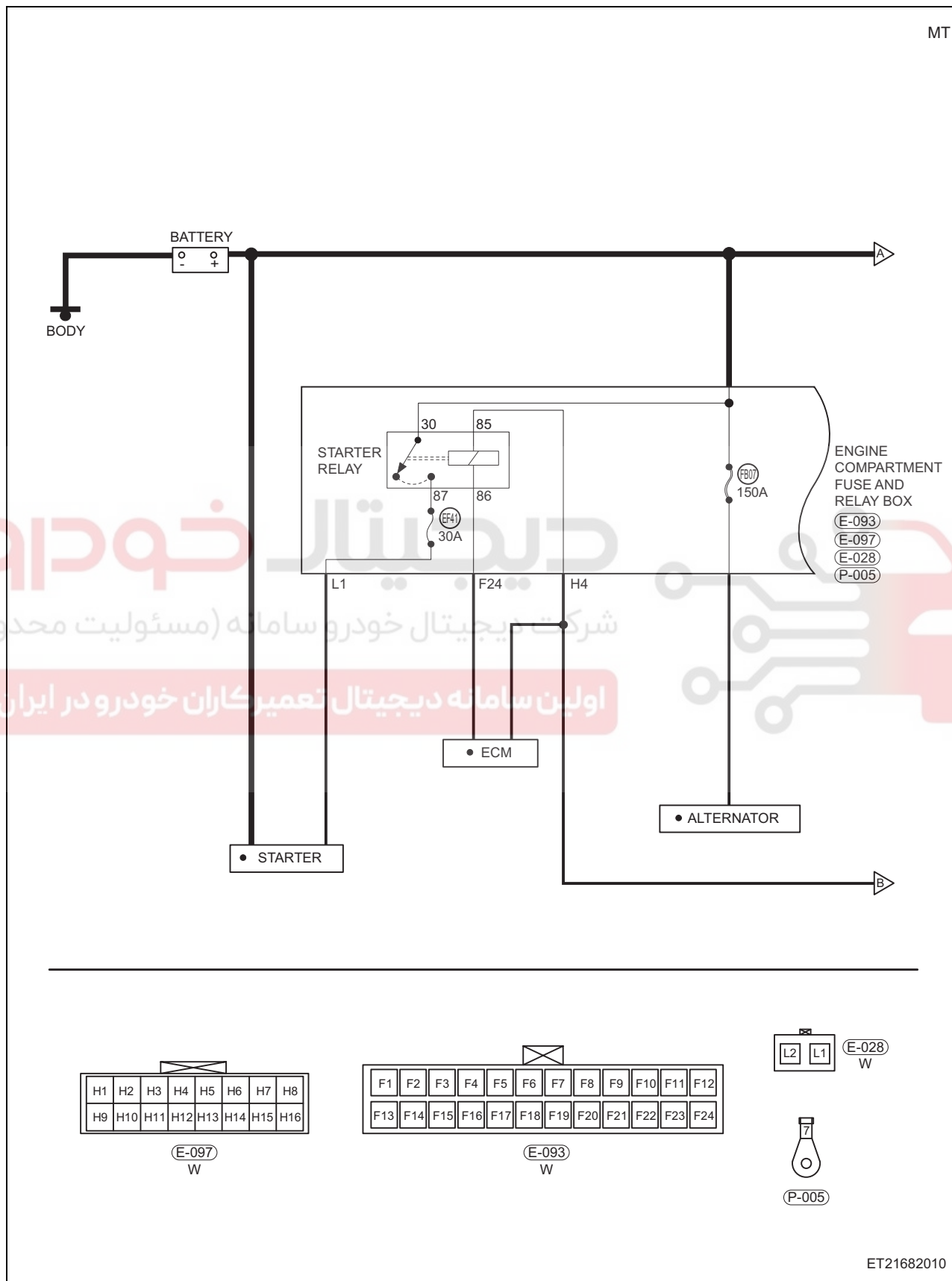
Power Distribution (Page 16 of 16)



68

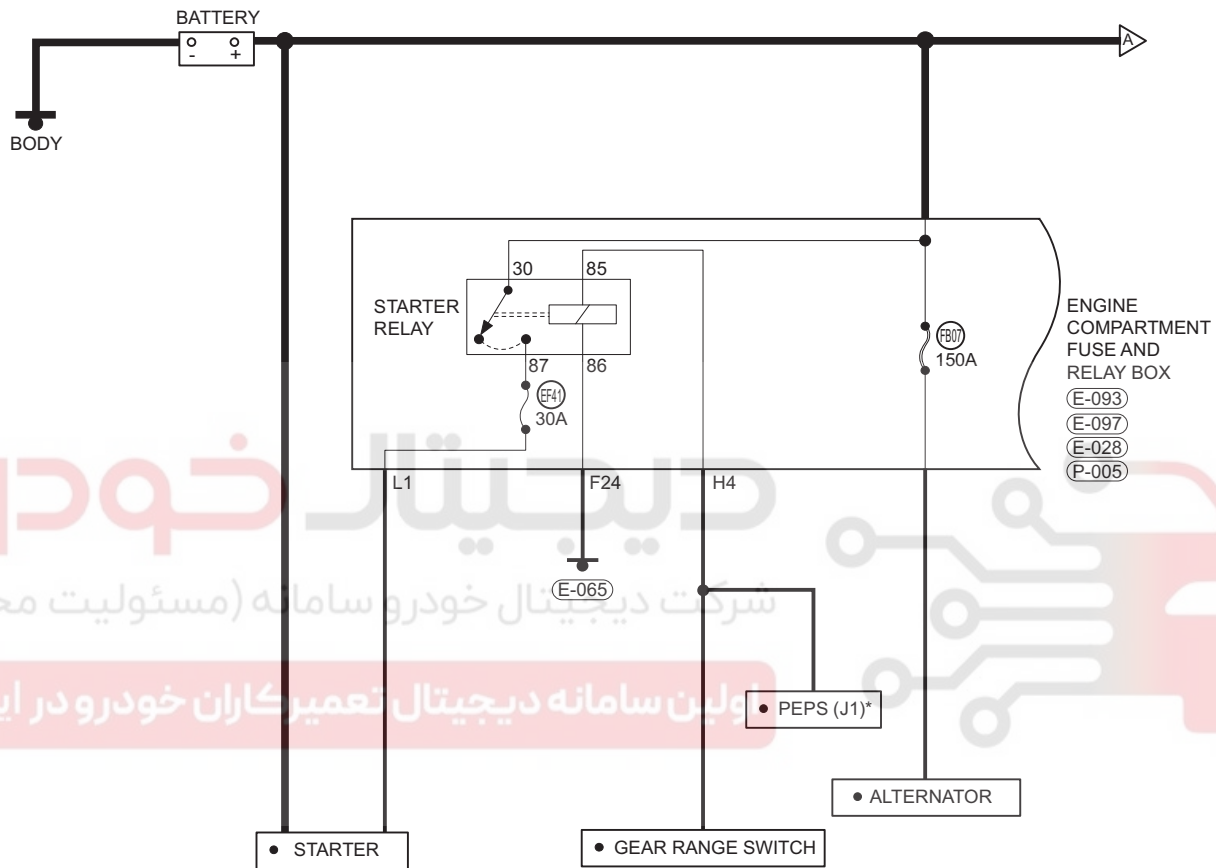
Circuit Distribution (For 2.0L Model)

Power Distribution (Page 1 of 14)

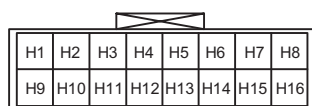


Power Distribution (Page 2 of 14)

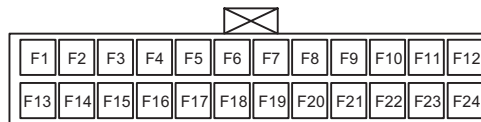
CVT



68



(E-097)
W



(E-093)
W



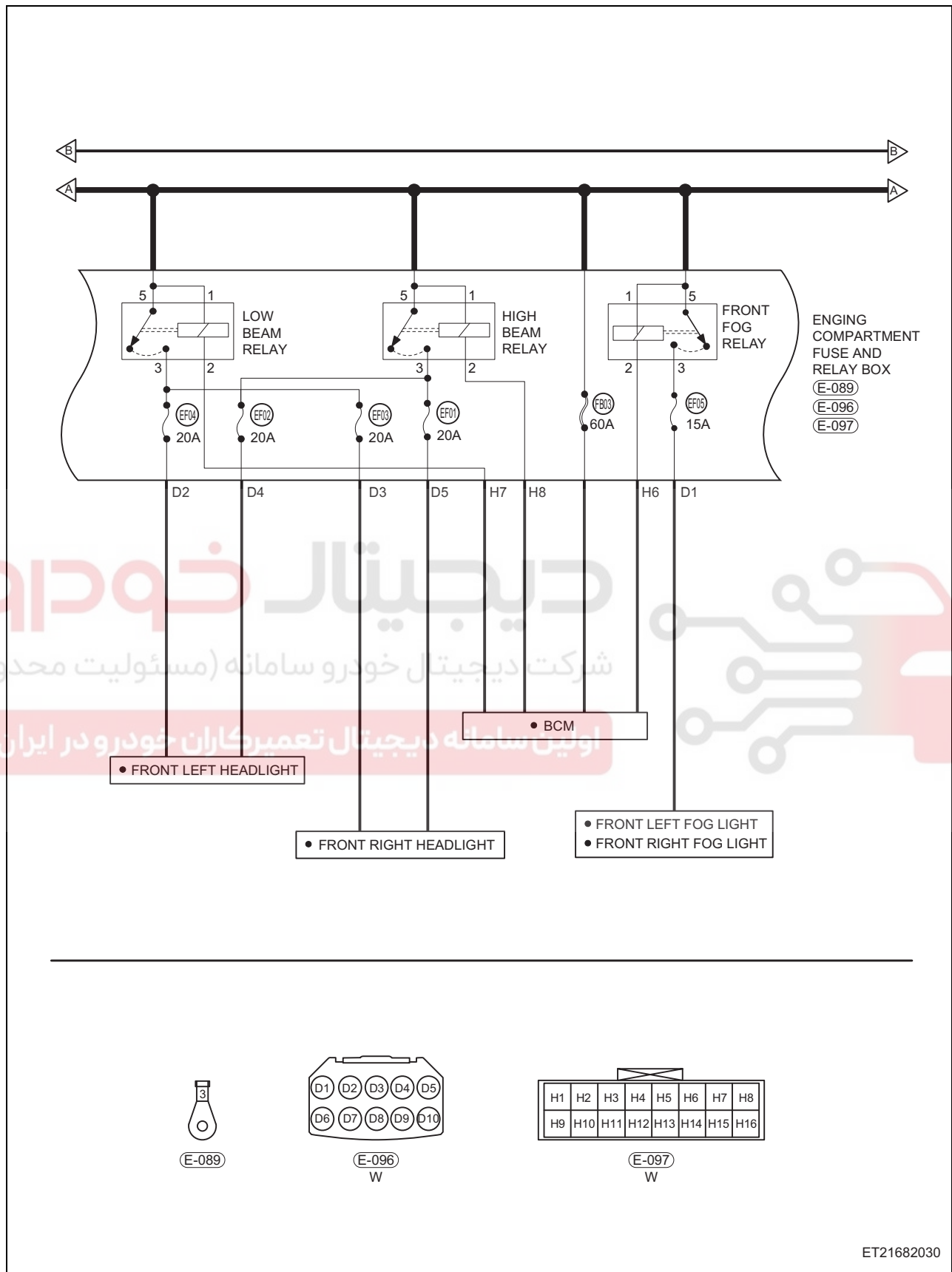
(E-028)
W



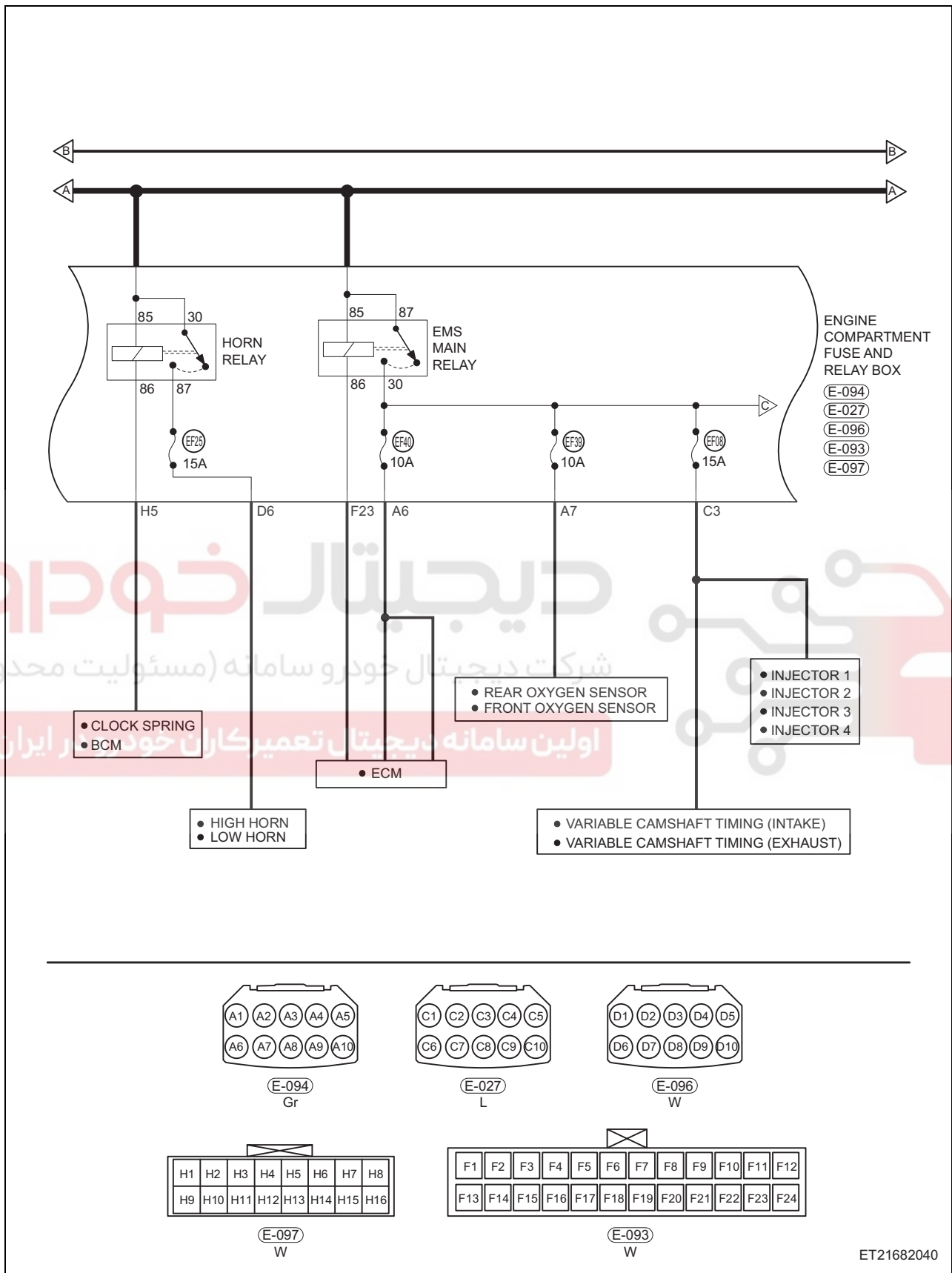
(P-005)

ET21682020

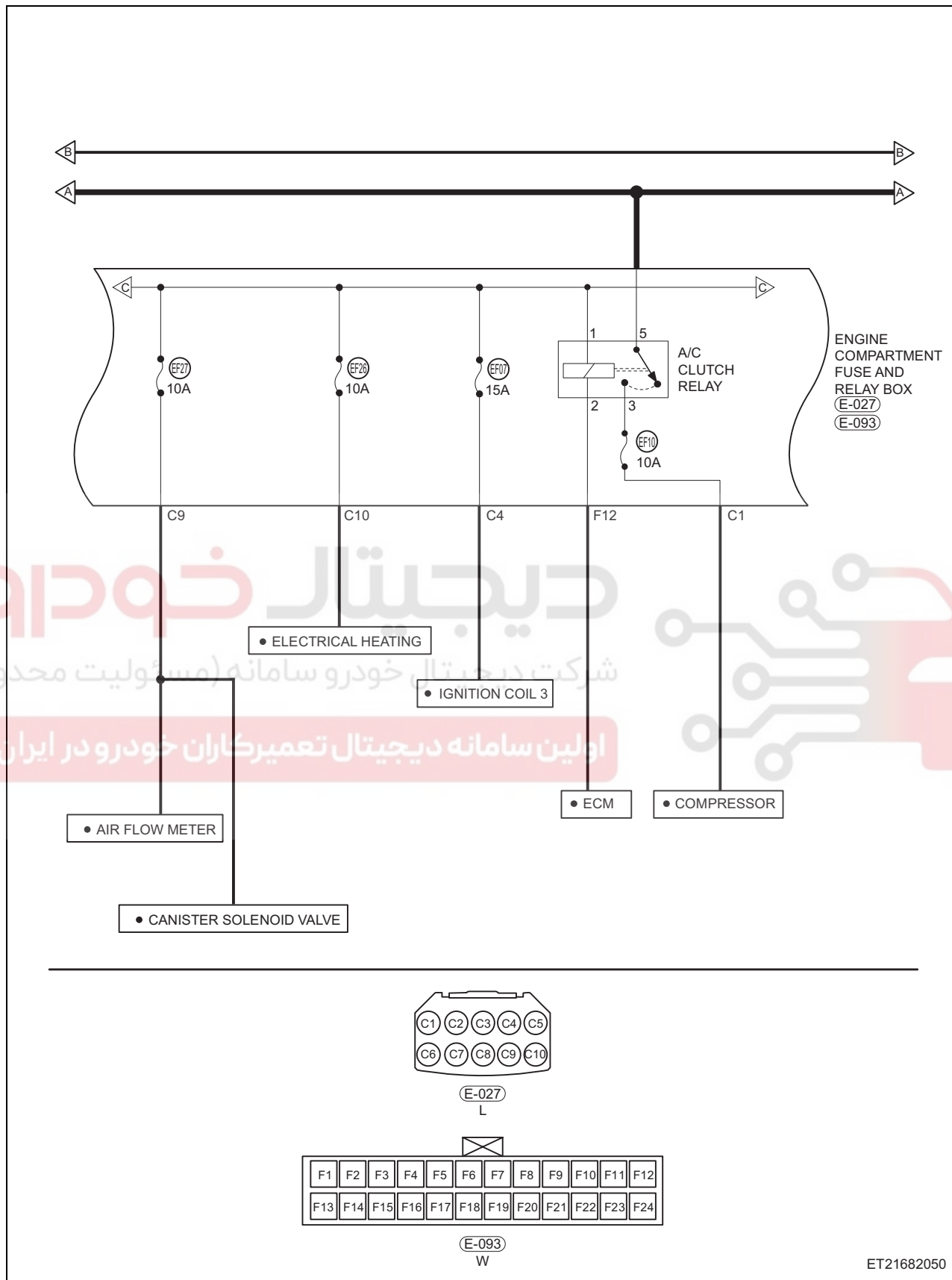
Power Distribution (Page 3 of 14)



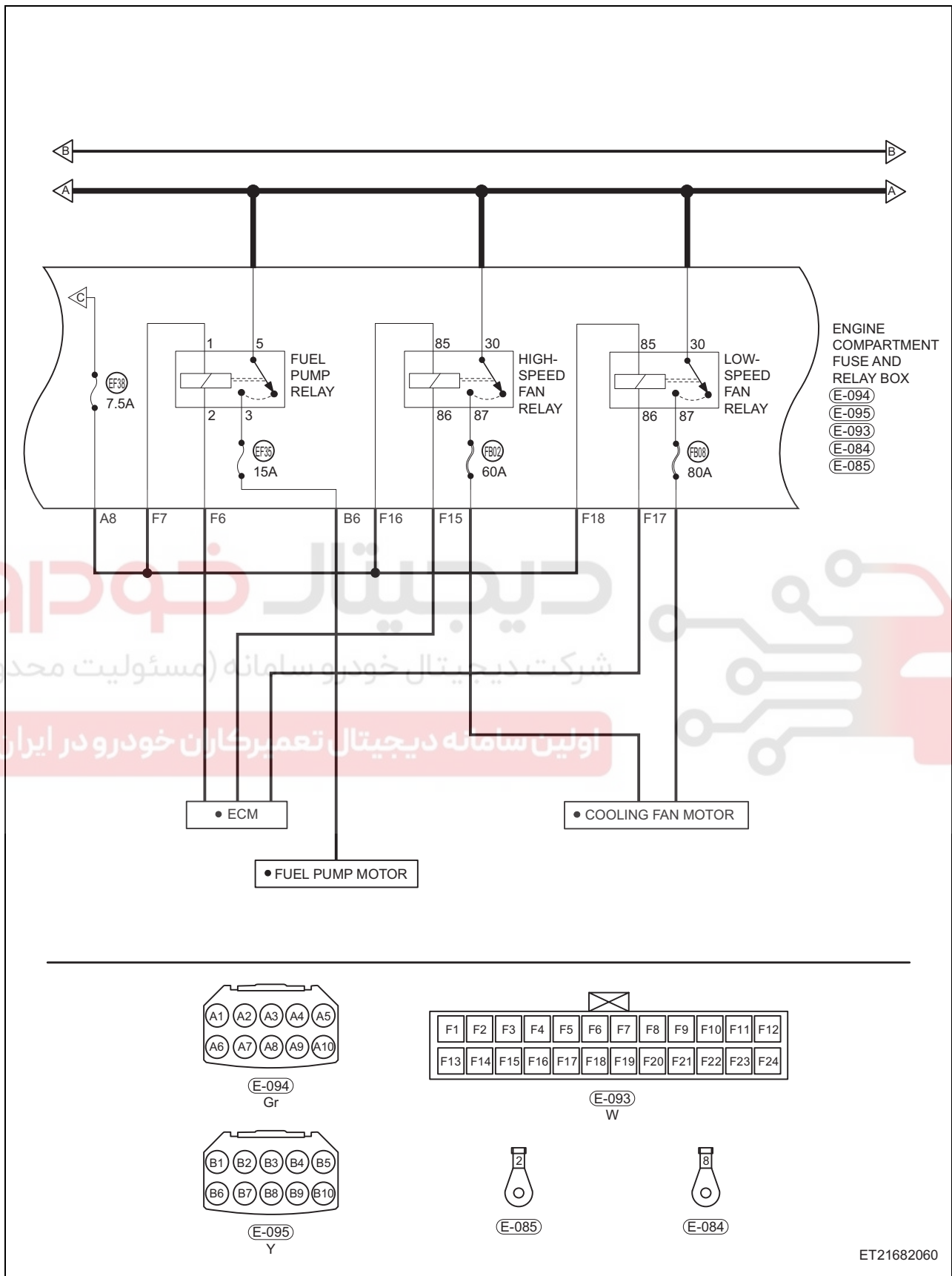
Power Distribution (Page 4 of 14)



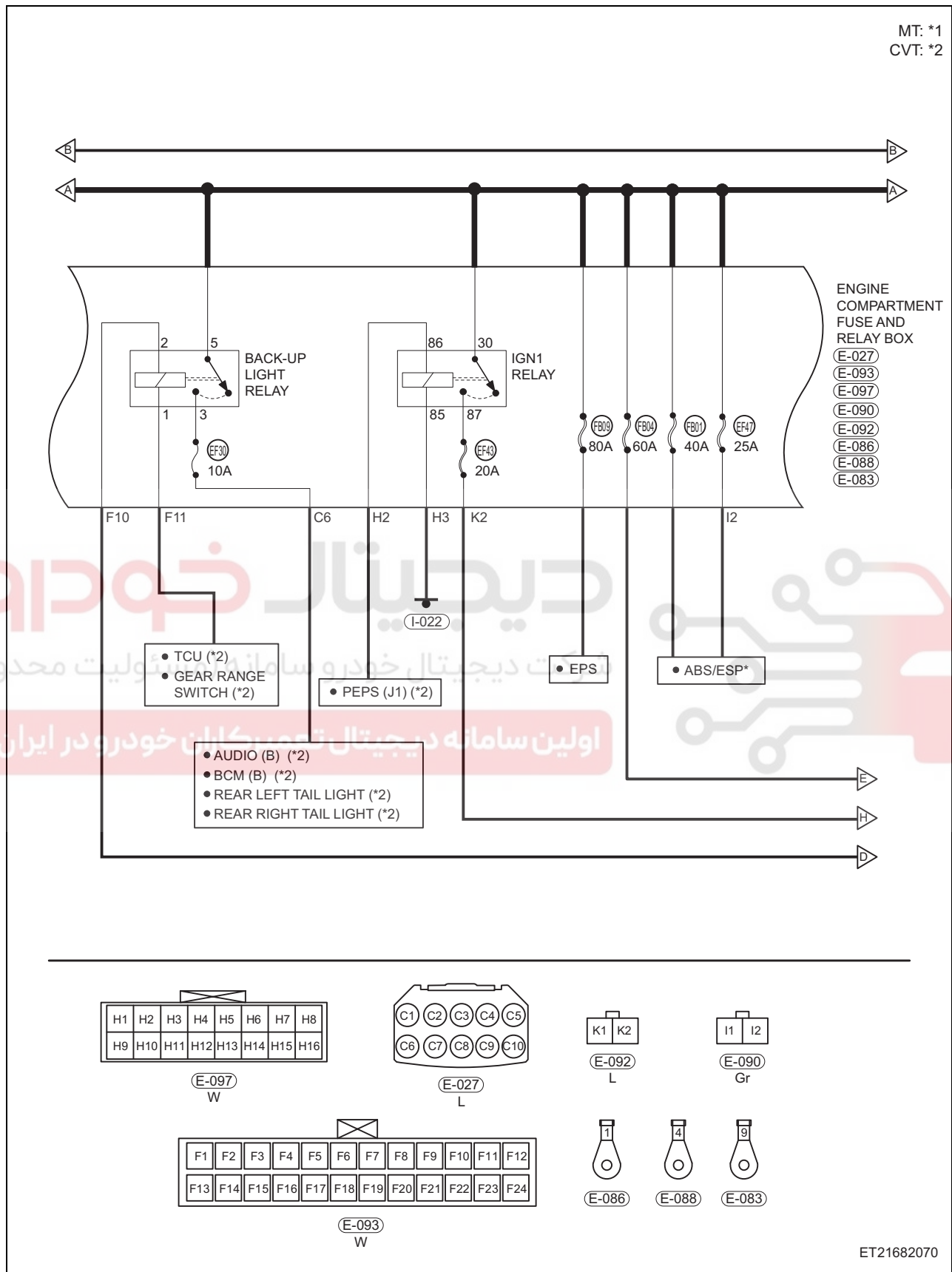
Power Distribution (Page 5 of 14)



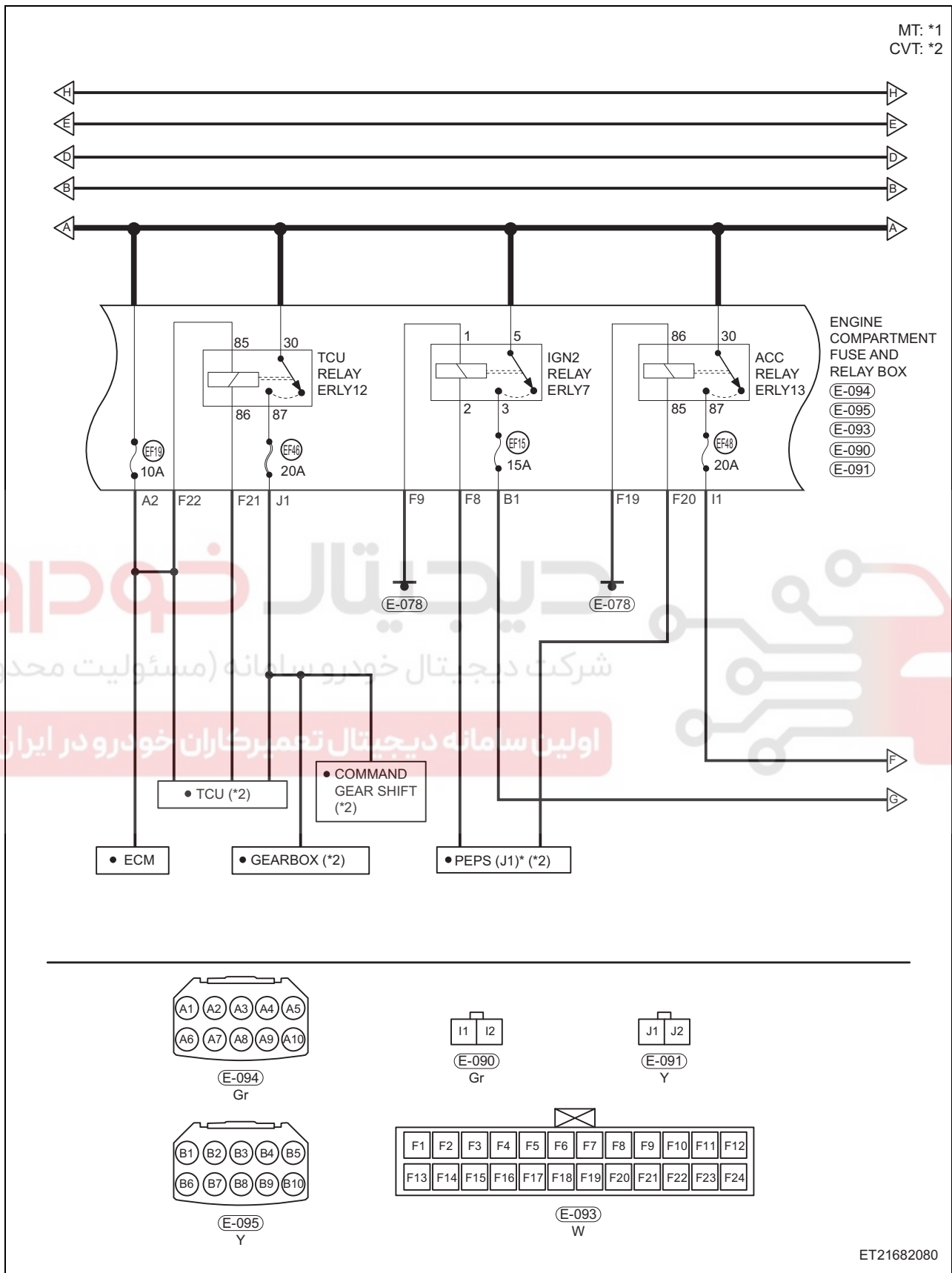
Power Distribution (Page 6 of 14)



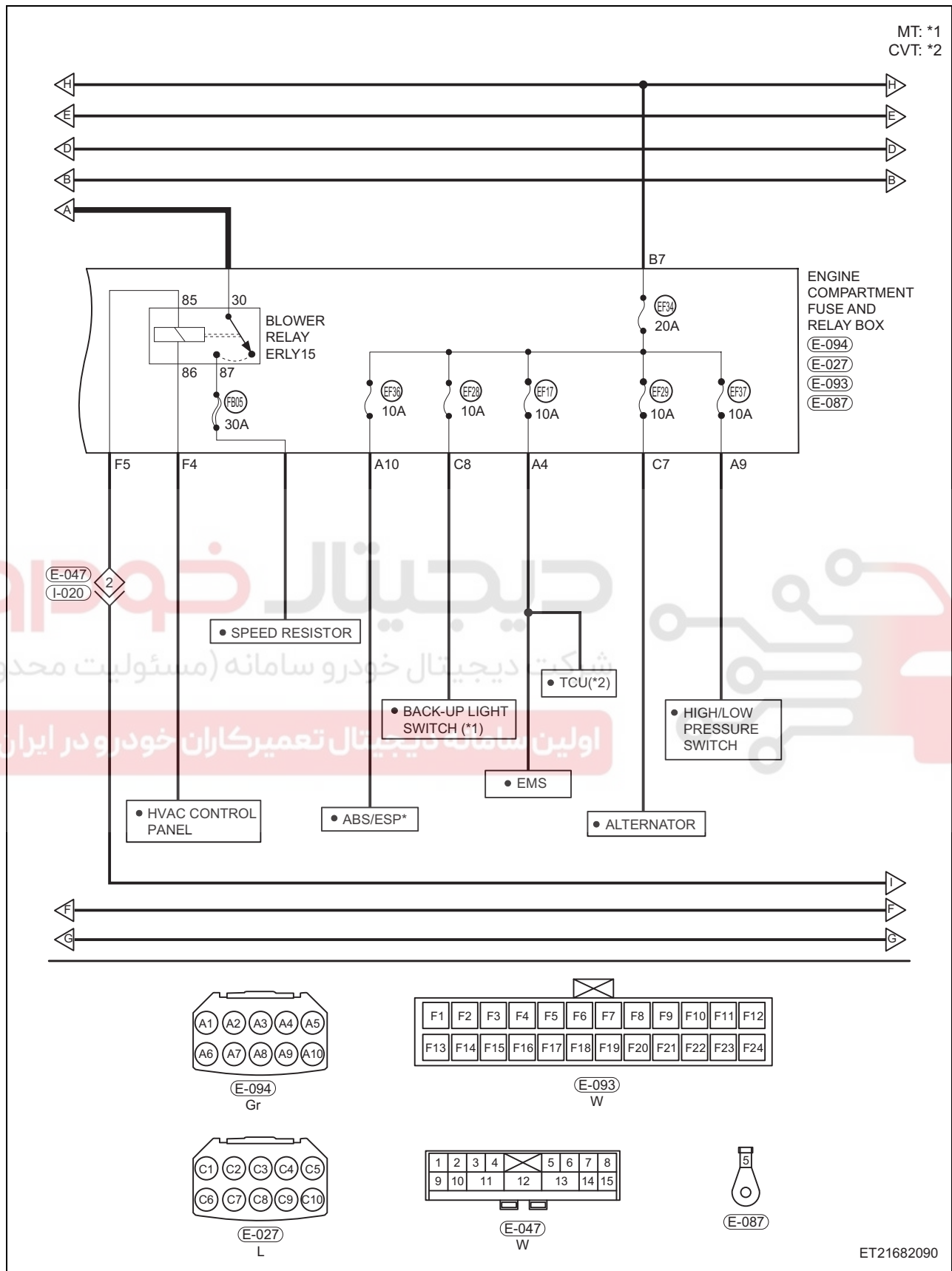
Power Distribution (Page 7 of 14)



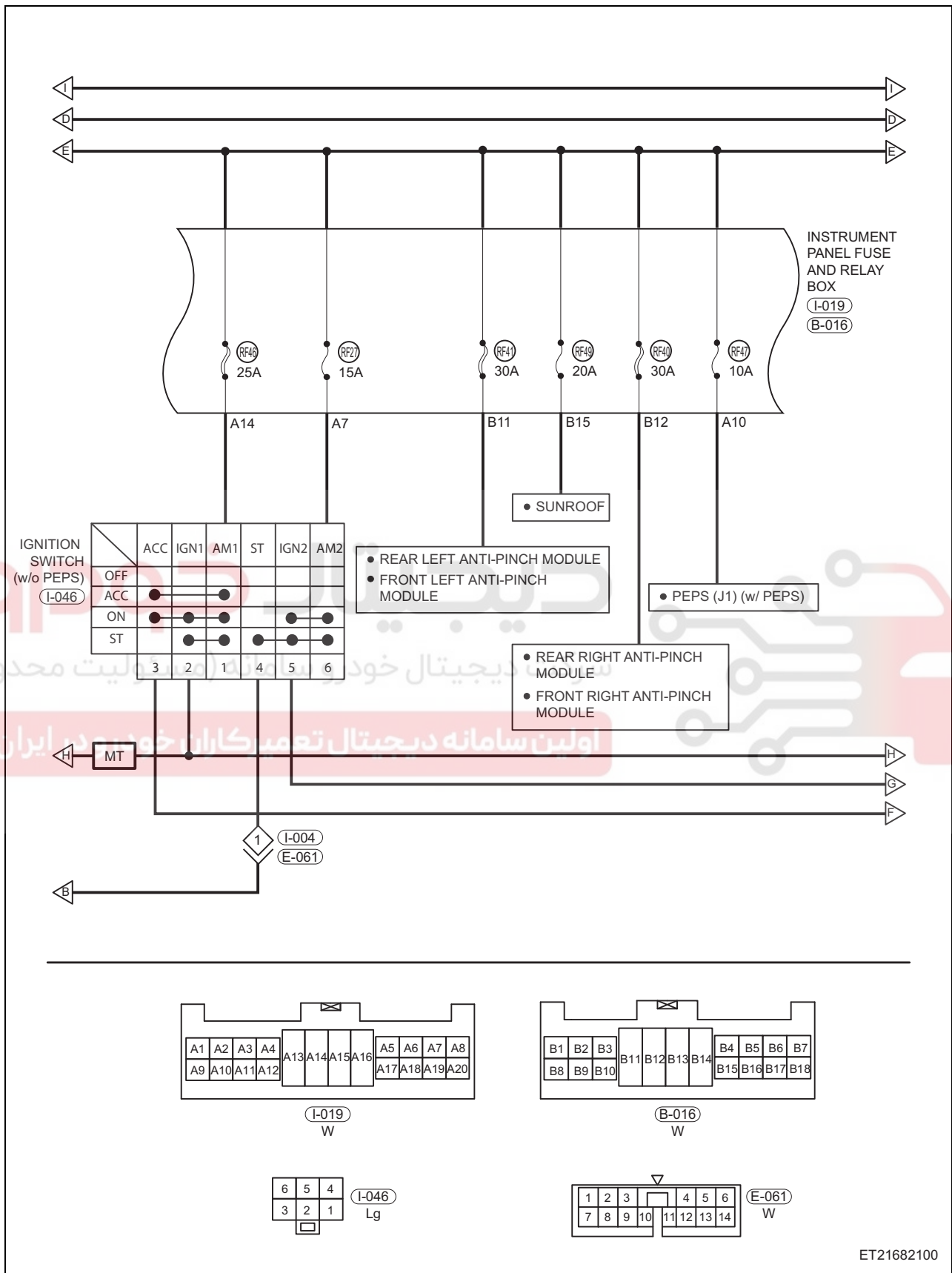
Power Distribution (Page 8 of 14)



Power Distribution (Page 9 of 14)

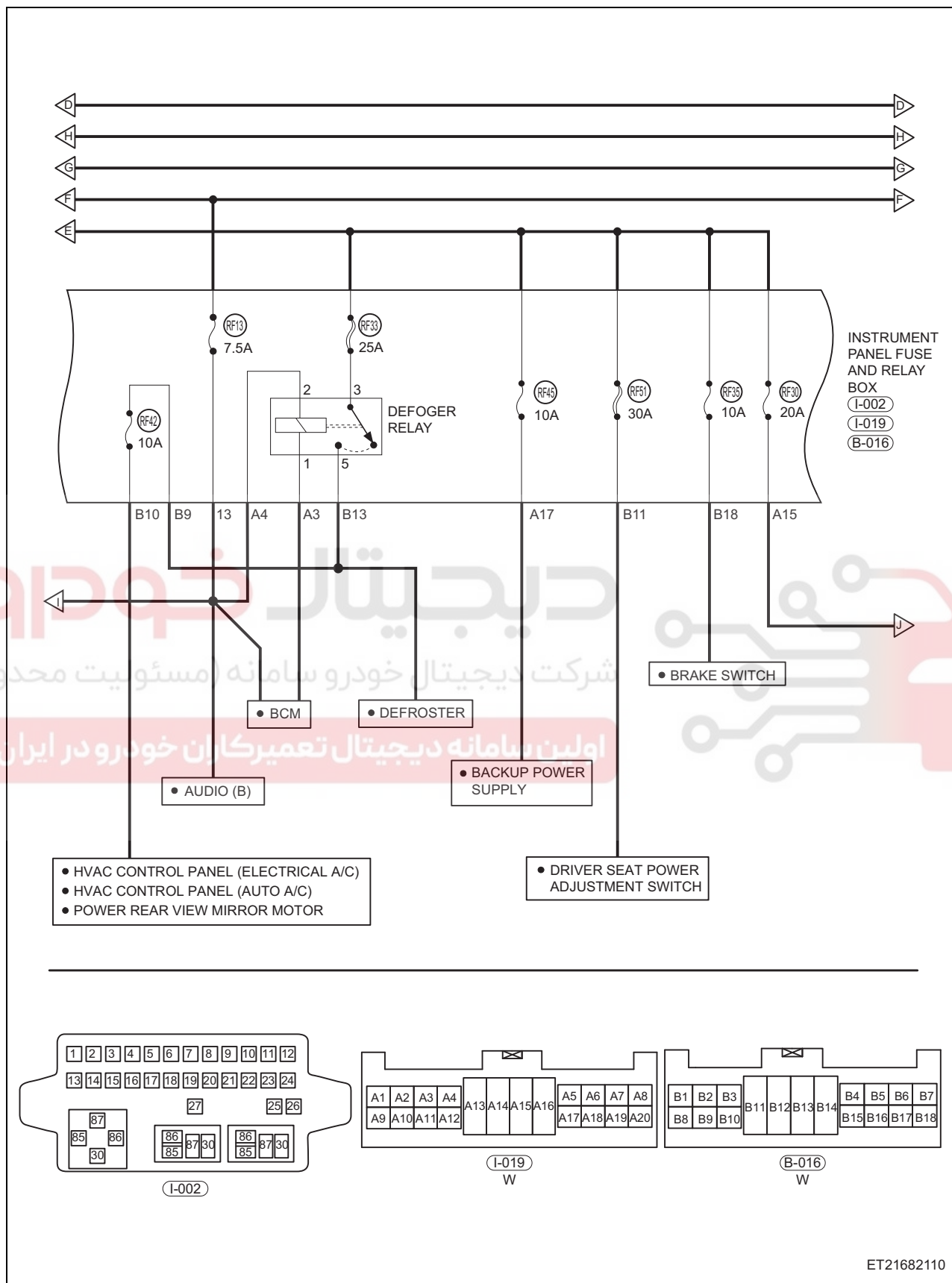


Power Distribution (Page 10 of 14)

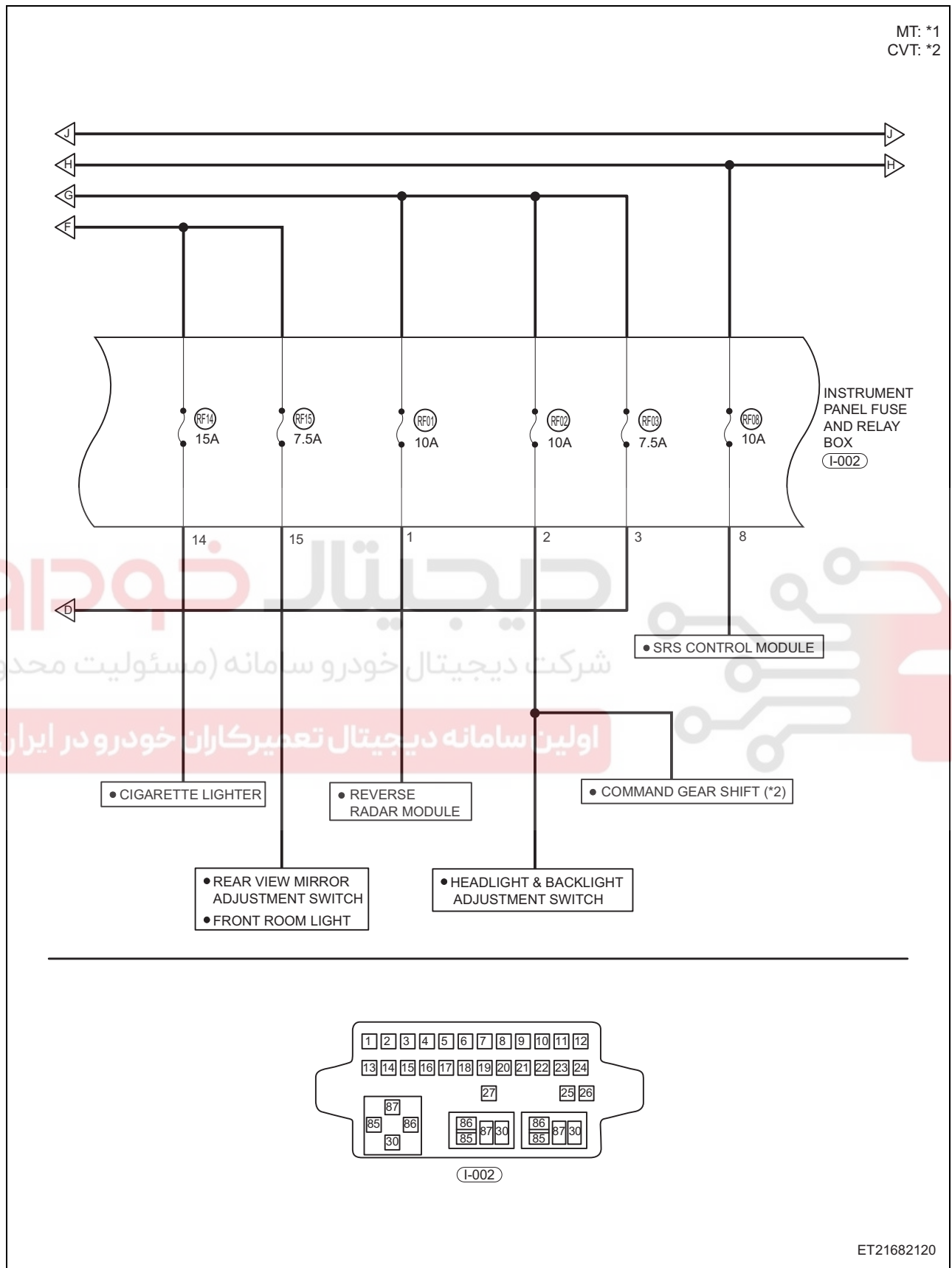


68

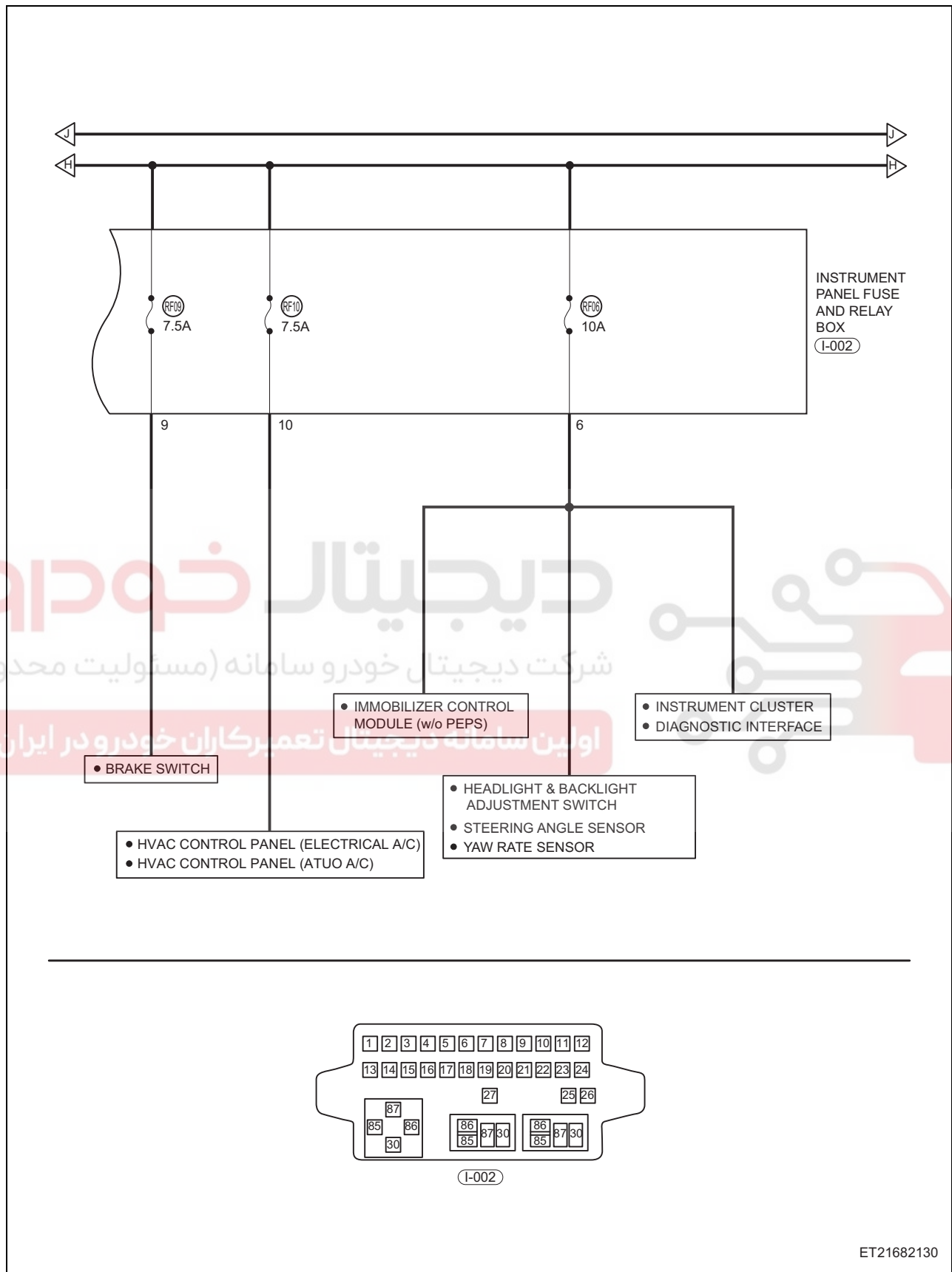
Power Distribution (Page 11 of 14)



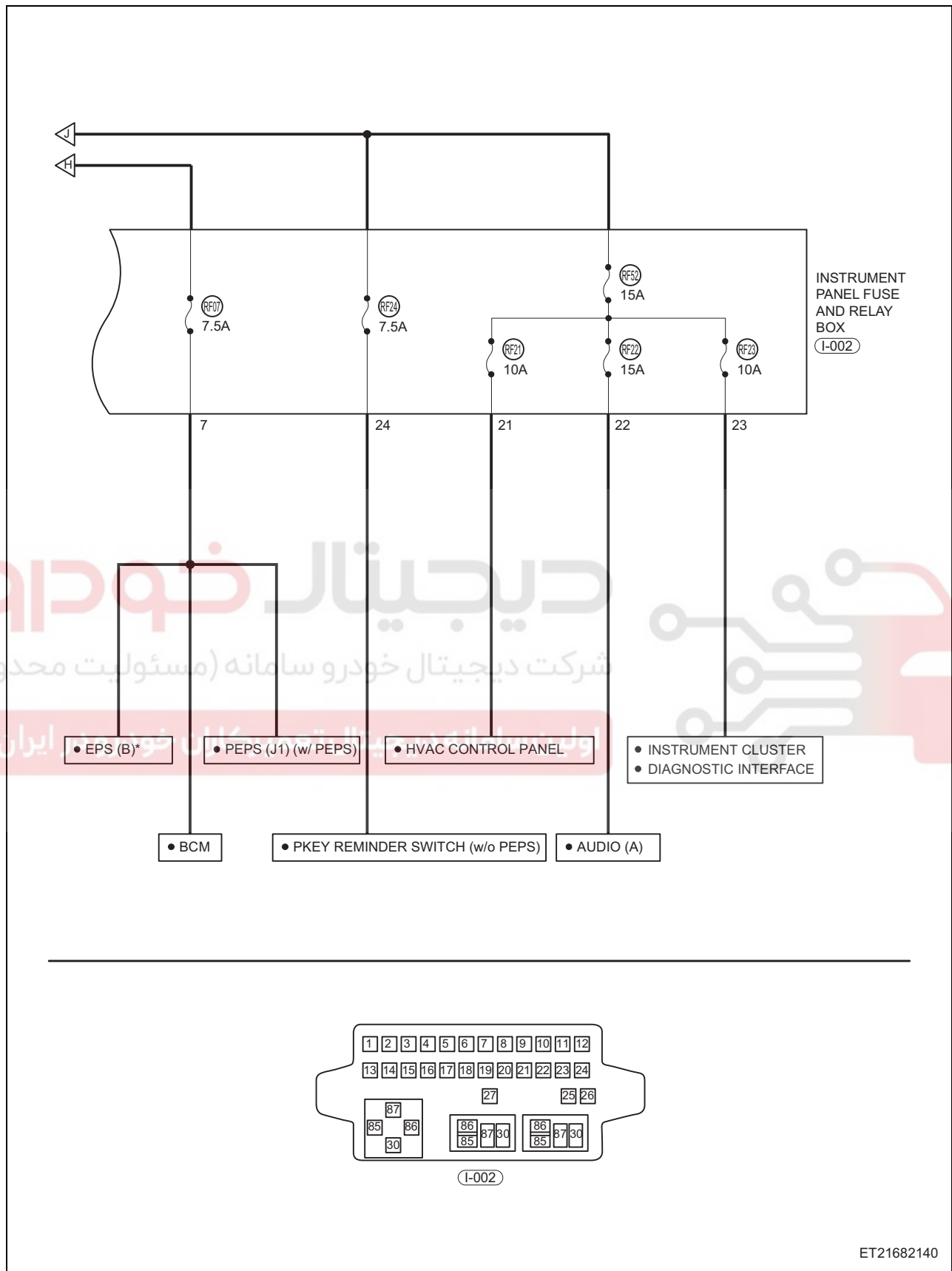
Power Distribution (Page 12 of 14)



Power Distribution (Page 13 of 14)



Power Distribution (Page 14 of 14)



68

ET21682140

VEHICLE GROUND DISTRIBUTION

General Information

Description

Ground distribution system provides the centralized and convenient information about ground positions for electrical equipment on entire vehicle. Technicians can find relevant electrical equipment quickly through the ground points and solve problem accurately and efficiently.

دیجیتال خودرو

شرکت دیجیتال خودرو سامانه (مسئولیت محدود)

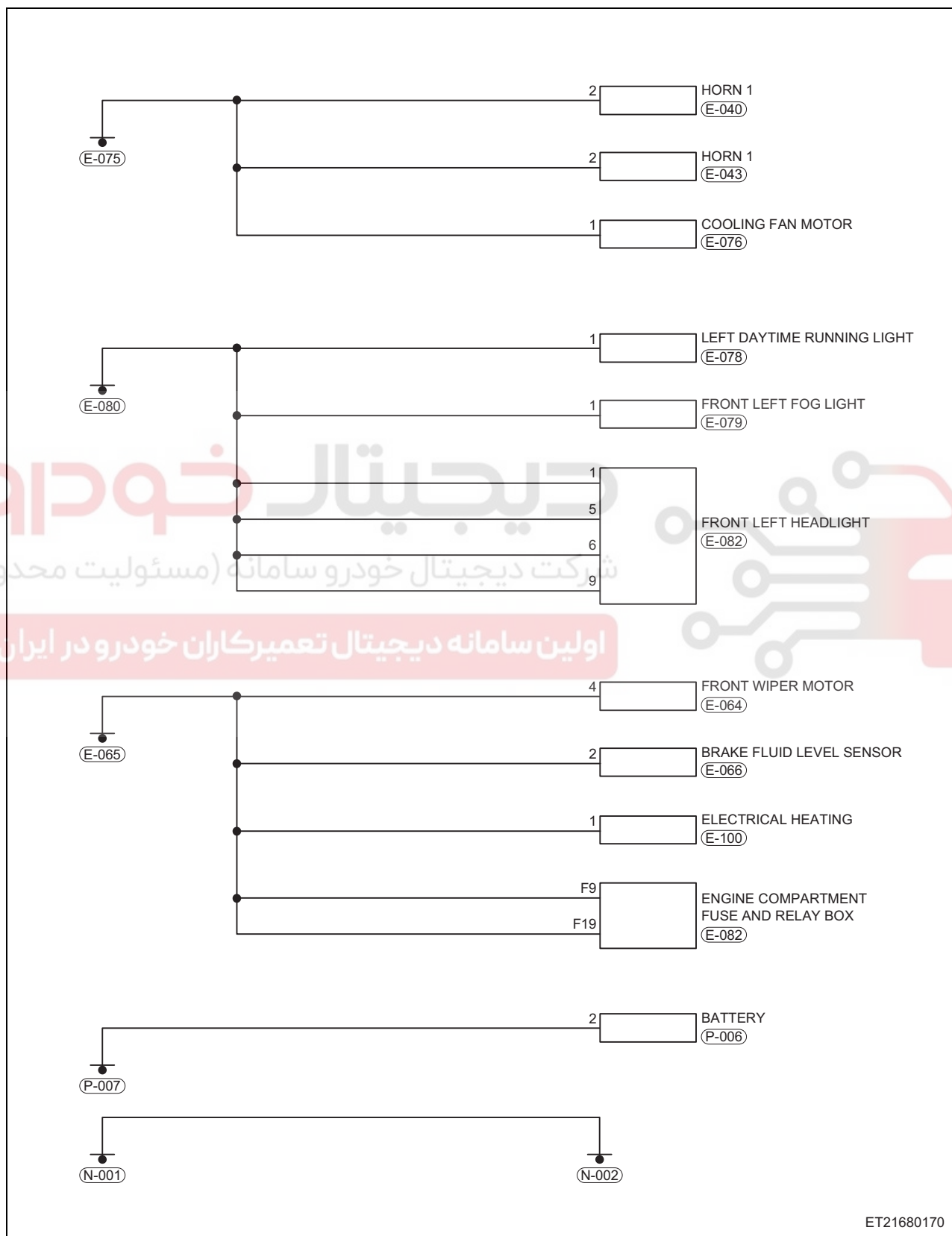
اولین سامانه دیجیتال تعمیرکاران خودرو در ایران



Circuit Diagram (For 1.5TL Model)

Ground Distribution

Ground Distribution (Page 1 of 7)

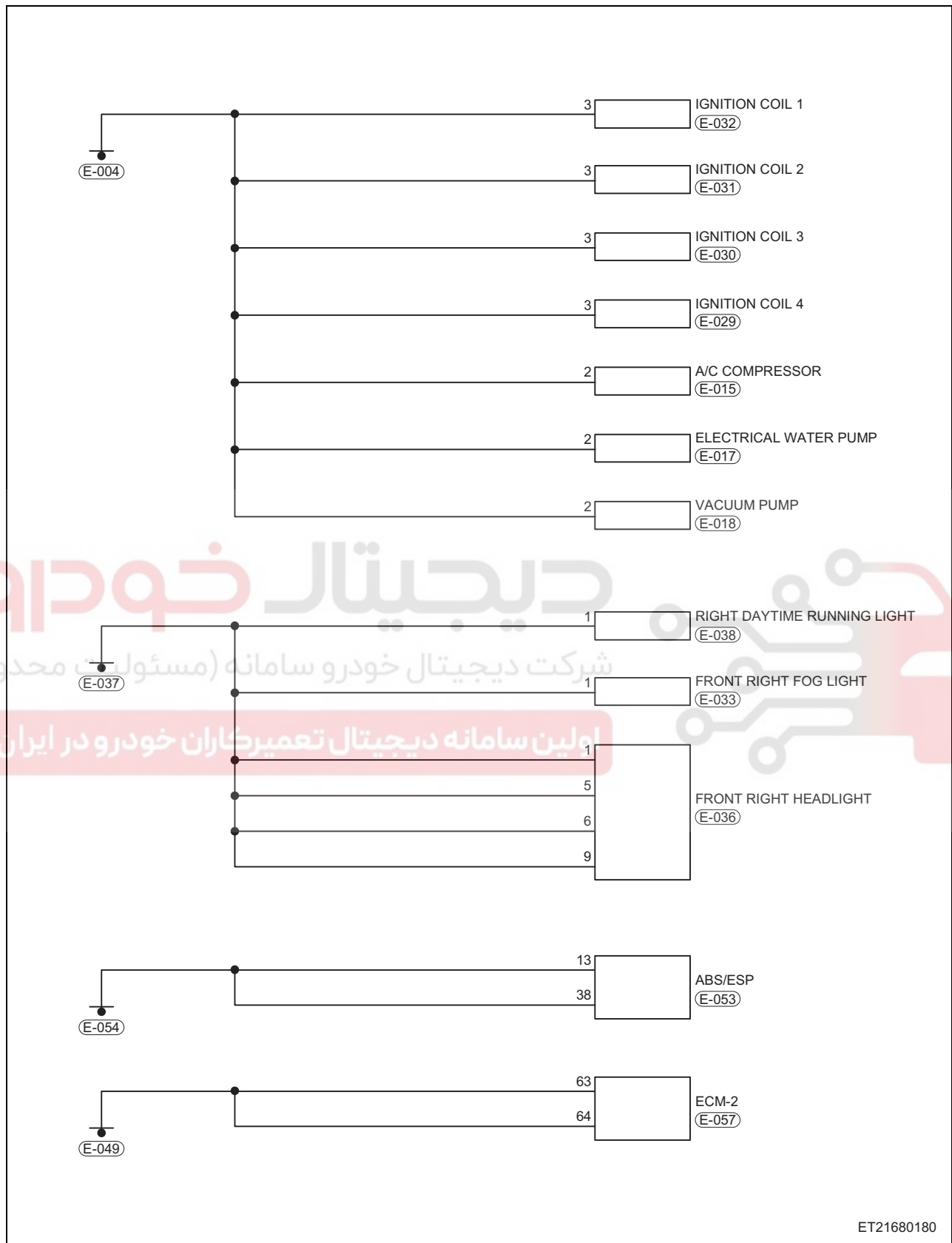


68



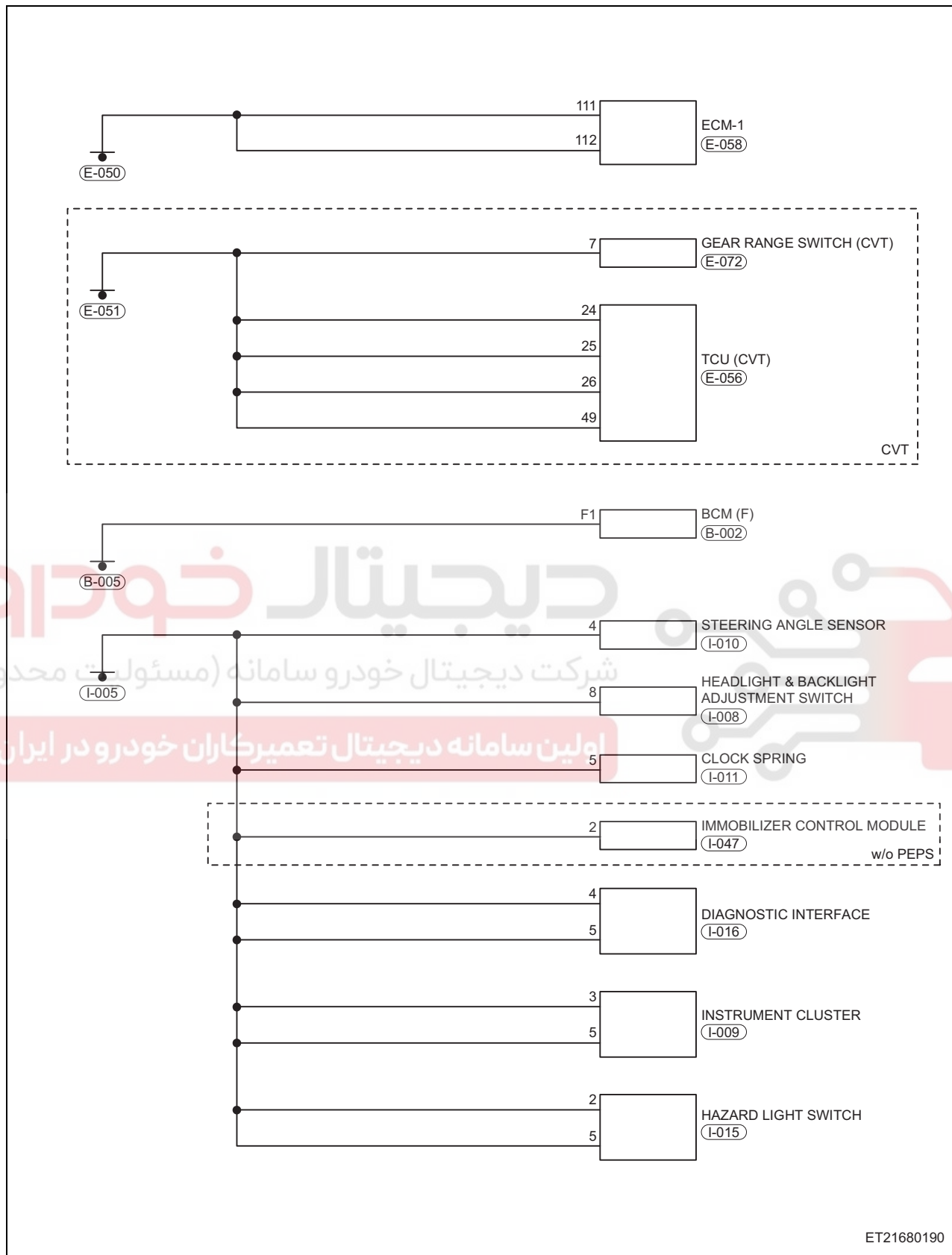
ET21680170

Ground Distribution (Page 2 of 7)

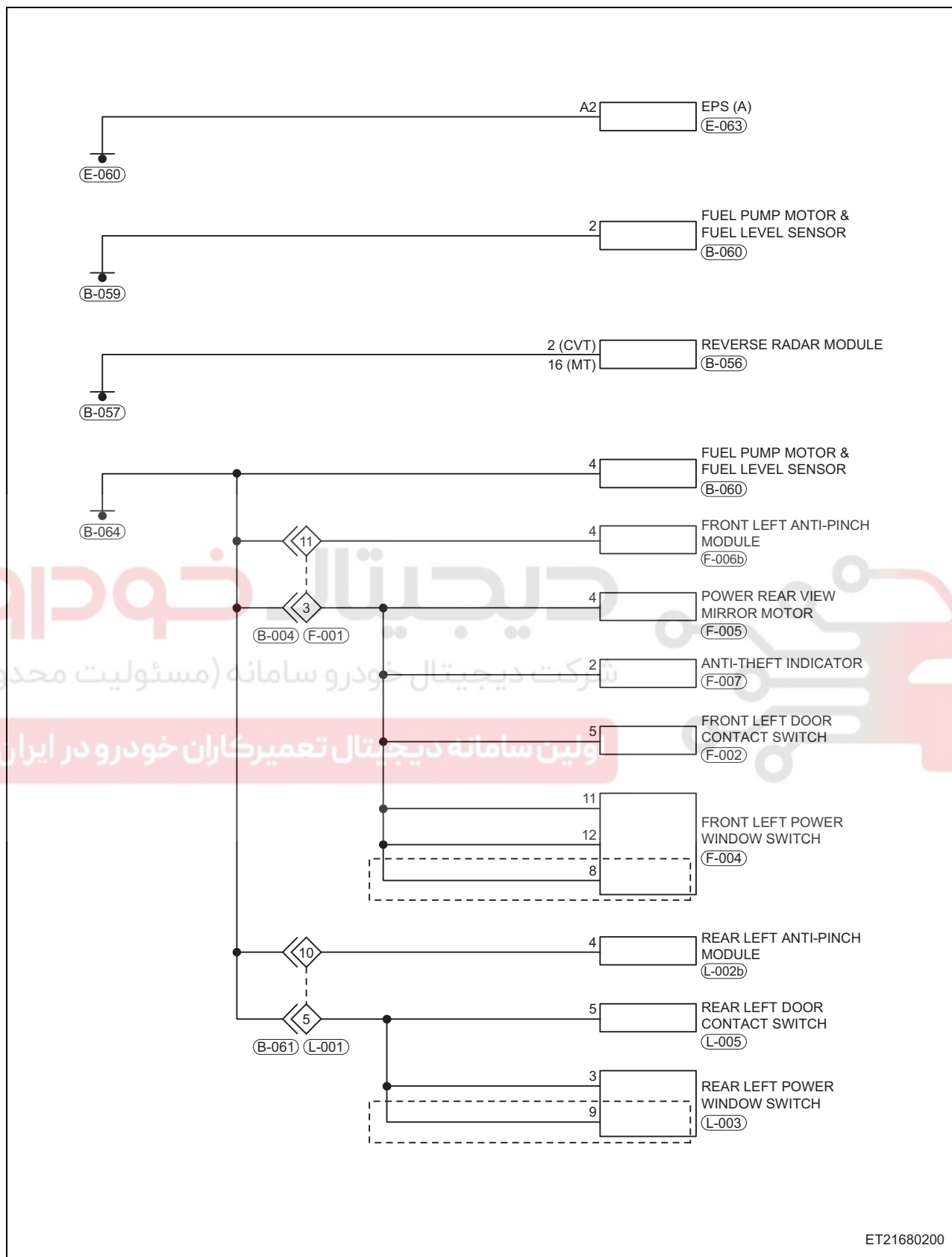


ET21680180

Ground Distribution (Page 3 of 7)

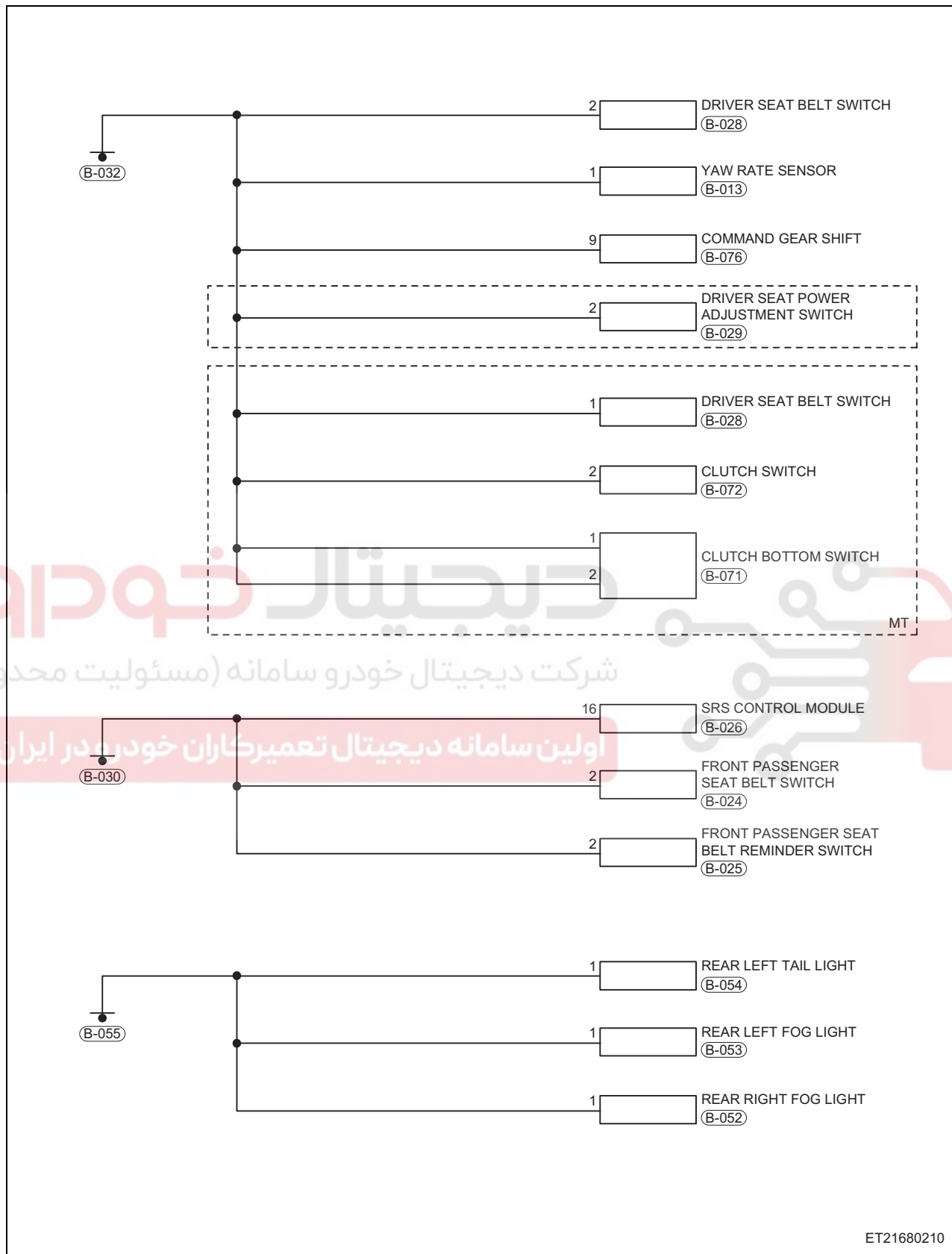


Ground Distribution (Page 4 of 7)



ET21680200

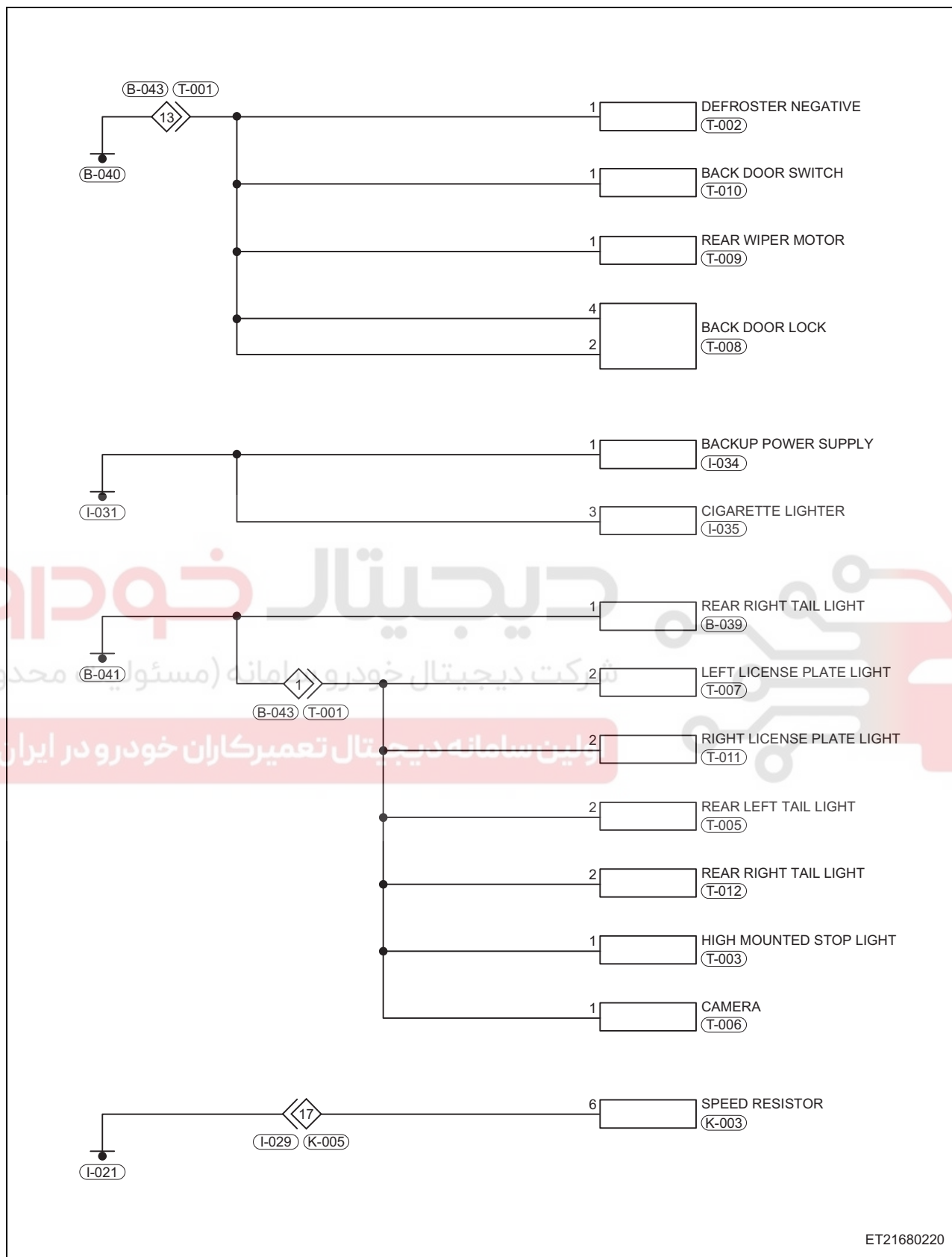
Ground Distribution (Page 5 of 7)



68

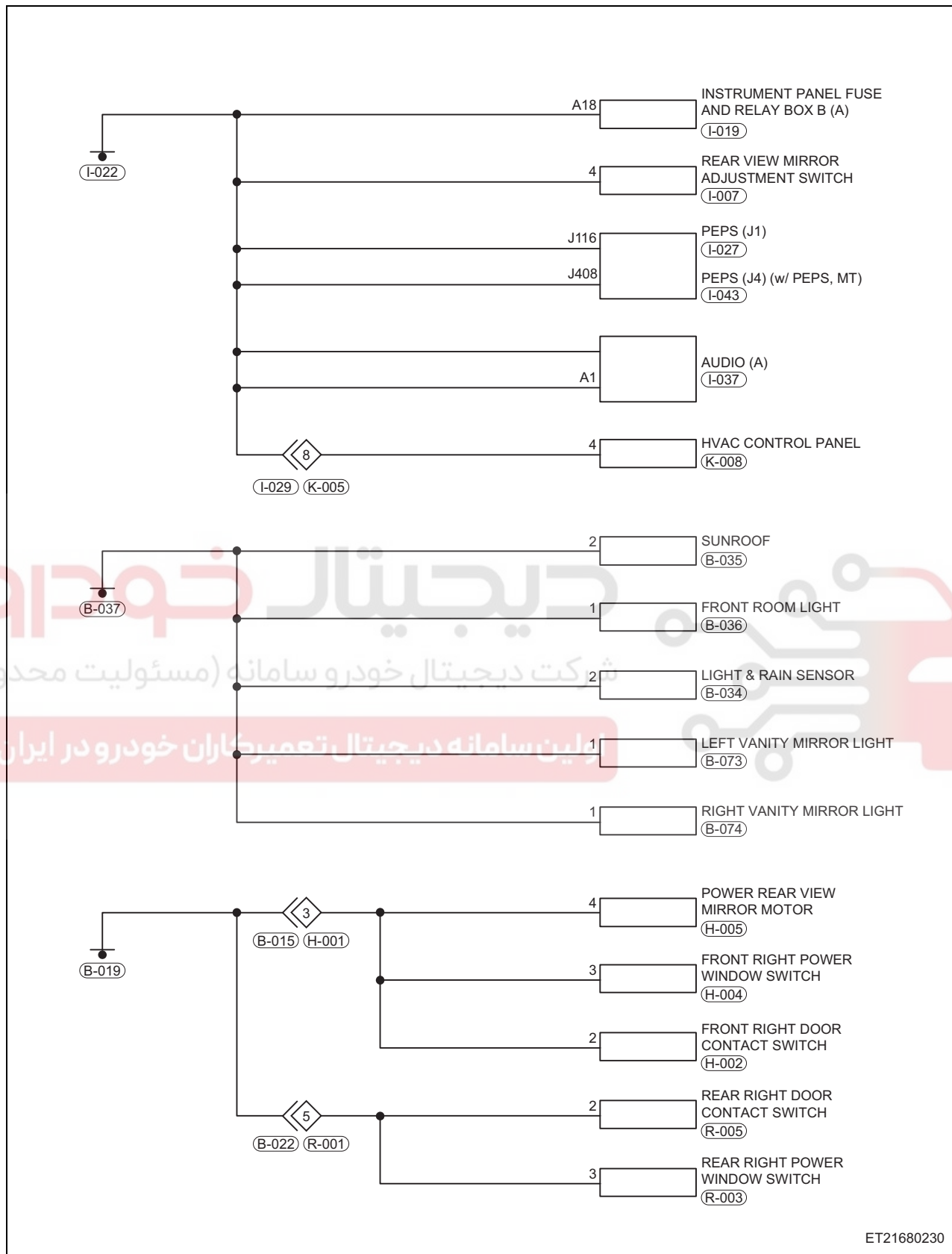
دیجیتال خودرو
شرکت دیجیتال خودرو سامانه (مسئولیت محدود)
اولین سامانه دیجیتال تعمیرکاران خودرو در ایران

Ground Distribution (Page 6 of 7)



ET21680220

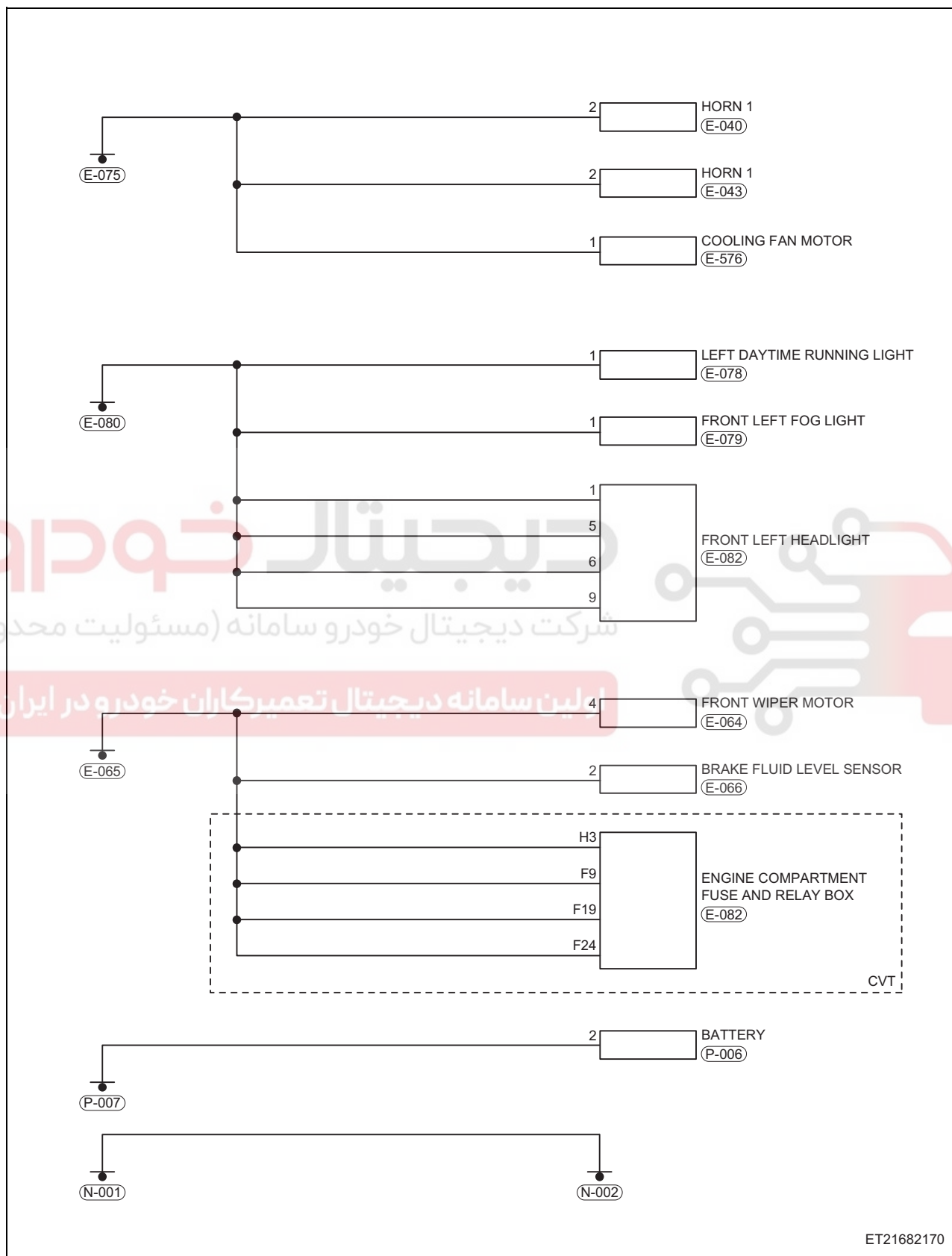
Ground Distribution (Page 7 of 7)



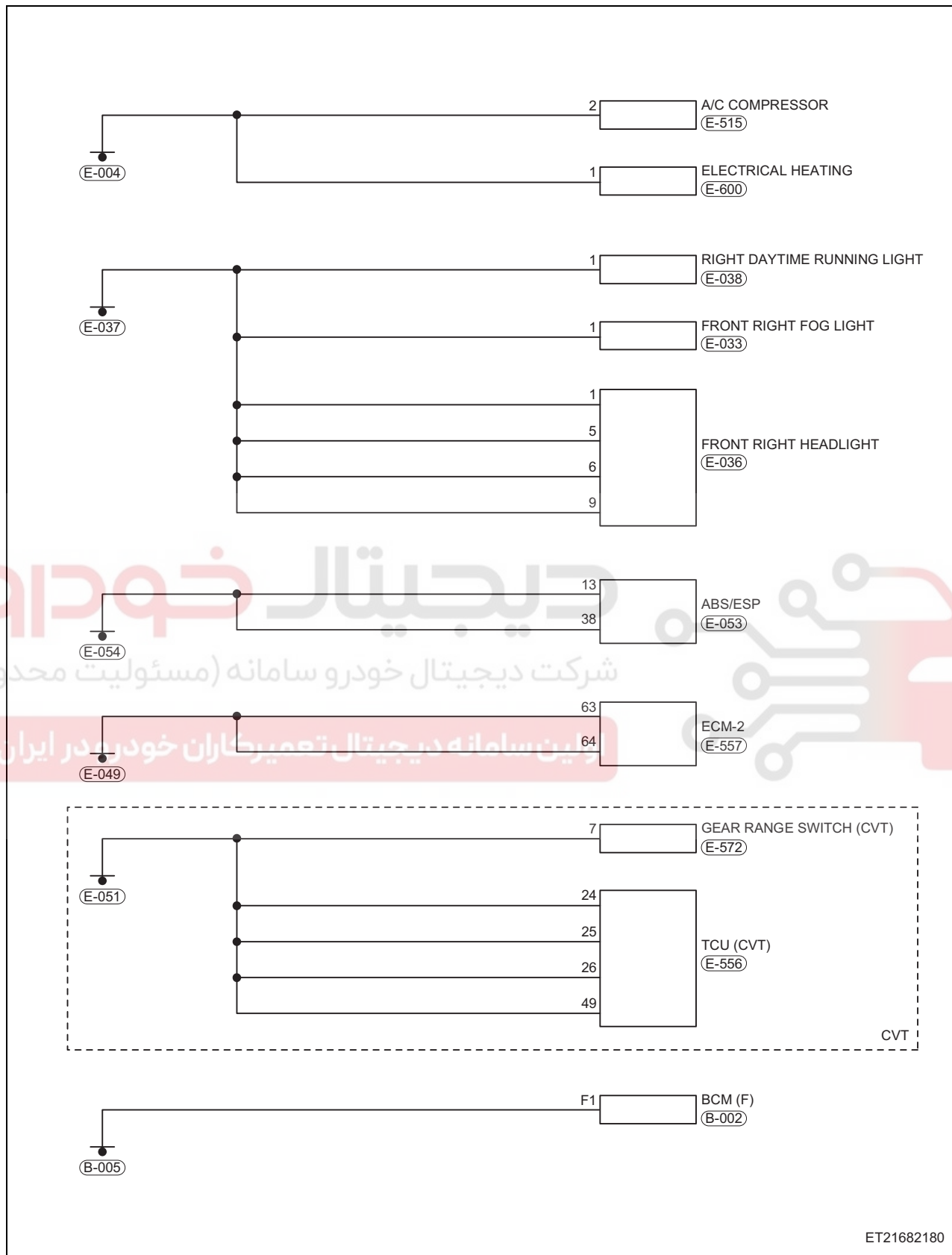
68

Ground Distribution (For 2.0LLModel)

Ground Distribution (Page 1 of 7)

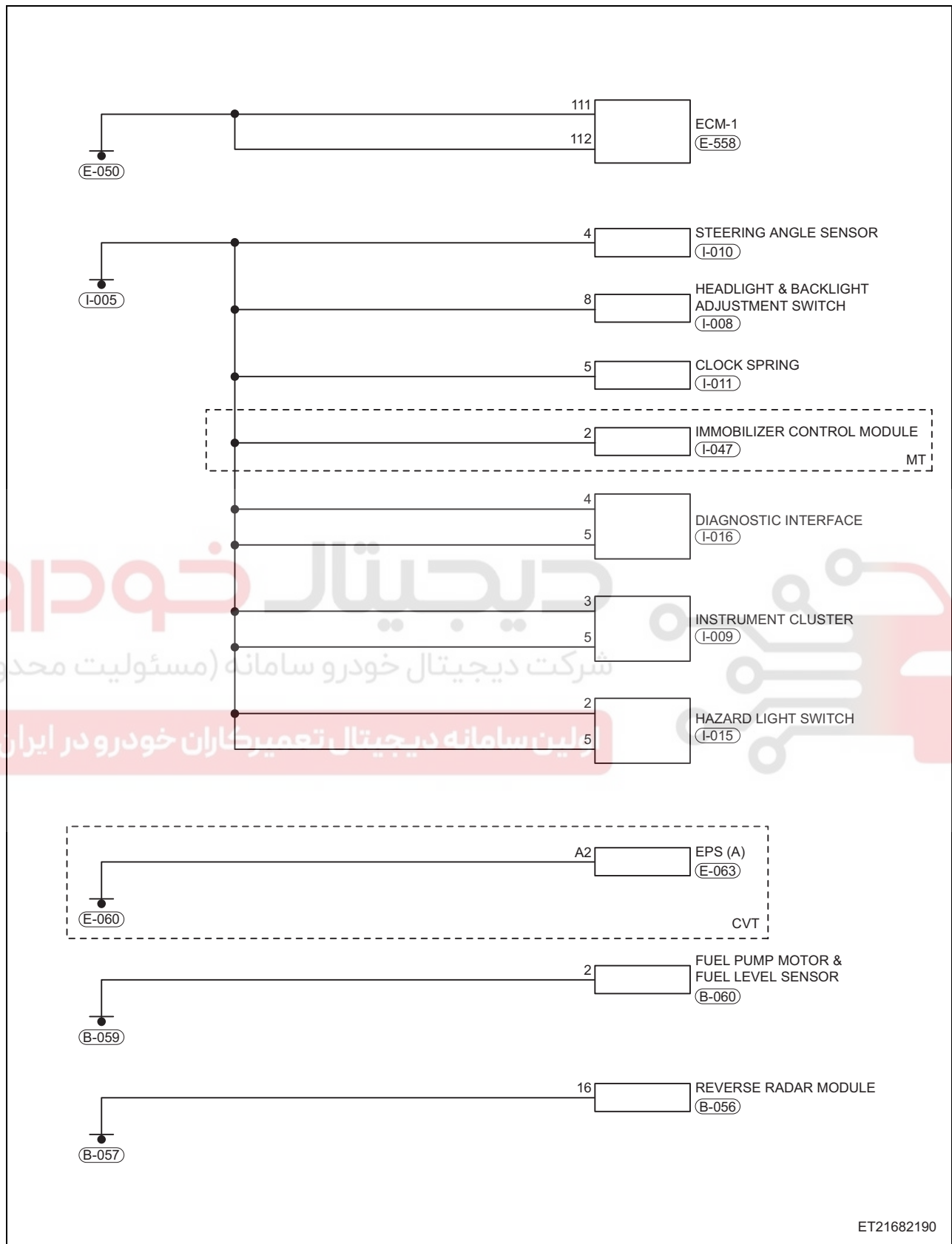


Ground Distribution (Page 2 of 7)



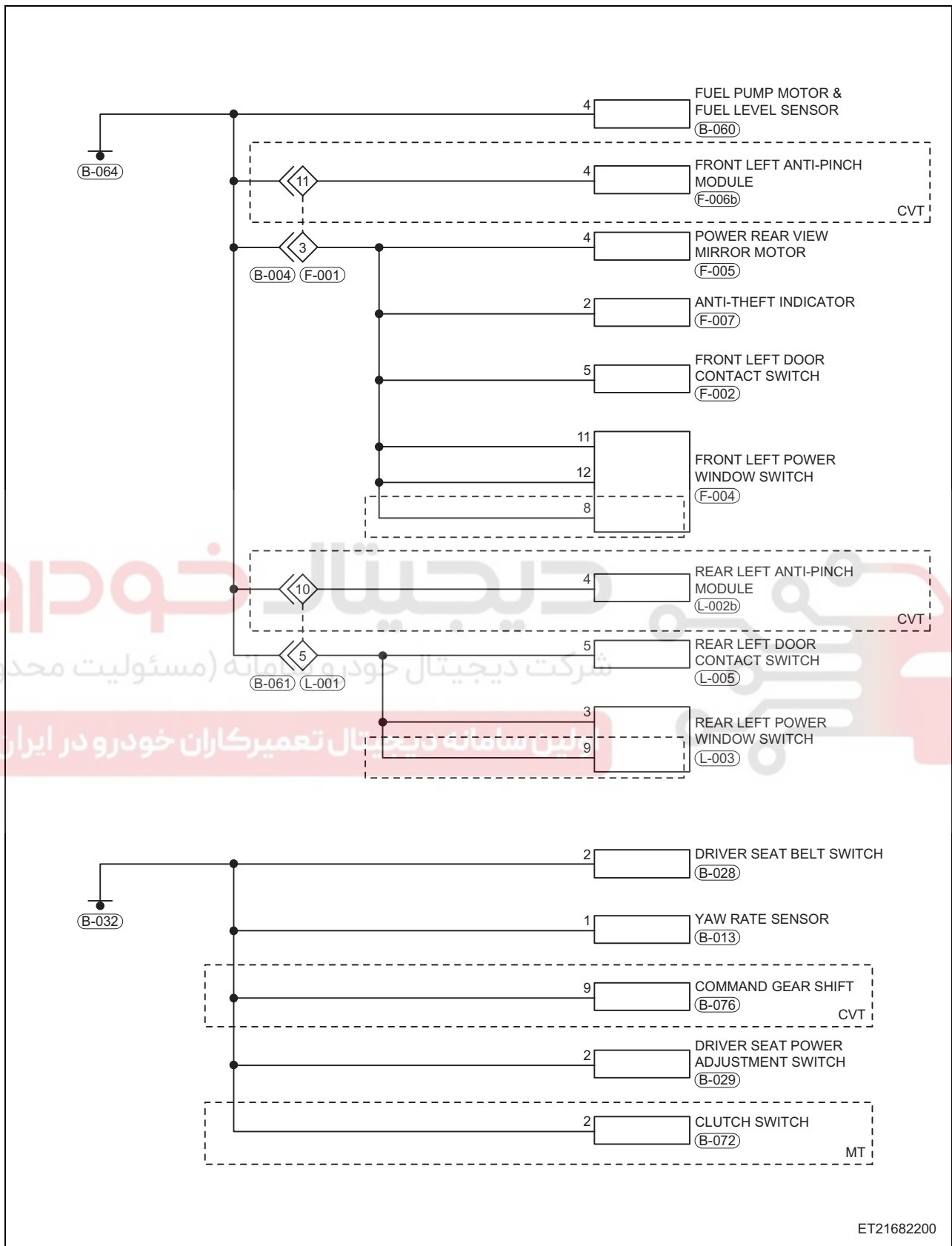
68

Ground Distribution (Page 3 of 7)



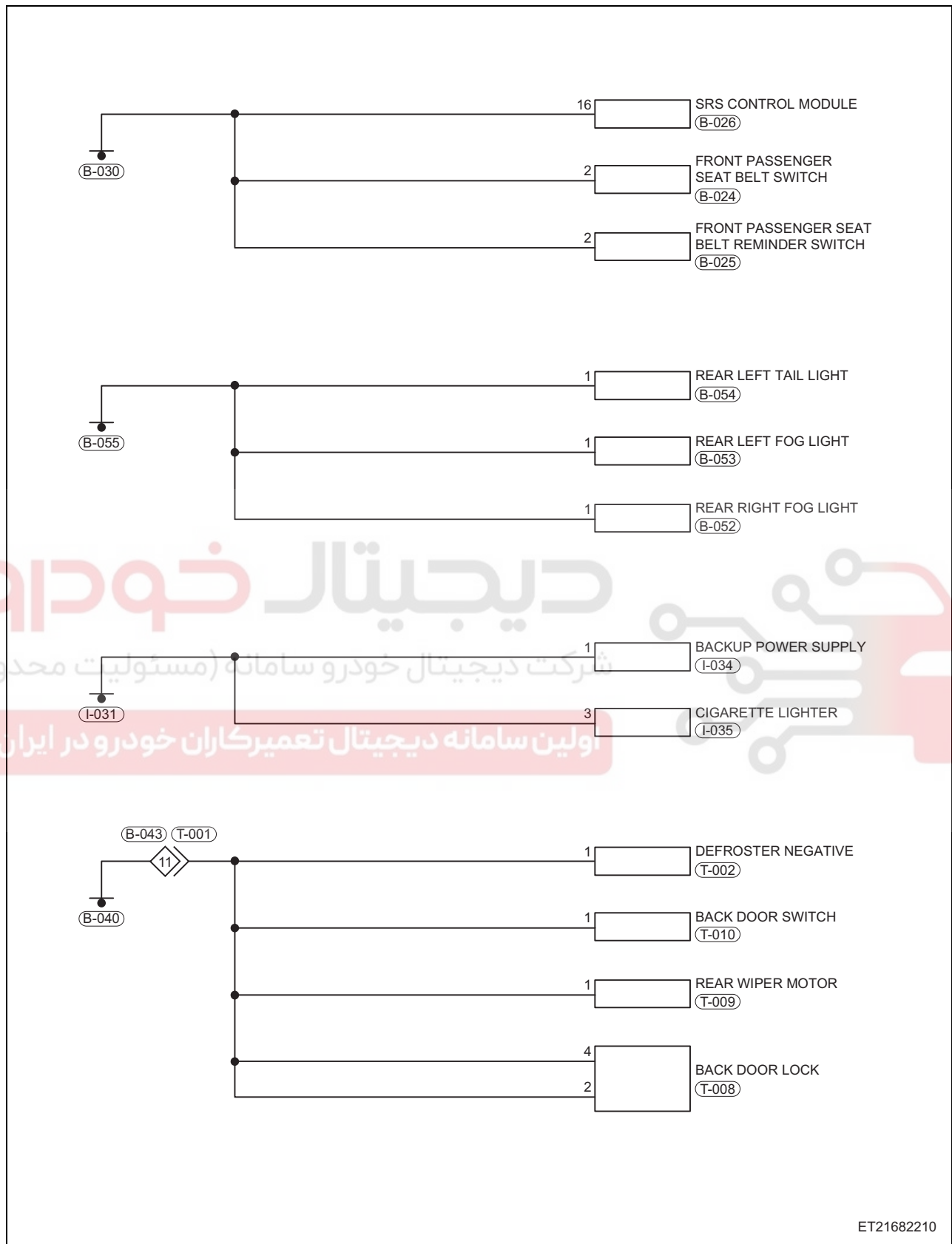
ET21682190

Ground Distribution (Page 4 of 7)

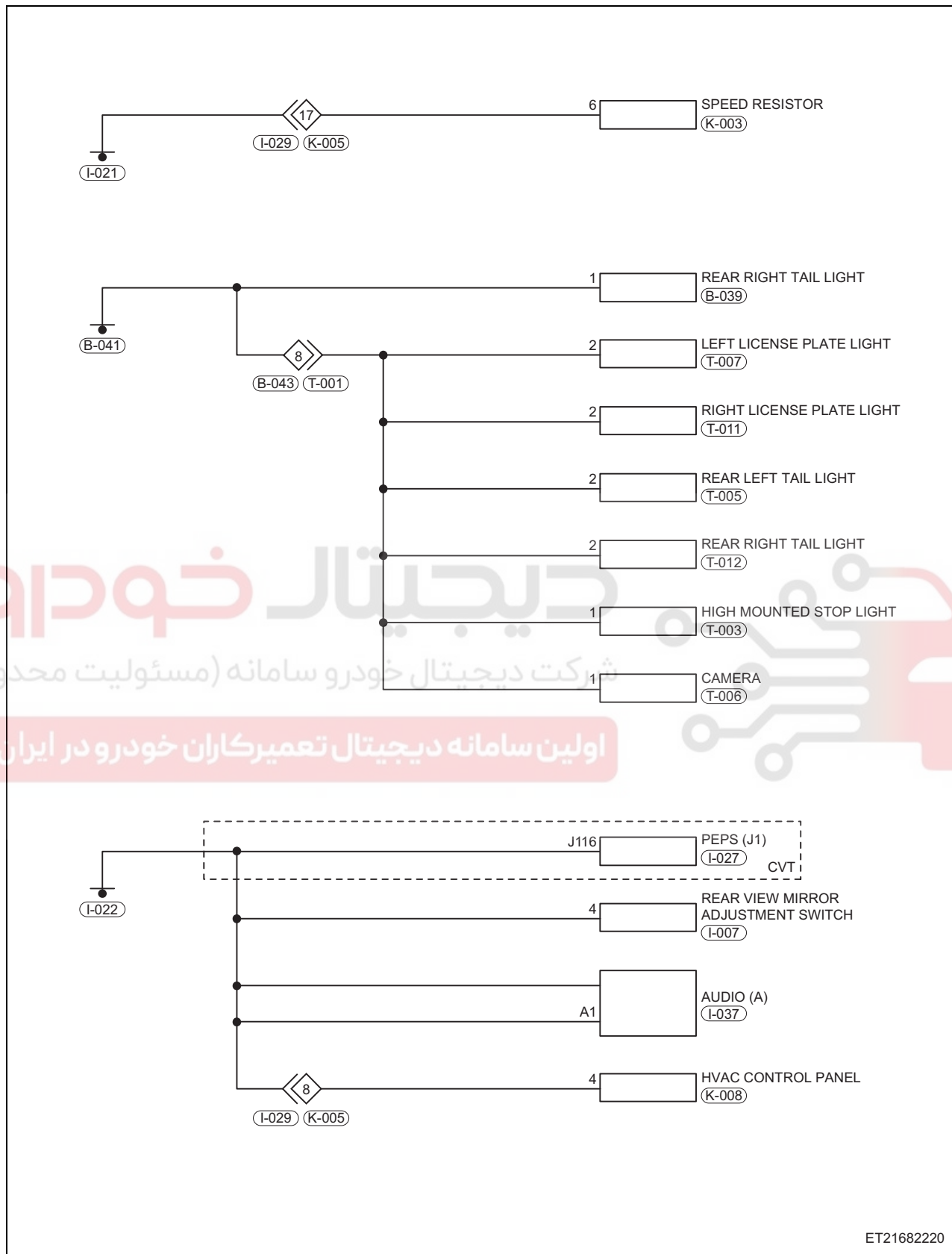


68

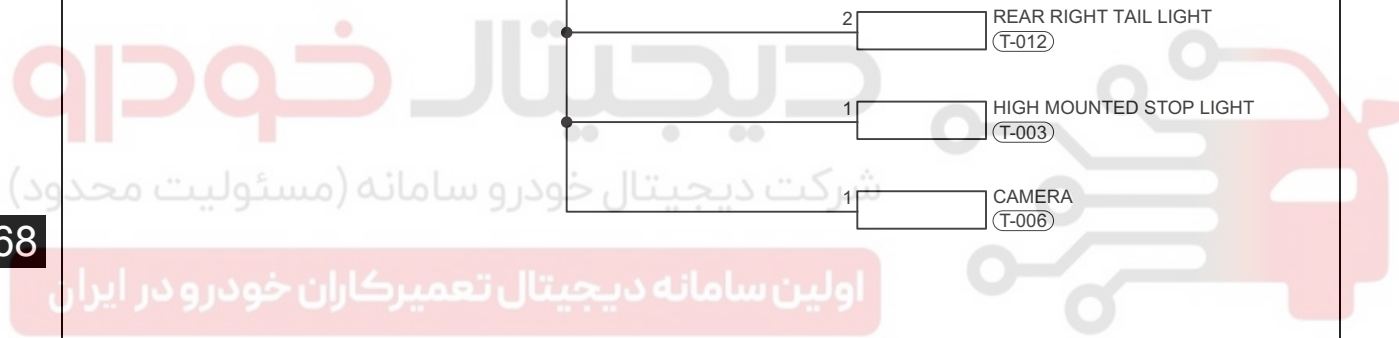
Ground Distribution (Page 5 of 7)



Ground Distribution (Page 6 of 7)

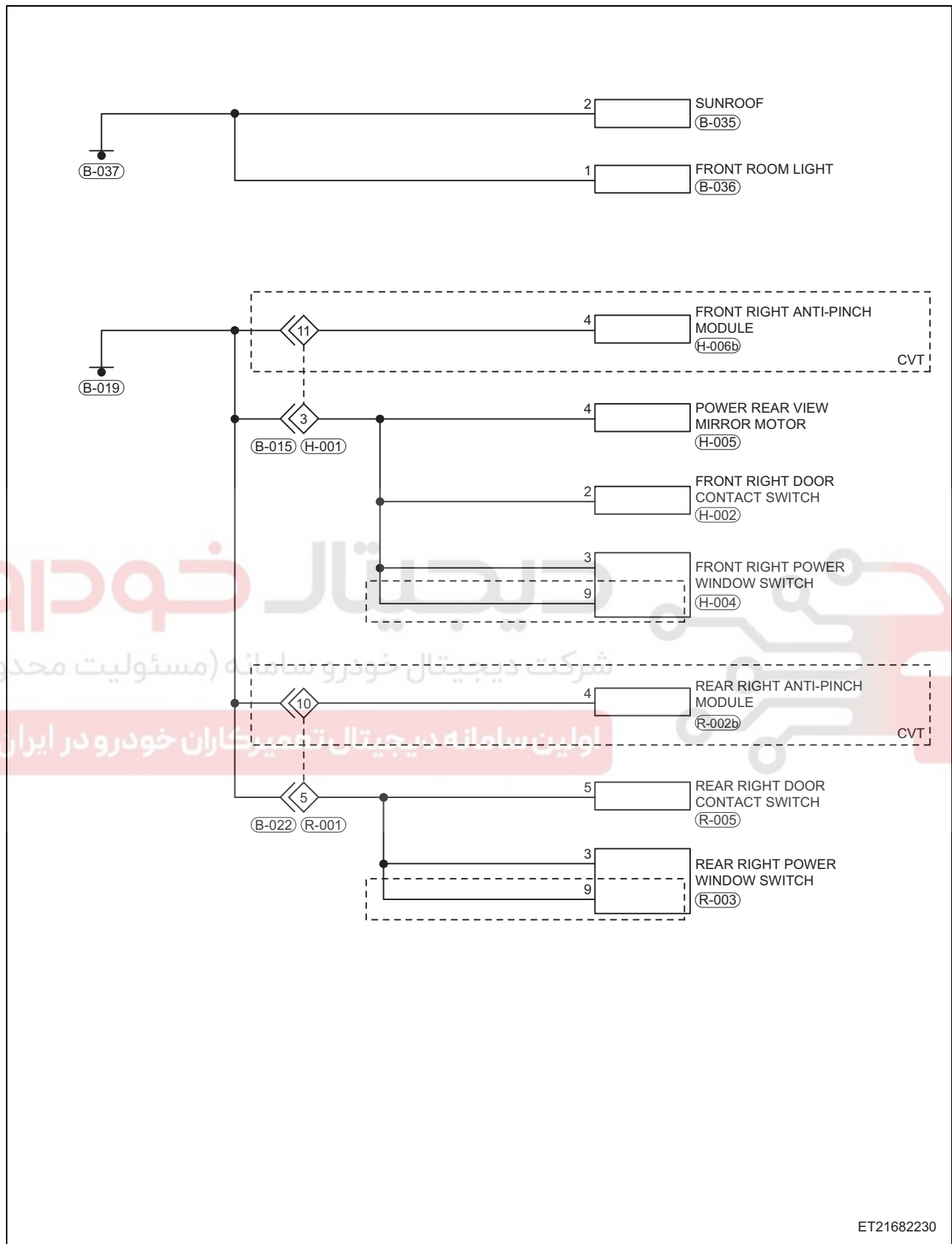


68



ET21682220

Ground Distribution (Page 7 of 7)



ET21682230

VEHICLE FUSE & RELAY

General Information

Description

Each system should be equipped with fuses and relays to ensure normal operation of vehicle electrical system. The fuses and relays are integrated into fuse and relay boxes which are installed in the following specific positions of vehicle:

Engine compartment fuse and relay box: located on the left side of engine compartment and the rear side of left headlight.

Instrument panel fuse and relay box A: located on the lower left side of instrument panel.

Instrument panel fuse and relay box B: located on the lower right side of instrument panel.

دیجیتال خودرو

شرکت دیجیتال خودرو سامانه (مسئولیت محدود)

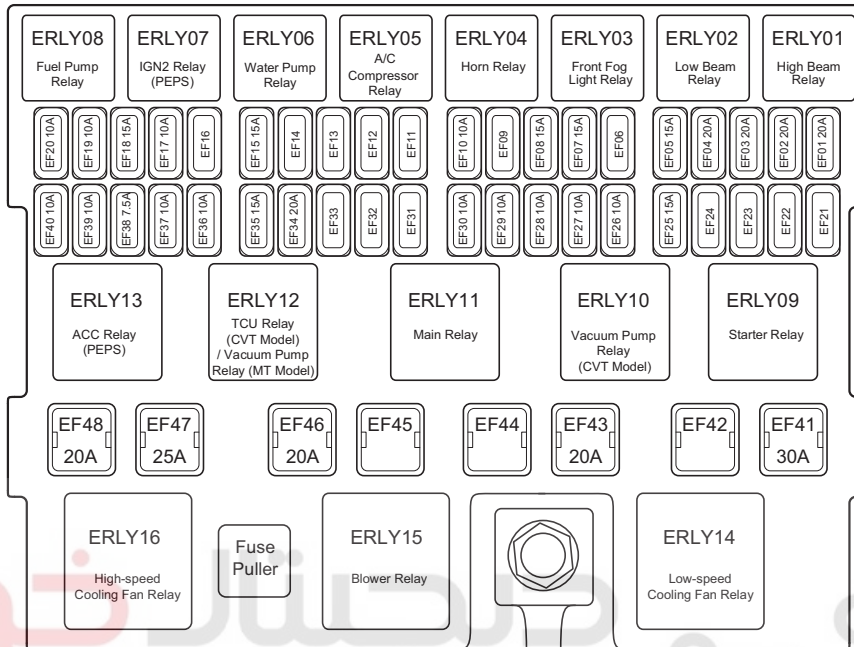
68

اولین سامانه دیجیتال تعمیرکاران خودرو در ایران



Engine Compartment Fuse and Relay Box

Fuse and Relay Layout in Engine Compartment Fuse and Relay Box (For 1.5T Model)



ET21680013

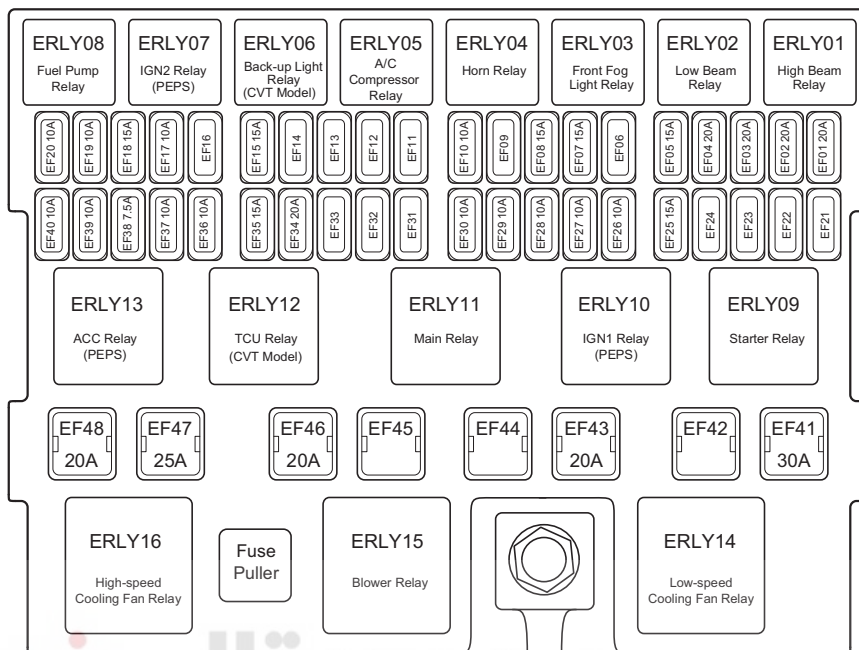
شرکت دیجیتال خودرو سامانه (مسئولیت محدود)

اولین سامانه دیجیتال تعمیرکاران خودرو در ایران

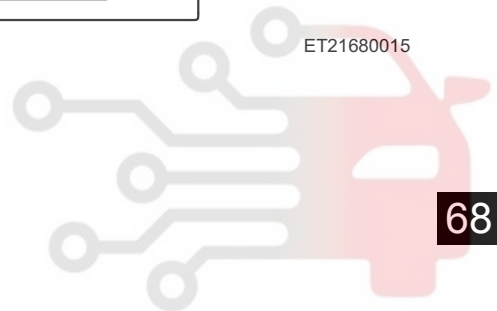
Engine Compartment Fuse Description (For 1.5T Model)

No.	Description	No.	Description
EF01	Right Headlight High Beam	EF25	Horn
EF02	Left Headlight High Beam	EF26	Spare
EF03	Right Headlight Low Beam	EF27	Exhaust Gas Valve/Canister
EF04	Left Headlight Low Beam	EF28	Back-up Light Switch (for MT Model)
EF05	Front Fog Light	EF29	Alternator Excitation
EF06	-	EF30	Electronic Water Pump
EF07	Ignition Coil	EF31	-
EF08	Injectors	EF32	-
EF09	-	EF33	-
EF10	A/C Compressor	EF34	IGN Power Supply
EF11	-	EF35	Fuel Pump
EF12	-	EF36	ABS/ESP
EF13	-	EF37	Electronic Heating/High/Low Pressure Switch
EF14	-	EF38	Relay Control
EF15	IGN2	EF39	Oxygen Sensor
EF16	-	EF40	Main Relay
EF17	ECM	EF41	Starter
EF18	Spare	EF42	-
EF19	TCU (for CVT Model)/ECM	EF43	Vacuum Pump (for CVT Model)/Reserve (for MT Model)
EF20	Spare	EF44	-
EF21	-	EF45	-
EF22	-	EF46	TCU (for CVT Model)/Vacuum Pump (for MT Model)
EF23	-	EF47	ABS/ESP
EF24	-	EF48	ACC Relay

Fuse and Relay Layout in Engine Compartment Fuse and Relay Box (For 2.0L Model)



دیجیتال خودرو
شرکت دیجیتال خودرو سامانه (مسئولیت محدود)
اولین سامانه دیجیتال تعمیرکاران خودرو در ایران



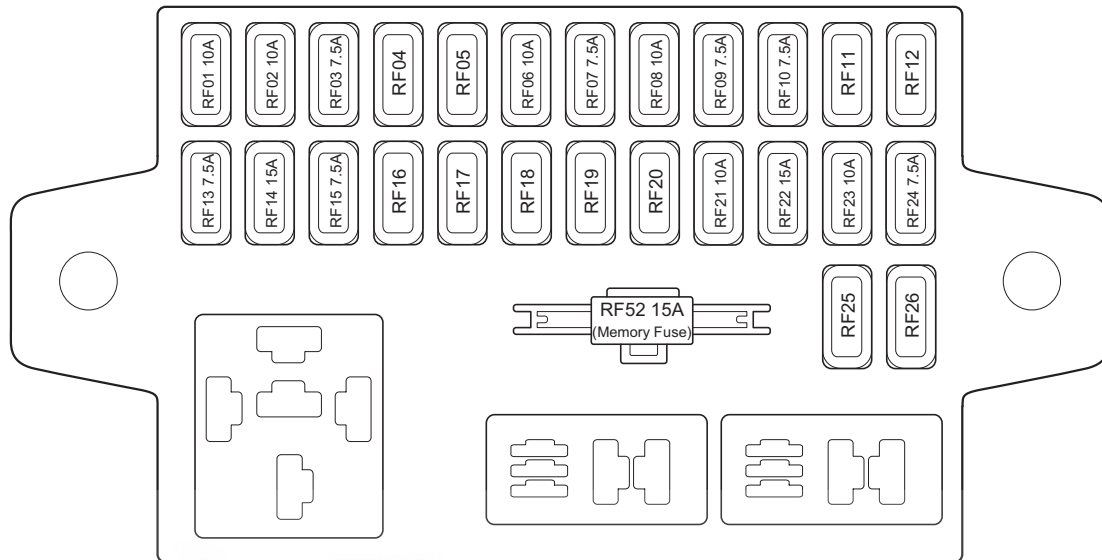
68 - WIRE HARNESS

Engine Compartment Fuse Description (For 2.0L Model)

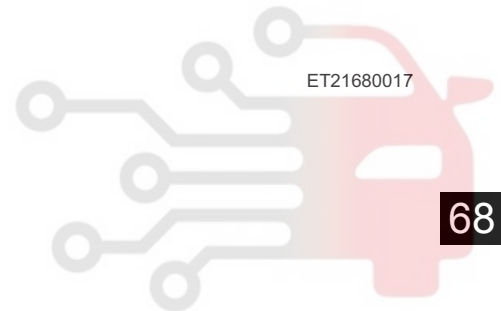
No.	Description	No.	Description
EF01	Right Headlight High Beam	EF25	Horn
EF02	Left Headlight High Beam	EF26	Spare
EF03	Right Headlight Low Beam	EF27	Canister
EF04	Left Headlight Low Beam	EF28	Back-up Light Switch (for MT Model)
EF05	Front Fog Light	EF29	Alternator Excitation
EF06	-	EF30	Back-up Light/Reversing Radar (for CVT Model)
EF07	Ignition Coil	EF31	-
EF08	Injectors	EF32	-
EF09	-	EF33	-
EF10	A/C Compressor	EF34	IGN Power Supply
EF11	-	EF35	Fuel Pump
EF12	-	EF36	ABS/ESP
EF13	-	EF37	High/Low Pressure Switch
EF14	-	EF38	Relay Control
EF15	IGN2	EF39	Oxygen Sensor
EF16	-	EF40	Main Relay
EF17	ECM/TCU (for CVT Model)	EF41	Starter
EF18	Spare	EF42	-
EF19	TCU (for CVT Model)/ECM	EF43	IGN1 Relay
EF20	Spare	EF44	-
EF21	-	EF45	-
EF22	-	EF46	TCU (for CVT Model)/Reserve (for MT Model)
EF23	-	EF47	ABS/ESP
EF24	-	EF48	ACC Relay

Instrument Panel Fuse and Relay Box A

Fuse and Relay Layout in Instrument Panel Fuse and Relay Box A



دیجیتال خودرو
شرکت دیجیتال خودرو سامانه (مسئولیت محدود)
اولین سامانه دیجیتال تعمیرکاران خودرو در ایران



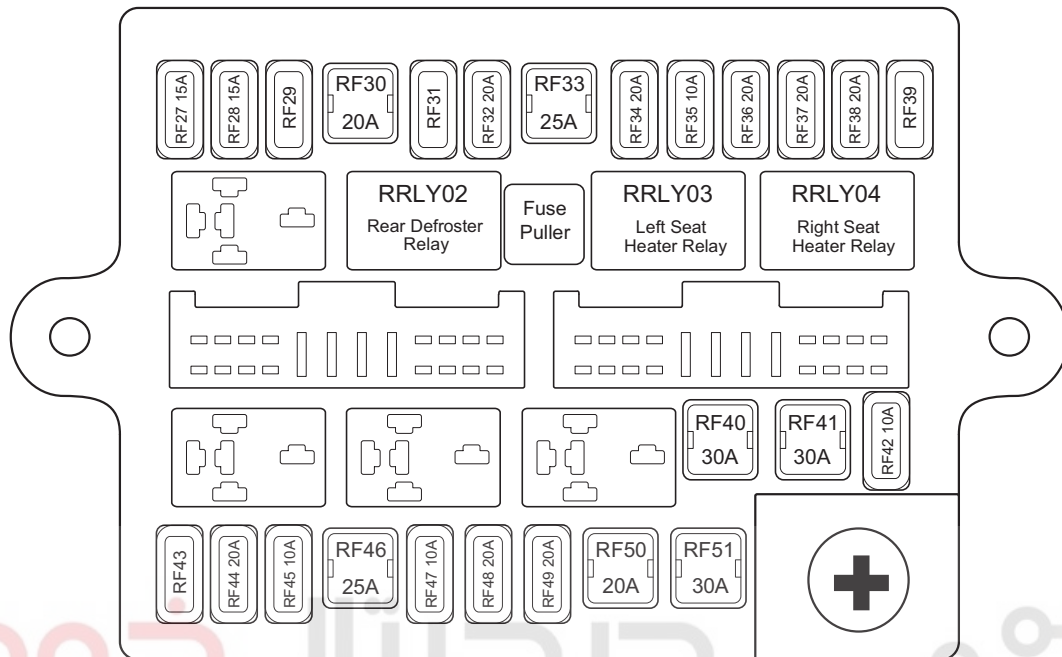
68 - WIRE HARNESS

Instrument Panel Fuse Description

No.	Description	No.	Description
RF01	Reversing Radar	RF14	Cigarette Lighter
RF02	ECO Switch Backlight (for CVT Model)/ Headlight Adjustment Switch	RF15	Outside Rear View Mirror Adjustment Switch/Sunroof Switch/Seat Heater Relay Coil
RF03	Back-up Light Relay Coil (for CVT Model)	RF16	-
RF04	-	RF17	-
RF05	-	RF18	-
RF06	Steering Angle Sensor/Instrument Cluster/ Yaw Rate Sensor/Diagnostic Interface/ Engine Immobilizer/ESP Indication	RF19	-
RF07	BCM/EPS/PEPS	RF20	-
RF08	Airbag	RF21	Automatic A/C Control Panel
RF09	Brake Switch	RF22	Audio System
RF10	A/C Control Panel	RF23	Instrument Cluster/Diagnostic Interface
RF11	-	RF24	Key Switch
RF12	-	RF25	-
RF13	Rear Defroster Relay Coil/Blower Relay Coil/Audio System/BCM	RF26	-

Instrument Panel Fuse and Relay Box B

Fuse and Relay Layout in Instrument Panel Fuse and Relay Box B



ET21680019

دیجیتال خودرو
شرکت دیجیتال خودرو سامانه (مسئولیت محدود)

اولین سامانه دیجیتال تعمیرکاران خودرو در ایران

68 - WIRE HARNESS

Instrument Panel Fuse Description

No.	Description	No.	Description
RF27	Ignition Switch	RF40	Right Window Anti-pinch Module
RF28	Back-up Light Relay	RF41	Left Window Anti-pinch Module
RF29	-	RF42	Outside Rear View Mirror Heating/ Defrosting Feedback Signal
RF30	IP Fuse and Relay Box A	RF43	-
RF31	-	RF44	IGN1 Relay
RF32	-	RF45	Backup Power Supply
RF33	Rear Defroster	RF46	Ignition Switch
RF34	Left Seat Heater	RF47	PEPS
RF35	Brake Light Switch	RF48	-
RF36	Reserve	RF49	Sunroof
RF37	Right Seat Heater	RF50	-
RF38	-	RF51	Power Seat Adjustment
RF39	-		

دیجیتال خودرو

شرکت دیجیتال خودرو سامانه (مسئولیت محدود)

68

اولین سامانه دیجیتال تعمیرکاران خودرو در ایران



VEHICLE WIRE HARNESS LAYOUT

General Information

Description

Wire harness layout introduces location information of vehicle wire harness and electrical components in the form of graphic. Entire vehicle wire harnesses are divided into the following parts:

- Engine Wire Harness
- Engine Compartment Wire Harness
- Instrument Panel Wire Harness
- Body Wire Harness
- Front Left Door Wire Harness
- Front Right Door Wire Harness
- Rear Left Door Wire Harness
- Rear Right Door Wire Harness
- Back Door Wire Harness
- A/C Wire Harness (for Electrical A/C System)
- A/C Wire Harness (for Automatic A/C System)
- Battery/Ground Wire Harness

دیجیتال خودرو

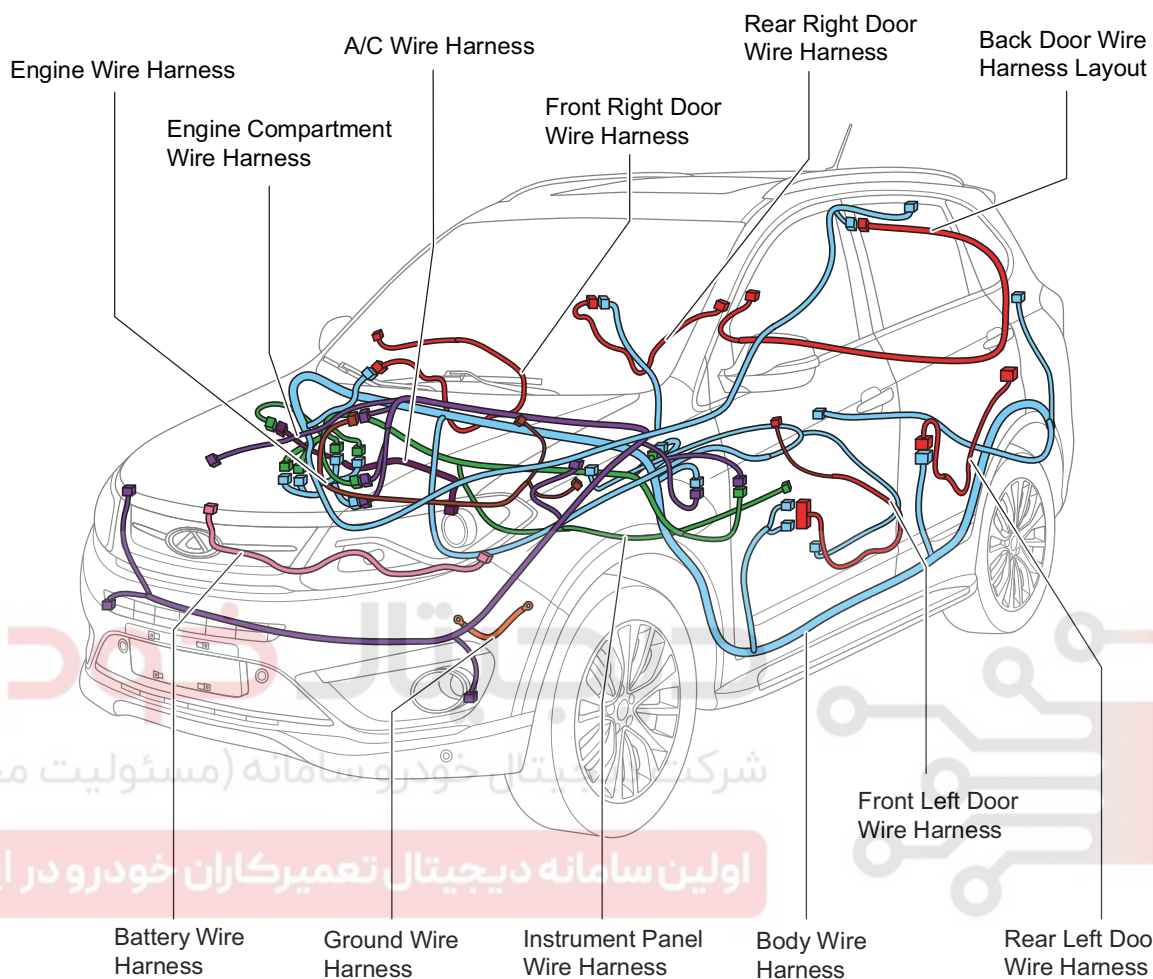
شرکت دیجیتال خودرو سامانه (مسئولیت محدود)

اولین سامانه دیجیتال تعمیرکاران خودرو در ایران

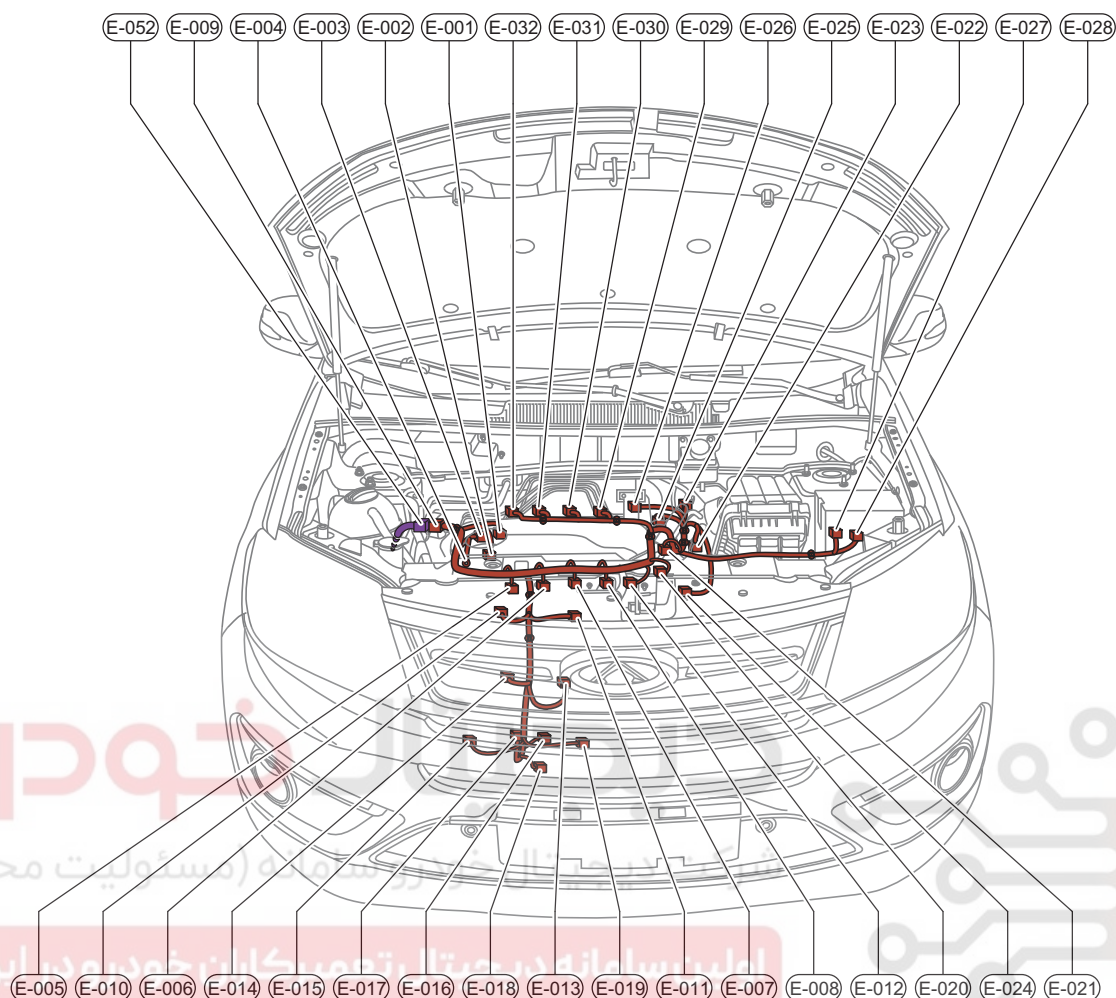


Vehicle Wire Harness Layout

Entire Vehicle Wire Harness Layout



Engine Wire Harness (For 1.5T Model)



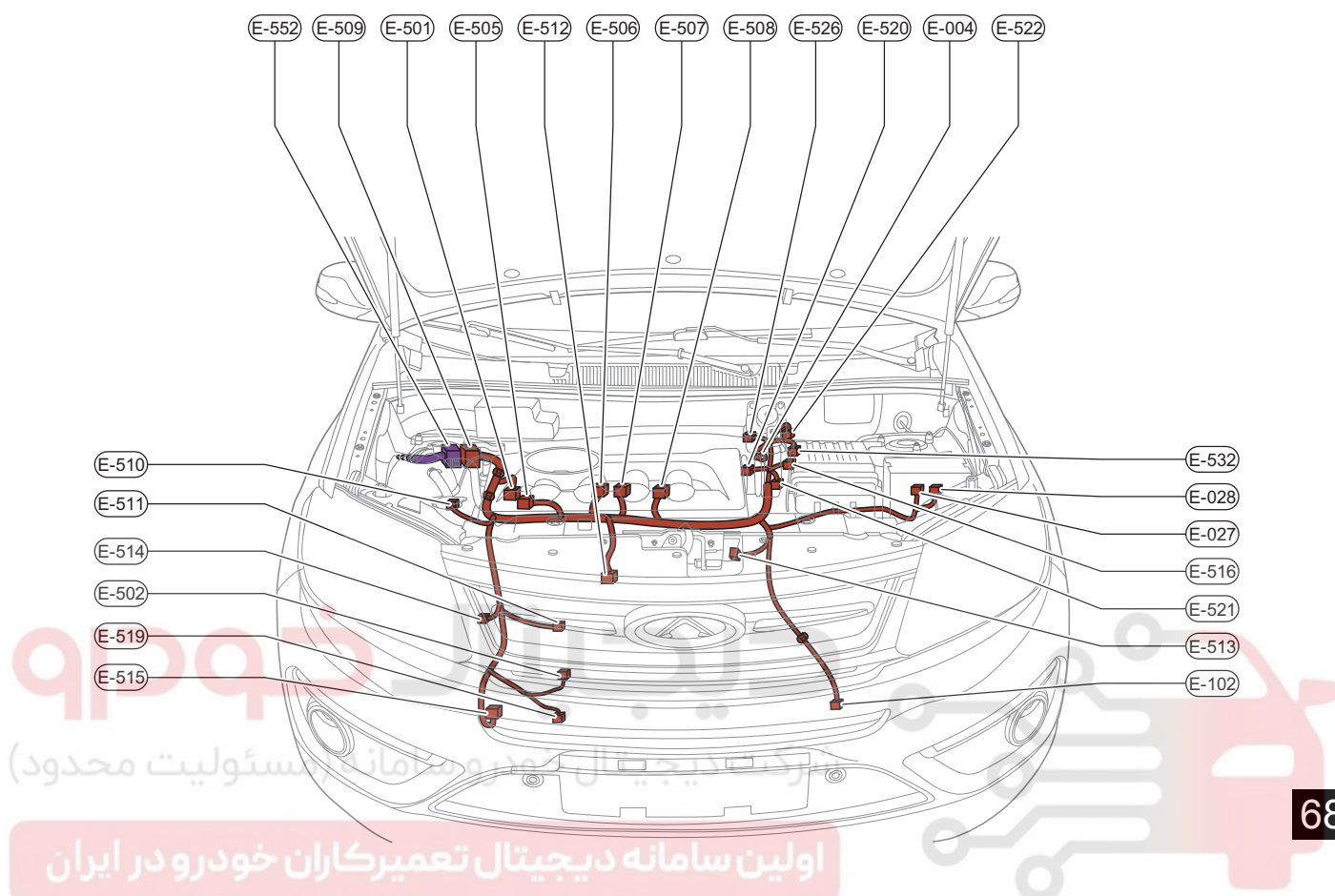
ET21680302

Connector Code	Connector Color/Pin	Connector Name
E-001	B/2	Variable Camshaft Timing (Exhaust)
E-002	B/1	Oil Pressure Switch
E-003	B/4	Upstream Oxygen Sensor
E-004	-	Ground G113
E-005	B/2	Injector 1
E-006	B/2	Injector 2
E-007	B/2	Injector 3
E-008	B/2	Injector 4
E-009	B/44	to Engine Compartment Wire Harness Connector E-052
E-010	B/2	Variable Camshaft Timing (Intake)
E-011	B/4	Intake Pressure/Temperature Sensor
E-012	B/2	Canister Solenoid Valve
E-013	B/6	Electronic Throttle

68 - WIRE HARNESS

Connector Code	Connector Color/Pin	Connector Name
E-014	Gr/3	Alternator
E-015	B/2	A/C Compressor
E-016	B/2	Knock Sensor
E-017	B/2	Electrical Water Pump
E-018	B/2	Vacuum Pump
E-019	B/1	Starter Control
E-020	B/3	Camshaft Position Sensor (Intake)
E-021	L/2	Coolant Temperature Sensor
E-022	B/3	Engine Speed Sensor
E-023	B/2	Relief Valve
E-024	B/4	Downstream Oxygen Sensor
E-025	B/2	Waste Control Valve
E-026	B/3	Camshaft Position Sensor (Exhaust)
E-027	L/10	Engine Compartment Fuse and Relay Box (C)
E-028	W/2	Engine Compartment Fuse and Relay Box (L)
E-029	B/3	Ignition Coil 4
E-030	B/3	Ignition Coil 3
E-031	B/3	Ignition Coil 2
E-032	B/3	Ignition Coil 1

Engine Wire Harness (For 2.0L Model)



ET21680303

Connector Code	Connector Color/Pin	Connector Name
E-501	B/2	Variable Camshaft Timing (Exhaust)
E-502	B/1	Oil Pressure Switch
E-004	-	Ground G113
E-505	B/2	Injector 1
E-506	B/2	Injector 2
E-507	B/2	Injector 3
E-508	B/2	Injector 4
E-509	B/44	to Engine Compartment Wire Harness Connector E-552
E-510	B/2	Variable Camshaft Timing (Intake)
E-511	B/4	Intake Pressure/Temperature Sensor
E-512	B/2	Canister Solenoid Valve
E-513	B/6	Electronic Throttle
E-514	Gr/3	Alternator

68 - WIRE HARNESS

Connector Code	Connector Color/Pin	Connector Name
E-515	B/2	A/C Compressor
E-516	B/3	Knock Sensor
E-519	B/1	Starter Control
E-520	B/3	Camshaft Position Sensor (Intake)
E-521	L/2	Coolant Temperature Sensor
E-522	B/3	Engine Speed Sensor
E-526	B/3	Camshaft Position Sensor (Exhaust)
E-027	L/10	Engine Compartment Fuse and Relay Box (C)
E-028	W/2	Engine Compartment Fuse and Relay Box (L)
E-532	B/3	Ignition Coil
E-102	B/2	Back-up Light Switch (MT)

دیجیتال خودرو

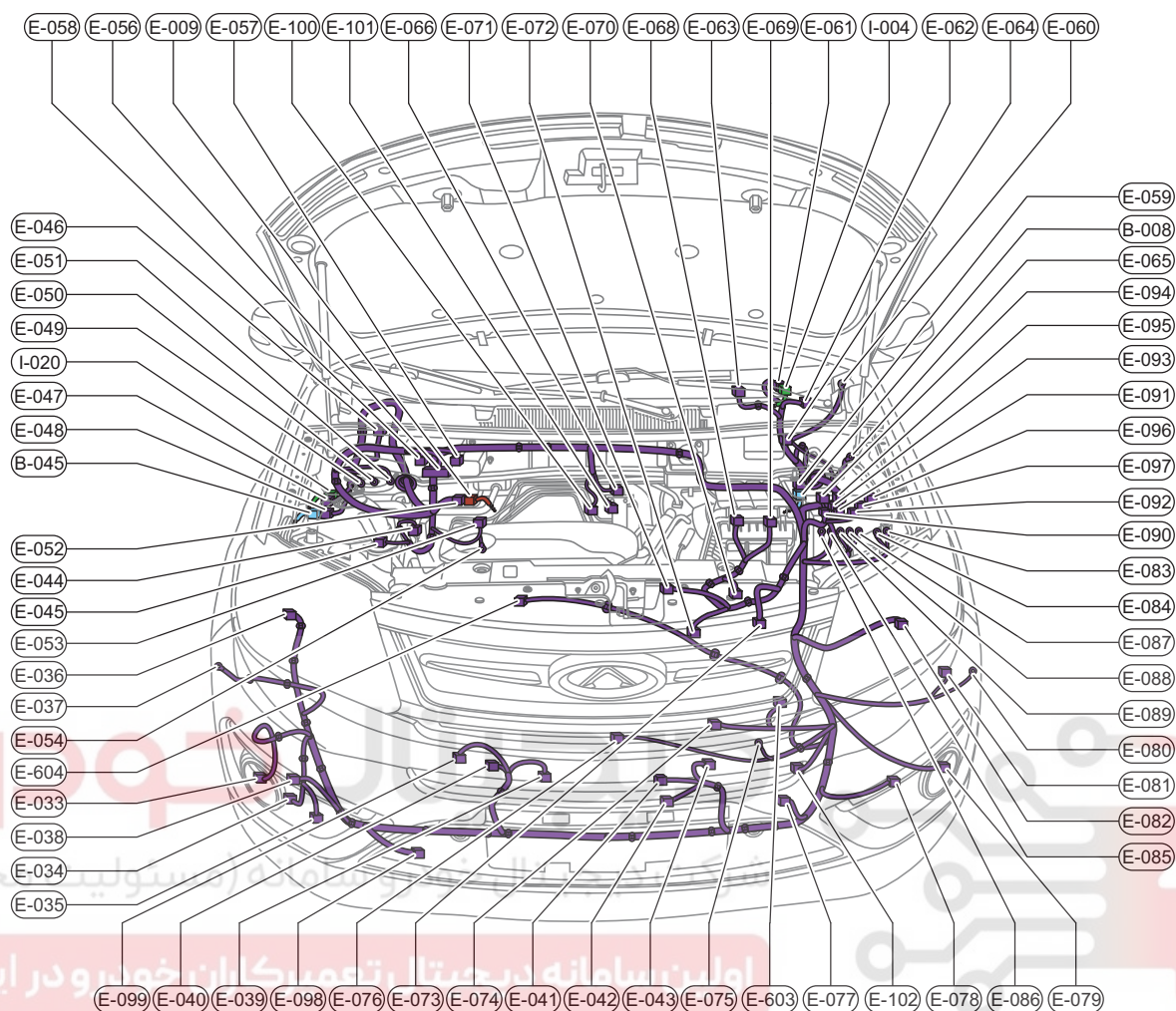
شرکت دیجیتال خودرو سامانه (مسئولیت محدود)

68

اولین سامانه دیجیتال تعمیرکاران خودرو در ایران



Engine Compartment Wire Harness (For 1.5T Model)



ET21680304

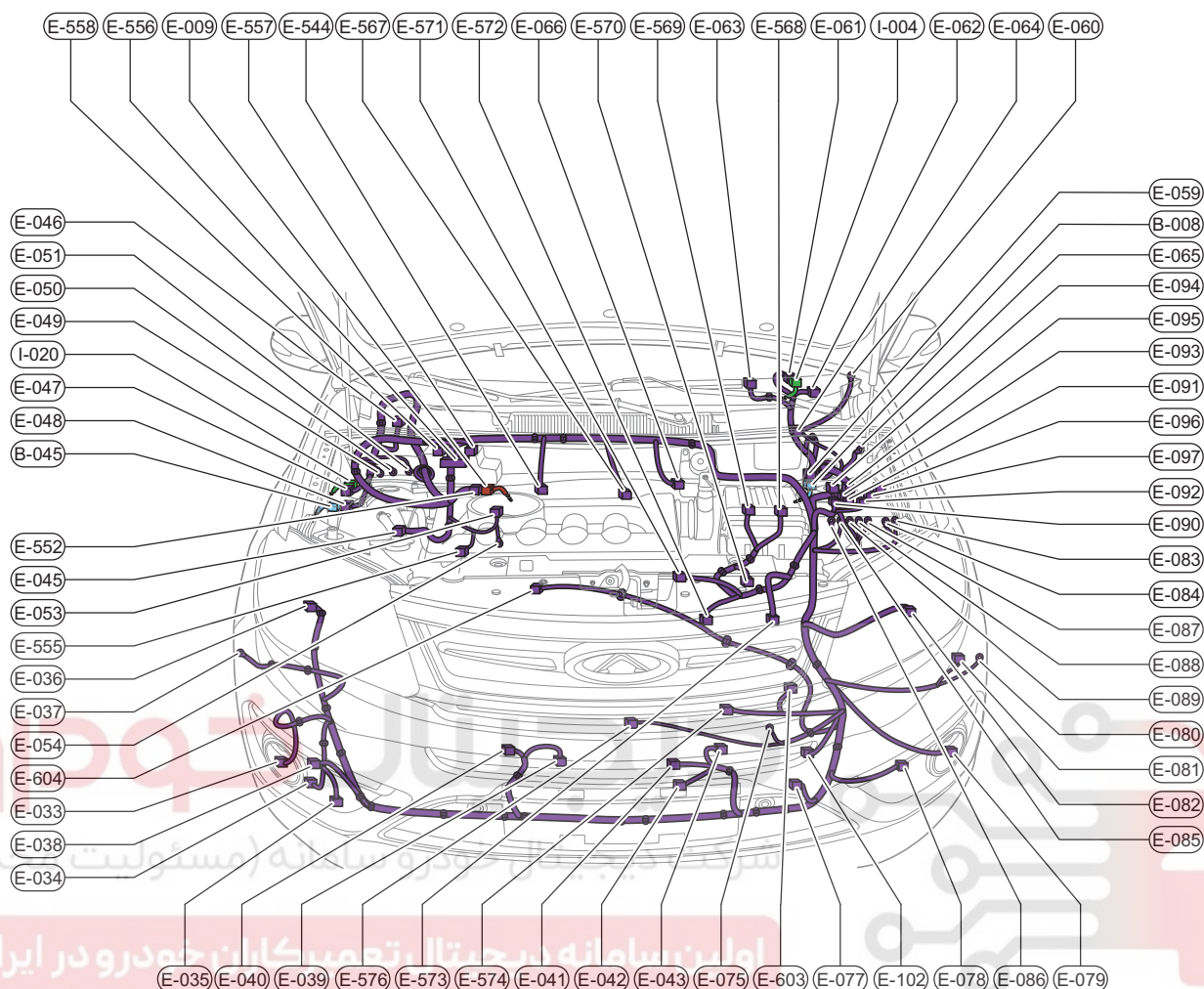
Connector Code	Connector Color/Pin	Connector Name
E-033	B/2	Front Right Fog Light
E-034	Gr/2	Washer Motor
E-035	B/3	Front Radar Sensor 1*
E-036	B/10	Front Right Headlight
E-037	-	Ground G102
E-038	B/2	Right Daytime Running Light
E-039	B/3	Front Radar Sensor 2*
E-040	Gr/2	Horn 1
E-041	Gr/2	Outside Temperature Sensor
E-042	B/3	Front Radar Sensor 3*
E-043	Gr/2	Horn 2
E-044	Gr/4	High/Low Pressure Switch
E-045	B/2	Front Right Wheel Speed Sensor

68 - WIRE HARNESS

Connector Code	Connector Color/Pin	Connector Name
E-046	-	IP Box (B)
E-047	W/15	to Instrument Panel Wire Harness Connector I-020
E-048	W/22	to Body Wire Harness Connector B-045
E-049	-	Ground G108
E-050	-	Ground G110
E-051	-	Ground G112 (CVT)
E-052	B/44	to Engine Wire Harness Connector E-009
E-053	B/38	ABS/ESP*
E-054	-	Ground G106
E-056	B/56	TCU (CVT)
E-057	B/64	ECM-2
E-058	B/48	ECM-1
E-059	W/22	to Body Wire Harness Connector B-008
E-060	-	Ground G205
E-061	W/14	to Instrument Panel Wire Harness Connector I-004
E-062	W/1	BCM (E)
E-063	L/2	EPS (A)*
E-064	B/4	Front Wiper Motor
E-065	-	Ground G111
E-066	B/2	Brake Fluid Level Sensor
E-068	B/3	Secondary Shaft Pressure Sensor (CVT)
E-069	B/3	Secondary Shaft Speed Sensor (CVT)
E-070	B/3	Primary Shaft Speed Sensor (CVT)
E-071	B/3	Clutch Speed Sensor (CVT)
E-072	B/10	Gear Range Switch (CVT)
E-073	B/10	Gearbox (CVT)
E-074	B/3	Primary Shaft Pressure Sensor (CVT)
E-075	-	Ground G101
E-076	B/3	Cooling Fan Motor
E-077	B/3	Front Radar Sensor 4*
E-078	B/2	Left Daytime Running Light
E-079	B/2	Front Left Fog Light
E-080	-	Ground G105
E-081	B/2	Front Left Wheel Speed Sensor
E-082	B/10	Front Left Headlight
E-083	-	EPS Power Supply*
E-084	-	Low-speed Fan Power Supply

Connector Code	Connector Color/Pin	Connector Name
E-085	-	High-speed Fan Power Supply
E-086	-	ABS/ESP* Power Supply
E-087	-	Blower Power Supply
E-088	-	IP Box Power Supply
E-089	-	BCM Power Supply
E-090	Gr/2	Engine Compartment Fuse and Relay Box (I)
E-091	Y/2	Engine Compartment Fuse and Relay Box (J)
E-092	L/2	Engine Compartment Fuse and Relay Box (K)
E-093	W/24	Engine Compartment Fuse and Relay Box (F)
E-094	Gr/10	Engine Compartment Fuse and Relay Box (A)
E-095	Y/10	Engine Compartment Fuse and Relay Box (B)
E-096	W/10	Engine Compartment Fuse and Relay Box (D)
E-097	W/16	Engine Compartment Fuse and Relay Box (H)
E-098	B/4	Boost Pressure Sensor
E-099	Gr/3	Absolute Environment Pressure Sensor
E-100	B/2	Electrical Heating
E-101	Gr/3	Absolute Vacuum Sensor
E-102	B/2	Back-up Light Switch (MT)
E-603	B/2	Siren
E-604	B/3	Hood Contact Switch

Engine Compartment Wire Harness (For 2.0L Model)



ET21680305

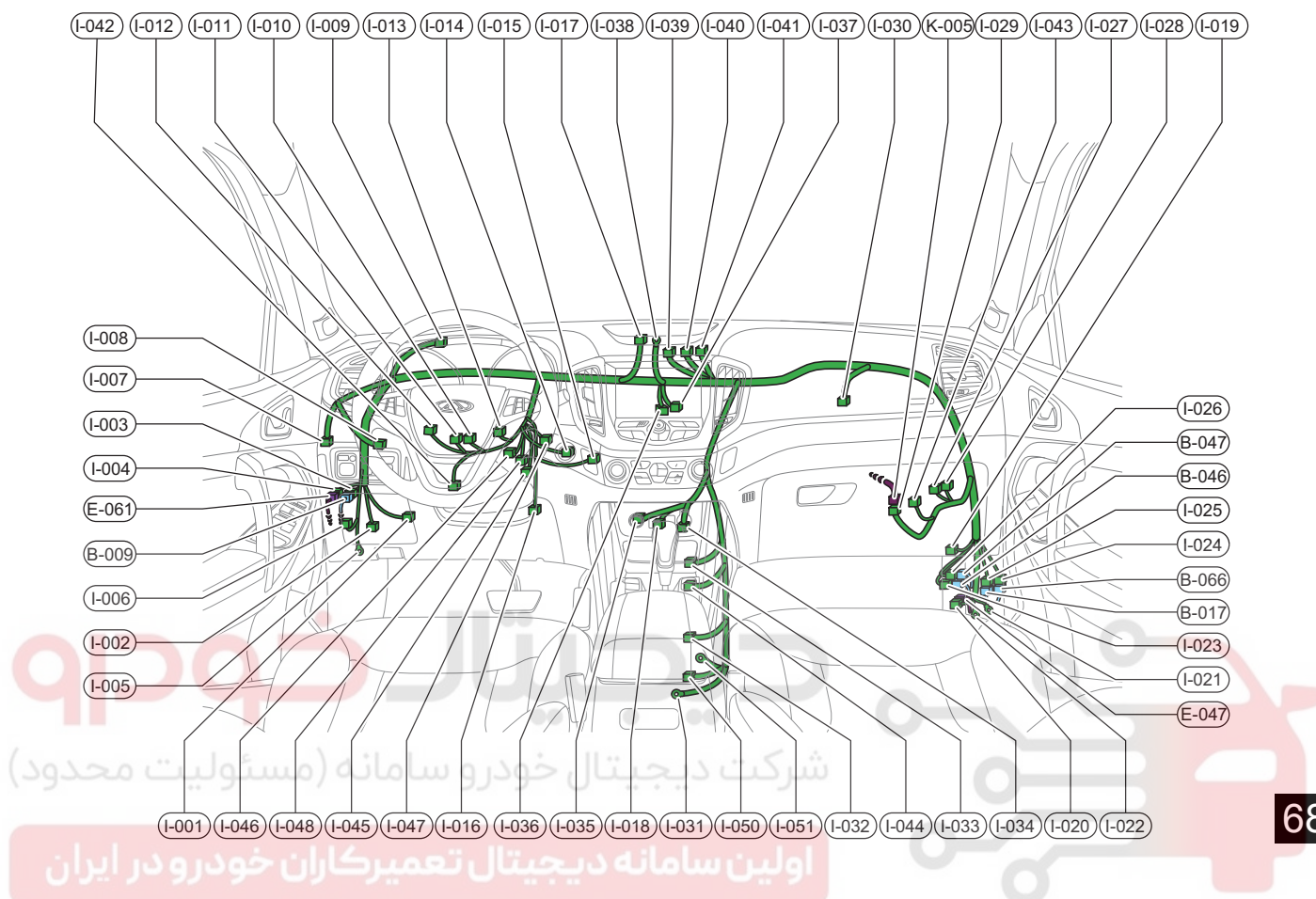
Connector Code	Connector Color/Pin	Connector Name
E-033	B/2	Front Right Fog Light
E-034	Gr/2	Washer Motor
E-035	B/3	Front Radar Sensor 1*
E-036	B/10	Front Right Headlight
E-037	-	Ground G102
E-038	B/2	Right Daytime Running Light
E-039	B/3	Front Radar Sensor 2*
E-040	Gr/2	Horn 1
E-041	Gr/2	Outside Temperature Sensor
E-042	B/3	Front Radar Sensor 3*
E-043	Gr/2	Horn 2
E-544	Gr/4	High/Low Pressure Switch
E-045	B/2	Front Right Wheel Speed Sensor

Connector Code	Connector Color/Pin	Connector Name
E-046	-	IP Box (B)
E-047	W/15	to Instrument Panel Wire Harness Connector I-020
E-048	W/22	to Body Wire Harness Connector B-045
E-049	-	Ground G108
E-050	-	Ground G110
E-051	-	Ground G112 (CVT)
E-552	B/44	to Engine Wire Harness Connector E-509
E-053	B/38	ABS/ESP*
E-054	-	Ground G106
E-555	B/4	Downstream Oxygen Sensor
E-556	B/56	TCU (CVT)
E-557	B/64	ECM-2
E-558	B/48	ECM-1
E-059	W/22	to Body Wire Harness Connector B-008
E-060	-	Ground G205
E-061	W/14	to Instrument Panel Wire Harness Connector I-004
E-062	W/1	BCM (E)
E-063	L/2	EPS (A)*
E-064	B/4	Front Wiper Motor
E-065	-	Ground G111
E-066	B/2	Brake Fluid Level Sensor
E-567	B/4	Upstream Oxygen Sensor
E-568	B/3	Secondary Shaft Pressure Sensor (CVT)
E-569	B/3	Secondary Shaft Speed Sensor (CVT)
E-570	B/3	Primary Shaft Speed Sensor (CVT)
E-571	B/3	Clutch Speed Sensor (CVT)
E-572	B/10	Gear Range Switch (CVT)
E-573	B/10	Gearbox (CVT)
E-574	B/3	Primary Shaft Pressure Sensor (CVT)
E-075	-	Ground G101
E-576	B/3	Cooling Fan Motor
E-077	B/3	Front Radar Sensor 4*
E-078	B/2	Left Daytime Running Light
E-079	B/2	Front Left Fog Light
E-080	-	Ground G105
E-081	B/2	Front Left Wheel Speed Sensor
E-082	B/10	Front Left Headlight

68 - WIRE HARNESS

Connector Code	Connector Color/Pin	Connector Name
E-083	-	EPS Power Supply*
E-084	-	Low-speed Fan Power Supply
E-085	-	High-speed Fan Power Supply
E-086	-	ABS/ESP* Power Supply
E-087	-	Blower Power Supply
E-088	-	IP Box Power Supply
E-089	-	BCM Power Supply
E-090	Gr/2	Engine Compartment Fuse and Relay Box (I)
E-091	Y/2	Engine Compartment Fuse and Relay Box (J)
E-092	L/2	Engine Compartment Fuse and Relay Box (K)
E-093	W/24	Engine Compartment Fuse and Relay Box (F)
E-094	Gr/10	Engine Compartment Fuse and Relay Box (A)
E-095	Y/10	Engine Compartment Fuse and Relay Box (B)
E-096	W/10	Engine Compartment Fuse and Relay Box (D)
E-097	W/16	Engine Compartment Fuse and Relay Box (H)
E-603	B/2	Siren
E-604	B/3	Hood Contact Switch

Instrument Panel Wire Harness



ET21680306

Connector Code	Connector Color/Pin	Connector Name
I-001	B/10	EPS (B)*
I-002	-	Instrument Panel Fuse and Relay Box A
I-003	W/22	to Body Wire Harness Connector B-009
I-004	W/14	to Engine Compartment Wire Harness Connector E-061
I-005	-	Ground G203
I-006	L/32	BCM (A)
I-007	B/10	Rear View Mirror Adjustment Switch
I-008	Y/16	Headlight & Backlight Adjustment Switch
I-009	L/32	Instrument Cluster
I-010	B/6	Steering Angle Sensor
I-011	W/16	Clock Spring
I-012	B/10	Combination Light Switch
I-013	B/10	Wiper and Washer Switch

68 - WIRE HARNESS

Connector Code	Connector Color/Pin	Connector Name
I-014	W/8	Engine Switch (w/ PEPS)
I-015	B/6	Hazard Light Switch
I-016	B/16	Diagnostic Interface
I-017	B/4	Solar Sensor*
I-018	B/10	USB*
I-018a	B/4	USB*
I-019	W/20	Instrument Panel Fuse and Relay Box B (A)
I-020	W/15	to Engine Compartment Wire Harness Connector E-047
I-021	-	Ground G204
I-022	-	Ground G202
I-023	W/18	to Body Wire Harness Connector B-046
I-024	-	to Body Wire Harness Connector B-066 (Antenna 1)
I-025	Gr/1	to Body Wire Harness Connector B-017 (GPS*)
I-026	W/16	to Body Wire Harness Connector B-047
I-027	Gr/16	PEPS (J1)*
I-028	B/16	PEPS (J2)*
I-029	W/22	to A/C Wire Harness Connector K-005
I-030	GrYB/2	Front Passenger Airbag
I-031	-	Ground G210
I-032	G/2	Backup Antenna (w/ PEPS)
I-033	B/2	Low Frequency Antenna 1 (w/ PEPS)
I-034	W/2	Backup Power Supply
I-035	W/3	Cigarette Lighter
I-036	B/16	Audio (B)
I-037	B/16	Audio (A)
I-038	-	Ground G220
I-039	B/10	USB*
I-039a	B/4	USB*
I-040	Gr/1	GPS*
I-041	-	Antenna 2
I-042	W/4	Electronic Steering Column Lock (w/ PEPS, MT)
I-043	B/10	PEPS (J4) (w/ PEPS, MT)
I-044	W/8	Passenger Seat Heater Switch
I-045	B/4	Key Reminder Switch
I-046	Lg/6	Ignition Switch
I-047	B/6	Immobilizer Control Module
I-048	B/2	Keyhole Light

Connector Code	Connector Color/Pin	Connector Name
I-050	Gr/32	SRS Control Module*
I-051	-	Ground*

دیجیتال خودرو

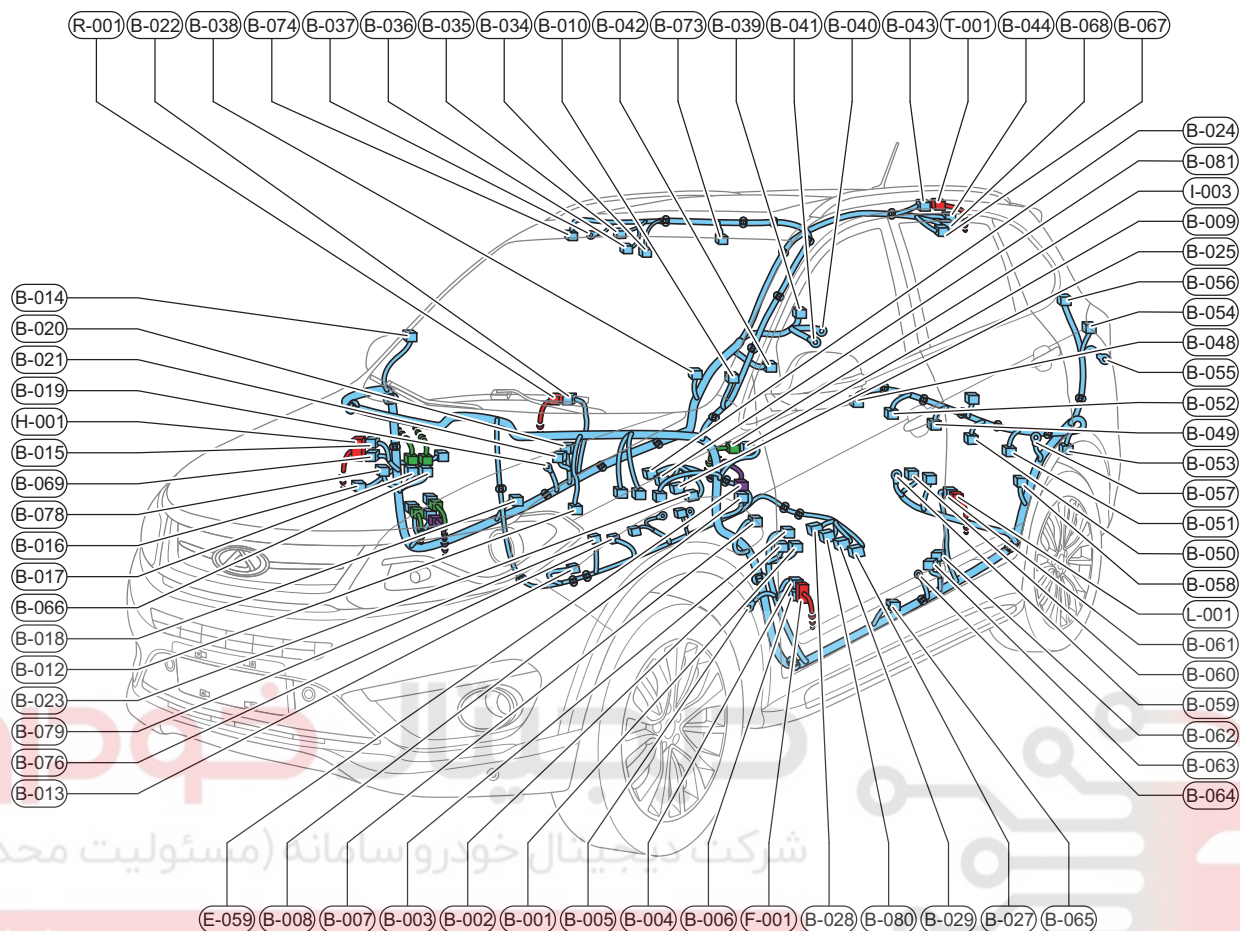
شرکت دیجیتال خودرو سامانه (مسئولیت محدود)

اولین سامانه دیجیتال تعمیرکاران خودرو در ایران



68

Body Wire Harness



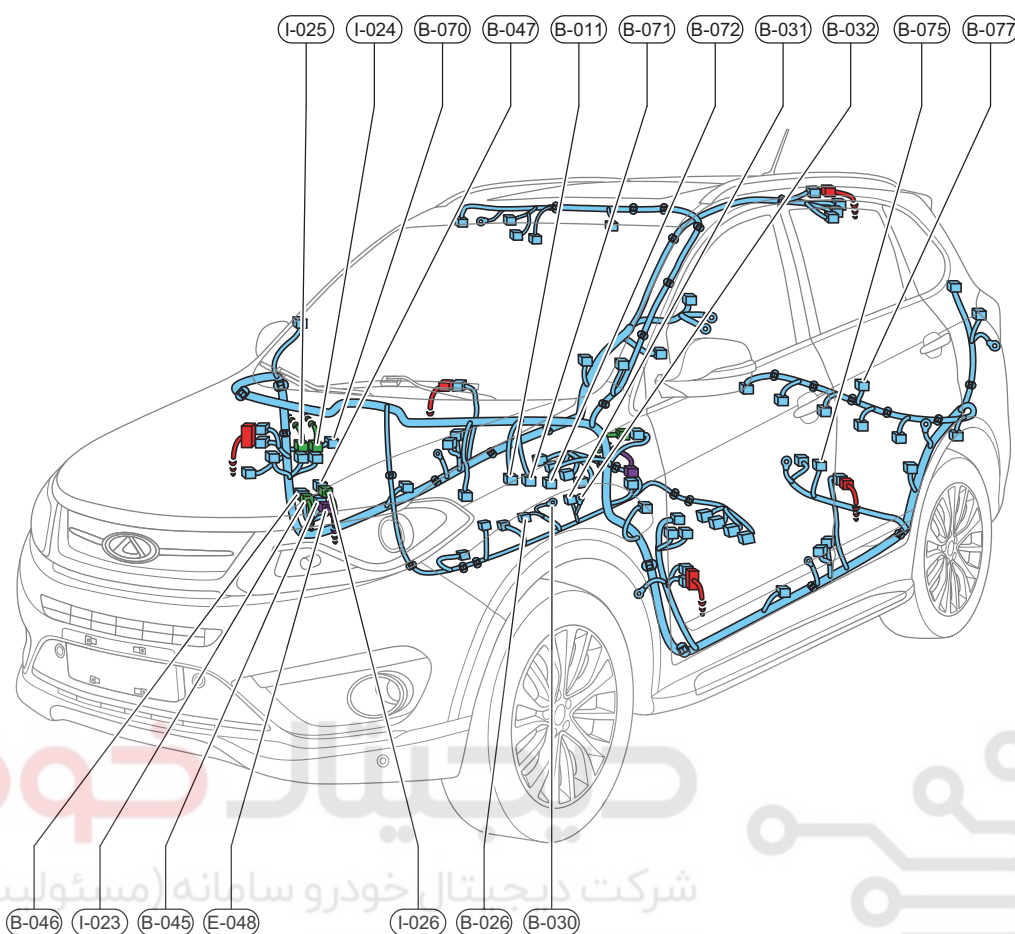
ET21680307

Connector Code	Connector Color/Pin	Connector Name
B-001	W/12	BCM (D)
B-002	B/1	BCM (F)
B-003	W/20	BCM (C)
B-004	W/18	to Front Left Door Wire Harness Connector F-001
B-005	-	Ground G201
B-006	Gr/18	to Front Left Door Wire Harness Connector F-001
B-007	L/32	BCM (B)
B-008	W/22	to Engine Compartment Wire Harness Connector E-059
B-009	W/22	to Instrument Panel Wire Harness Connector I-003
B-010	B/2	Front Left Speaker
B-012	B/6	Electronic Accelerator Pedal
B-013	B/4	Yaw Rate Sensor
B-014	B/2	Front Right Speaker

Connector Code	Connector Color/Pin	Connector Name
B-015	W/18	to Front Right Door Wire Harness Connector H-001
B-016	W/18	Instrument Panel Fuse and Relay Box B (B)
B-017	Gr/1	to Instrument Panel Wire Harness Connector I-025 (GPS*)
B-018	B/2	Front Right Doorsill Light
B-019	-	Ground G214
B-020	B/2	Front Passenger Seat Belt Pre-tensioner
B-021	/2	Right Side Collision Sensor
B-022	Y/16	to Rear Right Door Wire Harness Connector R-001
B-023	B/2	Front Passenger Side Airbag
B-024	B/2	Front Passenger Seat Belt Switch
B-025	W/2	Front Passenger Seat Belt Reminder Switch
B-027	B/2	Driver Side Airbag
B-028	B/2	Driver Seat Belt Switch
B-029	B/4	Driver Seat Power Adjustment Switch
B-034	B/3	Light & Rain Sensor
B-035	B/6	Sunroof
B-036	W/6	Front Room Light
B-036a	W/6	Front Room Light
B-037	-	Ground G206
B-038	B/2	Rear Right Wheel Speed Sensor
B-039	B/6	Rear Right Tail Light
B-039a	B/6	Rear Right Tail Light
B-040	-	Ground G216
B-041	-	Ground G218
B-042	B/2	Luggage Compartment Light
B-043	W/15	to Back Door Wire Harness Connector T-001
B-044	W/1	Antenna Power Supply
B-048a	B/2	Rear Radar Sensor 4
B-048	B/3	Rear Radar Sensor 4
B-049a	B/2	Rear Radar Sensor 3
B-049	B/3	Rear Radar Sensor 3
B-050a	B/2	Rear Radar Sensor 2
B-050	B/3	Rear Radar Sensor 2
B-051a	B/2	Rear Radar Sensor 1
B-051	B/3	Rear Radar Sensor 1
B-052	B/3	Rear Right Fog Light
B-052a	B/2	Rear Right Fog Light

68 - WIRE HARNESS

Connector Code	Connector Color/Pin	Connector Name
B-053	B/3	Rear Left Fog Light
B-053a	B/2	Rear Left Fog Light
B-054	B/6	Rear Left Tail Light
B-054a	B/6	Rear Left Tail Light
B-055	-	Ground G215
B-056	W/16	Reverse Radar Module
B-056a	W/24	Reverse Radar Module
B-057	-	Ground G213
B-058	B/2	Rear Left Wheel Speed Sensor
B-059	-	Ground G211
B-060	B/4	Fuel Pump Motor & Fuel Level Sensor
B-061	Y/16	to Rear Left Door Wire Harness Connector L-001
B-062	B/2	Driver Seat Belt Pre-tensioner
B-063	B/2	Left Side Collision Sensor
B-064	-	Ground G209
B-065	B/2	Front Left Doorsill Light
B-066	-	to Instrument Panel Wire Harness Connector I-024 (Antenna)
B-067	Gr/1	GPS*
B-068	-	Antenna
B-069	W/18	to Front Right Door Wire Harness Connector H-001
B-073	W/2	Left Vanity Mirror Light
B-074	W/2	Right Vanity Mirror Light
B-076	W/11	Command Gear Shift
B-078	B/1	Antenna Power Supply
B-079	W/8	Driver Seat Heater Switch
B-080	W/4	Driver Seat Heater
B-081	W/4	Front Passenger Seat Heater



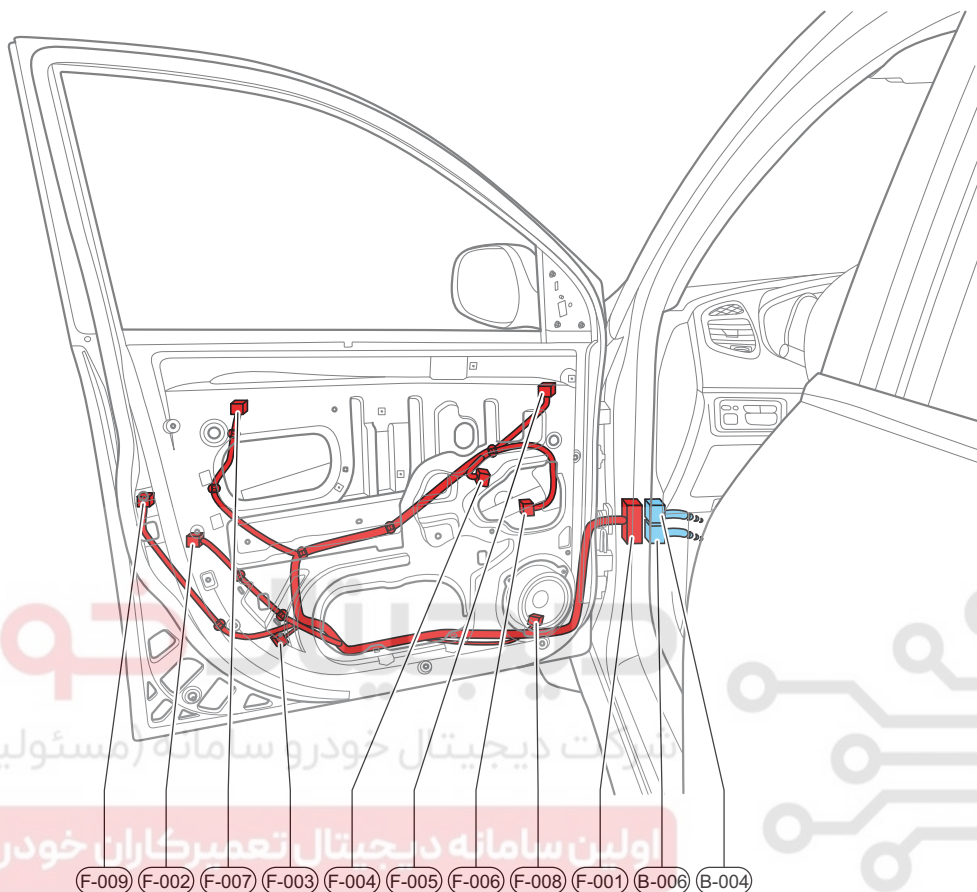
شرکت دیجیتال خودرو سامانه (مسئولیت محدود)

اولین سامانه دیجیتال تعمیرکاران خودرو در ایران

ET21680308

Connector Code	Connector Color/Pin	Connector Name
B-011	Lg/4	Brake Switch
B-030	-	Ground G212
B-031	B/1	Parking Brake Switch
B-032	-	Ground G207
B-026	B/32	SRS Control Module
B-045	W/22	to Engine Compartment Wire Harness Connector E-048
B-046	W/18	to Instrument Panel Wire Harness Connector I-023
B-047	W/16	to Instrument Panel Wire Harness Connector I-026
B-070	B/8	PEPS (J3)
B-071	B/6	Clutch Bottom Switch
B-072	B/2	Clutch Switch
B-075	B/2	Low Frequency Antenna 3
B-077	B/2	Rear Bumper Low Frequency Antenna

Front Left Door Wire Harness

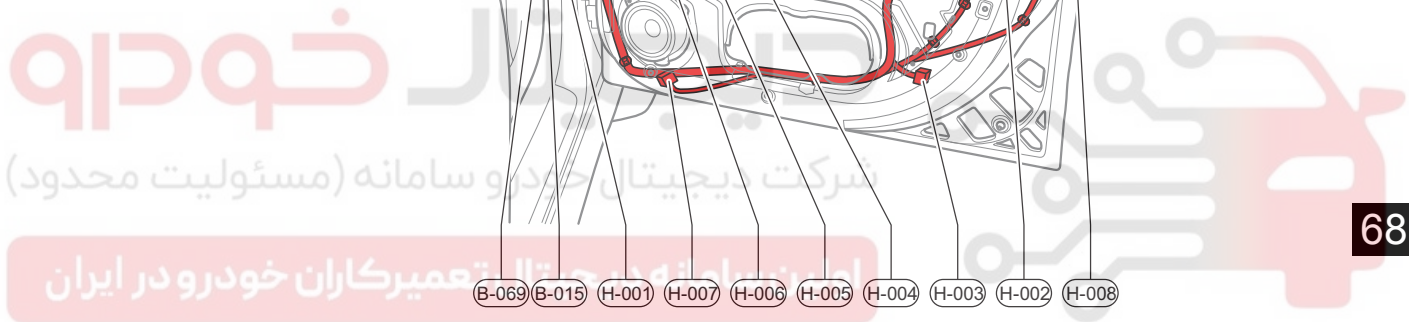
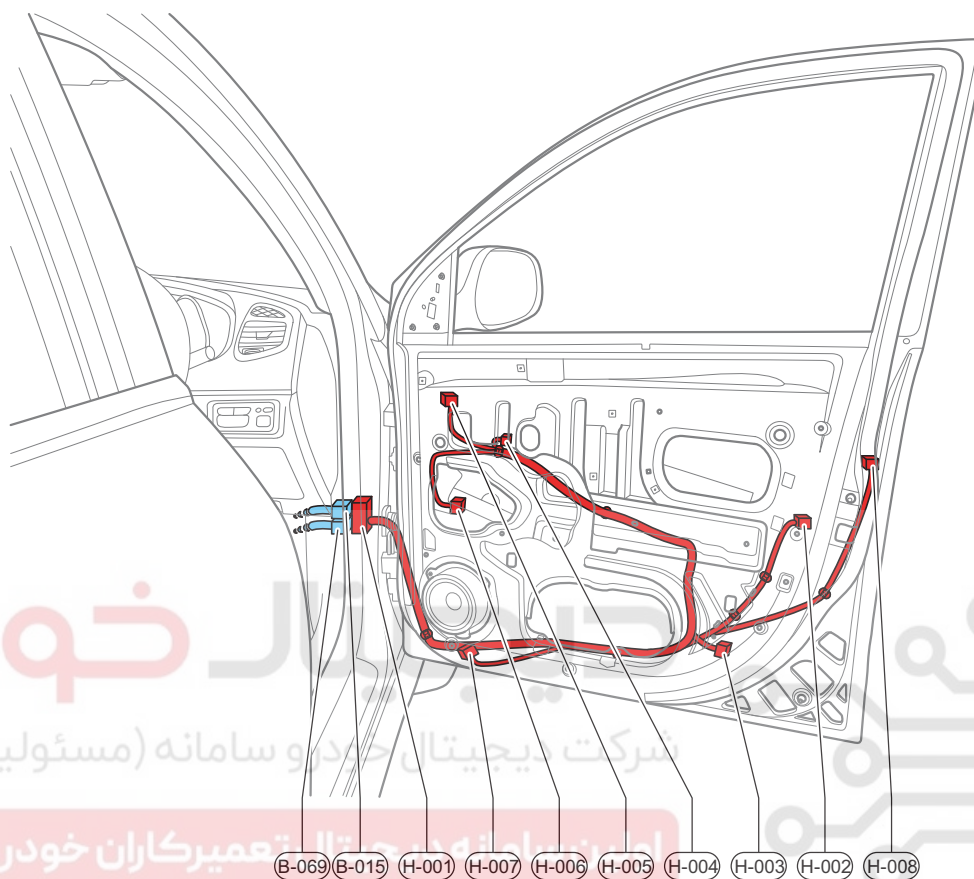


68

ET21680309

Connector Code	Connector Color/Pin	Connector Name
F-001	W/36	to Body Wire Harness Connector B-004, B-006
F-002	B/6	Front Left Door Contact Switch
F-003	W/2	Front Left Door Courtesy Light
F-004	Br/16	Front Left Power Window Switch
F-005	W/16	Power Rear View Mirror Motor
F-006a	Gr/2	Front Left Power Window Regulator Motor (w/o Anti-pinch Function)
F-006b	Gr/6	Front Left Anti-pinch Module (w/ Anti-pinch Function)
F-007	W/2	Anti-theft Indicator
F-008	B/2	Front Left Door Speaker
F-009	B/2	Left Handle Switch Unit

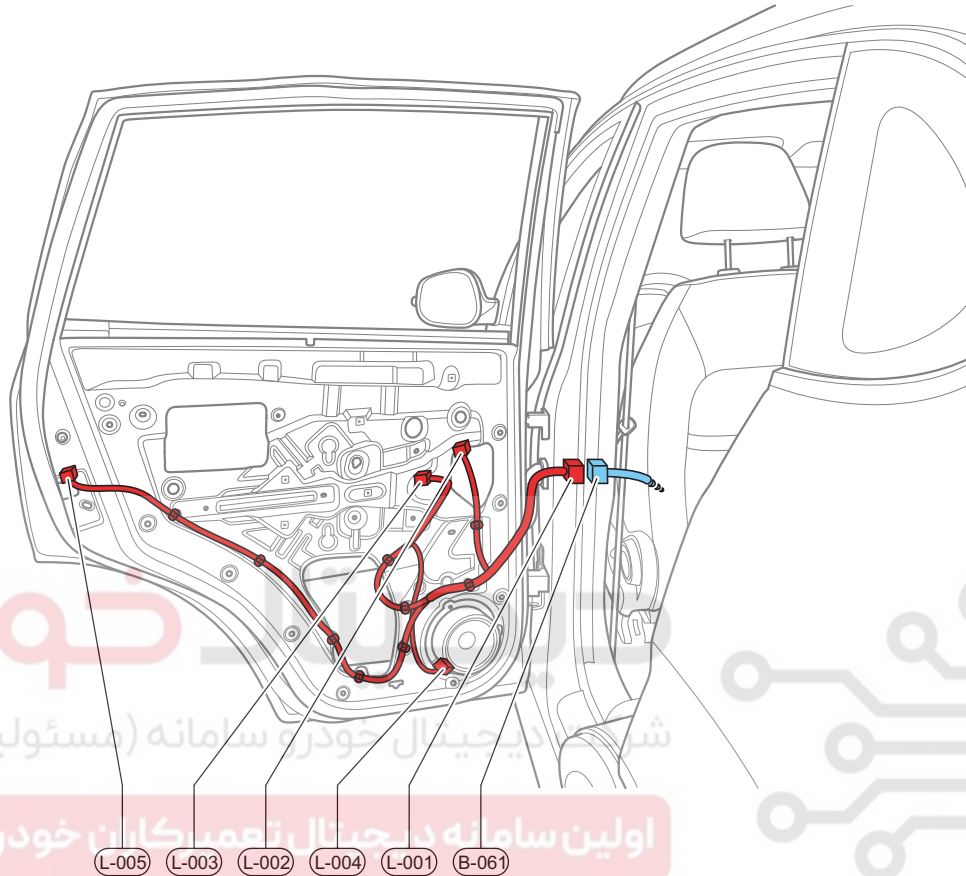
Front Right Door Wire Harness



ET21680310

Connector Code	Connector Color/Pin	Connector Name
H-001	W/36	to Body Wire Harness Connector B-015, B-069
H-002	B/6	Front Right Door Contact Switch
H-003	W/2	Front Right Door Courtesy Light
H-004	B/10	Front Right Power Window Switch
H-005	W/16	Power Rear View Mirror Motor
H-006a	Gr/2	Front Right Power Window Regulator Motor (w/o Anti-pinch Function)
H-006b	Gr/6	Front Right Anti-pinch Module (w/ Anti-pinch Function)
H-007	B/2	Front Right Door Speaker
H-008	B/2	Right Handle Switch Unit

Rear Left Door Wire Harness

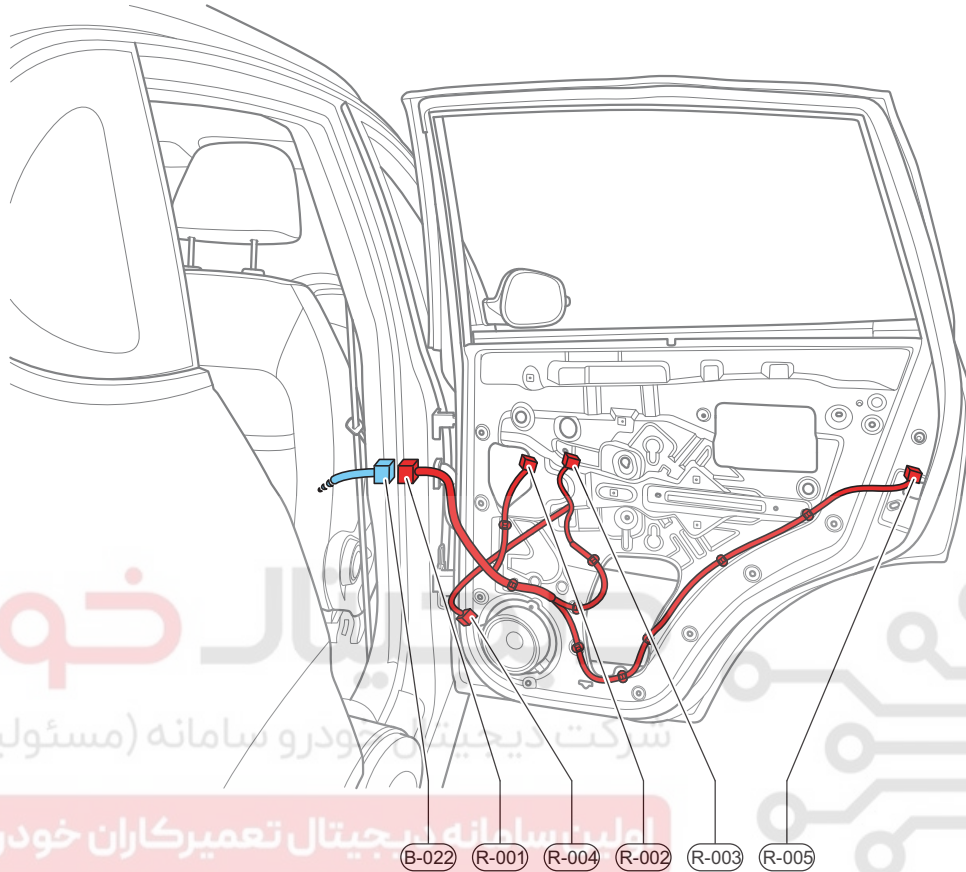


68

ET21680311

Connector Code	Connector Color/Pin	Connector Name
L-001	W/16	to Body Wire Harness Connector B-061
L-002a	Gr/2	Rear Left Power Window Regulator Motor (w/o Anti-pinch Function)
L-002b	Gr/6	Rear Left Anti-pinch Module (w/ Anti-pinch Function)
L-003	B/10	Rear Left Power Window Switch
L-004	B/2	Rear Left Door Speaker
L-005	B/6	Rear Left Door Contact Switch

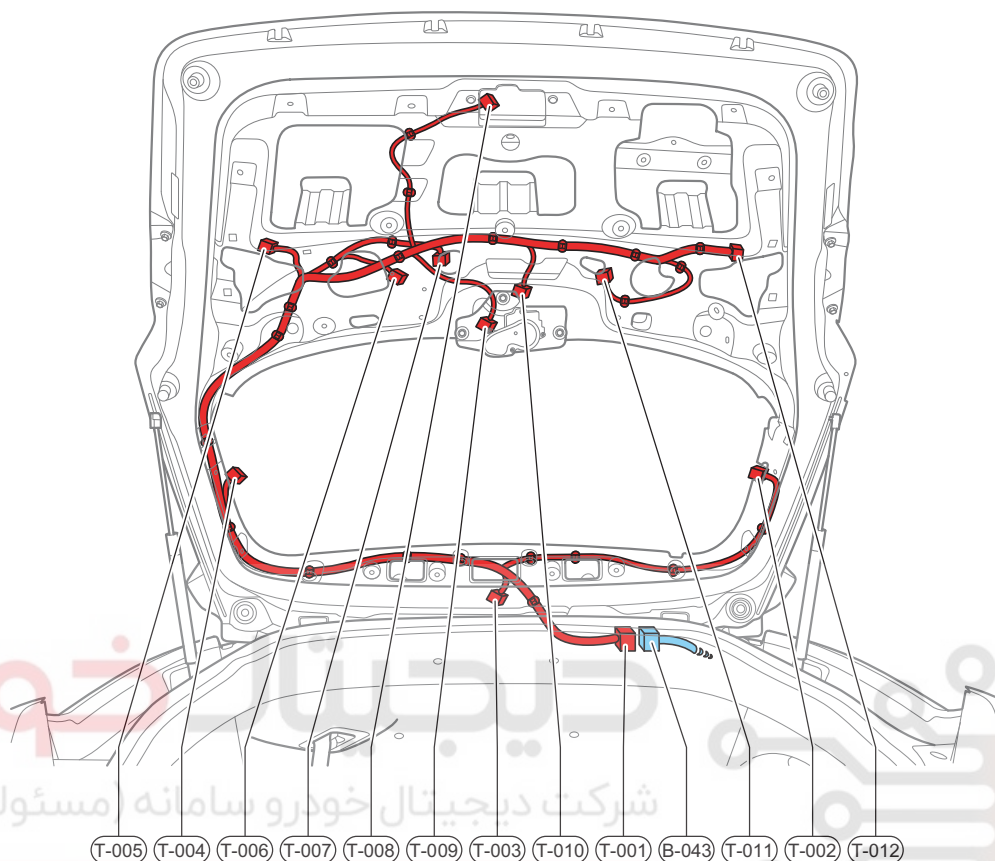
Rear Right Door Wire Harness



ET21680312

Connector Code	Connector Color/Pin	Connector Name
R-001	W/16	to Body Wire Harness Connector B-022
R-002a	Gr/2	Rear Right Power Window Regulator Motor (w/o Anti-pinch Function)
R-002b	Gr/6	Rear Right Anti-pinch Module (w/ Anti-pinch Function)
R-003	B/10	Rear Right Power Window Switch
R-004	B/2	Rear Right Door Speaker
R-005	B/6	Rear Right Door Contact Switch

Back Door Wire Harness

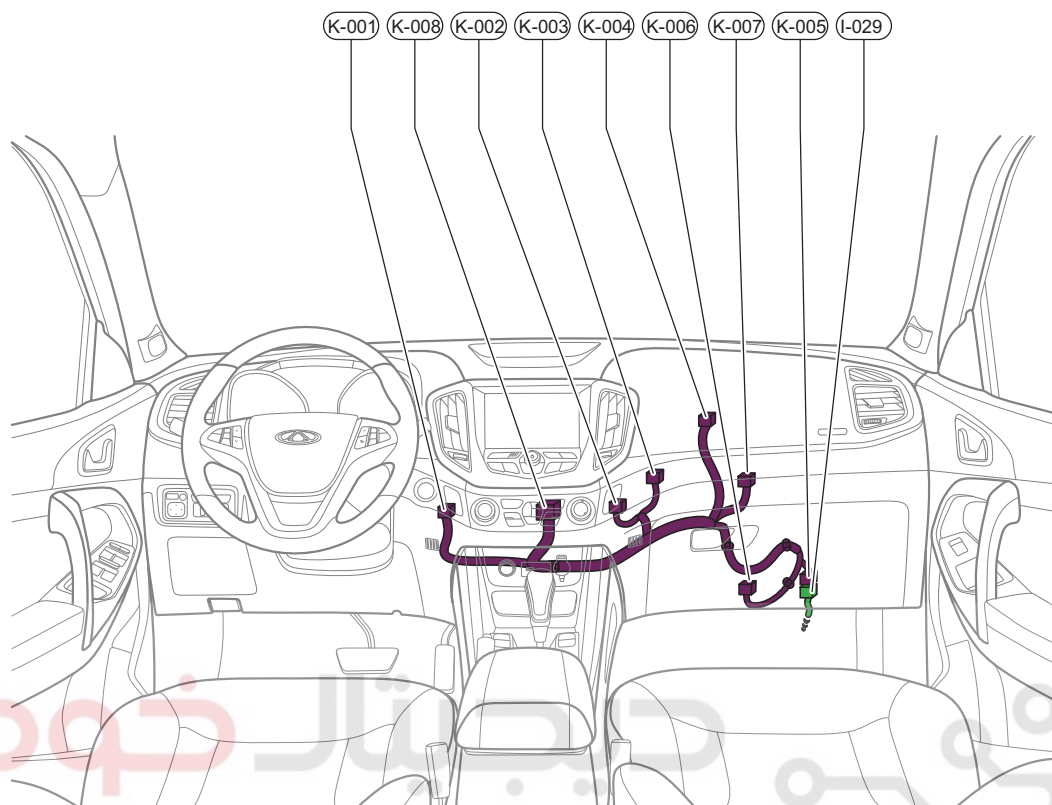


68

ET21680313

Connector Code	Connector Color/Pin	Connector Name
T-001	W/15	to Body Wire Harness Connector B-043
T-002	B/1	Defroster Negative
T-003	W/2	High Mounted Stop Light
T-004	B/1	Defroster Positive
T-005	B/2	Rear Left Tail Light
T-005a	B/2	Rear Left Tail Light
T-006	B/6	Camera
T-007	W/2	Left License Plate Light
T-008	W/6	Back Door Lock
T-009	W/3	Rear Wiper Motor
T-010	B/2	Back Door Switch
T-011	W/2	Right License Plate Light
T-012	B/2	Rear Right Tail Light
T-012a	B/2	Rear Right Tail Light

Electrical A/C System Wire Harness



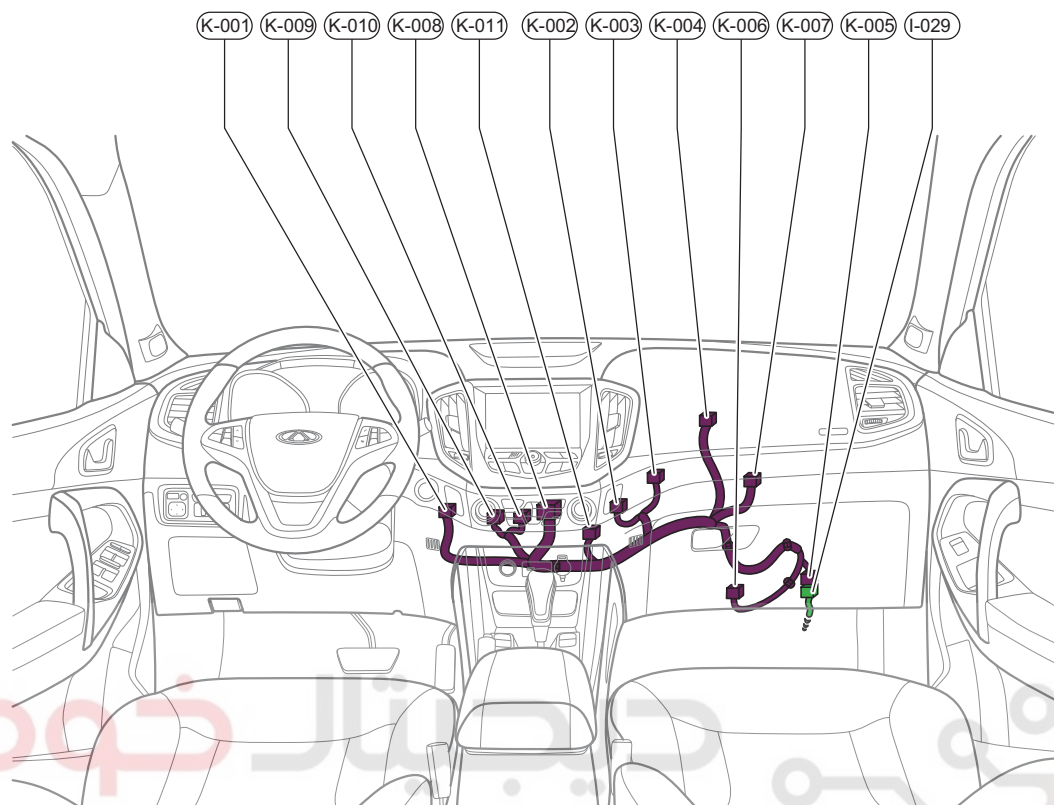
شرکت دیجیتال خودرو سامانه (مسئولیت محدود)

اولین سامانه دیجیتال تعمیرکاران خودرو در ایران

ET21680314

Connector Code	Connector Color/Pin	Connector Name
K-001	B/6	Mode Damper Motor
K-002	B/6	Mixed Damper Motor
K-003	B/6	Speed Resistor
K-004	W/2	Evaporator Temperature Sensor
K-005	W/22	to Instrument Panel Wire Harness Connector I-029
K-006	W/2	Blower
K-007	B/6	Inner and Outer Circulation Motor
K-008	W/40	HVAC Control Panel

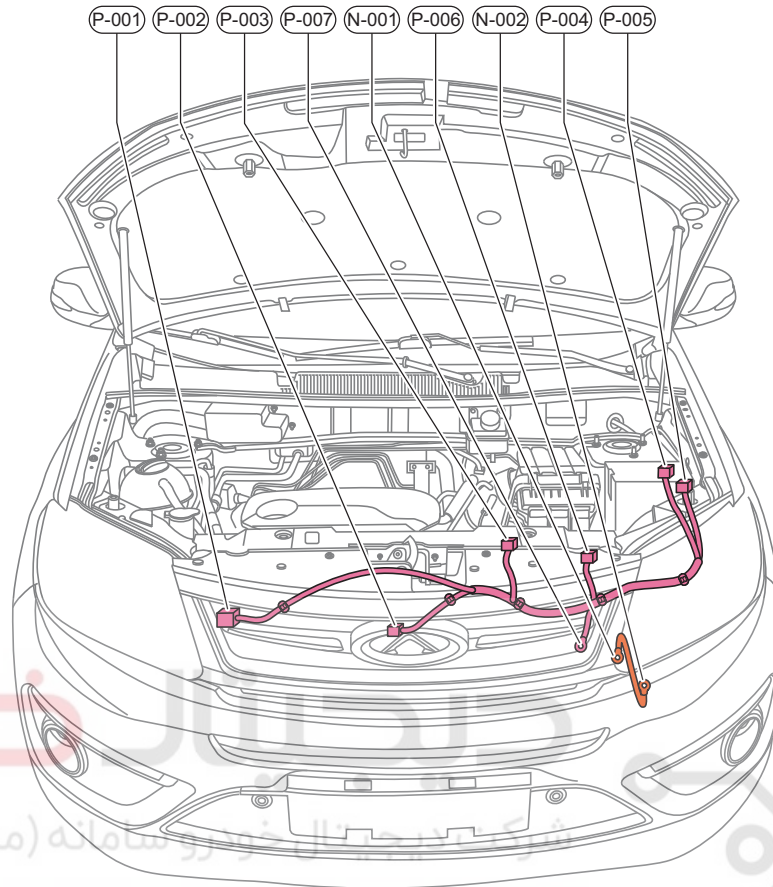
Automatic A/C System Wire Harness



شرکت دیجیتال خودرو سامانه (مسئولیت محدود)

Connector Code	Connector Color/Pin	Connector Name
K-001	B/6	Mode Damper Motor
K-002	B/6	Right Mixed Damper Motor
K-003	B/6	Speed Resistor
K-004	W/2	Evaporator Temperature Sensor
K-005	W/22	to Instrument Panel Wire Harness Connector I-029
K-006	W/2	Blower
K-007	B/6	Inner and Outer Circulation Motor
K-008	W/40	HVAC Control Panel
K-009	B/6	Left Mixed Damper Motor
K-010	W/2	Left Room Temperature Sensor
K-011	W/2	Right Room Temperature Sensor

Battery/Ground Wire Harness



اولین سامانه دیجیتال تعمیرکاران خودرو در ایران



ET21680316

Connector Code	Connector Color/Pin	Connector Name
P-001	-	Alternator
P-002	-	Starter
P-003	-	Battery Positive
P-004	-	Engine Compartment Fuse and Relay Box Power Supply
P-005	-	Alternator Power Supply
P-006	-	Battery Negative
P-007	-	Body Ground
N-001	-	Engine Ground
N-002	-	Body Ground

دیجیتال خودرو

شرکت دیجیتال خودرو سامانه (مسئولیت محدود)

اولین سامانه دیجیتال تعمیرکاران خودرو در ایران



A

Abbreviation Table, Introduction.....	02-28
Adjustment Item, Maintenance.....	05-7
Air Conditioning.....	42-1
Air Conditioning, Preparation.....	03-52
Air Conditioning, Service Specifications.....	04-61
Audio System.....	52-1
Audio System, Preparation.....	03-62
Audio System, Service Specifications.....	04-70
Axle.....	33-1
Axle, Preparation.....	03-43
Axle, Service Specifications.....	04-47

B

Body Dimensions.....	65-1
Brake.....	37-1
Brake Control System.....	36-1
Brake Control System, Preparation.....	03-46
Brake Control System, Service Specifications.....	04-54
Brake, Preparation.....	03-47
Brake, Service Specifications.....	04-55

C

CAN Communication.....	66-1
CAN Communication, Preparation.....	03-73
Circuit Diagnosis Information, Introduction.....	02-15
Circuit Information, Introduction.....	02-22
Clutch.....	30-1
Clutch, Preparation.....	03-41
Clutch, Service Specifications.....	04-44

Configuration Code Reading, Matching.....	67-27
Constant Speed Cruise System.....	47-1
Constant Speed Cruise System, Preparation.....	03-57
Constant Speed Cruise System, Service Specifications.....	04-65

D

Diagnosis & Inspection, SQRE4T15 Engine Mechanical.....	009-18
Diagnosis & Testing, Air Conditioning.....	42-15
Diagnosis & Testing, Audio System.....	52-10
Diagnosis & Testing, Axle.....	33-9
Diagnosis & Testing, Brake.....	37-9
Diagnosis & Testing, Brake Control System.....	36-12
Diagnosis & Testing, CAN Communication.....	66-6
Diagnosis & Testing, Clutch.....	30-7
Diagnosis & Testing, Constant Speed Cruise System.....	47-9
Diagnosis & Testing, Differential.....	32-6
Diagnosis & Testing, Door Lock.....	50-17
Diagnosis & Testing, Electronic Power Steering.....	41-8
Diagnosis & Testing, Engine Immobilizer.....	45-7
Diagnosis & Testing, Horn.....	55-6
Diagnosis & Testing, Hydraulic Assist Steering.....	40-6
Diagnosis & Testing, Instrument Cluster.....	51-14
Diagnosis & Testing, Lighting System.....	48-25
Diagnosis & Testing, Parking Brake.....	38-7
Diagnosis & Testing, PEPS System.....	46-20
Diagnosis & Testing, QR019CH A/B CVT.....	29-21
Diagnosis & Testing, QR525MHJ Transmission.....	28-12

INDEX

Diagnosis & Testing, Rear View Mirror.....	58-6	Diagnosis & Testing, Steering Column	39-7
Diagnosis & Testing, Reversing Radar System.....	53-12	Diagnosis & Testing, Supplemental Restraint System	43-12
Diagnosis & Testing, Seat Belt.....	44-7	Diagnosis & Testing, Suspension	34-12
Diagnosis & Testing, Sliding Roof	64-6	Diagnosis & Testing, Tire and Wheel	35-5
Diagnosis & Testing, SQR484F Charging System	26-6	Diagnosis & Testing, Tire Pressure Monitoring System	54-6
Diagnosis & Testing, SQR484F Cooling System	18-10	Diagnosis & Testing, Windshield/Window Glass	57-18
Diagnosis & Testing, SQR484F Emission Control System	12-6	Diagnosis & Testing, Wiper and Washer	49-8
Diagnosis & Testing, SQR484F Engine Management System	06-20	Differential	32-1
Diagnosis & Testing, SQR484F Engine Mechanical	07-19	Differential, Preparation	03-42
Diagnosis & Testing, SQR484F Exhaust System.....	16-6	Differential, Service Specifications.....	04-46
Diagnosis & Testing, SQR484F Fuel Supply System.....	10-9	Door Lock	50-1
Diagnosis & Testing, SQR484F Ignition System.....	22-6	Door Lock, Preparation	03-60
Diagnosis & Testing, SQR484F Intake System.....	14-8	Door Lock, Service Specifications.....	04-68
Diagnosis & Testing, SQR484F Lubrication System	20-8	Drive Shaft.....	31-1
Diagnosis & Testing, SQR484F Starting System	24-7	Drive Shaft, Service Specifications.....	04-45
Diagnosis & Testing, SQRE4T15 Charging System.....	27-6	E	
Diagnosis & Testing, SQRE4T15 Cooling System	19-10	Electronic Power Steering	41-1
Diagnosis & Testing, SQRE4T15 Emission Control System	13-6	Electronic Power Steering, Preparation	03-51
Diagnosis & Testing, SQRE4T15 Engine Management System.....	07-24	Electronic Power Steering, Service Specifications.....	04-60
Diagnosis & Testing, SQRE4T15 Exhaust System	17-7	Electronic Throttle Self-learning, Matching	67-20
Diagnosis & Testing, SQRE4T15 Fuel Supply System	11-9	Engine Block Unit Repair, SQRE4T15 Engine Mechanical	009-67
Diagnosis & Testing, SQRE4T15 Ignition System.....	23-6	Engine Hood/Door.....	61-1
Diagnosis & Testing, SQRE4T15 Intake System	15-9	Engine Hood/Door, Preparation	03-70
Diagnosis & Testing, SQRE4T15 Lubrication System.....	21-7	Engine Hood/Door, Service Specifications.....	04-78
Diagnosis & Testing, SQRE4T15 Starting System	25-10	Engine Immobilizer.....	45-1
		Engine Immobilizer System (Peps), Matching	67-3
		Engine Immobilizer, Preparation	03-55
		Engine Unit Repair, SQR484F Engine Mechanical	07-70

Exterior.....	62-1
Exterior, Preparation	03-71
Exterior, Service Specifications.....	04-80

G

General Information, Air Conditioning	42-3
General Information, Audio System	52-3
General Information, Axle.....	33-3
General Information, Body Dimensions.....	65-3
General Information, Brake	37-3
General Information, Brake Control System.....	36-3
General Information, CAN Communication	66-3
General Information, Clutch	30-3
General Information, Constant Speed Cruise System.....	47-3
General Information, Differential	32-3
General Information, Door Lock	50-3
General Information, Drive Shaft.....	31-3
General Information, Electronic Power Steering	41-3
General Information, Engine Hood/Door.....	61-3
General Information, Engine Immobilizer	45-3
General Information, Exterior	62-3
General Information, Horn.....	55-3
General Information, Hydraulic Assist Steering.....	40-3
General Information, Instrument Cluster	51-3
General Information, Instrument Panel	59-3
General Information, Interior	63-3
General Information, Lighting System.....	48-3

General Information, Other System.....	56-3
General Information, Parking Brake	38-3
General Information, PEPS System	46-3
General Information, QR019CH A/B CVT	29-3
General Information, QR525MHJ Transmission.....	28-3
General Information, Rear View Mirror.....	58-3
General Information, Reversing Radar System.....	53-3
General Information, Seat	60-3
General Information, Seat Belt	44-3
General Information, Sliding Roof	64-3
General Information, SQR484F Charging System	26-3
General Information, SQR484F Cooling System.....	18-3
General Information, SQR484F Emission Control System.....	12-3
General Information, SQR484F Engine Management System.....	06-3
General Information, SQR484F Engine Mechanical	07-3
General Information, SQR484F Exhaust System.....	16-3
General Information, SQR484F Fuel Supply System.....	10-3
General Information, SQR484F Ignition System	22-3
General Information, SQR484F Intake System	14-3
General Information, SQR484F Lubrication System	20-3
General Information, SQR484F Starting System.....	24-3
General Information, SQRE4T15 Charging System.....	27-3
General Information, SQRE4T15 Cooling System	19-3
General Information, SQRE4T15 Emission Control System	13-3
General Information, SQRE4T15 Engine Management System	07-5
General Information, SQRE4T15 Engine Mechanical	009-3

INDEX

General Information,
SQRE4T15 Exhaust System 17-3

General Information,
SQRE4T15 Fuel Supply System 11-3

General Information,
SQRE4T15 Ignition System..... 23-3

General Information,
SQRE4T15 Intake System 15-3

General Information,
SQRE4T15 Lubrication System..... 21-3

General Information,
SQRE4T15 Starting System 25-3

General Information,
Steering Column 39-3

General Information,
Supplemental Restraint System 43-3

General Information,
Suspension..... 34-3

General Information,
Tire and Wheel 35-3

General Information,
Tire Pressure Monitoring System 54-3

General Information,
Windshield/Window Glass 57-3

General Information,
Wiper and Washer 49-3

H

Horn 55-1

Horn,
Preparation 03-65

Horn,
Service Specifications..... 04-72

Hydraulic Assist Steering 40-1

Hydraulic Assist Steering,
Preparation 03-50

Hydraulic Assist Steering,
Service Specifications..... 04-59

I

Inspection Items,
Maintenance 05-8

Instrument Cluster 51-1

Instrument Cluster,
Preparation 03-61

Instrument Cluster,
Service Specifications..... 04-69

Instrument Panel 59-1

Instrument Panel,
Preparation 03-68

Instrument Panel,
Service Specifications..... 04-75

Interior 63-1

Interior,
Preparation 03-72

Interior,
Service Specifications..... 04-82

Introduction 02-1

L

Language Switching (DVD),
Matching 67-26

Lighting System 48-1

Lighting System,
Preparation 03-58

Lighting System,
Service Specifications..... 04-66

M

Maintenance 05-1

Maintenance Items,
Maintenance 05-3

Maintenance Mileage Reset,
Matching 67-32

Matching 67-1

O

On-vehicle Service,
Air Conditioning 42-59

On-vehicle Service,
Audio System..... 52-11

On-vehicle Service,
Axle 33-10

On-vehicle Service,
Brake 37-12

On-vehicle Service,
Brake Control System..... 36-85

On-vehicle Service,
Clutch..... 30-8

On-vehicle Service,
Differential..... 32-7

On-vehicle Service,
Door Lock 50-39

On-vehicle Service,
Drive Shaft..... 31-5

On-vehicle Service,
Electronic Power Steering..... 41-22

On-vehicle Service,
Engine Hood/Door 61-11

On-vehicle Service, Engine Immobilizer	45-27	On-vehicle Service, SQR484F Lubrication System	20-11
On-vehicle Service, Exterior	62-8	On-vehicle Service, SQR484F Starting System.....	24-10
On-vehicle Service, Horn.....	55-8	On-vehicle Service, SQRE4T15 Charging System.....	27-7
On-vehicle Service, Hydraulic Assist Steering.....	40-10	On-vehicle Service, SQRE4T15 Cooling System	19-13
On-vehicle Service, Instrument Cluster	51-48	On-vehicle Service, SQRE4T15 Emission Control System	13-7
On-vehicle Service, Instrument Panel	59-9	On-vehicle Service, SQRE4T15 Engine Management System.....	07-283
On-vehicle Service, Interior	63-9	On-vehicle Service, SQRE4T15 Engine Mechanical	009-22
On-vehicle Service, Lighting System.....	48-67	On-vehicle Service, SQRE4T15 Exhaust System	17-8
On-vehicle Service, Other System.....	56-5	On-vehicle Service, SQRE4T15 Fuel Supply System	11-12
On-vehicle Service, Parking Brake	38-8	On-vehicle Service, SQRE4T15 Ignition System.....	23-8
On-vehicle Service, PEPS System	46-75	On-vehicle Service, SQRE4T15 Intake System.....	15-10
On-vehicle Service, QR019CH A/B CVT	29-112	On-vehicle Service, SQRE4T15 Lubrication System.....	21-10
On-vehicle Service, QR525MHJ Transmission.....	28-14	On-vehicle Service, SQRE4T15 Starting System	25-13
On-vehicle Service, Rear View Mirror.....	58-7	On-vehicle Service, Steering Column	39-10
On-vehicle Service, Reversing Radar System.....	53-17	On-vehicle Service, Supplemental Restraint System	43-76
On-vehicle Service, Seat	60-13	On-vehicle Service, Suspension	34-14
On-vehicle Service, Seat Belt	44-8	On-vehicle Service, Tire and Wheel	35-7
On-vehicle Service, Sliding Roof	64-7	On-vehicle Service, Tire Pressure Monitoring System	54-33
On-vehicle Service, SQR484F Charging System	26-7	On-vehicle Service, Windshield/Window Glass	57-79
On-vehicle Service, SQR484F Cooling System	18-13	On-vehicle Service, Wiper and Washer	49-21
On-vehicle Service, SQR484F Emission Control System	12-7	Other System	56-1
On-vehicle Service, SQR484F Engine Management System ...	06-243		
On-vehicle Service, SQR484F Engine Mechanical	07-23		
On-vehicle Service, SQR484F Exhaust System.....	16-7		
On-vehicle Service, SQR484F Fuel Supply System.....	10-12		
On-vehicle Service, SQR484F Intake System	14-9		

P

Parking Brake.....	38-1
Parking Brake, Preparation	03-48
Parking Brake, Service Specifications.....	04-57
PEPS System.....	46-1

INDEX

PEPS System, Preparation	03-56
Preparation	03-1

Q

QR019CH A/B CVT	29-1
QR019CH A/B CVT, Preparation	03-40
QR019CH A/B CVT, Service Specifications	04-42
QR525MHJ Transmission	28-1
QR525MHJ Transmission, Preparation	03-38
QR525MHJ Transmission, Service Specifications	04-41

R

Rear View Mirror	58-1
Rear View Mirror, Preparation	03-67
Rear View Mirror, Service Specifications	04-74
Replacement Instruction, Maintenance	05-6
Reversing Radar System	53-1
Reversing Radar System, Preparation	03-63

S

Seat	60-1
Seat Belt	44-1
Seat Belt, Preparation	03-54
Seat Belt, Service Specifications	04-64
Seat, Preparation	03-69
Seat, Service Specifications	04-77
Service Information, Introduction	02-3
Service Specifications	04-1
Sliding Roof	64-1
Sliding Roof, Service Specifications	04-83
SQR484F Charging System	26-1
SQR484F Charging System, Preparation	03-36

SQR484F Charging System, Service Specifications	04-39
SQR484F Cooling System	18-1
SQR484F Cooling System, Preparation	03-28
SQR484F Cooling System, Service Specifications	04-30
SQR484F Emission Control System	12-1
SQR484F Emission Control System, Preparation	03-22
SQR484F Emission Control System, Service Specifications	04-24
SQR484F Engine Management System	06-1
SQR484F Engine Management System, Preparation	03-3
SQR484F Engine Management System, Service Specifications	04-3
SQR484F Engine Mechanical	08-1
SQR484F Engine Mechanical, Preparation	03-7
SQR484F Engine Mechanical, Service Specifications	04-7
SQR484F Exhaust System	16-1
SQR484F Exhaust System, Preparation	03-26
SQR484F Exhaust System, Service Specifications	04-28
SQR484F Fuel Supply System	10-1
SQR484F Fuel Supply System, Preparation	03-20
SQR484F Fuel Supply System, Service Specifications	04-22
SQR484F Ignition System	22-1
SQR484F Ignition System, Preparation	03-32
SQR484F Ignition System, Service Specifications	04-35
SQR484F Intake System	14-1
SQR484F Intake System, Preparation	03-24
SQR484F Intake System, Service Specifications	04-26
SQR484F Lubrication System	20-1
SQR484F Lubrication System, Preparation	03-30
SQR484F Lubrication System, Service Specifications	04-33
SQR484F Starting System	24-1
SQR484F Starting System, Preparation	03-34

SQR484F Starting System, Service Specifications.....	04-37	SQRE4T15 Lubrication System, Service Specifications.....	04-34
SQRE4T15 Charging System	27-1	SQRE4T15 Starting System.....	25-1
SQRE4T15 Charging System, Preparation	03-37	SQRE4T15 Starting System, Preparation	03-35
SQRE4T15 Charging System, Service Specifications.....	04-40	SQRE4T15 Starting System, Service Specifications.....	04-38
SQRE4T15 Cooling System.....	19-1	Stall Test, Matching	67-25
SQRE4T15 Cooling System, Preparation	03-29	Steering Angle Sensor Matching and Yaw Rate Sensor Matching, Matching	67-21
SQRE4T15 Cooling System, Service Specifications.....	04-32	Steering Column.....	39-1
SQRE4T15 Emission Control System.....	13-1	Steering Column, Preparation	03-49
SQRE4T15 Emission Control System, Preparation	03-23	Steering Column, Service Specifications.....	04-58
SQRE4T15 Emission Control System, Service Specifications.....	04-25	Sunroof Initialization Learning, Matching	67-19
SQRE4T15 Engine Management System.....	07-1	Supplemental Restraint System	43-1
SQRE4T15 Engine Management System, Preparation	03-5	Supplemental Restraint System, Preparation	03-53
SQRE4T15 Engine Management System, Service Specifications.....	04-5	Supplemental Restraint System, Service Specifications.....	04-63
SQRE4T15 Engine Mechanical	09-1	Suspension	34-1
SQRE4T15 Engine Mechanical, Preparation	03-14	Suspension, Preparation	03-45
SQRE4T15 Engine Mechanical, Service Specifications.....	04-15	Suspension, Service Specifications.....	04-49
SQRE4T15 Exhaust System.....	17-1		
SQRE4T15 Exhaust System, Preparation	03-27	T	
SQRE4T15 Exhaust System, Service Specifications.....	04-29	Tire and Wheel	35-1
SQRE4T15 Fuel Supply System.....	11-1	Tire and Wheel, Service Specifications.....	04-52
SQRE4T15 Fuel Supply System, Preparation	03-21	Tire Pressure Monitoring System	54-1
SQRE4T15 Fuel Supply System, Service Specifications.....	04-23	Tire Pressure Monitoring System, Preparation	03-64
SQRE4T15 Ignition System	23-1	Tire Pressure Monitoring System, Service Specifications.....	04-71
SQRE4T15 Ignition System, Preparation	03-33	Tire Pressure Self-learning, Matching	67-11
SQRE4T15 Ignition System, Service Specifications.....	04-36		
SQRE4T15 Intake System	15-1	V	
SQRE4T15 Intake System, Preparation	03-25	Vehicle Fuse & Relay, Wire Harness	68-58
SQRE4T15 Intake System, Service Specifications.....	04-27	Vehicle Ground Distribution, Wire Harness	68-43
SQRE4T15 Lubrication System	21-1	Vehicle Information, Introduction	02-11
SQRE4T15 Lubrication System, Preparation	03-31		

INDEX

Vehicle Power Distribution, Wire Harness	68-12
Vehicle Wire Harness Layout, Wire Harness	68-67

W

Window Jam Protection Self-learning, Matching	67-18
Windshield/Window Glass.....	57-1
Windshield/Window Glass, Preparation	03-66
Windshield/Window Glass, Service Specifications.....	04-73
Wiper and Washer	49-1
Wiper and Washer, Preparation	03-59
Wiper and Washer, Service Specifications.....	04-67
Wire Harness	68-1
Wire Harness Information, Wire Harness	68-3
Wireless Key Matching (Not Peps), Matching	67-9



دیجیتال خودرو
شرکت دیجیتال خودرو سامانه (مسئولیت محدود)

اولین سامانه دیجیتال تعمیرکاران خودرو در ایران