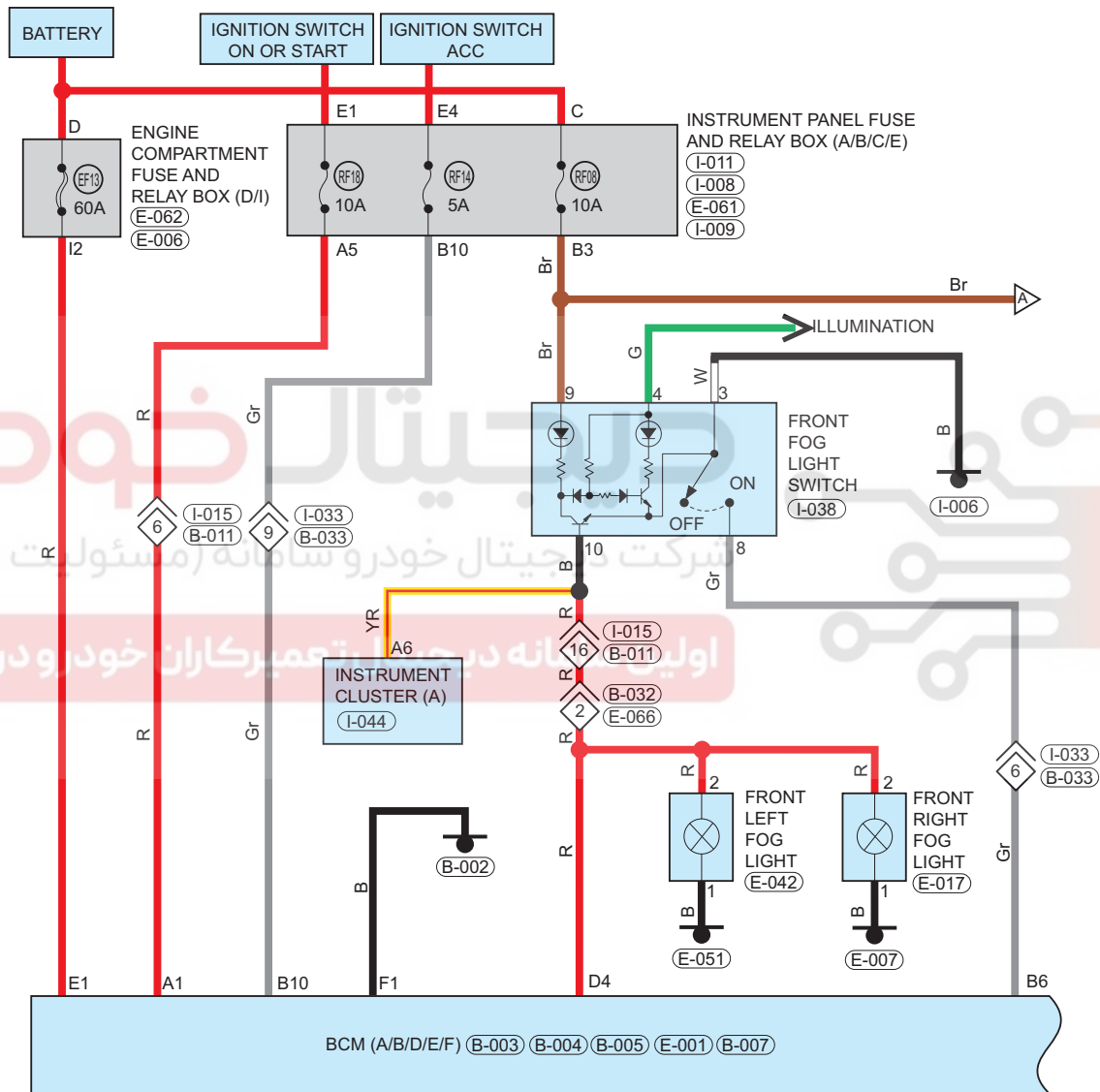


Fog Light

Circuit Diagram (Page 1 of 2)



09

ET11090460

Parts Location

Connector Code	See Page	Connector Code	See Page	Connector Code	See Page
E-062	08-4 (MT)	E-006	08-4 (MT)	E-017	08-4 (MT)
	08-7 (CVT)		08-7 (CVT)		08-7 (CVT)
E-051	08-4 (MT)	E-061	08-4 (MT)	E-001	08-4 (MT)
	08-7 (CVT)		08-7 (CVT)		08-7 (CVT)
E-042	08-4 (MT)	E-007	08-4 (MT)	I-044	08-12
	08-7 (CVT)		08-7 (CVT)		
B-002	08-17	I-038	08-12	I-011	08-12
I-008	08-12	I-006	08-12	B-003	08-17
B-004	08-17	B-005	08-17	I-009	08-12
B-007	08-17				

Fuse and Relay

Fuse/Relay	See Page	Fuse and Relay Box
RF08	06-12	Instrument Panel Fuse and Relay Box
RF14	06-12	Instrument Panel Fuse and Relay Box
RF18	06-12	Instrument Panel Fuse and Relay Box
EF13	06-5	Engine Compartment Fuse and Relay Box

Location of Junction Connector

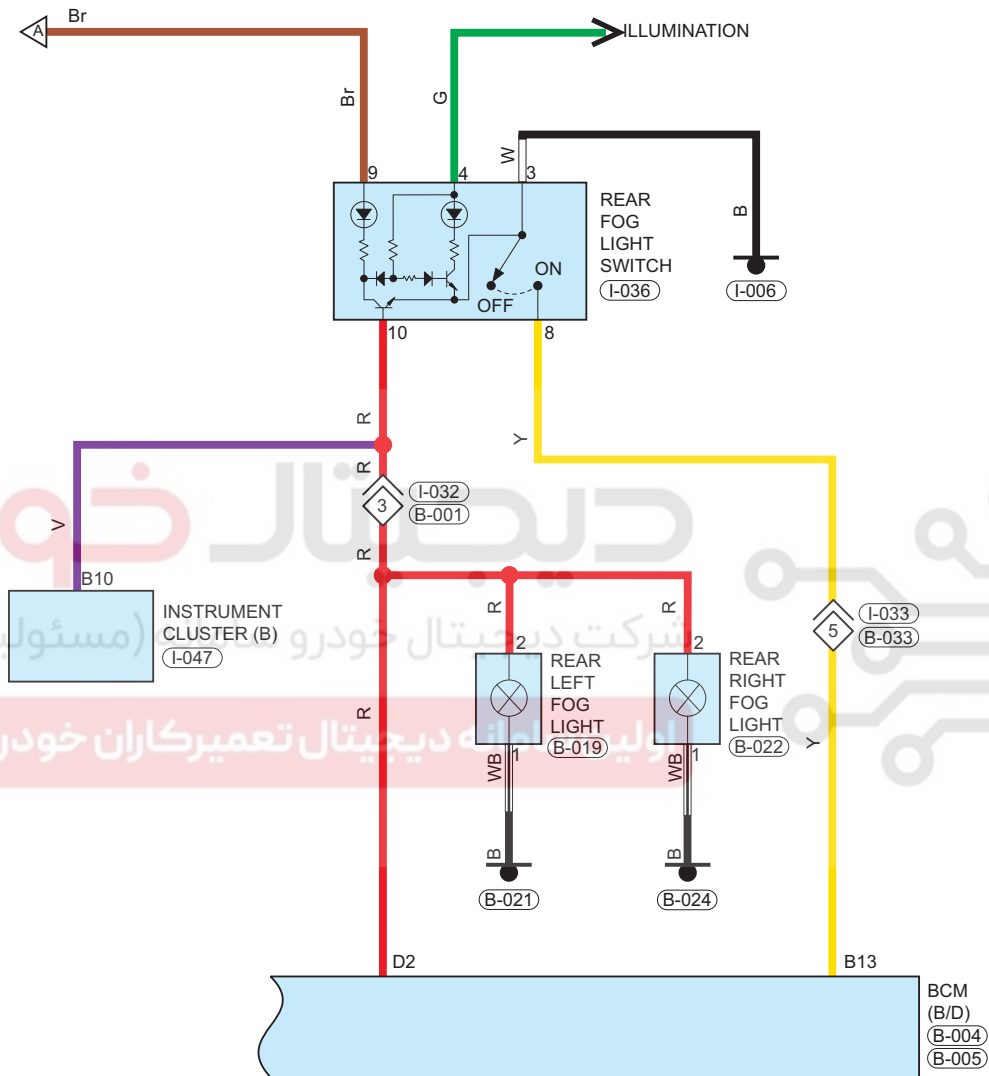
Connector Code	See Page	Connector Code	See Page	Connector Code	See Page
I-015, B-011	08-12, 08-17	I-033, B-033	08-12, 08-17	B-032, E-066	08-17, 08-4 (MT)
					08-17, 08-7 (CVT)

09

Form of Connector

Connector Code	See Page	Connector Code	See Page	Connector Code	See Page
E-062	12-4	E-006	12-2	I-011	12-8
I-008	12-8	E-061	12-4	I-009	12-8
I-038	12-10	I-006	12-8	I-044	12-10
B-002	12-12	E-042	12-3	E-017	12-2
E-051	12-4	E-007	12-2	B-003	12-12
B-004	12-12	B-005	12-12	E-001	12-2
B-007	12-12	I-015, B-011	12-9	I-033, B-033	12-10
B-032, E-066	12-14				

Circuit Diagram (Page 2 of 2)



09

ET11090470