

Parts Location

Connector Code	See Page	Connector Code	See Page	Connector Code	See Page
E-014	08-4 (MT)	E-015	08-4 (MT)	E-058	08-4 (MT)
	08-7 (CVT)		08-7 (CVT)		08-7 (CVT)
I-009	08-12	B-010	08-17	I-045	08-12
I-031	08-12				

Fuse and Relay

Fuse/Relay	See Page	Fuse and Relay Box
RF10	06-12	Instrument Panel Fuse and Relay Box
RF11	06-12	Instrument Panel Fuse and Relay Box

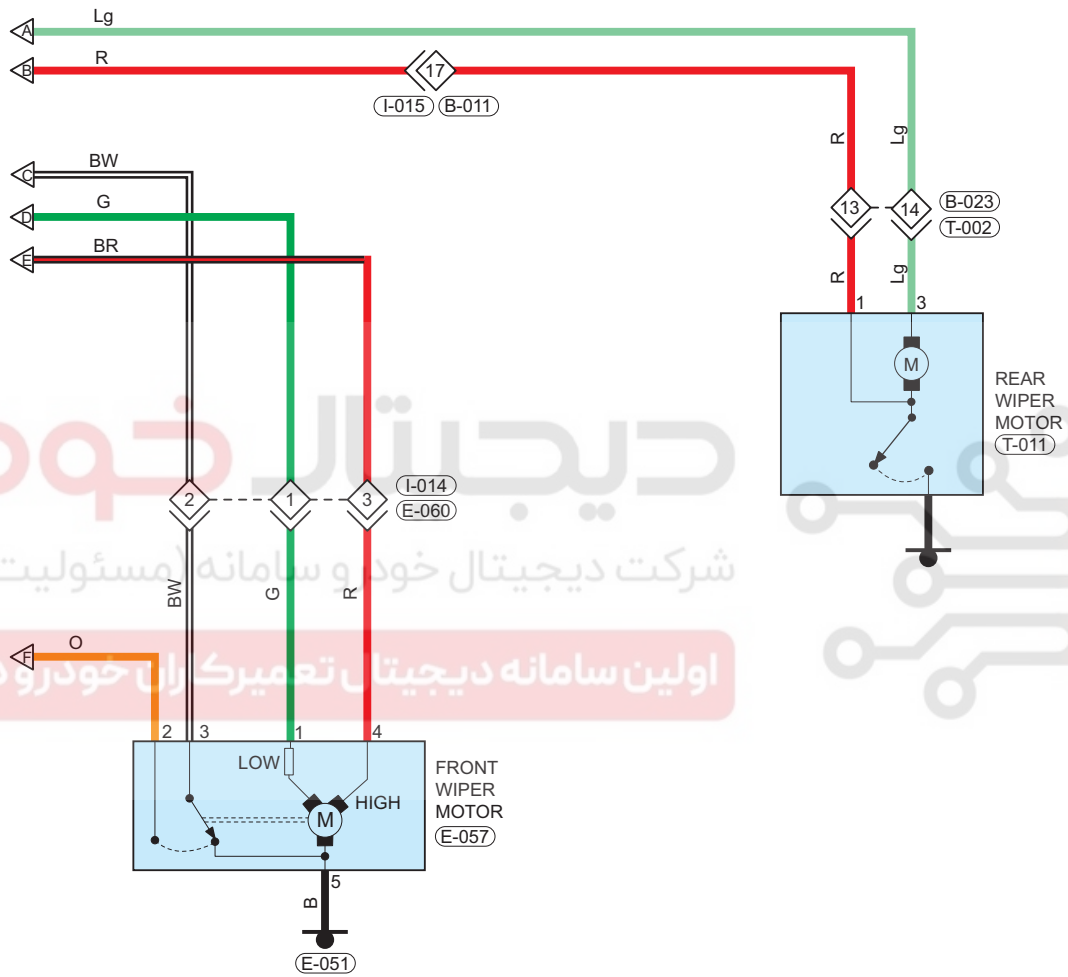
Location of Junction Connector

Connector Code	See Page	Connector Code	See Page	Connector Code	See Page
B-032, E-066	08-17, 08-4 (MT)	E-060, I-014	08-4, 08-12 (MT)	E-059, I-013	08-4, 08-12 (MT)
	08-17, 08-7 (CVT)		08-7, 08-12 (CVT)		08-7, 08-12 (CVT)

Form of Connector

Connector Code	See Page	Connector Code	See Page	Connector Code	See Page
I-009	12-8	B-010	12-13	E-058	12-4
E-014	12-2	E-015	12-2	I-045	12-10
I-031	12-10	B-032, E-066	12-14	E-060, I-014	12-4
E-059, I-013	12-4				

Circuit Diagram (Page 2 of 2)



09

ET11090580