

Repair Manual for Brilliance V5

Engine Suspension

دیجیتال خودرو

شرکت دیجیتال خودرو سامانه (مسئولیت محدود)

اولین سامانه دیجیتال تعمیرکاران خودرو در ایران



Contents

Chapter IV Suspension.....	1
Section I Suspension of Engine.....	1
Section II Suspension of Gearbox.....	2
Section III Suspension of Torque Arm.....	3

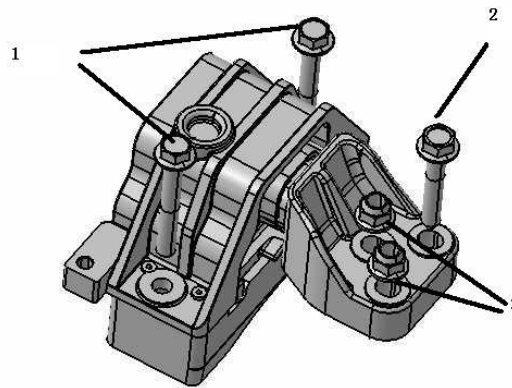
دیجیتال خودرو

شرکت دیجیتال خودرو سامانه (مسئولیت محدود)

اولین سامانه دیجیتال تعمیرکاران خودرو در ایران



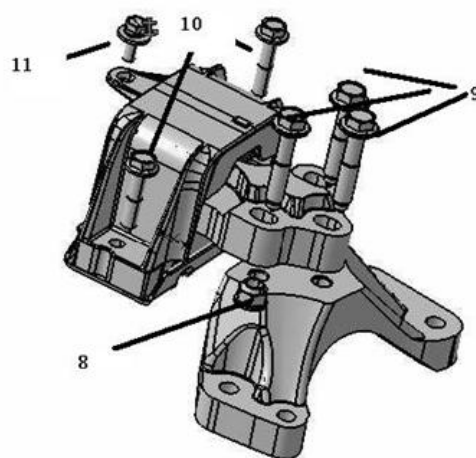
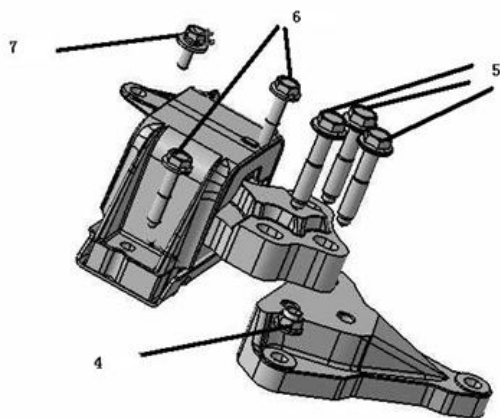
Section I Suspension of Engine



Installation position	Standard part	QTY.	Torque
Install engine suspension and car body (1)	Flange bolt M10*1.25*50	2	56-70
Install engine suspension and engine (2)	Flange bolt M10*1.25*60	1	56-66
Install engine suspension and engine (3)	Flange lock nut M10*1.25	2	56-66

اولین سامانه دیجیتال تعمیرکاران خودرو در ایران

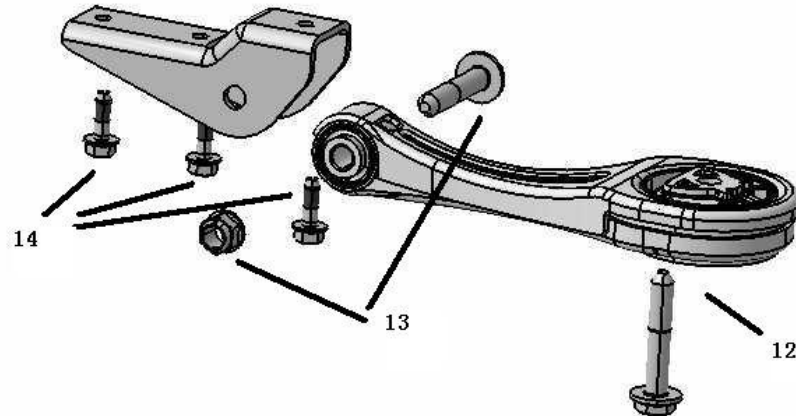
Section II Suspension of Gearbox



Installation position	Standard part	QTY.	Torque
Install gearbox suspension bracket and gearbox AT (4)	Flange lock nut M12*1.25	3	75-85
Install gearbox suspension assembly and connecting bracket (5)	Flange bolt M12*1.25*65	3	75-85
Install gearbox suspension assembly and car body (6)	Flange bolt M10*1.25*50	2	56-70
Install gearbox suspension assembly and car body (7)	Cage nut M8*1.25*25	1	30-41

Installation position	Standard part	QTY.	Torque
Install gearbox suspension bracket and gearbox MT (8)	Flange lock nut M12*1.25	4	75-85
Install gearbox suspension assembly and connecting bracket MT (9)	Flange bolt M12*1.25*65	3	75-85
Install gearbox suspension assembly and car body MT (10)	Flange bolt M10*1.25*50	2	56-70
Install gearbox suspension assembly and car body MT (11)	Cage nut M8*1.25*25	1	30-41

Section III Suspension of Torque Arm



Installation position	Standard part	QTY.	Torque
Install side torque arm bracket to gearbox (14)	Flange bolt M8*1.25*25	3	30-41
Install torque arm to auxiliary frame (12)	Flange bolt M12*1.25*65	1	90-110
Install torque arm to the side torque arm bracket of gearbox (13)	Flange bolt M12*1.25*70 Flange lock nut M12*1.25	1	90-110

اولین سامانه دیجیتال تعمیرکاران خودرو در ایران