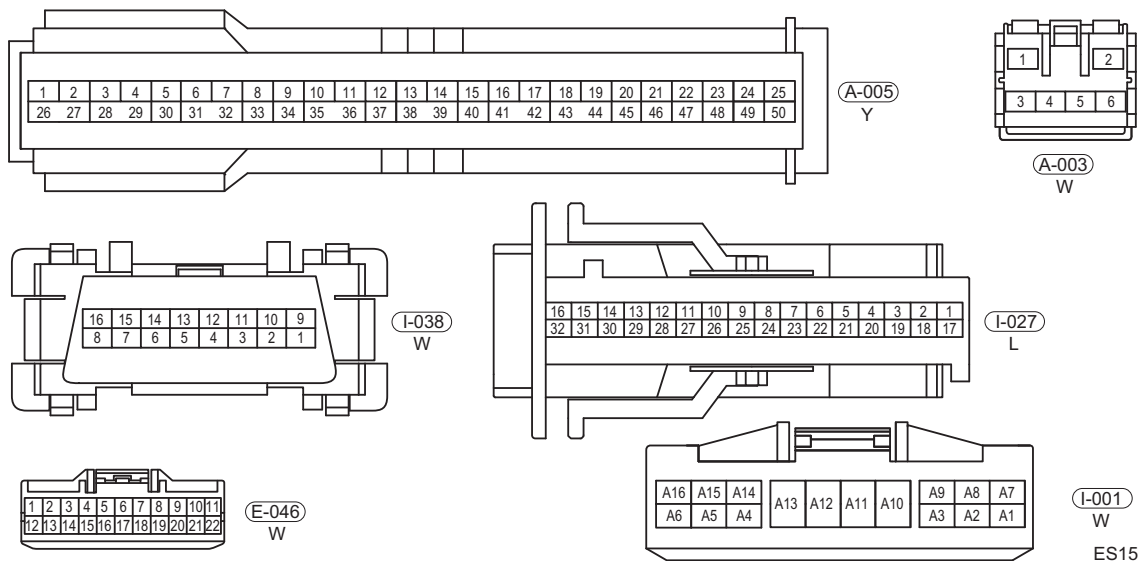
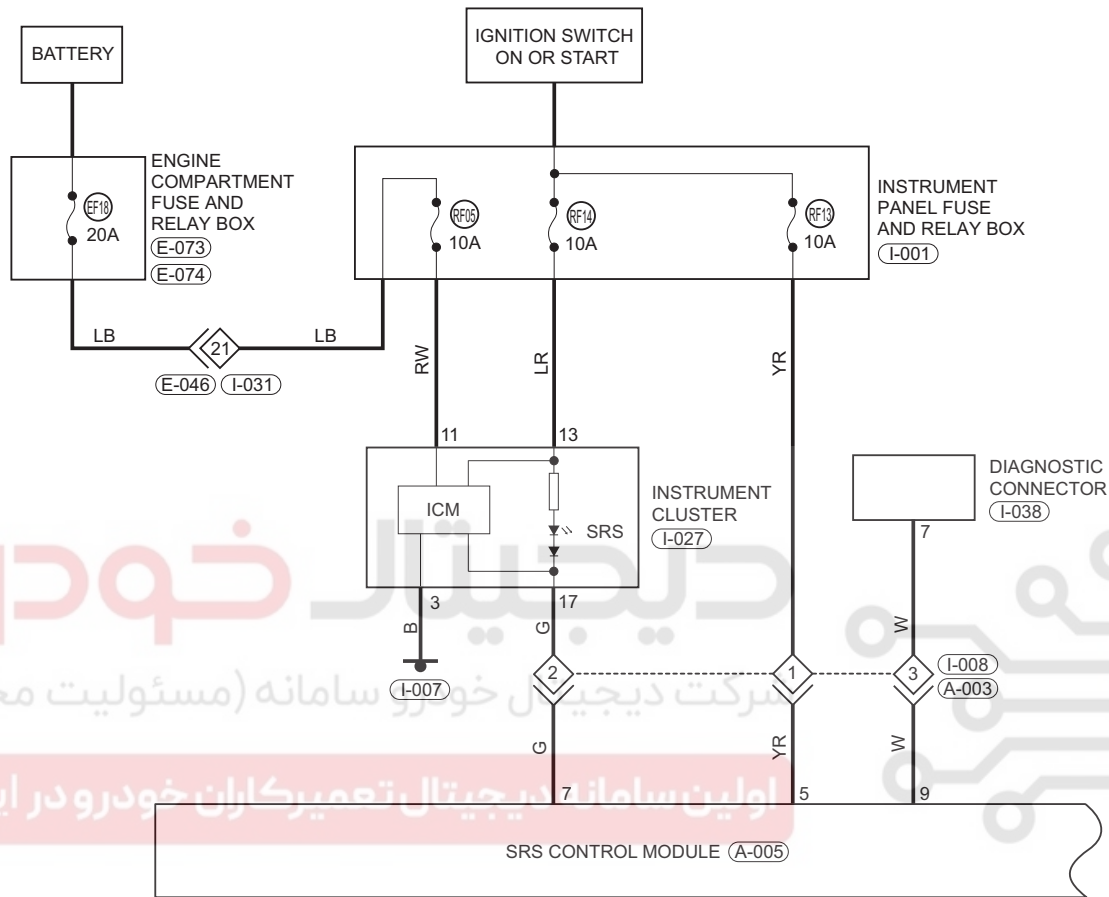


Circuit Diagram

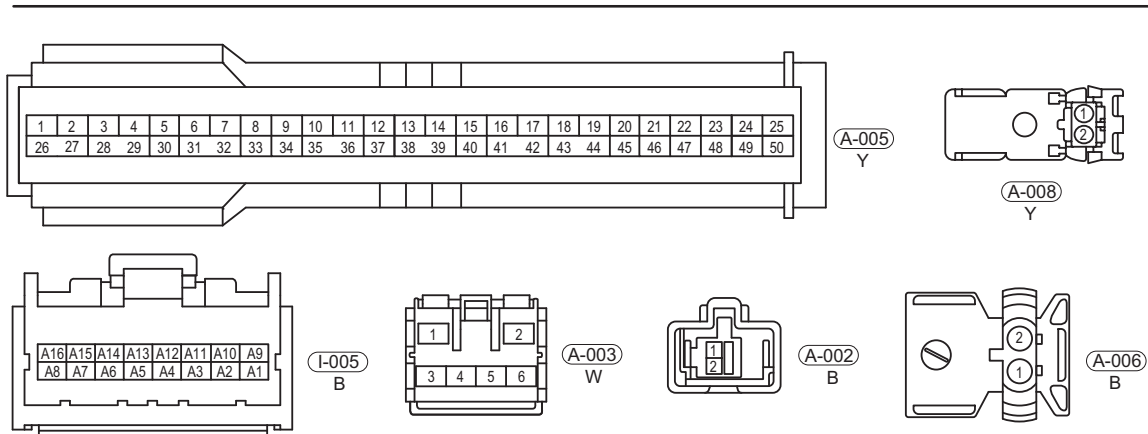
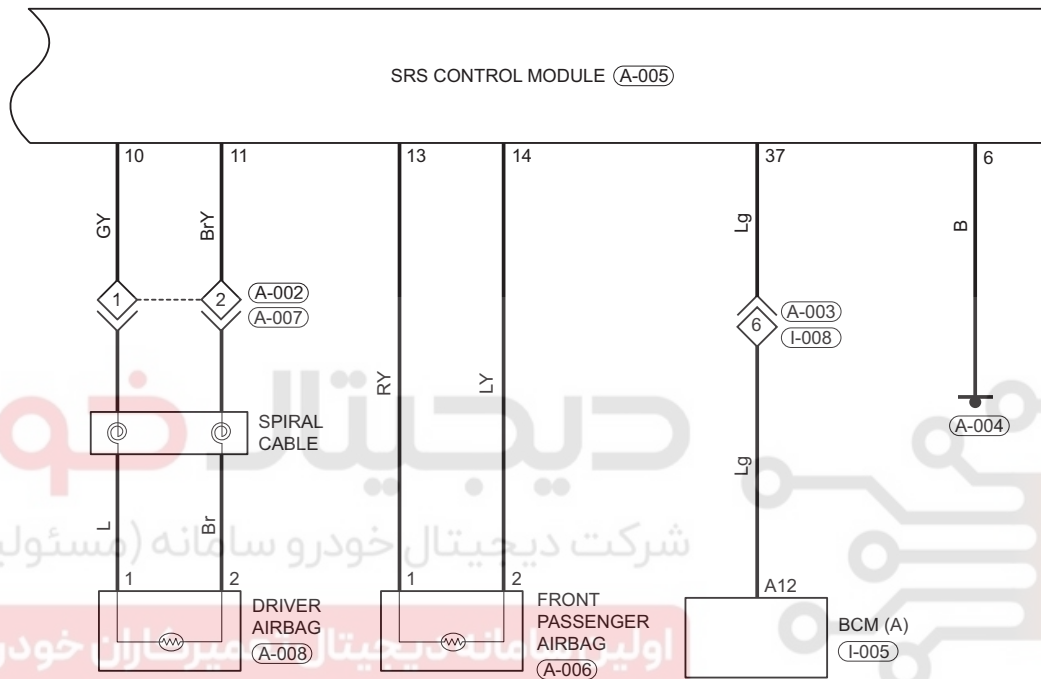
Supplemental Restraints System (Page 1 of 2)

30



ES15300010

Supplemental Restraints System (Page 2 of 2)



ES15300020