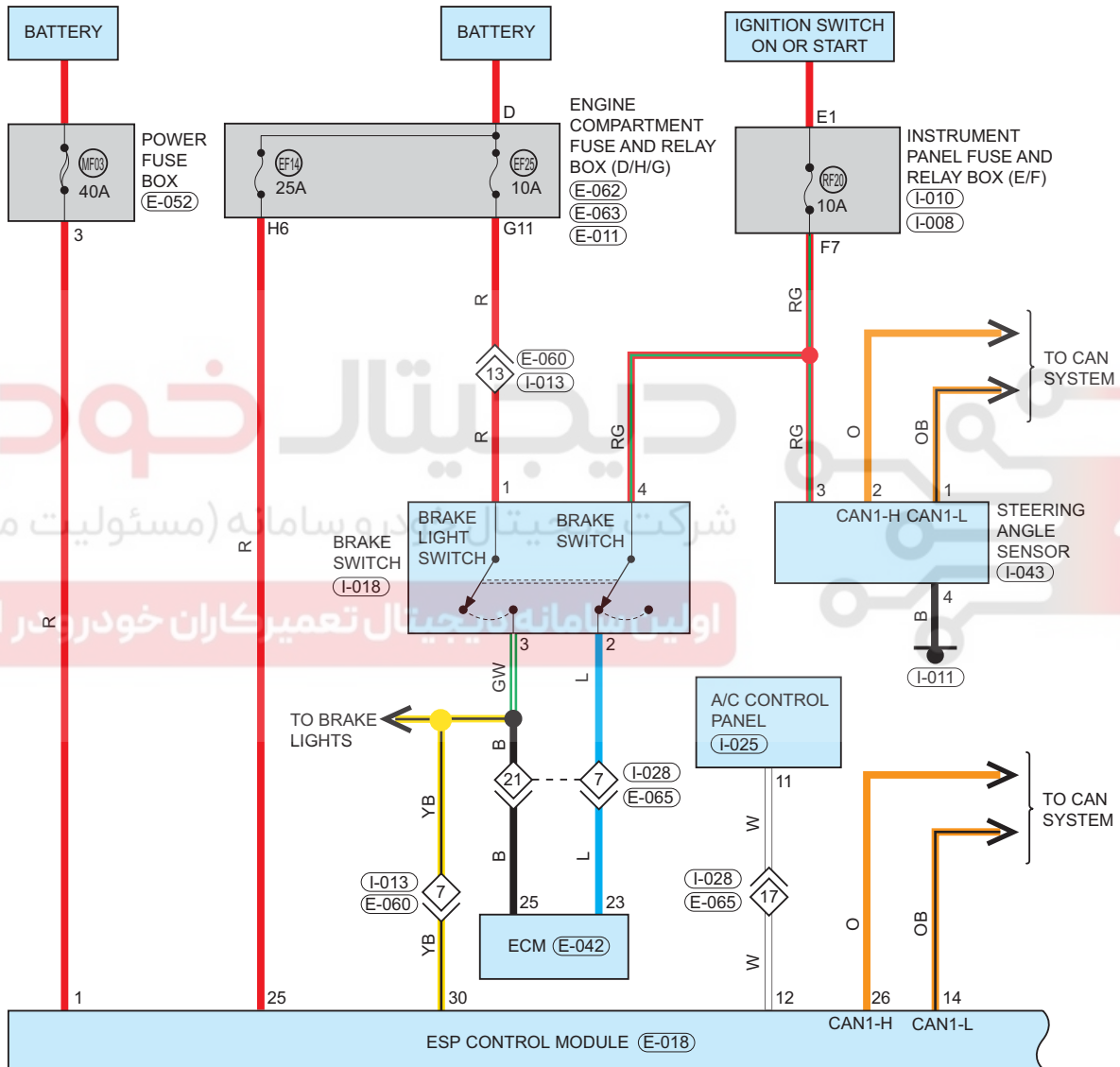


# Brake Control System

Circuit Diagram (Page 1 of 2)



09

**Parts Location**

Connector Code	See Page	Connector Code	See Page	Connector Code	See Page
E-052	08-3	E-062	08-3	E-063	08-3
E-011	08-3	I-010	08-9	I-008	08-9
I-018	08-9	I-043	08-9	I-011	08-9
I-025	08-9	E-042	08-3	E-018	08-3

**Fuse and Relay**

Fuse/Relay	See Page	Fuse and Relay Box
MF03	06-2	Power Fuse Box
EF14	06-4	Engine Compartment Fuse and Relay Box
EF25	06-4	Engine Compartment Fuse and Relay Box
RF20	06-15	Instrument Panel Fuse and Relay Box

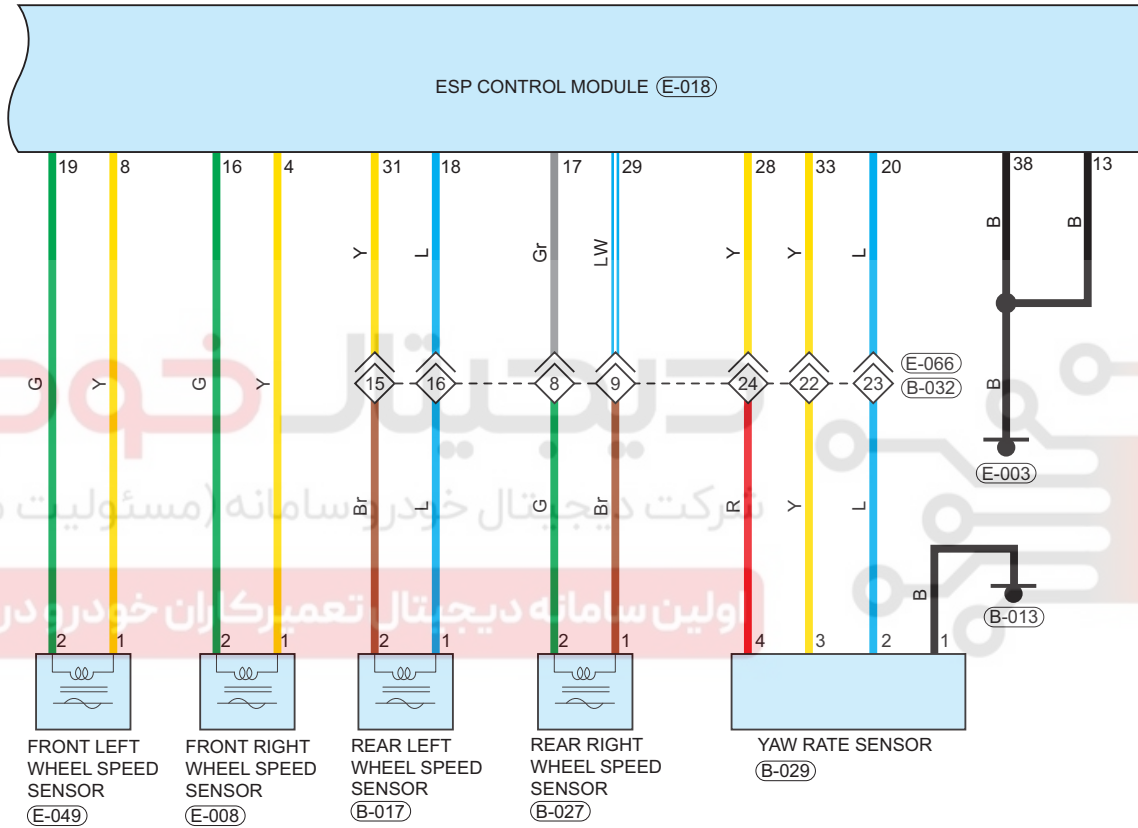
**Location of Junction Connector**

Connector Code	See Page	Connector Code	See Page	Connector Code	See Page
I-013, E-060	08-9, 08-3	I-028, E-065	08-9, 08-3		

**Form of Connector**

Connector Code	See Page	Connector Code	See Page	Connector Code	See Page
E-052	12-2	E-062	12-2	E-063	12-2
E-011	12-2	I-010	12-7	I-008	12-7
I-018	12-7	I-043	12-7	I-011	12-7
I-025	12-7	E-042	12-2	E-018	12-2
I-013, E-060	12-7, 12-2	I-028, E-065	12-7, 12-2		

Circuit Diagram (Page 2 of 2)



09

ET11091002