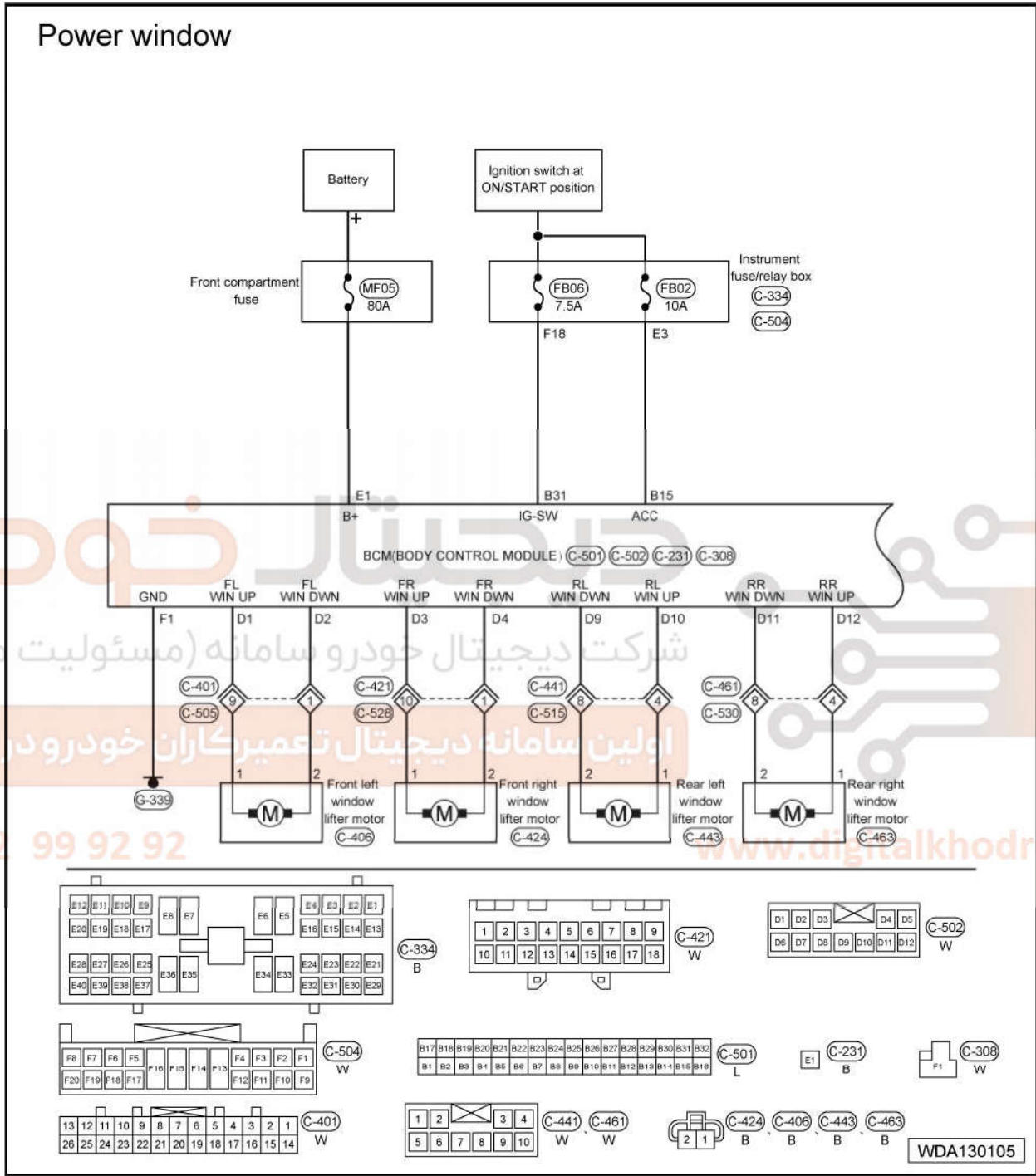
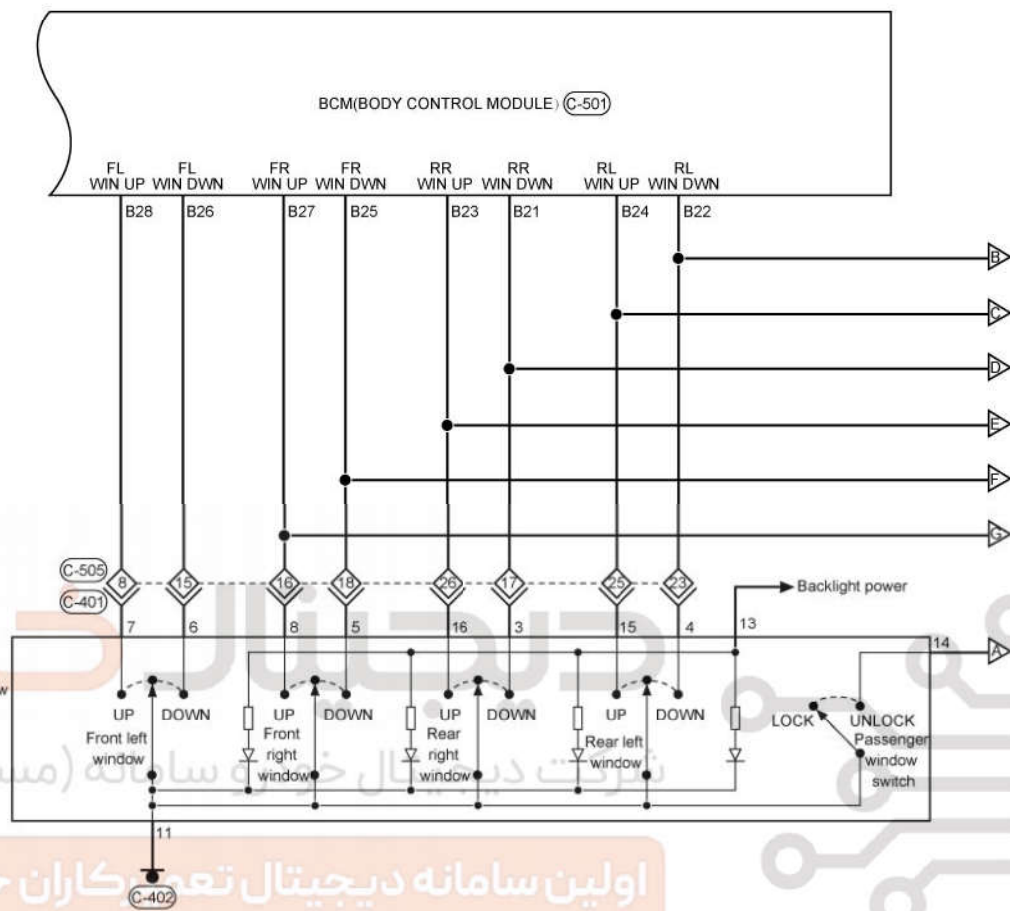


11.2 Circuit diagrams

Power windows (page 1)



Power window



9	10	11	12	13	14	15	16
1	2	3	4	5	6	7	8

C-405
BR

B17	B18	B19	B20	B21	B22	B23	B24	B25	B26	B27	B28	B29	B30	B31	B32
B1	B2	B3	B4	B5	B6	B7	B8	B9	B10	B11	B12	B13	B14	B15	B16

C-501
L

13	12	11	10	9	8	7	6	5	4	3	2	1
26	25	24	23	22	21	20	19	18	17	16	15	14

C-401
W

WDA130106

Power windows (page 3)

