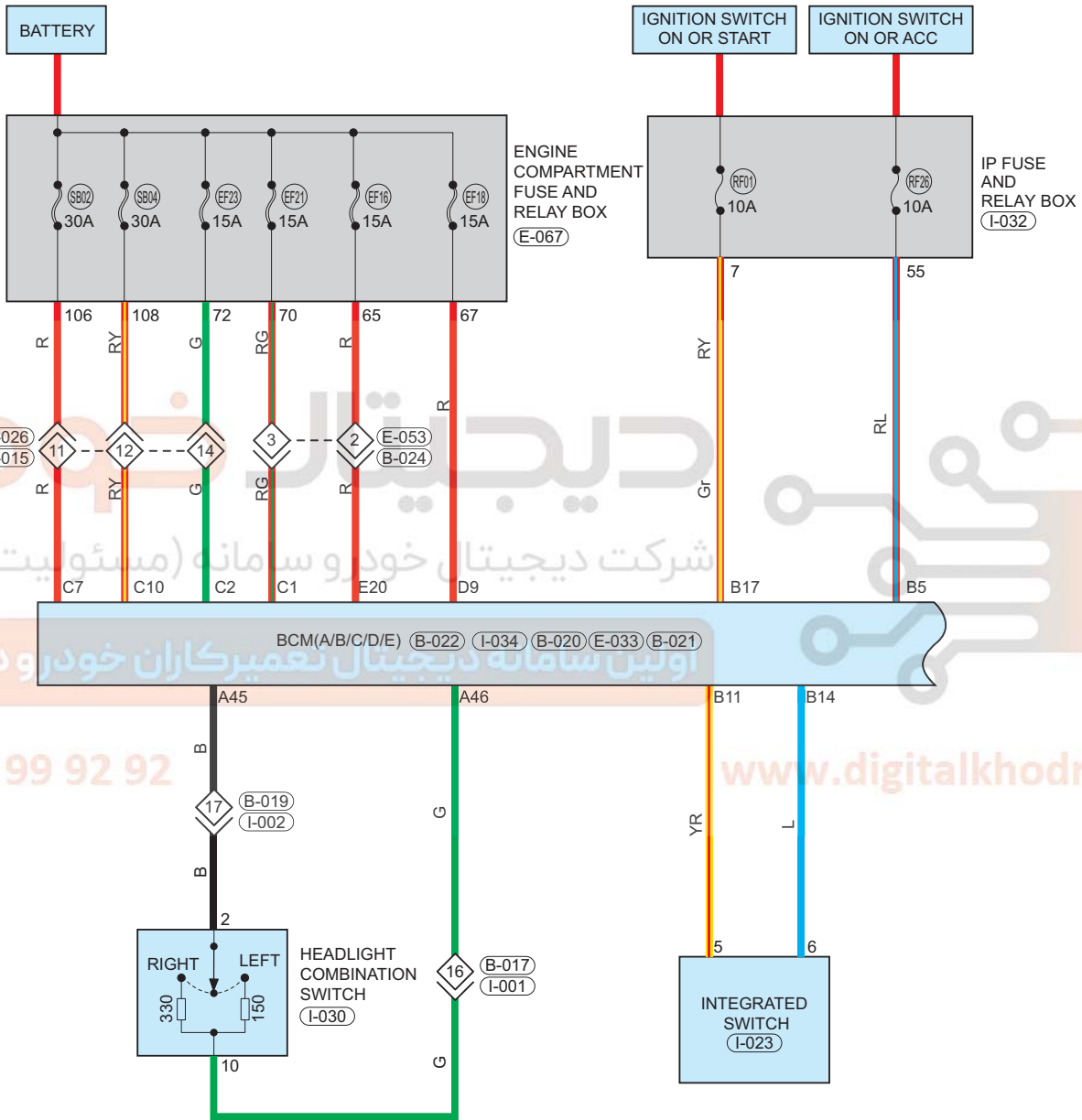


Turn Signal Light

Circuit Diagram (Page 1 of 2)



02 09

Parts Location

Connector Code	See Page	Connector Code	See Page	Connector Code	See Page
E-067	08-5 (MT) 08-7 (AT)	B-022	08-12	I-034	08-10
B-020	08-12	E-033	08-5 (MT) 08-7 (AT)	B-021	08-12
I-032	08-10	I-030	08-10	I-023	08-10

Fuse and Relay

Fuse/Relay	See Page	Fuse and Relay Box
RF01	06-10	IP Fuse and Relay Box
RF26	06-10	IP Fuse and Relay Box
EF16	06-2	Engine Compartment Fuse and Relay Box
EF18	06-2	Engine Compartment Fuse and Relay Box
EF21	06-2	Engine Compartment Fuse and Relay Box
EF23	06-2	Engine Compartment Fuse and Relay Box
SB02	06-2	Engine Compartment Fuse and Relay Box
SB04	06-2	Engine Compartment Fuse and Relay Box

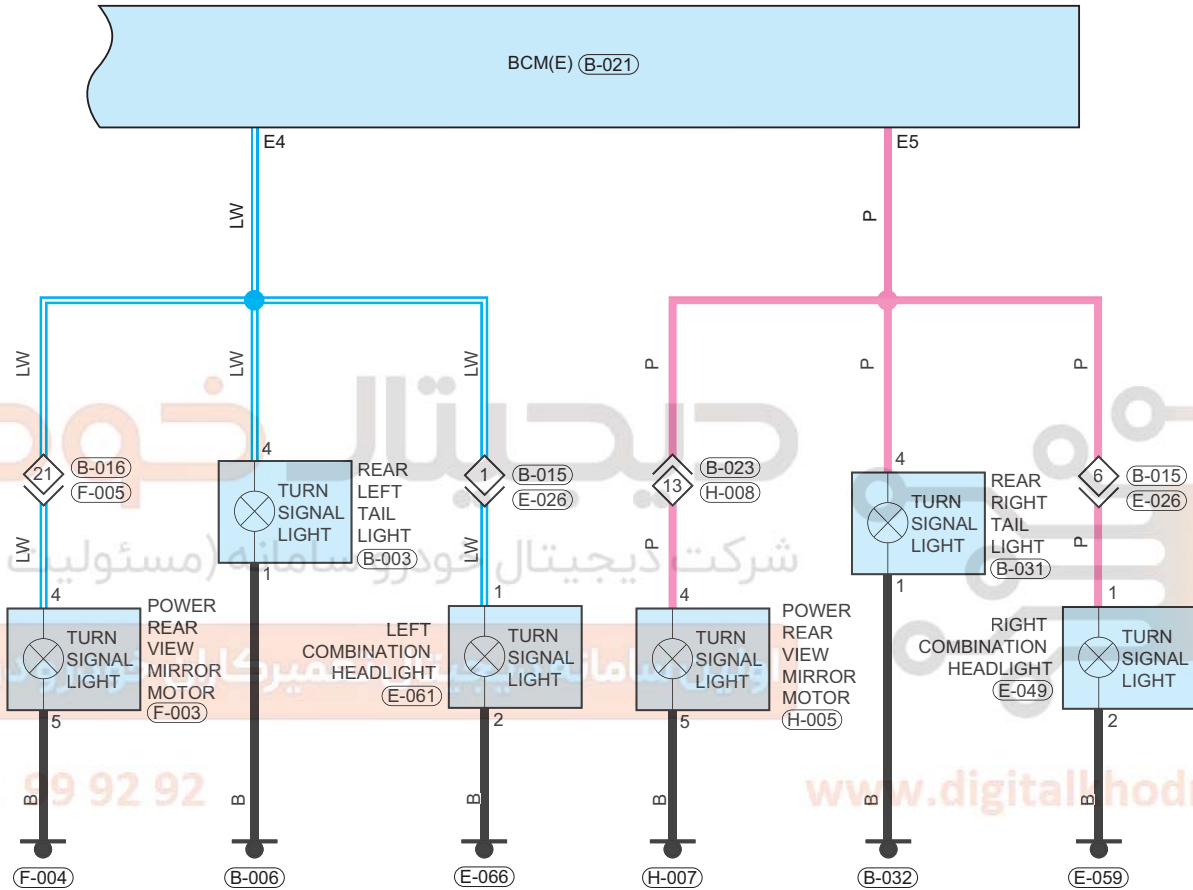
Location of Junction Connector

Connector Code	See Page	Connector Code	See Page	Connector Code	See Page
E-026, B-015	08-5, 08-12 (MT) 08-7, 08-12 (AT)	E-053, B-024	08-5, 08-12 (MT) 08-7, 08-12 (AT)	B-019, I-002	08-12, 08-10
B-017, I-001	08-12, 08-10				

Form of Connector

Connector Code	See Page	Connector Code	See Page	Connector Code	See Page
E-067	12-6	B-022	12-11	I-034	12-9
B-020	12-11	E-033	12-3	B-021	12-11
I-032	12-9	I-030	12-8	I-023	12-8
E-026, B-015	12-3	E-053, B-024	12-5	B-019, I-002	12-11
B-017, I-001	12-11				

Circuit Diagram (Page 2 of 2)



02 09

www.digitalkhodro.com

EA13T090450