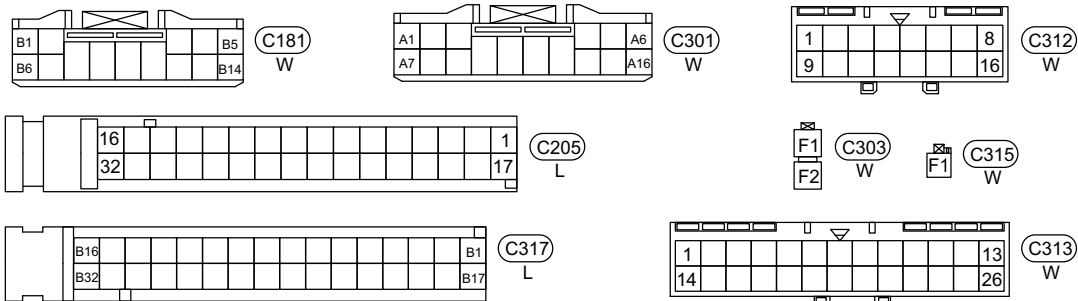
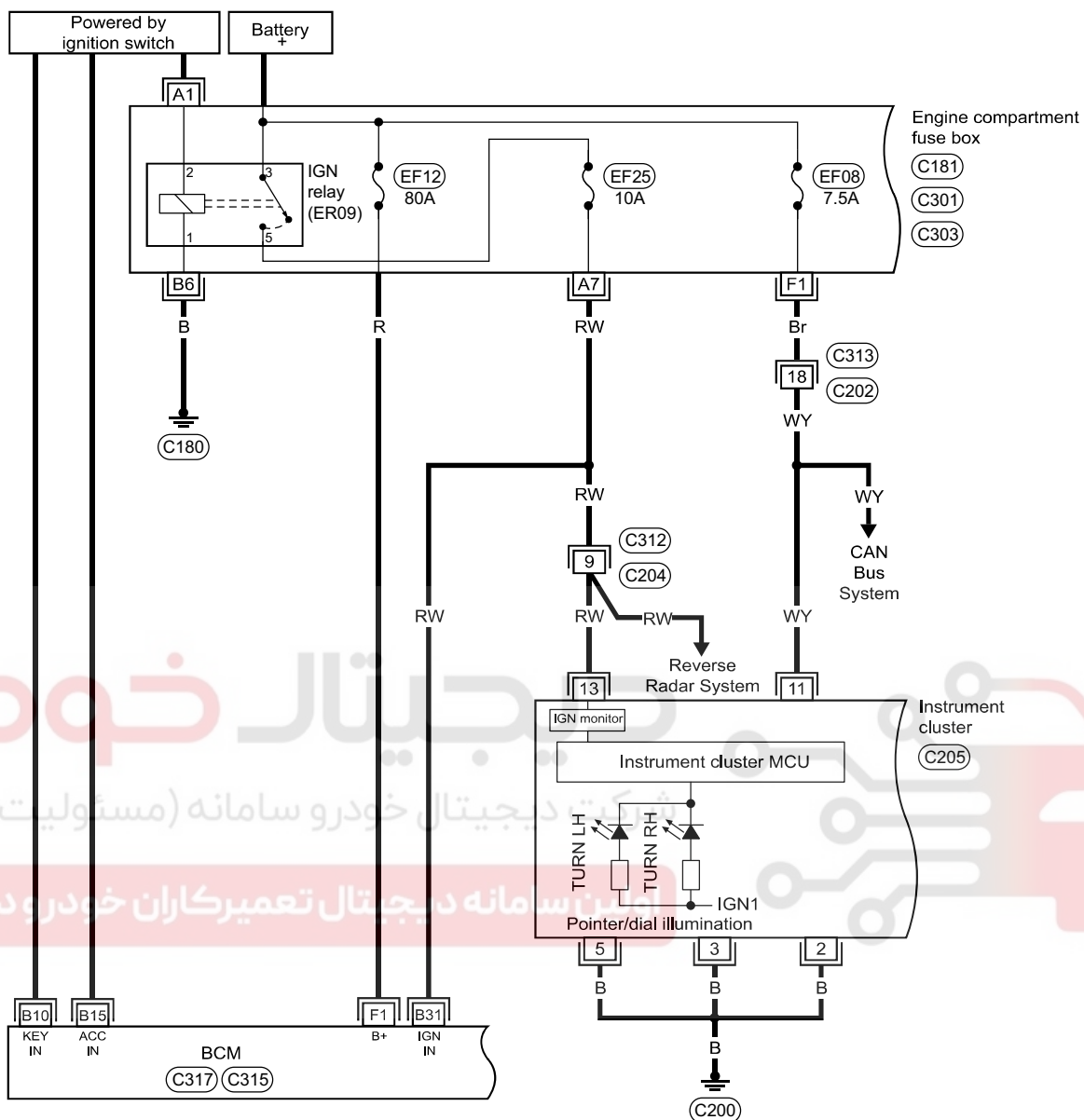


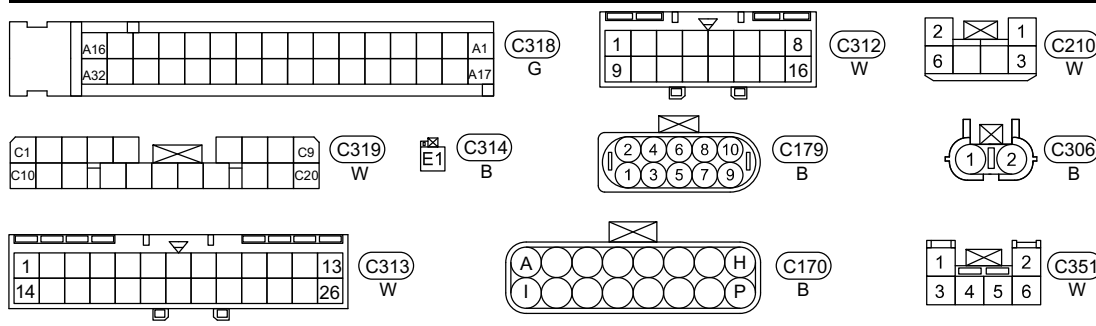
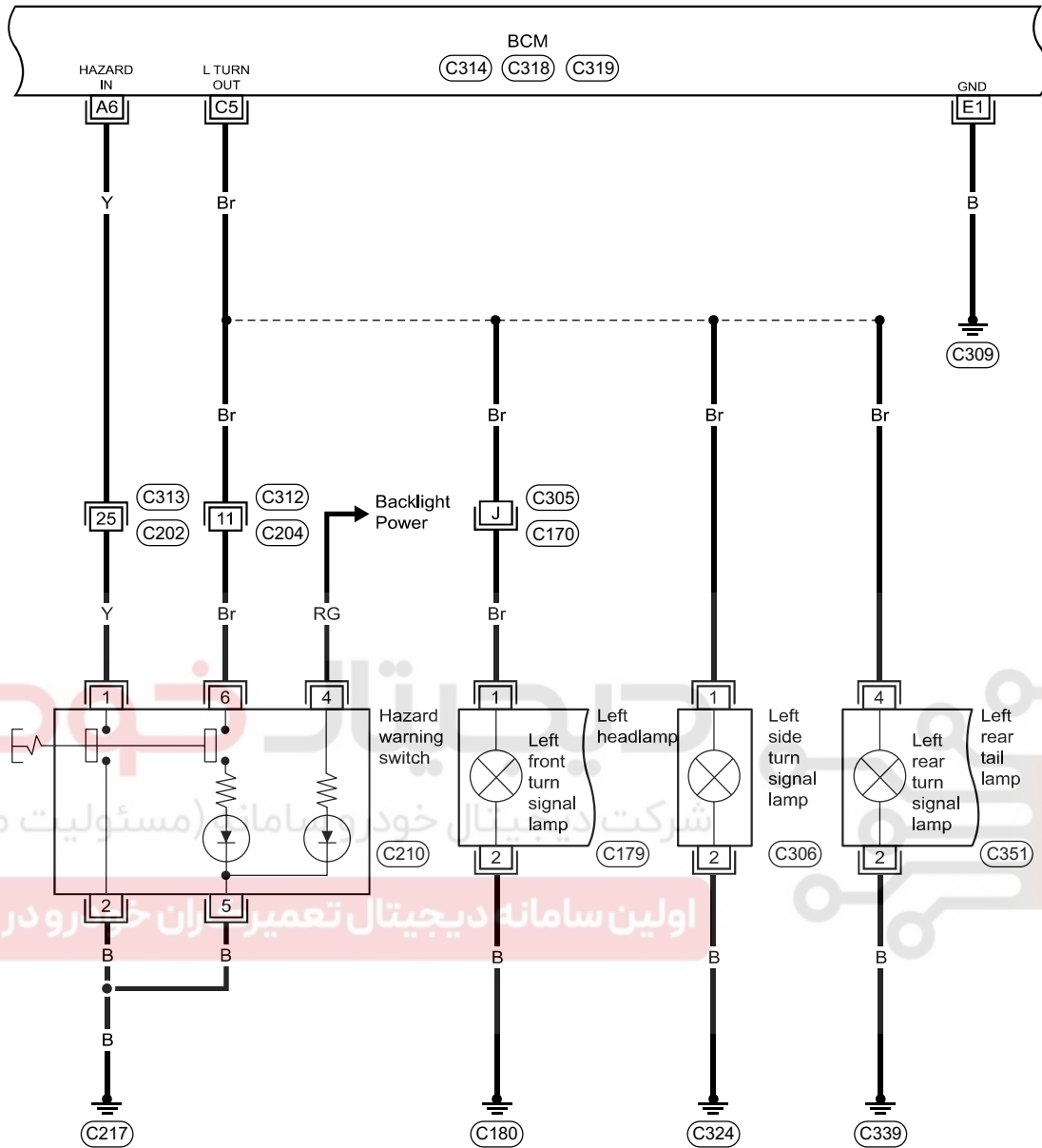
07 - Electrical Equipment

Turn Signal & Hazard Warning Lamps System (1)



CACE509-0055

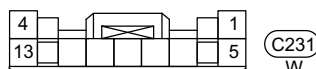
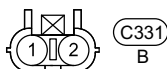
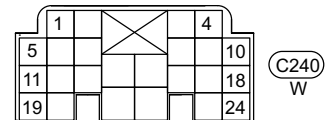
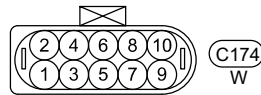
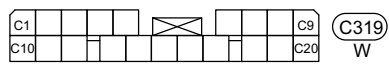
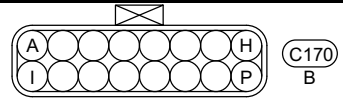
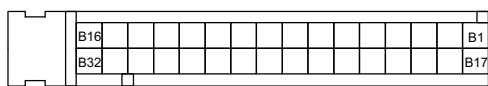
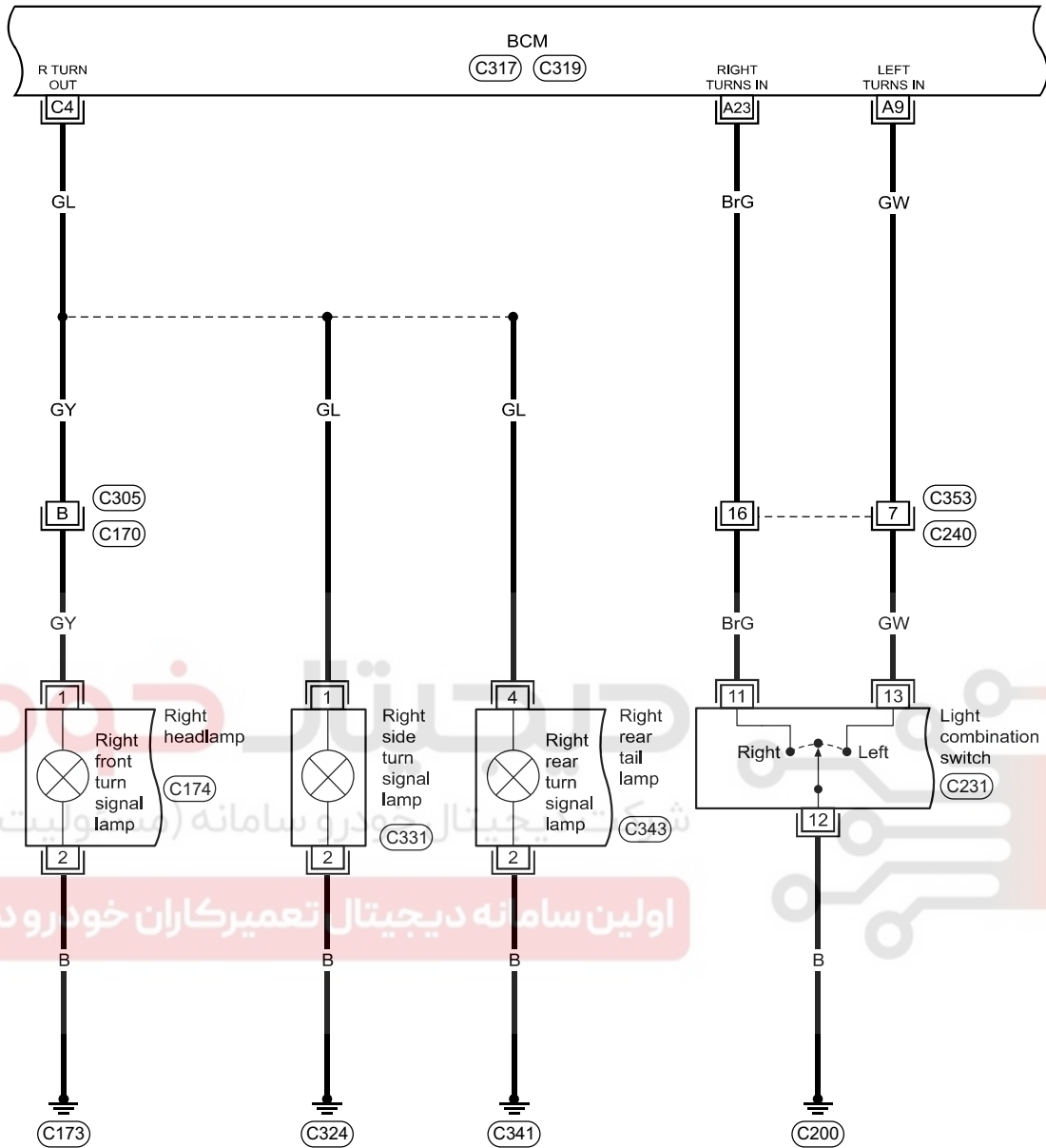
Turn Signal & Hazard Warning Lamps System (2)



CACE509-0056

07 - Electrical Equipment

Turn Signal & Hazard Warning Lamps System (3)



CACE509-0057