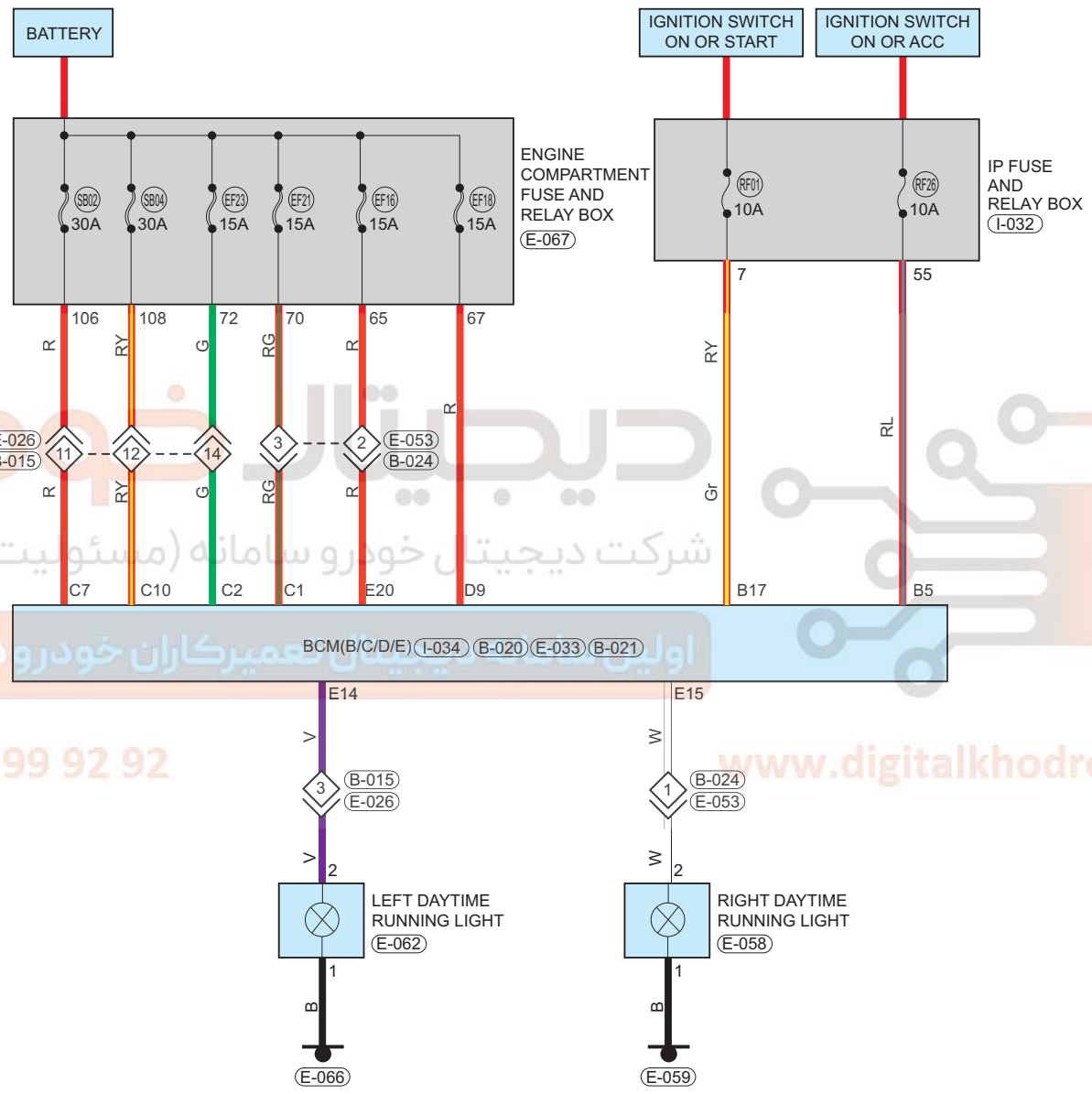


Daytime Running Light

Circuit Diagram (Page 1 of 1)



02 09 52 99 92 92