

INTERIOR

GENERAL INFORMATION	50-3	C-pillar Lower Protector Assembly	50-20
Description	50-3	Removal	50-20
Specifications	50-6	Installation	50-20
Tool	50-6	C-pillar Upper Protector Assembly	50-21
ON-VEHICLE SERVICE	50-7	Removal	50-21
Front Doorsill Pressure Plate Assembly	50-7	Installation	50-22
Removal	50-7	Sun Visor Assembly	50-23
Installation	50-7	Removal	50-23
Rear Doorsill Pressure Plate Assembly	50-8	Installation	50-23
Removal	50-8	Passenger Grip Assembly	50-24
Installation	50-9	Removal	50-24
Luggage Compartment Doorsill Pressure Plate Assembly	50-10	Installation	50-24
Removal	50-10	Roof Assembly	50-25
Installation	50-10	Removal	50-25
Front Door Opening Weatherstrip	50-11	Installation	50-26
Removal	50-11	Front Floor Carpet Assembly	50-27
Installation	50-11	Removal	50-27
Rear Door Opening Weatherstrip	50-12	Installation	50-28
Removal	50-12	Driver Side Foot Rest Bracket	50-29
Installation	50-12	Removal	50-29
Luggage Compartment Weatherstrip	50-13	Installation	50-29
Removal	50-13	Luggage Compartment Carpet Assembly	50-30
Installation	50-13	Removal	50-30
A-pillar Upper Protector Assembly	50-14	Installation	50-30
Removal	50-14	Tonneau Cover Assembly	50-31
Installation	50-14	Removal	50-31
A-pillar Lower Protector Assembly	50-15	Installation	50-31
Removal	50-15	Luggage Compartment Wheel House Assembly	50-32
Installation	50-16	Removal	50-32
B-pillar Lower Protector Assembly	50-17	Installation	50-32
Removal	50-17	Fuel Filler Door Cable Assembly	50-33
Installation	50-17	Removal	50-33
B-pillar Upper Protector Assembly	50-18	Installation	50-34
Removal	50-18		
Installation	50-19		

دیجیتال خودرو

شرکت دیجیتال خودرو سامانه (مسئولیت محدود)

اولین سامانه دیجیتال تعمیرکاران خودرو در ایران

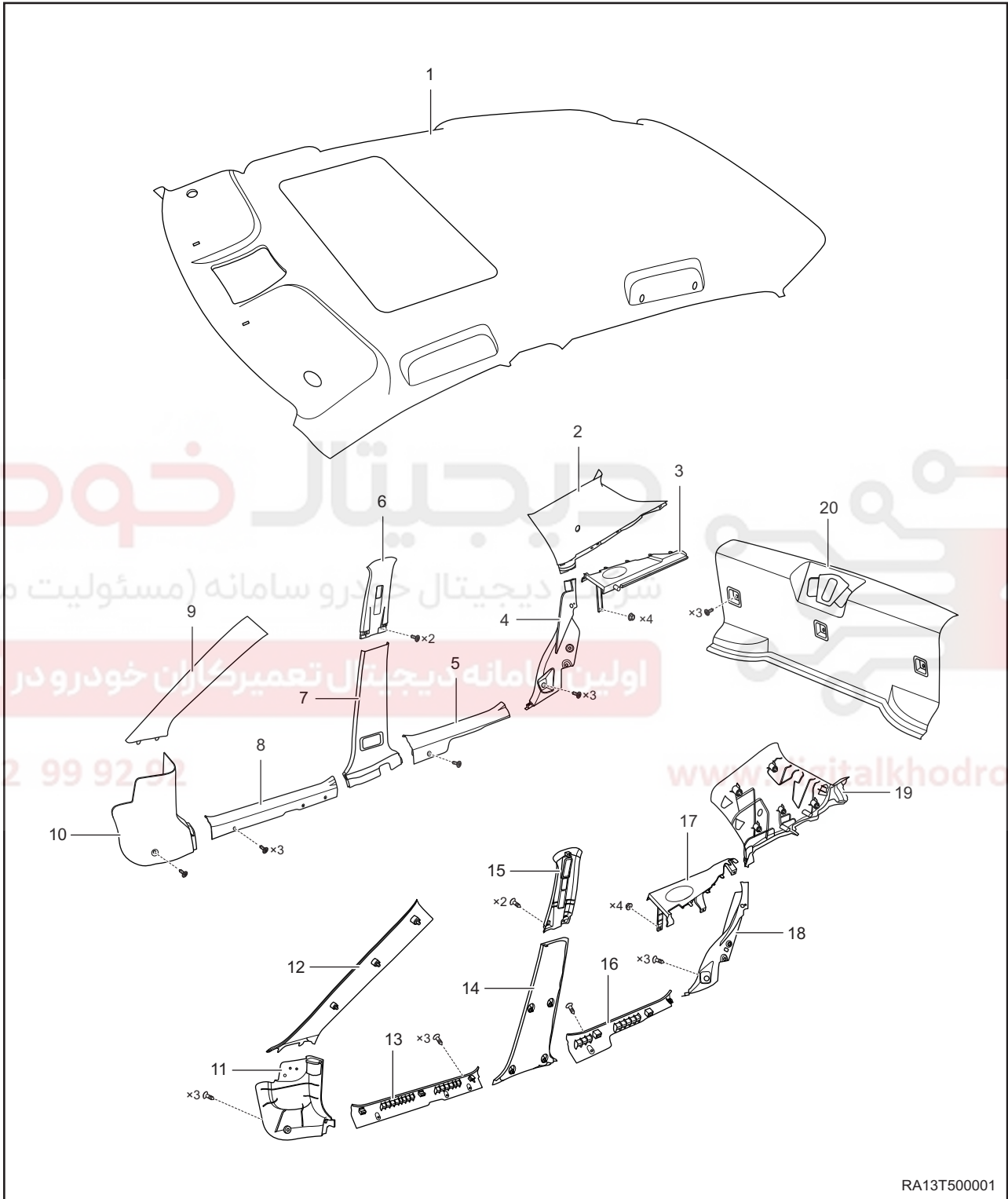


021 62 99 92 92

www.digitalkhodro.com

GENERAL INFORMATION

Description

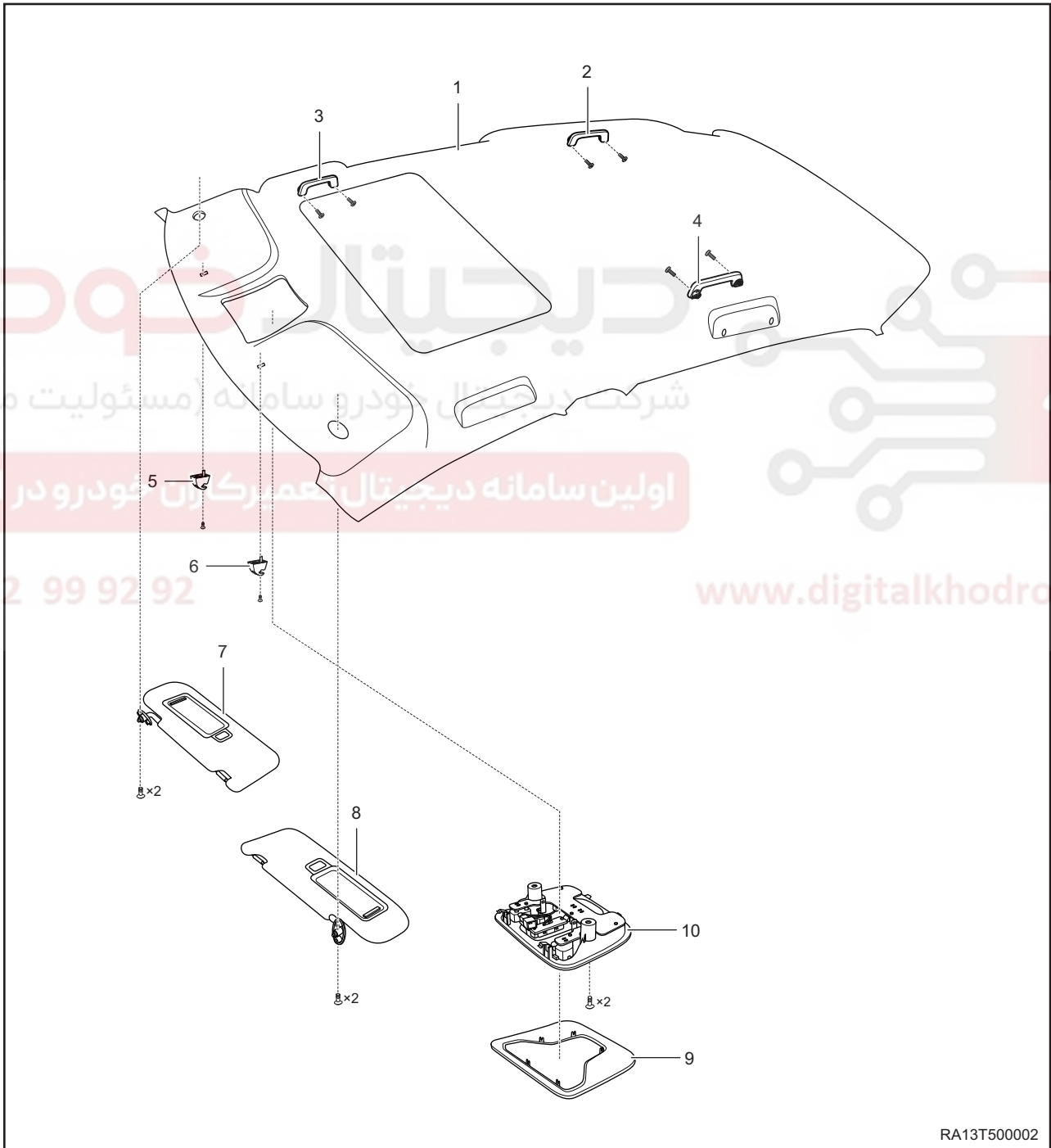


RA13T500001

1 - Roof Assembly	2 - Right C-pillar Upper Protector Assembly
3 - Rear Right Speaker Cover Assembly	4 - Right C-pillar Lower Protector Assembly

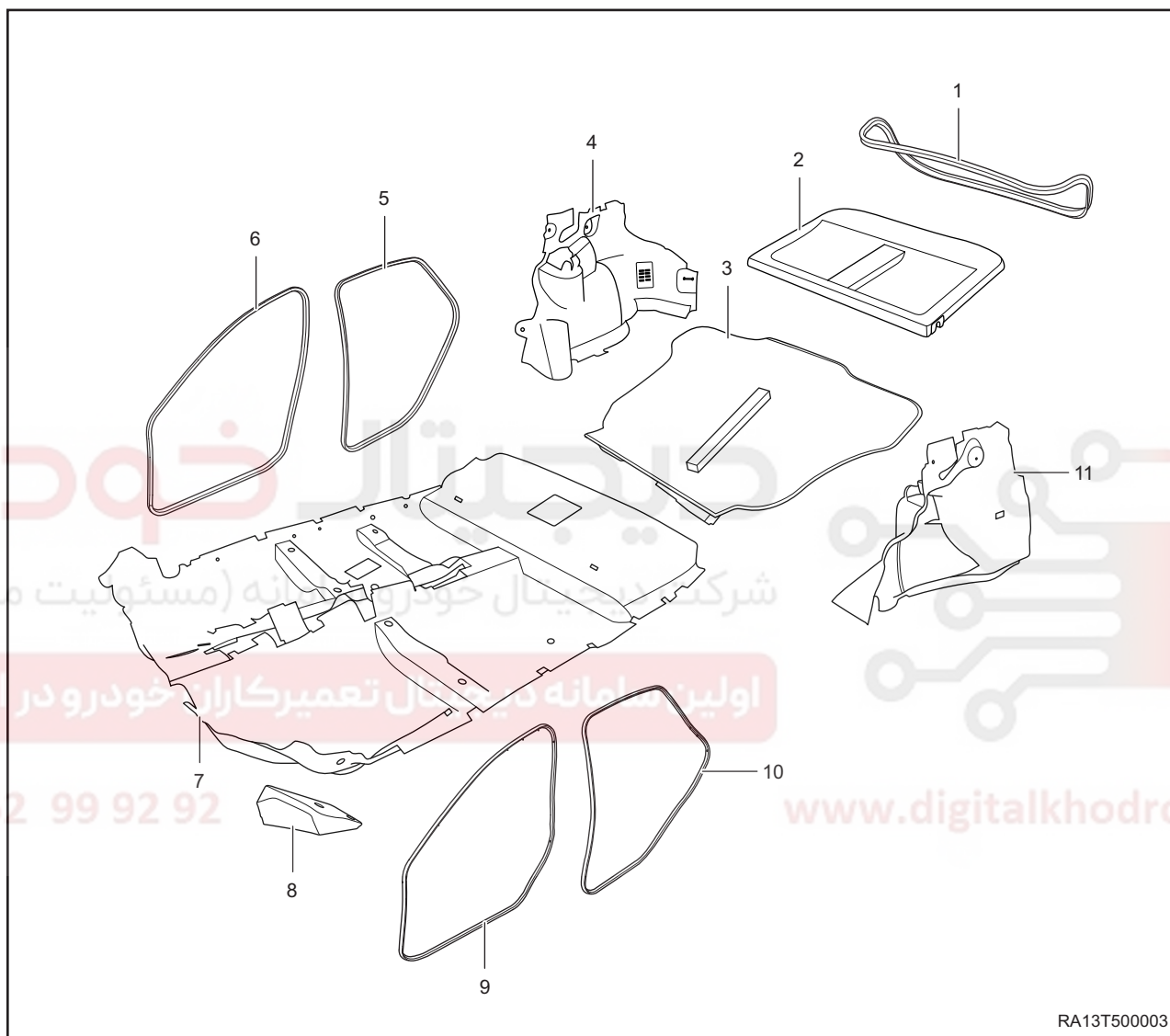
50 - INTERIOR

5 - Rear Right Doorsill Pressure Plate Assembly	6 - Right B-pillar Upper Protector Assembly
7 - Right B-pillar Lower Protector Assembly	8 - Front Right Doorsill Pressure Plate Assembly
9 - Right A-pillar Upper Protector Assembly	10 - Right A-pillar Lower Protector Assembly
11 - Left A-pillar Lower Protector Assembly	12 - Left A-pillar Upper Protector Assembly
13 - Front Left Doorsill Pressure Plate Assembly	14 - Left B-pillar Lower Protector Assembly
15 - Left B-pillar Upper Protector Assembly	16 - Rear Left Doorsill Pressure Plate Assembly
17 - Rear Left Speaker Cover Assembly	18 - Left C-pillar Lower Protector Assembly
19 - Left C-pillar Upper Protector Assembly	20 - Luggage Compartment Rear Trim Board Assembly



دیجیتال خودرو (مستولیت محدود)
 شرکت دیجیتال خودرو سامانه (مستولیت محدود)
 اولین سامانه دیجیتال تعمیرکاران خودرو در ایران
 www.digitalkhodro.com

1 - Roof Assembly	2 - Rear Right Passenger Grip Assembly
3 - Front Right Passenger Grip Assembly	4 - Rear Left Passenger Grip Assembly
5 - Right Sun Visor Holder	6 - Left Sun Visor Holder
7 - Right Sun Visor Assembly	8 - Left Sun Visor Assembly
9 - Interior Front Dome Light Cover	10 - Interior Front Dome Light Assembly



1 - Luggage Compartment Weatherstrip	2 - Tonneau Cover Assembly
3 - Luggage Compartment Carpet Assembly	4 - Right Luggage Compartment Wheel House Assembly
5 - Rear Right Door Opening Weatherstrip	6 - Front Right Door Opening Weatherstrip
7 - Front Floor Carpet Assembly	8 - Driver Side Foot Rest Bracket
9 - Front Left Door Opening Weatherstrip	10 - Rear Left Door Opening Weatherstrip
11 - Left Luggage Compartment Wheel House Assembly	

50 - INTERIOR

The interior consists of following parts: roof assembly, doorsill pressure plate assembly, sun visor assembly, door opening weatherstrip, passenger grip assembly, pillar protector assembly, luggage compartment wheel house assembly, tonneau cover assembly and carpet assembly, etc.

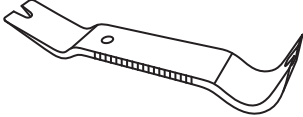
Specifications

Torque Specifications

Description	Torque (N·m)
Rear Doorsill Pressure Plate Assembly Fixing Screw	1.5 ± 0.5
Rear Doorsill Pressure Plate Assembly Fixing Nut	1.5 ± 0.5
Luggage Compartment Doorsill Pressure Plate Assembly Fixing Screw	1.5 ± 0.5
A-pillar Upper Protector Assembly Fixing Screw	3 ± 0.5
Hood Grip Fixing Screw	1.5 ± 1
A-pillar Lower Protector Assembly Fixing Screw	1.5 ± 0.5
B-pillar Lower Protector Assembly Fixing Screw	1.5 ± 0.5
Front Seat Belt Assembly Lower Fixing Bolt	50 ± 5
B-pillar Upper Protector Assembly Fixing Screw	1.5 ± 0.5
C-pillar Upper Protector Assembly Fixing Screw	3 ± 0.5
Sun Visor Assembly Fixing Screw	9 ± 1
Sun Visor Holder B Fixing Screw	5 ± 1
Passenger Grip Assembly Fixing Screw	4 ± 1
Interior Front Dome Light Assembly Fixing Screw	2.5 ± 0.5
Front Floor Carpet Assembly Fixing Nut	5 ± 1
Driver Side Foot Rest Bracket Fixing Nut	5 ± 1
High Mounted Stop Light Assembly Fixing Screw	1.5 ± 0.5
Fuel Tank Cap Opener Assembly Fixing Screw	4 ± 1

Tool

Special Tool

Interior Crow Plate	 <p>RCH0000025</p>
---------------------	--

ON-VEHICLE SERVICE

Front Doorsill Pressure Plate Assembly

Removal

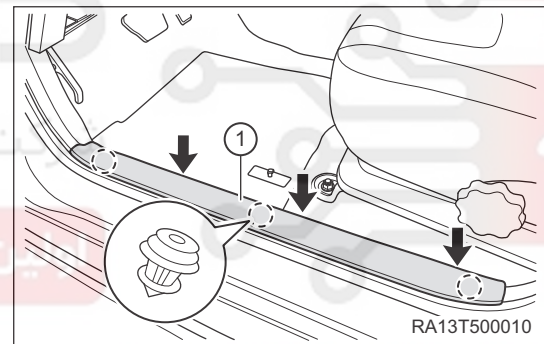
HINT:

Use same procedures for right and left sides.
Procedures listed below are for left side.

CAUTION

- Be sure to wear safety equipment to prevent accidents, when removing front doorsill pressure plate assembly.
- Appropriate force should be applied, when removing front doorsill pressure plate assembly. Be careful not to operate roughly.
- Prevent interior and body paint from being scratched, when removing front doorsill pressure plate assembly.

1. Remove the front left doorsill pressure plate assembly.
 - a. Remove 3 fixing screws (arrow) from front left doorsill pressure plate assembly.
 - b. Using an interior crow plate, pry off 3 clips from front left doorsill pressure plate assembly and remove the front left doorsill pressure plate assembly (1).



Installation

Installation is in the reverse order of removal.

CAUTION

- Replace damaged clips and install front doorsill pressure plate assembly in place, when installing front doorsill pressure plate assembly.
- Make sure that front doorsill pressure plate assembly is well fitted with B-pillar lower protector assembly and A-pillar lower protector assembly, after installing front doorsill pressure plate assembly.

Rear Doorsill Pressure Plate Assembly

Removal

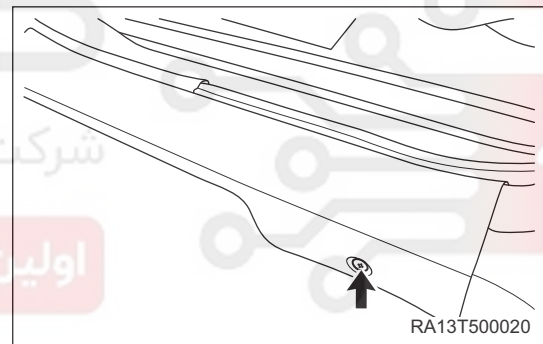
HINT:

Use same procedures for right and left sides.
Procedures listed below are for left side.

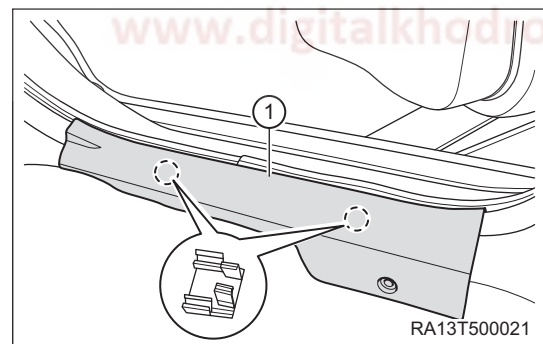
CAUTION

- Be sure to wear safety equipment to prevent accidents, when removing rear doorsill pressure plate assembly.
- Appropriate force should be applied, when removing rear doorsill pressure plate assembly. Be careful not to operate roughly.
- Prevent interior and body paint from being scratched, when removing rear doorsill pressure plate assembly.

1. Remove the rear seat cushion assembly (See page 47-15).
2. Remove the rear left door opening weatherstrip (See page 50-11).
3. Remove the rear left doorsill pressure plate assembly.
 - a. Remove the fixing screw (arrow) from rear doorsill pressure plate assembly.
(Tightening torque: $1.5 \pm 0.5 \text{ N}\cdot\text{m}$)



- b. Using an interior crow plate, pry off 3 clips from rear left doorsill pressure plate assembly and remove the rear left doorsill pressure plate assembly (1).



Installation

Installation is in the reverse order of removal.

CAUTION

- Replace damaged clips and install rear doorsill pressure plate assembly in place, when installing rear doorsill pressure plate assembly.
- Make sure that rear doorsill pressure plate assembly is well fitted with B-pillar lower protector assembly and C-pillar lower protector assembly, after installing rear doorsill pressure plate assembly.

دیجیتال خودرو

شرکت دیجیتال خودرو سامانه (مسئولیت محدود)

اولین سامانه دیجیتال تعمیرکاران خودرو در ایران



www.digitalkhodro.com

021 62 99 92 92

Luggage Compartment Doorsill Pressure Plate Assembly

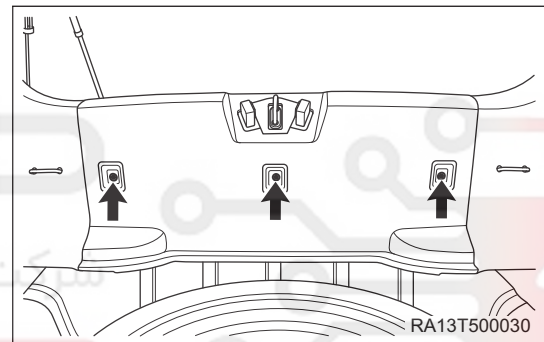
Removal

CAUTION

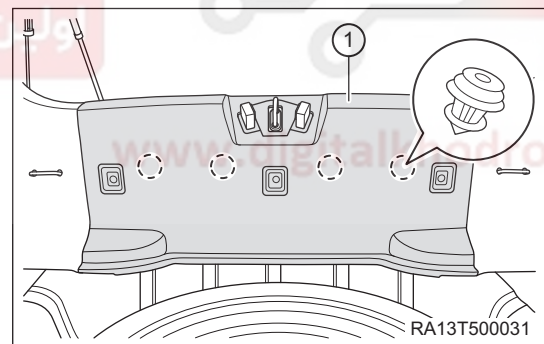
- Be sure to wear safety equipment to prevent accidents, when removing luggage compartment doorsill pressure plate assembly.
- Appropriate force should be applied, when removing luggage compartment doorsill pressure plate assembly. Be careful not to operate roughly.
- Try to prevent interior and body paint from being scratched, when removing luggage compartment doorsill pressure plate assembly.

1. Remove the luggage compartment weatherstrip (See page 50-13).
2. Remove the luggage compartment carpet assembly (See page 50-30).
3. Remove the luggage compartment doorsill pressure plate assembly.

- a. Remove 3 fixing screws (arrow) from luggage compartment doorsill pressure plate assembly.
(Tightening torque: $1.5 \pm 0.5 \text{ N}\cdot\text{m}$)



- b. Using an interior crow plate, pry off the clips from luggage compartment doorsill pressure plate assembly and remove the luggage compartment doorsill pressure plate assembly (1).



Installation

Installation is in the reverse order of removal.

CAUTION

- Replace damaged clips and install luggage compartment doorsill pressure plate assembly in place, when installing luggage compartment doorsill pressure plate assembly.

Front Door Opening Weatherstrip

Removal

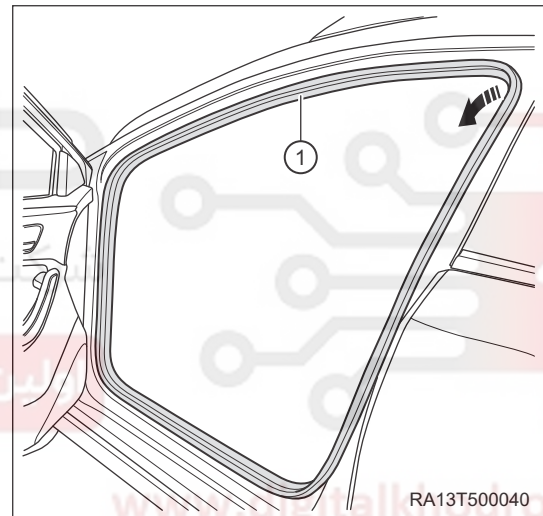
HINT:

Use same procedures for right and left sides.
Procedures listed below are for left side.

CAUTION

- Be sure to wear safety equipment to prevent accidents, when removing front door opening weatherstrip.
- Appropriate force should be applied when removing front door opening weatherstrip. Be careful not to operate roughly.
- Try to prevent front door opening weatherstrip from being damaged, when removing front door opening weatherstrip.

1. Remove the front left door opening weatherstrip.
 - a. Remove the front left doorsill pressure plate assembly (See page 50-7).
 - b. Remove the front left door opening weatherstrip (1) by gently pulling it along edges from one corner of front door opening weatherstrip.



Installation

Installation is in the reverse order of removal.

CAUTION

- Front door opening weatherstrip and body should be fitted with a certain amount of clamping force and the weatherstrip should not fall off easily, when installing front door opening weatherstrip.
- When installing front door opening weatherstrip, tap all around uniformly with a rubber hammer to install it in place. The surface of weatherstrip should have no defects, such as tapped dents, deformation and warpage after installation.
- After installing front door opening weatherstrip, do not remove or install it unless it is necessary. Otherwise the weatherstrip holding force of installation may be reduced.

Rear Door Opening Weatherstrip

Removal

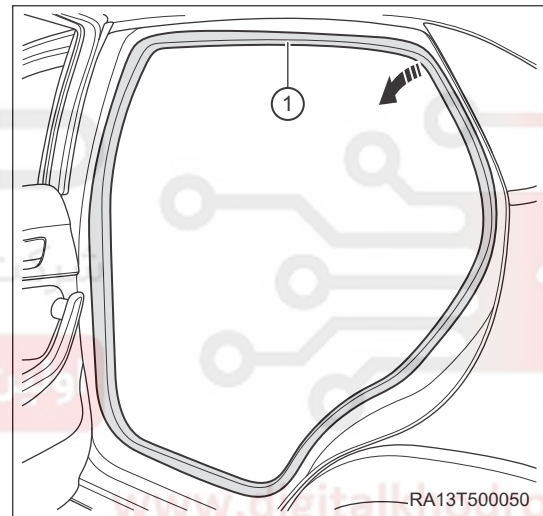
HINT:

Use same procedures for right and left sides.
Procedures listed below are for left side.

CAUTION

- Be sure to wear safety equipment to prevent accidents, when removing rear door opening weatherstrip.
- Appropriate force should be applied when removing rear door opening weatherstrip. Be careful not to operate roughly.
- Try to prevent rear door opening weatherstrip from being damaged, when removing rear door opening weatherstrip.

1. Remove the rear left door opening weatherstrip.
 - a. Remove the rear left doorsill pressure plate assembly (See page 50-8).
 - b. Remove the rear left door opening weatherstrip (1) by gently pulling it along edges from one corner of rear door opening weatherstrip.



Installation

Installation is in the reverse order of removal.

CAUTION

- Rear door opening weatherstrip and body should be fitted with a certain amount of clamping force and the weatherstrip should not fall off easily, when installing rear door opening weatherstrip.
- When installing rear door opening weatherstrip, tap all around uniformly with a rubber hammer to install it in place. The surface of weatherstrip should have no defects, such as tapped dents, deformation and warpage after installation.
- After installing rear door opening weatherstrip, do not remove or install it unless it is necessary. Otherwise the weatherstrip holding force of installation may be reduced.

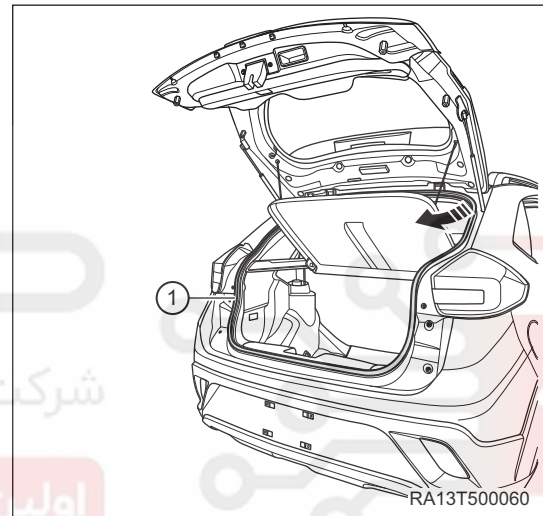
Luggage Compartment Weatherstrip

Removal

CAUTION

- Be sure to wear safety equipment to prevent accidents, when removing luggage compartment weatherstrip.
- Appropriate force should be applied when removing luggage compartment weatherstrip. Be careful not to operate roughly.
- Try to prevent luggage compartment weatherstrip from being damaged, when removing it.

1. Remove the luggage compartment weatherstrip.
 - a. Remove the luggage compartment weatherstrip (1) by gently pulling it along edges from one corner of luggage compartment weatherstrip.



Installation

Installation is in the reverse order of removal.

CAUTION

- Luggage compartment weatherstrip and body should be fitted with a certain amount of clamping force and the weatherstrip should not fall off easily, when installing luggage compartment weatherstrip.
- When installing luggage compartment weatherstrip, tap all around uniformly with a rubber hammer to install it in place. The surface of weatherstrip should have no defects, such as tapped dents, deformation and warpage after installation.
- After installing luggage compartment weatherstrip, do not remove or install it unless it is necessary. Otherwise the weatherstrip holding force of installation may be reduced.

A-pillar Upper Protector Assembly

Removal

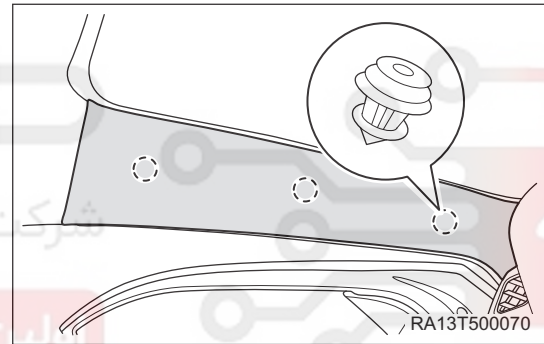
HINT:

Use same procedures for right and left sides.
Procedures listed below are for left side.

CAUTION

- Be sure to wear safety equipment to prevent accidents, when removing A-pillar upper protector assembly.
- Appropriate force should be applied, when removing A-pillar upper protector assembly. Be careful not to operate roughly.
- Prevent interior and body paint from being scratched, when removing A-pillar upper protector assembly.

1. Remove the front left door opening weatherstrip (See page 50-12).
2. Remove the left A-pillar upper protector assembly.
 - a. Using an interior crow plate, pry off 3 clips from left A-pillar upper protector assembly and remove the left A-pillar upper protector assembly.



Installation

Installation is in the reverse order of removal.

CAUTION

- Make sure that damaged clips are replaced and A-pillar upper protector assembly is installed in place, when installing A-pillar upper protector assembly.
- A-pillar upper protector assembly should be well fitted with instrument panel and roof headlining, after installing A-pillar upper protector assembly.
- A-pillar upper protector assembly and front door opening weatherstrip should be fitted closely, after installing A-pillar upper protector assembly.

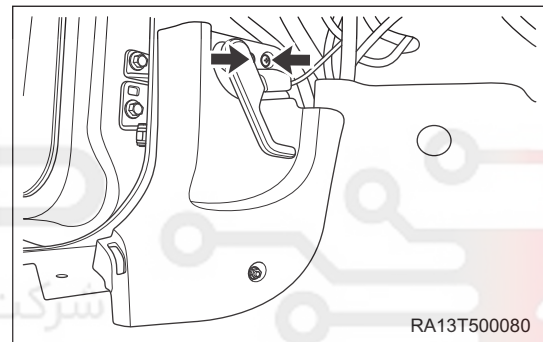
A-pillar Lower Protector Assembly

Removal

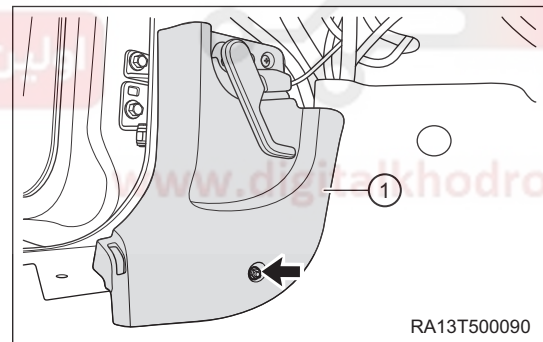
CAUTION

- Be sure to wear safety equipment to prevent accidents, when removing A-pillar lower protector assembly.
- Appropriate force should be applied, when removing A-pillar lower protector assembly. Be careful not to operate roughly.
- Prevent interior and body paint from being scratched, when removing A-pillar lower protector assembly.

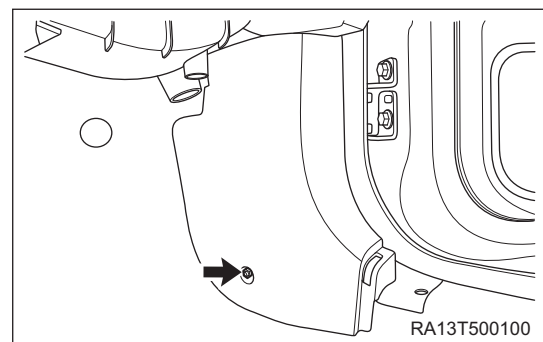
1. Remove the front door opening weatherstrip (See page 50-12).
2. Remove the front doorsill pressure plate assembly (See page 50-7).
3. Remove the left A-pillar lower protector assembly.
 - a. Remove 2 fixing screws (arrow) and hood grip.
(Tightening torque: $1.5 \pm 1 \text{ N}\cdot\text{m}$)



- b. Remove the bolt (arrow) from A-pillar lower protector assembly and remove the left A-pillar lower protector assembly (1).
(Tightening torque: $1.5 \pm 0.5 \text{ N}\cdot\text{m}$)

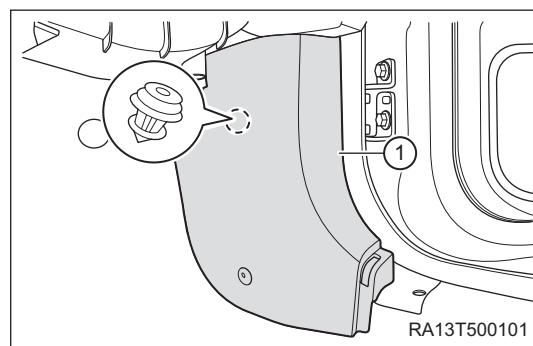


4. Remove the right A-pillar lower protector assembly.
 - a. Remove the fixing bolt (arrow) from A-pillar lower protector assembly.
(Tightening torque: $1.5 \pm 0.5 \text{ N}\cdot\text{m}$)



50 - INTERIOR

- b. Using an interior crow plate, pry off the clip from A-pillar lower protector assembly and remove the right A-pillar lower protector assembly (1).

**Installation**

Installation is in the reverse order of removal.

CAUTION

- Make sure that damaged clips are replaced and A-pillar lower protector assembly is installed in place, when installing A-pillar lower protector assembly.
- A-pillar lower protector assembly and front door opening weatherstrip should be fitted closely, after installing A-pillar lower protector assembly.

دیجیتال خودرو

شرکت دیجیتال خودرو سامانه (مسئولیت محدود)

اولین سامانه دیجیتال تعمیرکاران خودرو در ایران



www.digitalkhodro.com

B-pillar Lower Protector Assembly

Removal

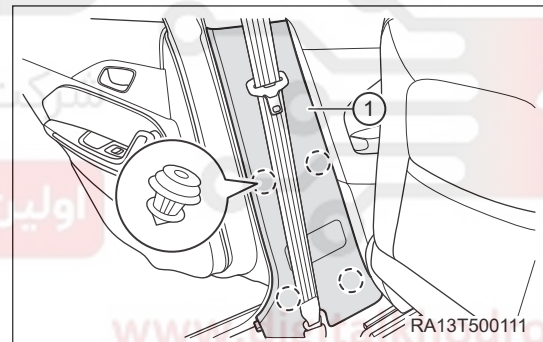
HINT:

Use same procedures for right and left sides.
Procedures listed below are for left side.

CAUTION

- Be sure to wear safety equipment to prevent accidents, when removing B-pillar lower protector assembly.
- Appropriate force should be applied, when removing B-pillar lower protector assembly. Be careful not to operate roughly.
- Prevent interior and body paint from being scratched, when removing B-pillar lower protector assembly.

1. Remove the front left door opening weatherstrip (See page 50-12).
2. Remove the front left doorsill pressure plate assembly (See page 50-7).
3. Remove the rear left door opening weatherstrip (See page 50-12).
4. Remove the rear left doorsill pressure plate assembly (See page 50-8).
5. Remove the left B-pillar lower protector assembly.
 - a. Using an interior crow plate, pry off the clip from B-pillar lower protector assembly and remove the left B-pillar lower protector assembly (1).



Installation

Installation is in the reverse order of removal.

CAUTION

- Make sure that damaged clips are replaced and B-pillar lower protector assembly is installed in place, when installing B-pillar lower protector assembly.
- B-pillar lower protector assembly should be well fitted with front and rear doorsill pressure plate assemblies, after installing B-pillar lower protector assembly.
- B-pillar lower protector assembly and front and rear door opening weatherstrips should be fitted closely, after installing B-pillar lower protector assembly.

B-pillar Upper Protector Assembly

Removal

HINT:

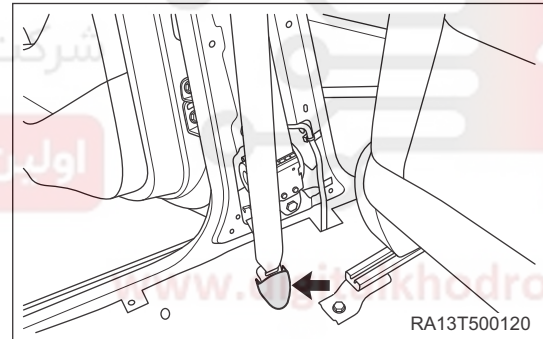
Use same procedures for right and left sides.
Procedures listed below are for left side.

CAUTION

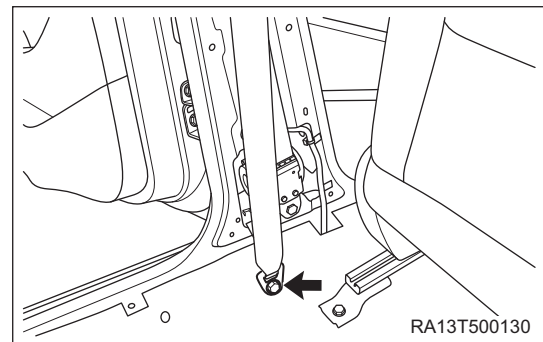
- Be sure to wear safety equipment to prevent accidents, when removing B-pillar upper protector assembly.
- Appropriate force should be applied, when removing B-pillar upper protector assembly. Be careful not to operate roughly.
- Prevent interior and body paint from being scratched, when removing B-pillar upper protector assembly.

1. Remove the front left door opening weatherstrip (See page 50-12).
2. Remove the front left doorsill pressure plate assembly (See page 50-7).
3. Remove the rear left door opening weatherstrip (See page 50-12).
4. Remove the rear left doorsill pressure plate assembly (See page 50-8).
5. Remove the left B-pillar lower protector assembly (See page 50-17).
6. Remove the left B-pillar upper protector assembly.

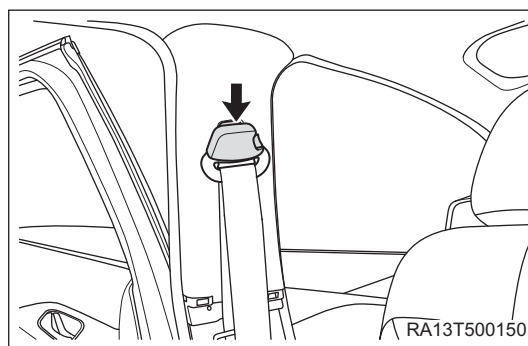
- a. Using a screwdriver wrapped with protective tape, pry off the front seat belt assembly lower bolt cover (arrow).



- b. Remove the fixing bolt (arrow) from the lower part of front seat belt assembly.
(Tightening torque: 50 ± 5 N·m)



- c. Using a screwdriver wrapped with protective tape, pry off the front seat belt assembly upper bolt cover (arrow).



- d. Remove the front seat belt assembly upper bolt (arrow) and B-pillar upper protector assembly.



- e. Using a screwdriver wrapped with protective tape, pry off fixing clip from B-pillar upper protector and remove B-pillar upper protector.

Installation

Installation is in the reverse order of removal.

CAUTION

- B-pillar upper protector assembly should be well fitted with B-pillar lower protector assembly and roof headlining, after installing B-pillar upper protector assembly.
- B-pillar upper protector assembly and front and rear door opening weatherstrips should be fitted closely, after installing B-pillar upper protector assembly.

C-pillar Lower Protector Assembly

Removal

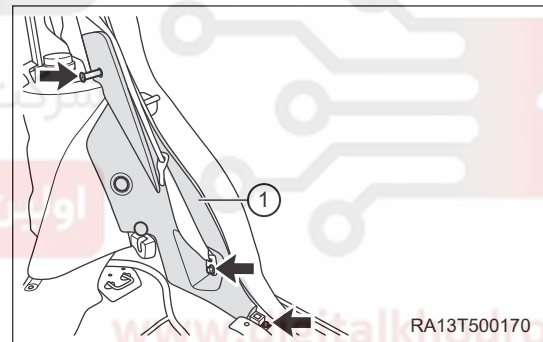
HINT:

Use same procedures for right and left sides.
Procedures listed below are for left side.

CAUTION

- Be sure to wear safety equipment to prevent accidents, when removing C-pillar lower protector assembly.
- Appropriate force should be applied, when removing C-pillar lower protector assembly. Be careful not to operate roughly.
- Prevent interior and body paint from being scratched, when removing C-pillar lower protector assembly.

1. Remove the rear seat cushion assembly (See page 47-15).
2. Remove the rear seatback assembly (See page 47-15).
3. Remove the rear left doorsill pressure plate assembly (See page 50-8).
4. Remove the rear left door opening weatherstrip (See page 50-12).
5. Remove the left C-pillar lower protector assembly.
 - a. Remove 3 fixing screws (arrow) from left C-pillar lower protector assembly.
 - b. Using a screwdriver wrapped with protective tape, pry off 2 circular clips from left C-pillar lower protector assembly and remove left C-pillar lower protector assembly (1).



Installation

Installation is in the reverse order of removal.

CAUTION

- Make sure that damaged clips are replaced and C-pillar lower protector assembly is installed in place, when installing C-pillar lower protector assembly.
- C-pillar lower protector assembly should be well fitted with C-pillar upper protector assembly and rear doorsill pressure plate assembly, after installing C-pillar lower protector assembly.
- C-pillar lower protector assembly and rear door opening weatherstrip should be fitted closely, after installing C-pillar lower protector assembly.

C-pillar Upper Protector Assembly

Removal

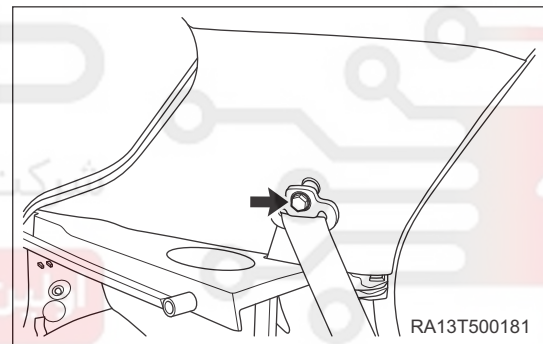
HINT:

Use same procedures for right and left sides.
Procedures listed below are for left side.

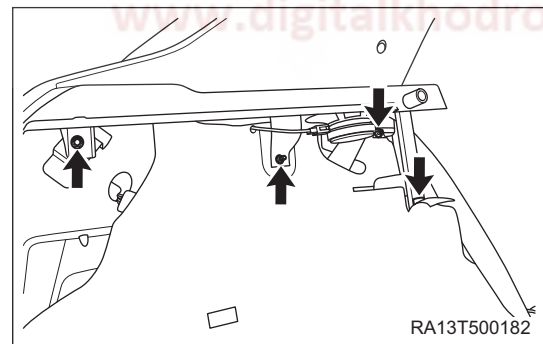
CAUTION

- Be sure to wear safety equipment to prevent accidents, when removing C-pillar upper protector assembly.
- Appropriate force should be applied, when removing C-pillar upper protector assembly. Be careful not to operate roughly.
- Prevent interior and body paint from being scratched, when removing C-pillar upper protector assembly.

1. Remove the rear seat cushion assembly (See page 47-15).
2. Remove the rear left door opening weatherstrip (See page 50-12).
3. Remove the left C-pillar lower protector assembly (See page 50-20).
4. Remove the rear left seat belt upper fixing bracket.



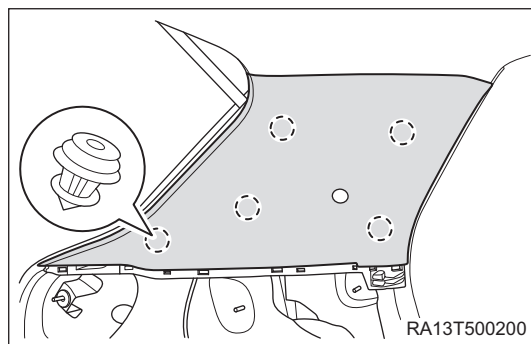
5. Remove the rear left speaker cover assembly.
 - a. Remove 4 fixing screws from rear left speaker cover assembly.



- b. Disconnect horn connector 5.
- c. Remove the horn bracket assembly.

50 - INTERIOR

6. Remove the left C-pillar upper protector assembly.
 - a. Using an interior crow plate, pry off the clips from C-pillar upper protector assembly.
 - b. Remove the left C-pillar upper protector assembly



Installation

Installation is in the reverse order of removal.

CAUTION

- Make sure that damaged clips are replaced and C-pillar upper protector assembly is installed in place, when installing C-pillar upper protector assembly.
- C-pillar upper protector assembly should be well fitted with tonneau cover assembly and roof headlining, after installing C-pillar upper protector assembly.
- C-pillar upper protector assembly and rear door opening weatherstrip should be fitted closely, after installing C-pillar upper protector assembly.

شرکت دیجیتال خودرو سامانه (مسئولیت محدود)

اولین سامانه دیجیتال تعمیرکاران خودرو در ایران

021 62 99 92 92

www.digitalkhodro.com

Sun Visor Assembly

Removal

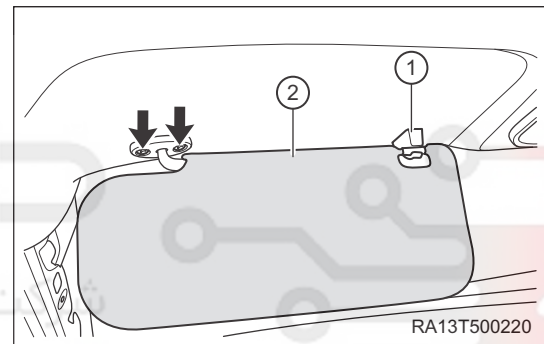
HINT:

Use same procedures for right and left sides.
Procedures listed below are for left side.

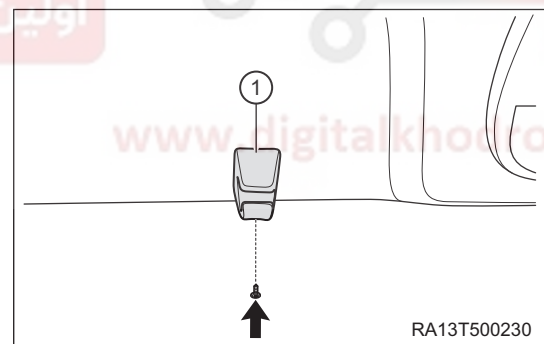
CAUTION

- Be sure to wear safety equipment to prevent accidents, when removing the sun visor assembly.
- Appropriate force should be applied, when removing sun visor assembly. Be careful not to operate roughly.
- Try to prevent interior and roof from being damaged, when removing sun visor assembly.

1. Remove the left sun visor assembly.
 - a. Disengage one side of the sun visor assembly from holder (1).
 - b. Remove 2 fixing screws (arrow) from sun visor assembly and remove the left sun visor assembly (2).
(Tightening torque: 9 ± 1 N·m)



2. Remove the left sun visor holder.
 - a. Remove the fixing screw (arrow) from sun visor holder.
(Tightening torque: 5 ± 1 N·m)
 - b. Using a screwdriver wrapped with protective tape, pry off the left sun visor holder (1).



Installation

Installation is in the reverse order of removal.

Passenger Grip Assembly

Removal

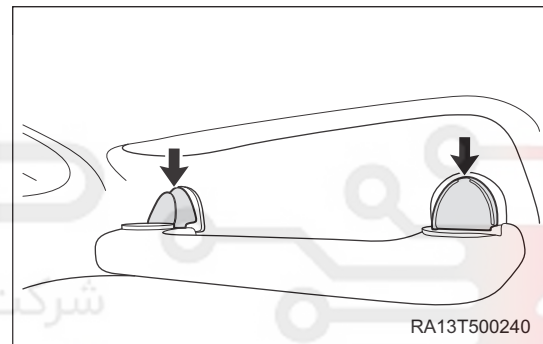
HINT:

Use same procedures for rear left/rear right and front right sides.
Procedures listed below are for front right side.

CAUTION

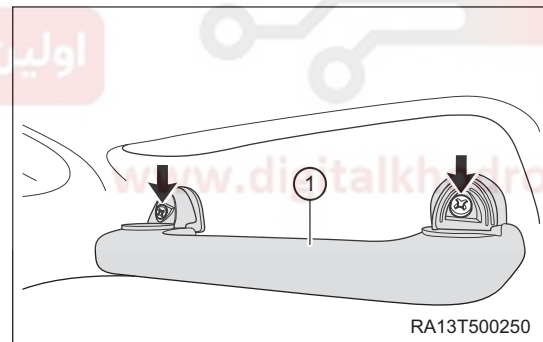
- Be sure to wear safety equipment to prevent accidents, when removing passenger grip assembly.
- Appropriate force should be applied, when removing the passenger grip assembly. Be careful not to operate roughly.
- Try to prevent interior and roof from being damaged, when removing passenger grip assembly.

1. Remove the front right passenger grip assembly.
 - a. Using a screwdriver wrapped with protective tape, loosen the passenger grip covers (arrow).



- b. Remove 2 fixing screws (arrow) from passenger grip assembly, and remove the front right passenger grip assembly (1).

(Tightening torque: 4 ± 1 N·m)



Installation

Installation is in the reverse order of removal.

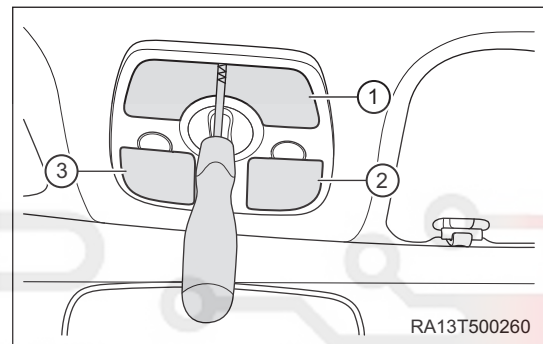
Roof Assembly

Removal

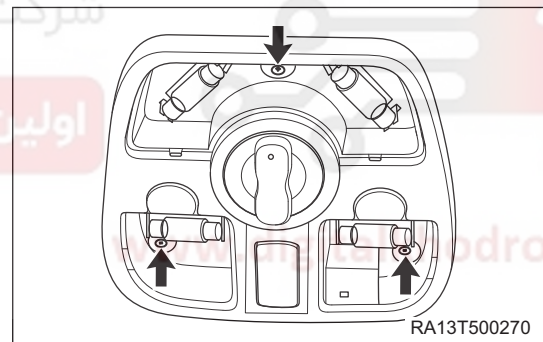
CAUTION

- Be sure to wear safety equipment to prevent accidents, when removing roof assembly.
- Appropriate force should be applied, when removing roof assembly. Be careful not to operate roughly.
- Try to prevent interior and body paint from being scratched, when removing roof assembly.

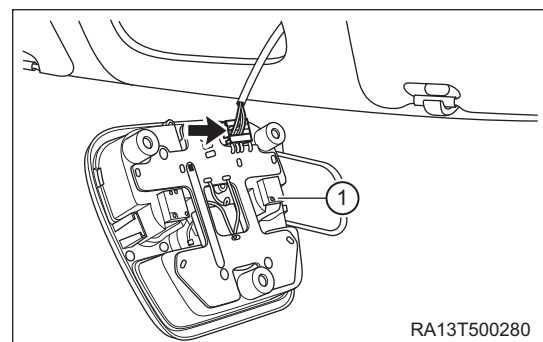
1. Turn off all electrical equipment and the ignition switch.
2. Disconnect the negative battery cable.
3. Remove the interior front dome light assembly.
 - a. Using a screwdriver wrapped with protective tape, remove the interior front dome light cover (1), (2) and (3).



- b. Remove 3 fixing screws (arrow) from interior front dome light assembly.
(Tightening torque: $2.5 \pm 0.5 \text{ N}\cdot\text{m}$)



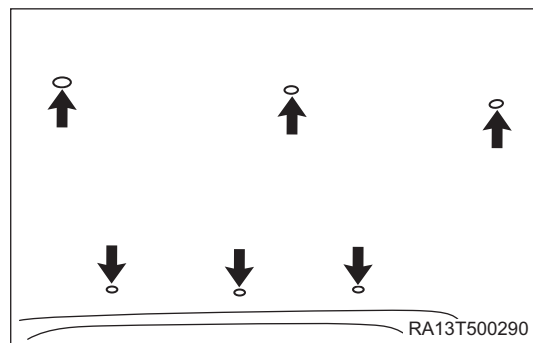
- c. Disconnect the interior front dome light connector (arrow), and remove the interior front dome light assembly (1).



4. Remove the sun visor assembly (See page 50-23).
5. Remove the passenger grip assembly (See page 50-24).
6. Remove the front door opening weatherstrip (See page 50-11).
7. Remove the rear door opening weatherstrip (See page 50-12).
8. Remove the A-pillar upper protector assembly (See page 50-14).

50 - INTERIOR

9. Remove the B-pillar upper protector assembly (See page 50-18).
10. Remove the C-pillar upper protector assembly (See page 50-21).
11. Remove the roof assembly.
 - a. Remove 6 clips (arrow) and roof assembly.

**Installation**

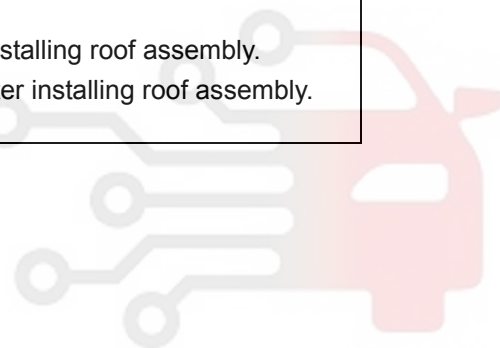
Installation is in the reverse order of removal.

CAUTION

- Make sure that damaged clips are replaced and roof assembly is installed in place, when installing roof assembly.
- Roof assembly and pillar upper protectors should be fitted closely, when installing roof assembly.
- Roof assembly and door opening weatherstrips should be fitted closely, after installing roof assembly.

شرکت دیجیتال خودرو سامانه (مسئولیت محدود)

اولین سامانه دیجیتال تعمیرکاران خودرو در ایران



www.digitalkhodro.com

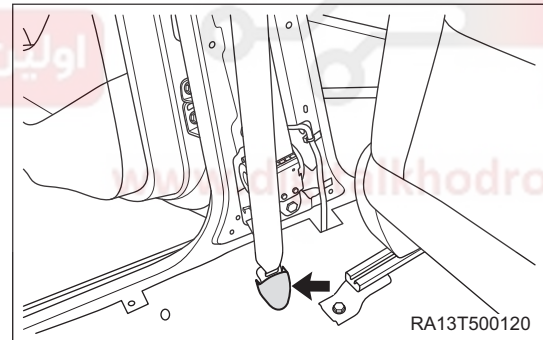
Front Floor Carpet Assembly

Removal

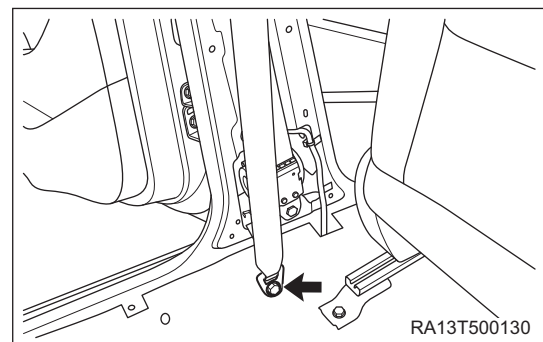
CAUTION

- Be sure to wear safety equipment to prevent accidents, when removing front floor carpet assembly.
- Appropriate force should be applied, when removing front floor carpet assembly. Be careful not to operate roughly.
- Try to prevent interior and body paint from being scratched, when removing front floor carpet assembly.

1. Turn off all electrical equipment and the ignition switch.
2. Disconnect the negative battery cable.
3. Remove the auxiliary fascia console assembly (See page 46-8).
4. Remove the front seat assembly (See page 47-7).
5. Remove the rear seat cushion assembly (See page 47-15).
6. Remove the front door opening weatherstrip (See page 50-11).
7. Remove the front doorsill pressure plate assembly (See page 49-6).
8. Remove the rear door opening weatherstrip (See page 50-12).
9. Remove the rear doorsill pressure plate assembly (See page 50-8).
10. Remove the A-pillar lower protector assembly (See page 50-15).
11. Remove the B-pillar lower protector assembly (See page 50-17).
12. Loosen the lower part of front seat belt assembly (take left side as an example).
 - a. Using a screwdriver wrapped with protective tape, pry off the front seat belt assembly lower bolt cover (arrow).



- b. Remove the fixing bolt (arrow) from the lower part of front seat belt assembly and loosen the lower part of front seat belt assembly.
(Tightening torque: 50 ± 5 N·m)

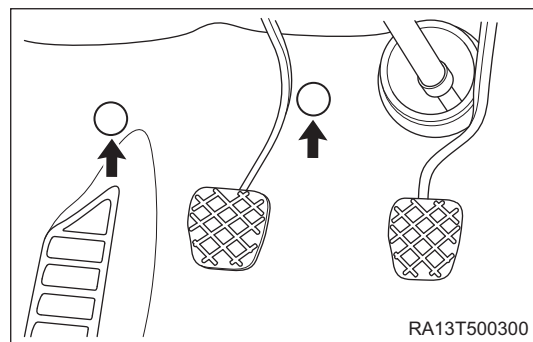


50 - INTERIOR

13. Remove the front floor carpet assembly.

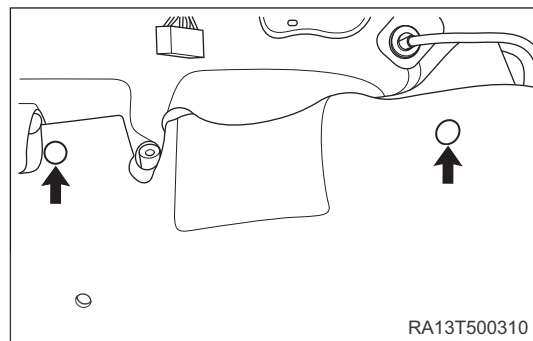
- a. Remove the fixing nut (arrow) from front left side of front floor carpet assembly.

(Tightening torque: 5 ± 1 N·m)



- b. Remove the fixing nut (arrow) from the front right side of front floor carpet assembly and remove the front floor carpet assembly.

(Tightening torque: 5 ± 1 N·m)



Installation

Installation is in the reverse order of removal.

CAUTION

- Always pay attention to the flatness around front floor carpet assembly and the routing of relative body wire harness, when installing front floor carpet assembly.
- Spread front floor carpet assembly along the bottom shape, with no obvious bumps and unevenness found. Expose installation holes, and front floor carpet should be firmly abutted against the bottom.

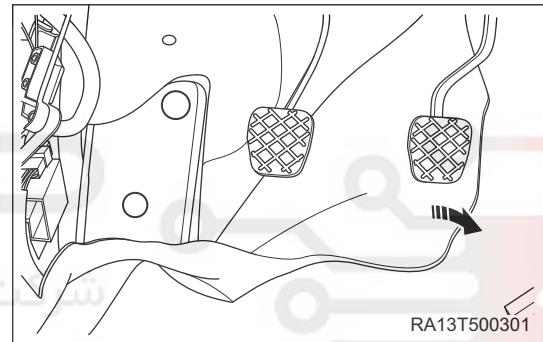
Driver Side Foot Rest Bracket

Removal

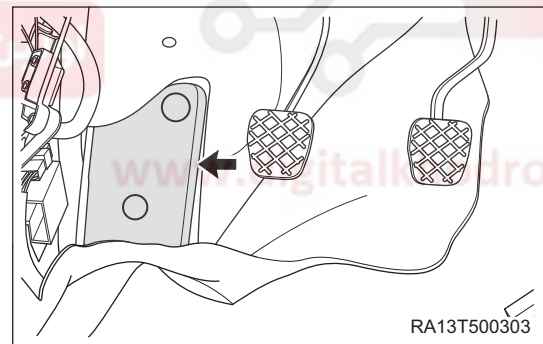
CAUTION

- Be sure to wear safety equipment to prevent accidents, when removing driver side foot rest bracket.
- Appropriate force should be applied when removing driver side foot rest bracket. Be careful not to operate roughly.
- Try to prevent interior and body paint from being scratched, when removing driver side foot rest bracket.

1. Remove the front door opening weatherstrip (See page 50-11).
2. Remove the front doorsill pressure plate assembly (See page 50-7).
3. Remove the fixing nut from front left side of front floor carpet assembly (See page 50-28).
4. Remove the driver side foot rest bracket.
 - a. Lift a left corner of carpet assembly in the direction of arrow.



- b. Remove the driver side foot rest bracket (arrow).



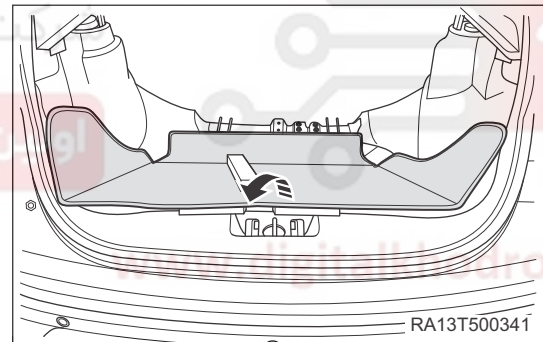
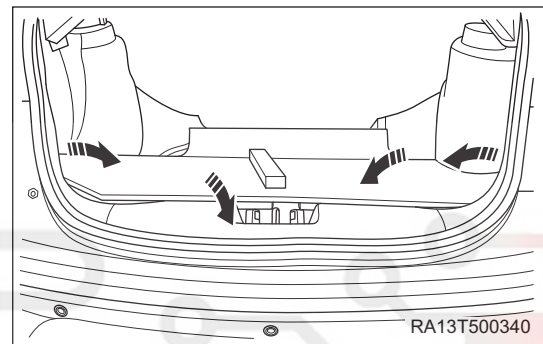
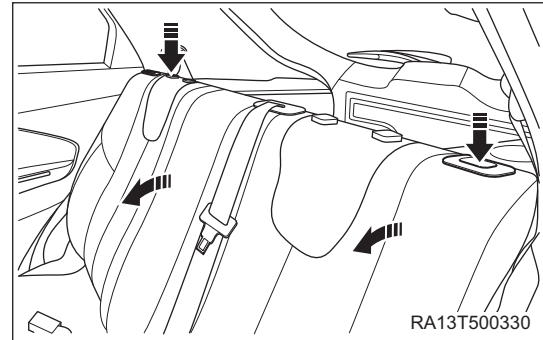
Installation

Installation is in the reverse order of removal.

Luggage Compartment Carpet Assembly

Removal

1. Remove the luggage compartment carpet assembly.
 - a. Pull down the rear seat in the direction of arrow as shown in the illustration.
 - b. Fold the both side corners of luggage compartment carpet in half.
 - c. Lift up the band in center of the rear part of luggage compartment carpet and remove the luggage compartment carpet assembly by pulling it outward.



Installation

Installation is in the reverse order of removal.

CAUTION

- Make sure that the left and right sides of luggage compartment carpet are fitted in place, when installing luggage compartment carpet assembly.
- Adhesive strip and rear seat should be fitted closely, after installing luggage compartment carpet assembly.

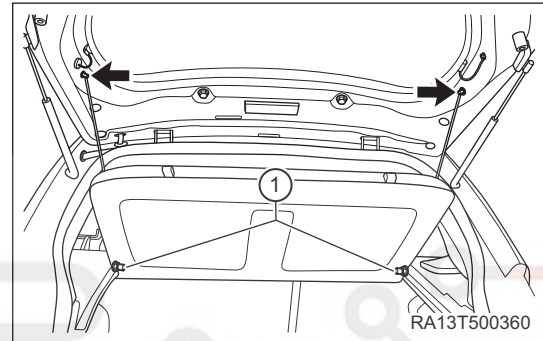
Tonneau Cover Assembly

Removal

CAUTION

- Be sure to wear safety equipment to prevent accidents, when removing tonneau cover assembly.
- Appropriate force should be applied, when removing tonneau cover assembly. Be careful not to operate roughly.
- Try to prevent interior and body paint from being scratched, when removing tonneau cover assembly.

1. Remove the tonneau cover assembly.
 - a. Remove the adjuster rope (arrow) from two ends of tonneau cover assembly.
 - b. Remove the fixing clips (1) from tonneau cover assembly.



- c. Remove the tonneau cover assembly.

Installation

Installation is in the reverse order of removal.

CAUTION

- Make sure that damaged clips are replaced and tonneau cover assembly is installed in place, when installing tonneau cover assembly.

Luggage Compartment Wheel House Assembly

Removal

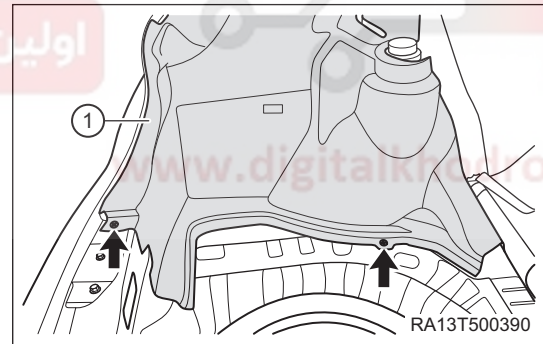
HINT:

Use same procedures for right and left sides.
Procedures listed below are for left side.

CAUTION

- Be sure to wear safety equipment to prevent accidents, when removing luggage compartment wheel house assembly.
- Appropriate force should be applied, when removing luggage compartment wheel house assembly. Be careful not to operate roughly.
- Try to prevent interior and body paint from being scratched, when removing luggage compartment wheel house assembly.

1. Turn off all electrical equipment and the ignition switch.
2. Disconnect the negative battery cable.
3. Remove the luggage compartment carpet assembly (See page 50-30).
4. Remove the luggage compartment weatherstrip (See page 50-13).
5. Remove the luggage compartment doorsill pressure plate assembly (See page 50-10).
6. Remove the rear left C-pillar lower protector assembly (See page 50-20).
7. Remove the rear left speaker cover assembly (See page 39-37).
8. Remove the luggage compartment wheel house assembly.
 - a. Remove the fixing screws (arrow) from luggage compartment wheel house assembly.



- b. Remove 6 clips (arrow) from luggage compartment wheel house assembly and remove the luggage compartment wheel house assembly (1).

Installation

Installation is in the reverse order of removal.

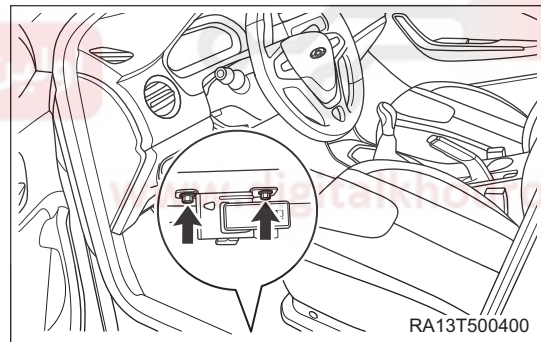
Fuel Filler Door Cable Assembly

Removal

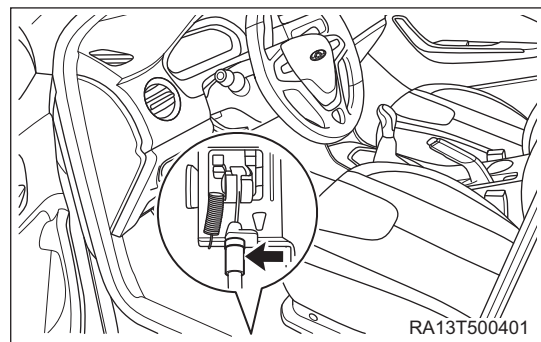
CAUTION

- Be sure to wear safety equipment to prevent accidents, when removing fuel filler door cable assembly.
- Appropriate force should be applied, when removing fuel filler door cable assembly. Be careful not to operate roughly.
- Try to prevent interior and body paint from being scratched, when removing fuel filler door cable assembly.

1. Turn off all electrical equipment and the ignition switch.
2. Disconnect the negative battery cable.
3. Remove the front left door opening weatherstrip (See page 50-11).
4. Remove the front left doorsill pressure plate assembly (See page 50-7).
5. Remove the left A-pillar lower protector assembly (See page 50-13).
6. Remove the rear left door opening weatherstrip (See page 50-12).
7. Remove the rear doorsill pressure plate assembly (See page 50-8).
8. Remove the left B-pillar lower protector assembly (See page 50-17).
9. Remove the luggage compartment carpet assembly (See page 50-30).
10. Remove the luggage compartment wheel house assembly (See page 50-32).
11. Remove the fuel filler door cable assembly.
 - a. Remove 2 fixing screws (arrow) from fuel tank cap opener assembly.
(Tightening torque: 4 ± 1 N·m)

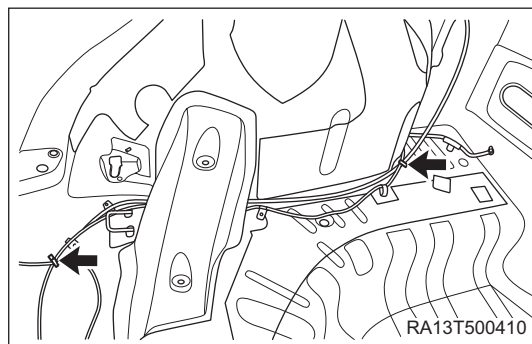


- b. Disengage the fuel tank cap cable from slot (arrow) to separate the fuel tank cap cable from fuel tank cap opener assembly.

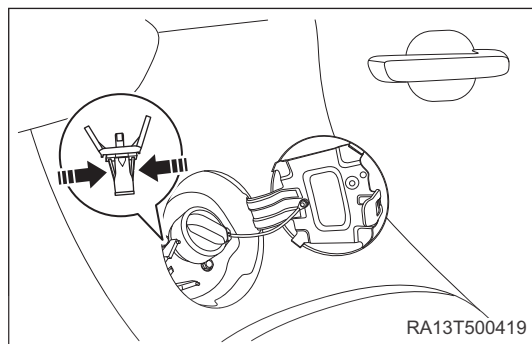


50 - INTERIOR

- c. Cut off the wire harness band.



- d. Press the claws in the direction of arrow as shown in the illustration, and remove the fuel filler door cable assembly.



Installation

Installation is in the reverse order of removal.

CAUTION

- Check that fuel filler door can open normally, after installing fuel filler door cable.